

VICTORIA PEDESTAL LAVATORY

Cat. No.
3-75X



Faucet not included

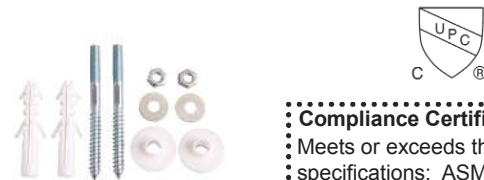
W: 26"
D: 21-3/4"
Total Height: 36-1/2"
Height to top of sink: 33-7/8"
Flange: 1-5/8"

Interior Dimensions:

Basin Interior: 19-1/4"W x 14-1/4"D
Basin Depth: 6-1/8"
Mount bolts height: 32"
Mount holes cc: 11"
Faucet and spout holes: 1-3/8"

Features:

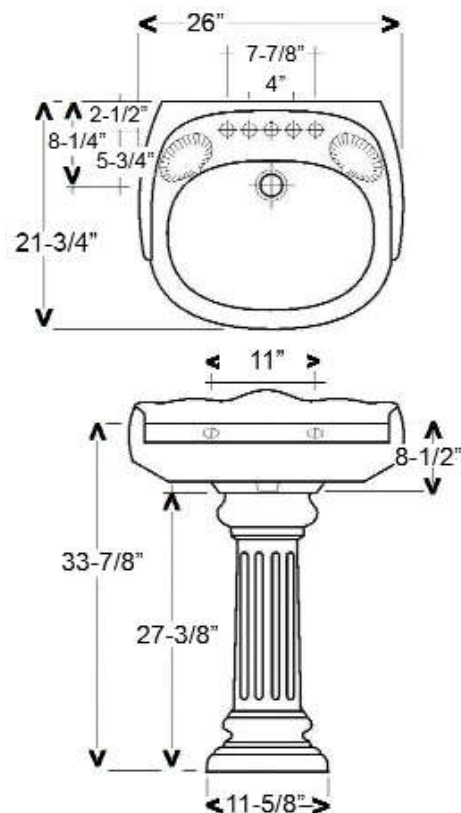
- ▶ Made of Vitreous China
- ▶ Available for 4" centerset or 8" widespread
- ▶ Pre-drilled overflow hole
- ▶ IAPMO certified
- ▶ For ease installation order **Hangers** (pair) or **Bracket** (one)
- ▶ Mounting Hardware Included



Colors:

WH White
BQ Bisque

Compliance Certification
Meets or exceeds the following specifications: ASME A112.19.2 2013 and CSA B45.1-13 for ceramic plumbing fixtures



Dimensions of fixture are nominal and may vary within the range of tolerances established by ASME Standard A112.19.2-2013. Dimensions and specifications subject to change without notice.