

Technical Specification

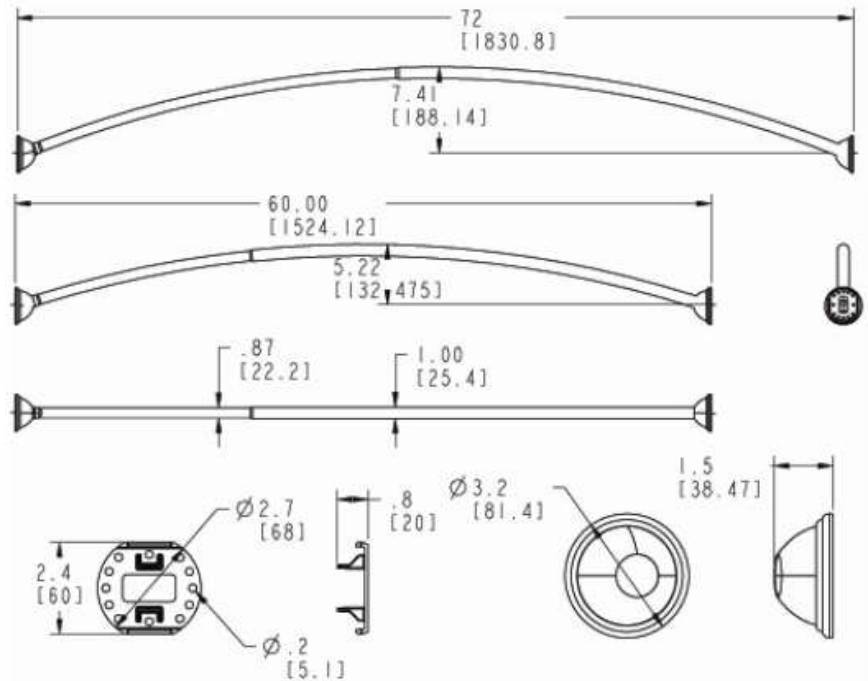
Adjustable-Length Curved Shower Rod

CSR2160

Stock Numbers:

- ❑ **CSR2160BN – Adjustable-Length Curved Shower Rod**
Brushed Nickel Finish
Adjusts to fit shower enclosures between 54-inches and 72-inches
- ❑ **CSR2160CH – Adjustable-Length Curved Shower Rod**
Chrome Finish
Adjusts to fit shower enclosures between 54-inches and 72-inches
- ❑ **CSR2160OWB – Adjustable-Length Curved Shower Rod**
Old World Bronze Finish
Adjusts to fit shower enclosures between 54-inches and 72-inches

Dimensions:



Materials:

Brushed Nickel and Chrome Curved Shower Rods are made of .028 (22 gauge) seamless type 304 stainless steel. **Old World Bronze Curved Shower Rods** are made of .028 (22 gauge) seamless type 430 stainless steel. **Brushed Nickel and Chrome Decorative Covers** are stamped from .020 type 304 stainless steel. **Old World Bronze Decorative Covers** are stamped from .020 type 443 stainless steel. **Pivoting Mounting Post** is made from powder-coated zinc. The **screw** in the pivoting post assembly is made from stainless steel. **Rod connector** is made from Polyethylene. **Decorative Cover Insert Rings** are made from POM.

Stock Number: _____ Adjustable-Length Curved Shower Rod By Creative Specialties

Technical Specification

Double Shower Curtain Rings

SR2201

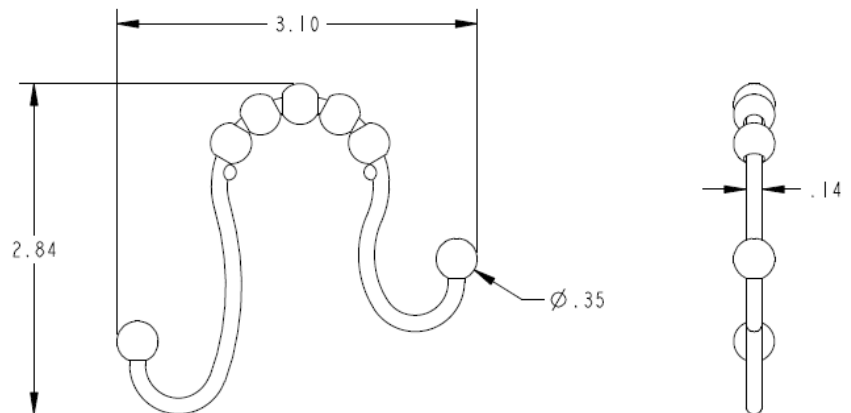
Stock Numbers:

- ❑ **SR2201BN – Double Shower Curtain Rings**
Brushed Nickel Finish
- ❑ **SR2201CH – Double Shower Curtain Rings**
Chrome Finish
- ❑ **SR2201OWB – Double Shower Curtain Rings**
Old World Bronze Finish

Materials:

Double Shower Curtain Ring is constructed of steel.

Dimensions:



Installation Instructions:

1. Hang all 12 rings on the shower rod. (Make sure the high end of the ring is facing the outside of the tub)
2. Thread the ball caps through the open end of the shower liner. The shower liner should be on the low end of the ring facing the inside of the tub.
3. Thread the ball caps through the open end of the decorative shower curtain. The shower curtain should be on the high end of the ring facing the outside of the tub.

Cleaning Instructions:

To preserve the fine finish of this product, clean only with a soft damp cloth. Dry well. Do not use commercial or abrasive cleaners.

Stock Number: _____ **Double**
Curtain Shower Rings By Creative Specialties

25300 AL MOEN DRIVE • NORTH OLMSTED, OH 44070
CORPORATE HEADQUARTERS: (800) 321-8809 • FAX: (800) 848-6636
INTERNATIONAL: (440) 962-2000 • FAX: (440) 962-2726
CUSTOMER SERVICE (USA): 800-882-0116 • FAX: (888) 379-2720
WWW.MOEN.COM

©Copyright Creative Specialties International

Literature #1584

