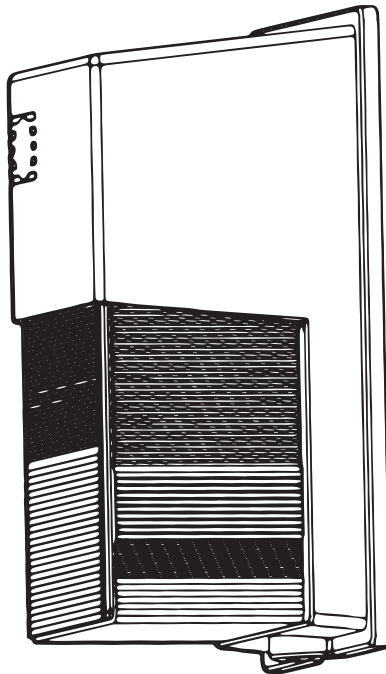


USE AND CARE GUIDE

LYRA LED WALLPACK



Questions, problems, missing parts? Before returning to the store,
call Commercial Electric Customer Service
9 a.m. - 5 p.m., EST, Monday - Friday

1-844-548-3776

HOMEDEPOT.COM

THANK YOU

We appreciate the trust and confidence you have placed in Commercial Electric through the purchase of this LED wallpack. We strive to continually create quality products designed to enhance your home. Visit us online to see our full line of products available for your home improvement needs. Thank you for choosing Commercial Electric!

Table of Contents

Safety Information2
Warranty.....2
Pre-Installation.....3
Preparing for Installation5

Installation.....5
Care and Cleaning 11
Troubleshooting 11

Safety Information

IMPORTANT

THIS PRODUCT MUST BE INSTALLED IN ACCORDANCE WITH THE APPLICABLE NATIONAL ELECTRICAL CODE AND LOCAL BUILDING CODES BY A PERSON FAMILIAR WITH THE CONSTRUCTION AND OPERATION OF THE PRODUCT AND THE HAZARDS INVOLVED.

PRECAUTIONS

- Please read and understand this entire manual before attempting to assemble, install, or operate this light fixture.
- This light fixture requires a 120–277Volt AC power source.
- Some codes require installation by a qualified electrician.
- This light fixture must be properly grounded.
- Make sure connections are secure using wire nuts, crimp-on lugs or other UL approved connecting devices.
- This light fixture should be installed outdoors on a wall.
- This product may contain chemicals known to be hazardous. Thoroughly wash hands after installing, handling, cleaning or otherwise touching the product.



WARNING: Before installation or servicing of the fixture, turn the power OFF at the circuit breaker or fuse. Place tape over the circuit breaker switch and verify power is OFF at the light fixture.



WARNING: Risk of fire. Keep the light fixture at least 3 in. (76 mm) from combustible materials.



CAUTION: Burn hazard. Allow the light fixture to cool before touching.

NOTICE: For dimming, connect to 0–10V dimming switch.

NOTICE: FCC Regulations state that any unauthorized changes or modifications to this equipment not expressly approved by the manufacturer could void the user's authorization to operate this equipment.



IMPORTANT: The device is tested and found to comply with Part 15 of the FCC Rules. Operation is subject to two conditions: (1) This device may not cause harmful interference and, (2) this device must accept any interference received, including any interference that may cause undesired operation.

This equipment has been tested and found to comply with the limits for a Class A digital device, pursuant to part 15 of the FCC rules. These limits are designed to provide reasonable protection against harmful interference when the equipment is operated in a commercial environment. The equipment generates, uses, and can radiate radio frequency energy and, if not installed and used in accordance with the instruction manual, may cause harmful interference to radio communications. Operation of the equipment in a residential area is likely to cause harmful interference in which case the user will be required to correct the interference at his own expense.

Warranty

This is a limited warranty offered by the manufacturer for a period of five years from the date of purchase to its customers. The manufacturer warrants to customers that the products will be free from defects in material and workmanship. The obligation of the manufacturer under this warranty is limited to the provision of replacement of products and is extended to the original purchaser of the product on presenting valid purchase receipt or other proof of date of original purchase acceptable to the manufacturer. The receipt is required for rendering the warranty performance. Any warranty claims without original proof of purchase would not be accepted.

It should be noted that the warranty does not apply to the manufacturer products that have been altered or repaired by unauthorized personnel, have been subjected to neglect, abuse, misuse or accident or damages caused during shipping. Any other products not manufactured by the manufacturer which have been supplied, installed and/or used in conjunction with the manufacturer products are not covered under this warranty. Any damages caused by replacements bulbs, LEDs or corrosion or discoloration of brass components are also not covered by this warranty.

Warranty (continued)

LIMITATION OF LIABILITY

In no event shall the manufacturer be liable for indirect, consequential, incidental or special damages, or lost profits. The manufacturer is not liable for any claims or damage arising out of or connected with the manufacture, sale, delivery, use, maintenance and repair or modification of the manufacturer products, or supply of any replacement parts that exceed the purchase price of the manufacturer products giving rise to a claim. Labor charges to remove or install the fixtures will not be accepted.

TO CLAIM

Please contact The Home Depot customer service at 1-844-548-3776 or email support@homedepot.com and include your name, address and contact number, along with a copy of the purchase receipt and a brief description of the problem.

Pre-Installation

PLANNING INSTALLATION

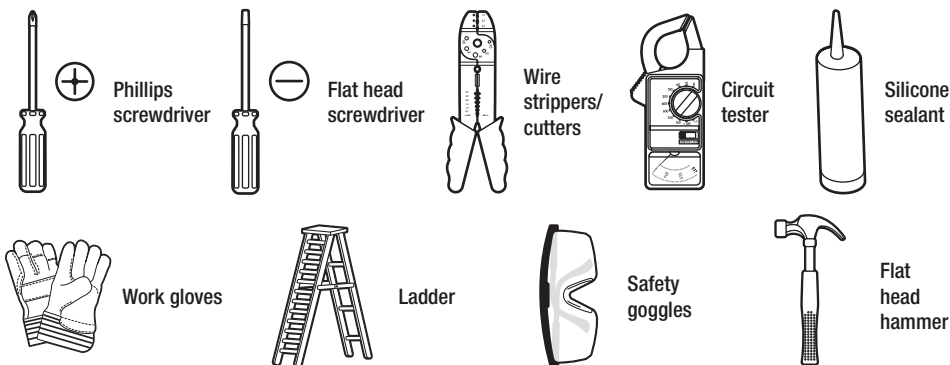
Before installing the light fixture, ensure that all parts are present. Compare parts with the Hardware Included and Package Contents sections. If any part is missing or damaged, do not attempt to assemble, install, or operate this light fixture.

Estimated installation time: 20 minutes

SPECIFICATIONS

| | |
|------------------------------------|---|
| Lumens (Light Output) | 2500 Lumens |
| Watts (Power Consumption) | 20 Watts LED |
| Replaces | 70 Watt Metal Halide |
| Lumens/Watts (Efficacy) | 125 Lumens per watt |
| Power Requirements (Input Voltage) | 120–277VAC |
| Light Color (CCT) | 4000 Kelvins (Bright White) |
| Dimmable | Dimming (0–10V dimming switch) |
| Operating Modes | Dusk-to-Dawn: Automatically turns light fixture ON during night and OFF during day. Switch-Controlled: Flip switch to turn light fixture ON and OFF. <i>Use included light sensor cover on fixture's light sensor to utilize this mode setting.</i> |

TOOLS REQUIRED



Pre-Installation (continued)

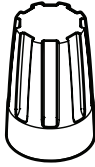
HARDWARE INCLUDED



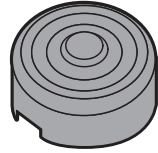
NOTE: Hardware not shown to actual size.



AA



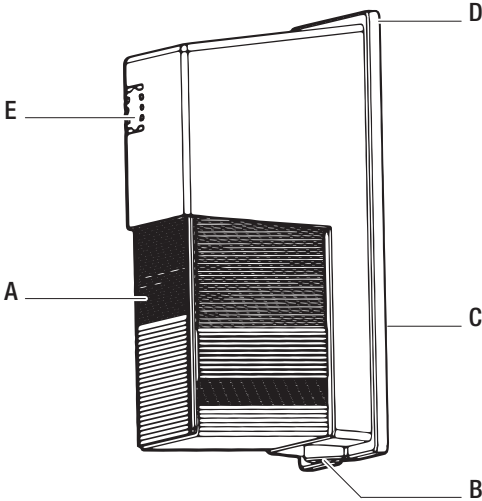
BB



CC

| Part | Description | Quantity |
|------|---|----------|
| AA | #8-32x3/4 in. Phillips mounting bracket screw | 2 |
| BB | Wire nut | 3 |
| CC | Photocell screw-on black cap | 1 |

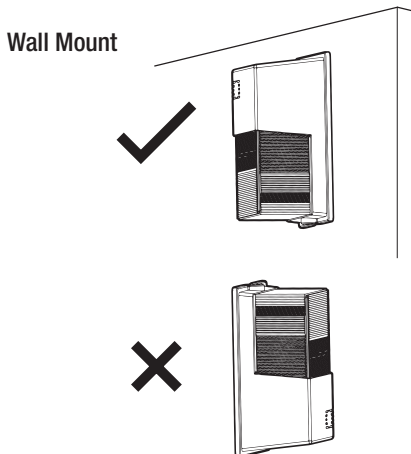
PACKAGE CONTENTS



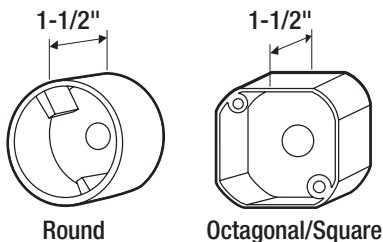
| Part | Description | Quantity |
|------|-------------------------------------|----------|
| A | Light fixture cover | 1 |
| B | Conduit entry plug | 1 |
| C | Mounting base screw (pre-installed) | 2 |
| D | Mounting base plate | 1 |
| E | Photocell lens | 1 |

Preparing for Installation

- The fixture can be mounted in the following two ways:
 - **Junction Box Mount:** Use a junction box to mount the fixture.
 - **Surface Conduit Mount:** The fixture can also be mounted directly on a wall surface using conduit entry.
- To ensure proper dusk-to-dawn operation, ensure the photocell is oriented at the top for a wall mount installation, in an area that receives daylight. Do not place too close to reflective surfaces.
- When installing two fixtures on one switch, make sure the switch is rated for at least a 1A inductive load.
- If dimming, use with 0–10V dimming switch.



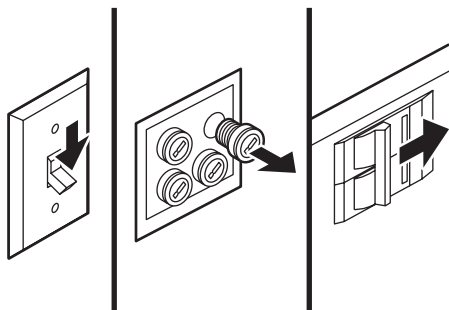
NOTE: The mounting base (D) mounts to recessed mounted standard junction boxes or to the surface directly. Junction box must be at least 1-1/2 in. in depth for proper installation for a recessed mount application.



Installation

1 Turning off the electricity

- Verify the wall switch is in the OFF position.
- Turn OFF power at the circuit breaker that supplies power to the outlet box you are working on.
- For screw-in type fuses unscrew the fuse that supplies power to the outlet box you are working on.



Installation (continued)

2 Removing the mounting base plate



NOTE: The mounting plate screws (C) come pre-assembled on the light fixture.

- Loosen the two mounting base screws (C) using a Phillips screwdriver and remove the cover (A). (Fig. 1)
- Remove the LED board (1) and photocell holding plate (2) from the base plate (D) by loosening the two small screws (3). (Fig. 2)



CAUTION: Do NOT touch the LED and photocell lens (E) inside the fixture.

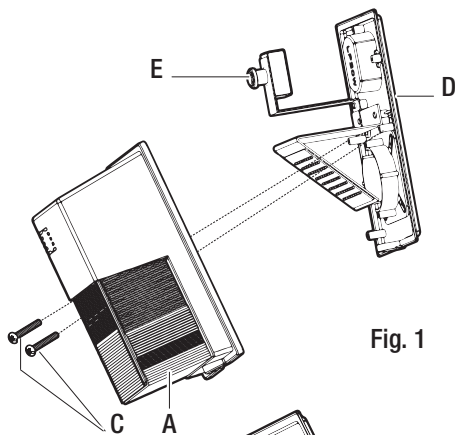


Fig. 1

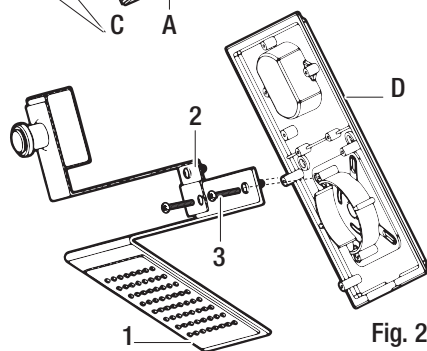
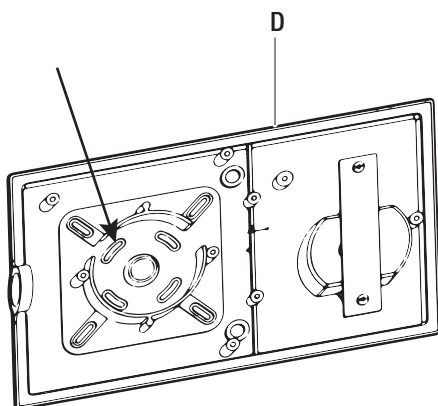


Fig. 2

3 Knocking out holes on the mounting base plate

- Measure the distance of the mounting threaded holes on the junction box and find the corresponding knock-out holes in the fixture's mounting base plate (D).
- Use a hammer and a flat head screwdriver (or power drill with drill bit) to knock out two (or four) holes in the mounting base plate (D) in the desired location to align properly with the junction box.



Installation (continued)

4 Making the electrical connections

Junction Box

- Follow the wiring instructions given below to make the electrical connections. (Fig. 1).

Surface Conduit Mount

- Remove the conduit plug (B) from the bottom of the fixture using a drill and thread the wires from the conduit (1) inside the fixture through the hole.
- Make wiring connections inside the fixture as per the instructions given below. (Fig. 2).

ON/OFF Wiring (Non Dimming) Method:

- If necessary, strip 3/8 in. of insulation from the junction box or fixture (A) wires (Fig. 3).
- Connect the fixture black wire to the supply black wire ((+) line), and fixture white wire to the supply white wire (-) common) by twisting the exposed wires together and using the wire nuts (BB). Ensure there are no loose wires.
- Connect the supply ground wire to the green fixture ground wire by twisting the exposed wires together and using the wire nuts (BB).

0-10V Dimmable Wiring Method:

- Connect the fixture black wire to the supply black wire ((+) line), and fixture white wire to the supply white wire (-) common) by twisting the exposed wires together and using the wire nuts (BB). Ensure there are no loose wires.
- Connect the supply ground wire to the green fixture ground wire by twisting the exposed wires together and using the wire nuts (BB).
- Connect the purple wire to the (V+) DIM wire and the gray wire with (V-) DIM wire by twisting the exposed wire together.

NOTE: Hold stripped ends near each other and align any frayed strands (do not twist wires).

Push the wires into wire nut (BB) and use your fingers to twist the wire nut clockwise until tight. Check for tightness by pulling wires.

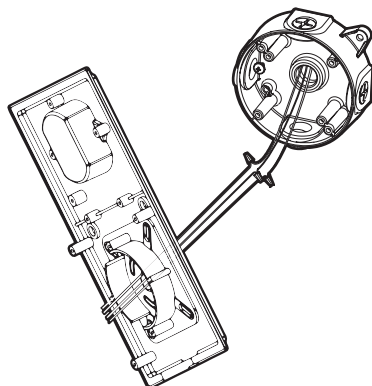


Fig. 1

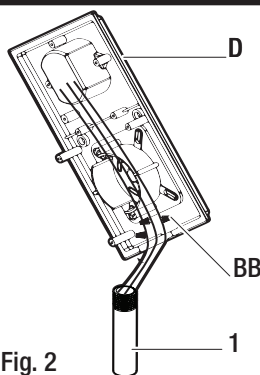
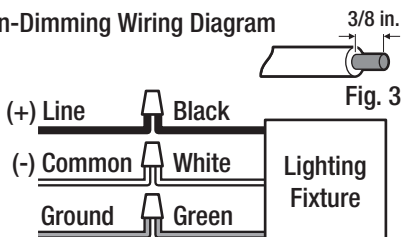
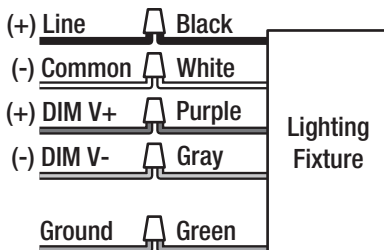


Fig. 2

Non-Dimming Wiring Diagram



0-10V Dimming Wiring Diagram



Installation (continued)

5 Installing the mounting base plate

Junction Box Mount

- Align the holes on the mounting base plate (D) with the holes on your junction box. Use two #8 screws (AA), depending on the size of the holes in your junction box, to attach the mounting base plate (D) to your junction box. (Fig. 1)

Surface Conduit Mount

- Mark and drill two holes on the wall surface as per the desired location for attaching the mounting base plate (D).
- Use two or more suitable screws (not included) applicable to the mounting surface and attach the mounting base plate (D) on the surface. (Fig. 2)
- For conduit entry, use a drill to open the conduit plug (B) at the bottom end of the base.

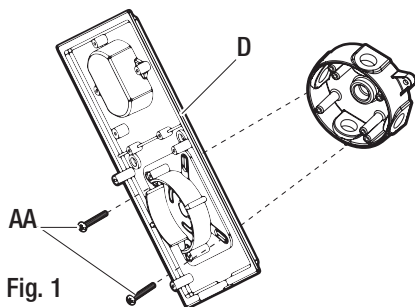


Fig. 1

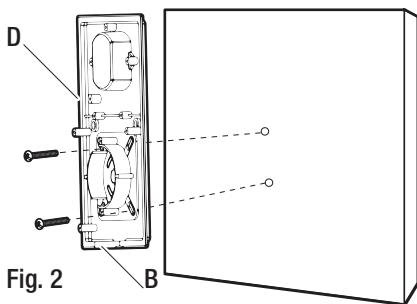
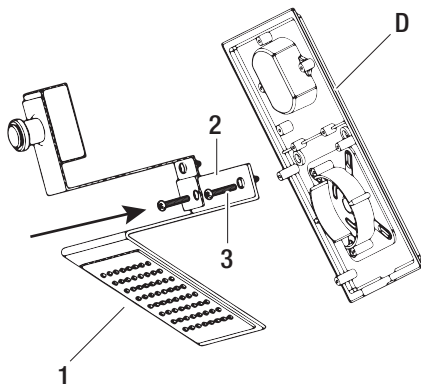


Fig. 2

6A Securing the LED panel and photocell on the base plate

- Replace the LED panel (1) and photocell plate (2) (removed in step 1) back on the mounting base plate (D) by fixing the two screws (3) removed earlier using the Phillips screwdriver.



6B Selecting Dusk-to-Dawn or Switch Activated control

OPTION 1: DUSK-TO-DAWN

Dusk-to-dawn operation enables the light fixture to automatically turn ON when dark outside and turn OFF when the sun rises, thus saving you energy.

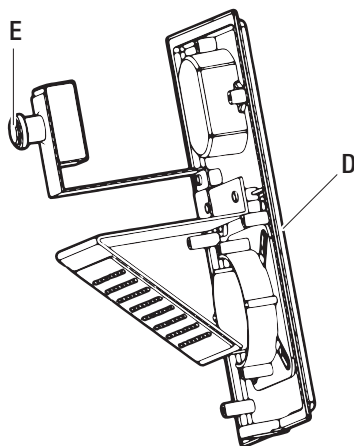
- To enable automatic dusk-to-dawn operation leave the photocell lens (E) uncovered.
- Ensure the switch powering the outlet connected to the light fixture is turned to the ON position and leave it ON at all times to enable dusk-to-dawn functionality to operate automatically.



IMPORTANT: To test if the light fixture and photocell (E) works properly run power to the fixture and cover the photocell to turn the fixture ON. Shine a light into the photocell to see if the fixture turns OFF.



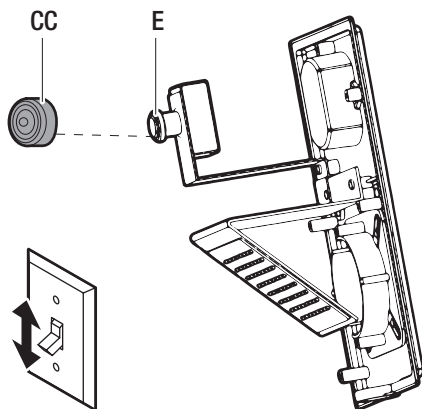
NOTE: If the photocell (E) is located in an area under heavy shade the photocell may not detect enough light and may turn the light fixture on.



OPTION 2: SWITCH ACTIVATED

Switch activated operation enables the light fixture to turn ON and OFF by flipping a switch that controls the electricity to the fixture. The light fixture will not turn ON and OFF automatically, but is manually controlled.

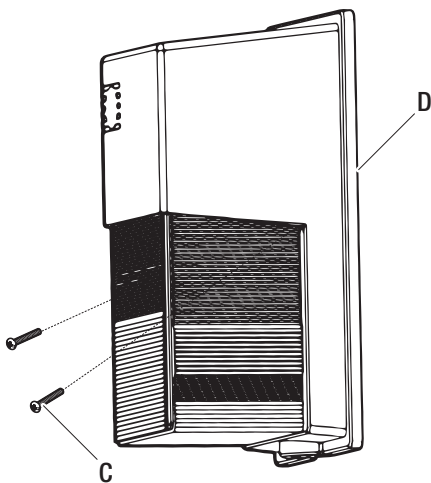
- To enable switch activated operation screw the black cap (CC) on the photocell (E) to cover the clear window on the end.



Installation (continued)

7 Securing the cover back on the fixture

- Replace the cover on the mounting base plate (D) using the two small screws previously removed.
- Close the fixture by tightening the mounting base screws (C).



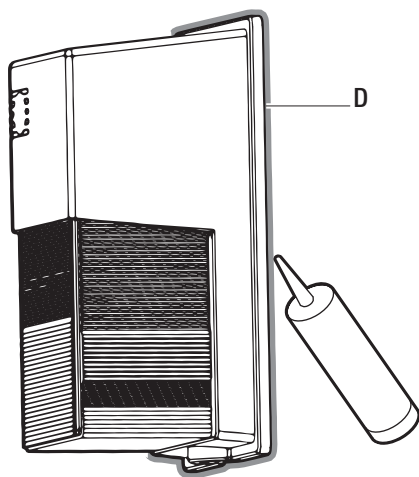
8 Caulking around the light fixture

- Caulk around the mounting plate (D) and surface with silicone sealant (not included).

NOTICE: Failure to properly caulk around the surface and mounting plate (D) could lead to water damage and is not covered under warranty.



NOTE: When attaching this fixture (A) to an external, surface mount junction box, caulk the inside of the light fixture before attaching to the mounting plate (D).




Care and Cleaning

- Shut off the main power supply before cleaning the product. To prolong the original appearance, clean the light fixture with clear water and a soft, damp cloth only.
- Do not use abrasive cleaners or cleaners that contain alcohol. Do not apply paints, solvents, or any other chemicals on this light fixture. They could cause a premature deterioration of the finish and may void the warranty.
- Do not spray the light fixture with a hose or power washer.

Troubleshooting

| Problem | Possible Cause | Solution |
|---|--|---|
| The light does not turn ON. | There is no power to the fixture. | <ul style="list-style-type: none"> □ Check if circuit breaker is tripped. □ Confirm wall switch is ON. Verify wiring to the fixture is correct (turn power OFF to fixture beforehand). |
| | The fixture senses daylight. | Cover the photocell. Wait several seconds until the fixture turns ON. |
| The light cycles ON and OFF continuously. | The photocell light sensor is sensing reflected light. | <ul style="list-style-type: none"> □ Relocate the light fixture to a location where there is no reflected light. □ OR place the optional photocell cover over the photocell light sensor and use the wall switch to turn the light ON and OFF. |
| The light flickers. | The light fixture is wired through a dimmer switch. | Do not use a dimmer switch to control the light fixture. Replace the dimmer with a standard ON/OFF switch. |
| The light stays ON. | The light sensor is in a shaded area. | <ul style="list-style-type: none"> □ Shine a flashlight into the light sensor and wait up to a minute. If the light turns OFF, the fixture should be moved to a location with enough light in the daylight hours for the light sensor to work. □ OR place the optional opaque cover over the photocell light sensor and use the wall switch to turn the light ON and OFF. |
| | The light sensor is faulty. | If the light does not turn OFF when a flashlight is shined on the light sensor for up to a minute, then the sensor may be faulty. Please contact customer service. |

 **NOTE:** The photocell (E) may have a short delay to reduce its sensitivity to sudden light changes. When testing, shine a light/cover the photocell for up to a minute to check if the fixture functions properly.



**Questions, problems, missing parts? Before returning to the store,
call Commercial Electric Customer Service
9 a.m. - 5 p.m., EST, Monday-Friday**

1-844-548-3776

HOMEDEPOT.COM

Retain this manual for future use.