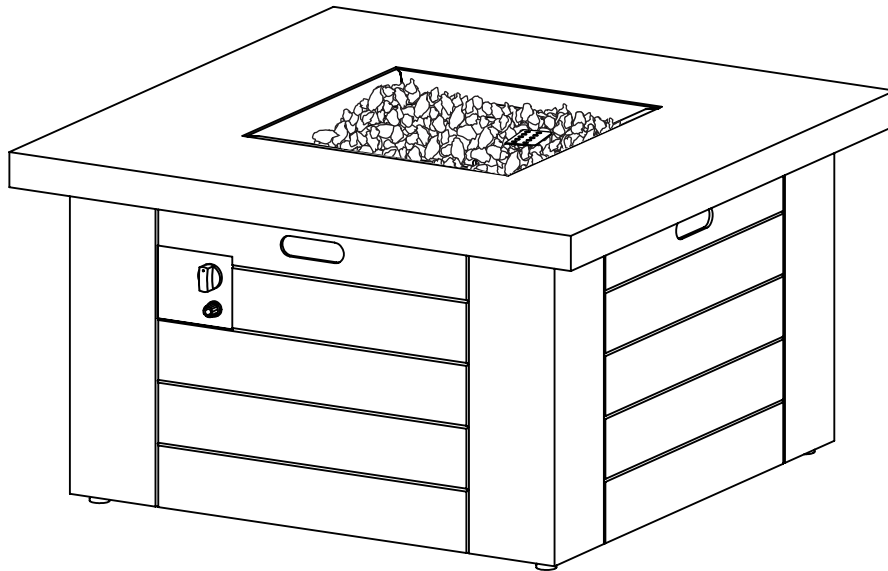


PO: _____
LOT: _____



C1600LP Forest Ridge Fire Table Owner's Manual

Warning:

**For outdoor use only
DO NOT use for cooking
DO NOT use under any
overhead enclosure**

Warning:

- ▲ If the information in this manual is not followed exactly, a fire or explosion may result causing property damage, personal injury or loss of life.
- ▲ Installation and service must be performed by a qualified installer, service agency or gas supplier.
- ▲ Improper installation, adjustment, alteration, service or maintenance can cause injury or property damage.
- ▲ Read the installation, operation and maintenance instructions thoroughly before installing or servicing this equipment.
- ▲ Save these instructions for future reference. If you are assembling this unit for someone else, give this manual to him or her to read and save for future reference.



Designed and Engineered by
Real Flame. Manufactured as
Model # C1600LP

DANGER

If you smell gas:

- Shut off gas to the appliance.
- Extinguish any open flame.
- If odor continues, keep away from the appliance and immediately call your gas supplier or fire department.

WARNING

Do not store or use gasoline or other flammable vapors and liquids in the vicinity of this or any other appliance.

An LP-cylinder not connected for use should not be stored in the vicinity of this or any other appliance.

TABLE OF CONTENTS

Important Safety Information	3
Propane (LP) Gas Dangers and Warnings	5
Hose and Regulator Assembly and Replacement	7
Parts List	8
Assembly Instructions	9
Lighting	13
Care and Cleaning	14
Gas Component Connection Checks	15
Troubleshooting	17
Warranty	20

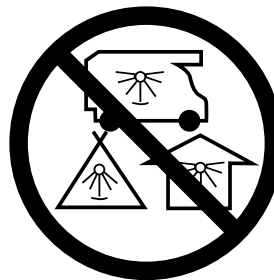
DANGER

CARBON MONOXIDE HAZARD

This appliance can produce carbon monoxide which has no odor.

Using it in an enclosed space can kill you.

Never use this appliance in an enclosed space such as a camper,tent,car or home.



SPECIFICATIONS

Product Name

Forest Ridge Fire Table

Type of Gas

Propane (LP)

Model No.

C1600LP

Gas Supply

20 lb LP-Gas Cylinder

Rated Heat Output

50,000 btu/hr

IMPORTANT SAFETY INFORMATION



WARNING FIRE TABLE IS FOR OUTDOOR USE ONLY

- **WARNING** Failure to follow the dangers, warnings and cautions in this manual may result in serious bodily injury or death, or in a fire or an explosion causing damage to property.
- **WARNING** Improper installation, adjustment, alteration, service or maintenance can cause injury or property damage. Read the installation, operating and maintenance instructions thoroughly before installing or servicing this equipment.
- **Minimum Clearance from Unit to Combustible Materials**
48" (121.9 cm) from all sides and back. Do not locate this fire table under any overhead enclosure. Do not place on or above any combustible materials.

IF YOU SMELL GAS

- Shut off gas supply to the fire table.
- Extinguish any open flame.
- Do not try lighting any appliance.
- Do not touch any electrical switch; do not use any phone in your building.
- Immediately call your gas supplier from a neighbor's phone.
- Follow the gas supplier's instructions.
- If you cannot reach your gas supplier, call the fire department.
- **Children and adults should be alerted to the hazards of high surface temperatures and be kept at a safe distance while fire table is in use.**
- **This fire table is NOT to be operated by children. Young children should be closely supervised when in the vicinity of this fire table.**
- **Do not hang or place clothing or other flammable materials on or near the gas fire table.**
- **Any guard or protective device removed for servicing the appliance shall be replaced prior to operating the appliance.**
- **Installation and repair should be done by a qualified service person. The appliance should be inspected before use and at least annually by a qualified service person. More frequent cleaning may be required as necessary. It is imperative that the control compartment, burners, and circulating air passageways of the appliance are kept clean.**
- Keep these instructions for future reference. If you are assembling this unit for someone else, give this manual to him or her to read and keep for future reference.
- DO NOT use this fire table for cooking.
- DO NOT pour water into the fire table.
- DO NOT use this fire table if any part has been under water. Immediately call a qualified service technician to inspect the fire table and to replace any part or control system and any gas control which has been under water.

IMPORTANT SAFETY INFORMATION (Continued)

- This gas fire table must be used ONLY outdoors in a well-ventilated space and shall NOT be used inside a building, garage, or any other enclosed area.
- DO NOT use this fire table for indoor heating. TOXIC carbon monoxide fumes can accumulate and cause asphyxiation.
- NEVER LEAVE this gas fire table unattended when in use.
- Do not store or use gasoline or other flammable vapors and liquids within 25 feet (7.62m) of this or any other appliance.
- Do not store any combustible materials in the base enclosure.
- Never use a flame to check for gas leaks.
- The use of alcohol, prescription or non-prescription drugs may impair an individual's ability to properly assemble or safely operate this fire table.
- DO NOT use in an explosive atmosphere. Keep fire table area clear and free from combustible materials, gasoline and other flammable vapors and liquids.
- This fire table is not to be installed or used in or on recreation vehicles and/or boats.
- Always use in accordance with all applicable local, state and national codes. Contact your local fire department for details on outdoor burning.
- Use the same precautions you would with any open fire when using this fire table.
- DO NOT burn solid fuels such as: wood, charcoal briquettes, lump charcoal, manufactured logs, driftwood, trash, leaves, paper, cardboard, plywood, painted or stained or pressure treated wood in this fire table.
- DO NOT use this fire table until it is COMPLETELY assembled and all parts are securely fastened and tightened.
- DO NOT store another LP gas tank within 10 feet (3.05 m) of this fire table while it is in operation.
- DO NOT use this fire table near automobiles, trucks, vans or recreational vehicles.
- DO NOT use this fire table under any overhead structure or near any unprotected combustible constructions. Avoid using near or under overhanging trees and shrubs.
- Always use this fire table on a hard, level non-combustible surface such a concrete, rock or stone. An asphalt or blacktop surface may not be acceptable for this purpose.
- DO NOT wear flammable or loose clothing when operating this fire table.
- DO NOT use in windy conditions.
- Keep all electrical cords away from a hot fire table.
- Certain areas of this fire table when in use will become too hot to touch. Do not touch hot surfaces until the unit has cooled unless you are wearing protective gear such as insulated pot holders or heat resistant gloves or mittens to avoid burns.
- DO NOT attempt to move or store this fire table until all parts are cool.
- DO NOT lean over this fire table when lighting or when in use.
- Use only the regulator and hose assembly provided. The replacement regulator and hose assembly shall be that specified by the manufacturer.
- DO NOT attempt to disconnect the gas regulator from the tank or any gas fitting while the fire table is in use.
- Always shut off gas supply at the tank valve and disconnect regulator from the tank when the fire table is not in use.
- DO NOT sit on the fire table when the unit is in operation.
- DO NOT throw anything onto the fire when the unit is in operation.
- Lava rocks or glass fillers are very hot; please keep children or pets at a safe distance.
- It is essential to keep the fire table valve compartment, burners, and circulating air passages clean. Inspect fire table before each use.

IMPORTANT SAFETY INFORMATION (Continued)

- Prior to each fire table operation, check the hose for evidence of excessive abrasion or wear. Use a handheld mirror to see hose sections located under the unit. If the hose is damaged, cracked or cut, it must be replaced before using the gas fire table. The hose assembly can only be replaced with a hose assembly specified by the manufacturer. Please call Real Flame at 1-800-654-1704.
- Before each use, examine the burner and its components. If dirty, clean with a soft brush and soapy water solution. Also examine the area around the burner. Any dirt or foreign material, such as spider webs or nests in this area should be removed. If it is evident that the burner is damaged, the fire table must not be used. The burner assembly must be replaced. Please contact Real Flame at 1-800-654-1704 for technical support.
- For external tank fire tables, place the hose out of the pathways where people may trip over it. Do not place the hose in areas where it may be subjected to accidental damage.

⚠ WARNING

This fire table is for use with liquefied petroleum (LP) gas only. The conversion to Natural Gas (NG) must be done with the approved Real Flame conversion kit and must be done by a gas professional. Failure to do so may result in property damage, injury, or death.

ATTENTION: Any alteration of the fire table that is not specifically directed in the operations manual will void manufacturer warranty.

PROPANE (LP) DANGERS AND WARNINGS

LP GAS

LP gas is flammable and hazardous if handled improperly. Become aware of the characteristics before using any LP gas product.

Propane Characteristics

- Flammable, explosive under pressure, heavier than air and settles in pools in low areas.
- In its natural state, propane has no odor. For your safety, an odorant has been added.
- Contact with propane could burn your skin.
- Propane is extremely flammable and hazardous if handled improperly.

LP GAS WARNINGS

- Cylinders must be stored outdoors in a well-ventilated area out of reach of children.
- Disconnected cylinders must have valve dust caps installed and must not be stored in a building, garage or any other enclosed area.
- Never use a propane cylinder with a damaged body, valve, collar or footing.
- Dented or rusted propane cylinders may be hazardous and should be checked by your propane gas supplier.
- Be sure to use only one 20 lb (9.1 kg) LP gas cylinder with a Type 1 valve with this appliance as required by the American National Standards Institute (ANSI) and the Canadian Standards Steering Committee.
- Only tanks marked “propane” may be used.
- The LP gas supply tank must be constructed and marked in accordance with the Specifications for LP gas LP gas tanks of the U.S. Department of Transportation (DOT) or the National Standard of Canada, CAN/CSA-B339, LP gas tanks, Spheres and Tubes for the Transportation of Dangerous Goods; and Commission.
- LP gas tank must be arranged for vapor withdrawal.

PROPANE (LP) DANGERS AND WARNINGS (Continued)

- The LP gas tank must have a listed overfilling prevention device (OPD) and a QCCI or Type I (CGA810) LP gas tank connection.
- The LP gas tank must have a tank collar to protect the tank valve.
- LP gas cylinder must contain a shut-off valve as specified in the Standard for Compressed Gas Cylinder Valve Outlet and Inlet Connection, ANSI/CGA-V-1-1977, CSA B96.
- The LP gas tank should not be dropped or handled roughly.
- Tanks must be stored outdoors out of the reach of children. Do NOT store in a building, garage, or any other enclosed area.
- Never store your LP gas tank where temperatures can reach over 125°F.
- Do not store the LP gas cylinder in direct sunlight or near a source of heat or combustion.
- Never keep a filled LP gas tank in a hot car or car trunk. Heat will cause the gas pressure to increase, which may open the relief valve and allow gas to escape.
- Place dust cap on valve outlet whenever the LP gas tank is not in use. Only install the type of dust cap on the LP gas tank valve outlet that is provided with the LP gas tank valve. Other types of caps or plugs may result in leakage of propane.
 - a. Do not store a spare LP gas cylinder under or near this appliance.
 - b. Never fill the LP gas cylinder beyond 80% full.
 - c. If the information in (a) and (b) is not followed exactly, a fire causing death or serious injury may occur.
- LP gas cylinders should be filled only by a certified LP gas dealer.
- The pressure regulator is set for 11 inches of water column (pressure).
- The normal inlet gas pressure for this fire table is 11 inches of water column pressure.
- Never attempt to attach this appliance to the self-contained LP gas system of a camper trailer, motor home or house.
- Always use the pressure regulator and hose assembly provided with the appliance to connect to a LP gas cylinder. Never connect to an unregulated LP gas supply. For technical support contact Real Flame at 1-800-654-1704.
- Hand turn the manual gas control valve. Never use tools. If the valve will not turn by hand, do not try to repair it. Call a Certified Gas Technician. The use of force or any self attempted repair may result in a fire or explosion.
- Children and adults should be alerted to the hazards of high surface temperatures and should stay away to avoid burns or clothing ignition.
- Young children should be carefully supervised when they are in the area of the appliance.
- Clothing or other flammable material should not be hung from the fire table, or placed on or near the appliance.
- Any guard or other protective device removed for servicing the appliance shall be replaced prior to operating the appliance.
- Installation and repair should be done by a qualified service person. The appliance should be inspected before use and at least annually by a qualified service person. More frequent cleaning may be required as necessary. It is imperative that the control compartment, burners, and circulating air passageways of the appliance are kept clean.

Connecting your gas cylinder

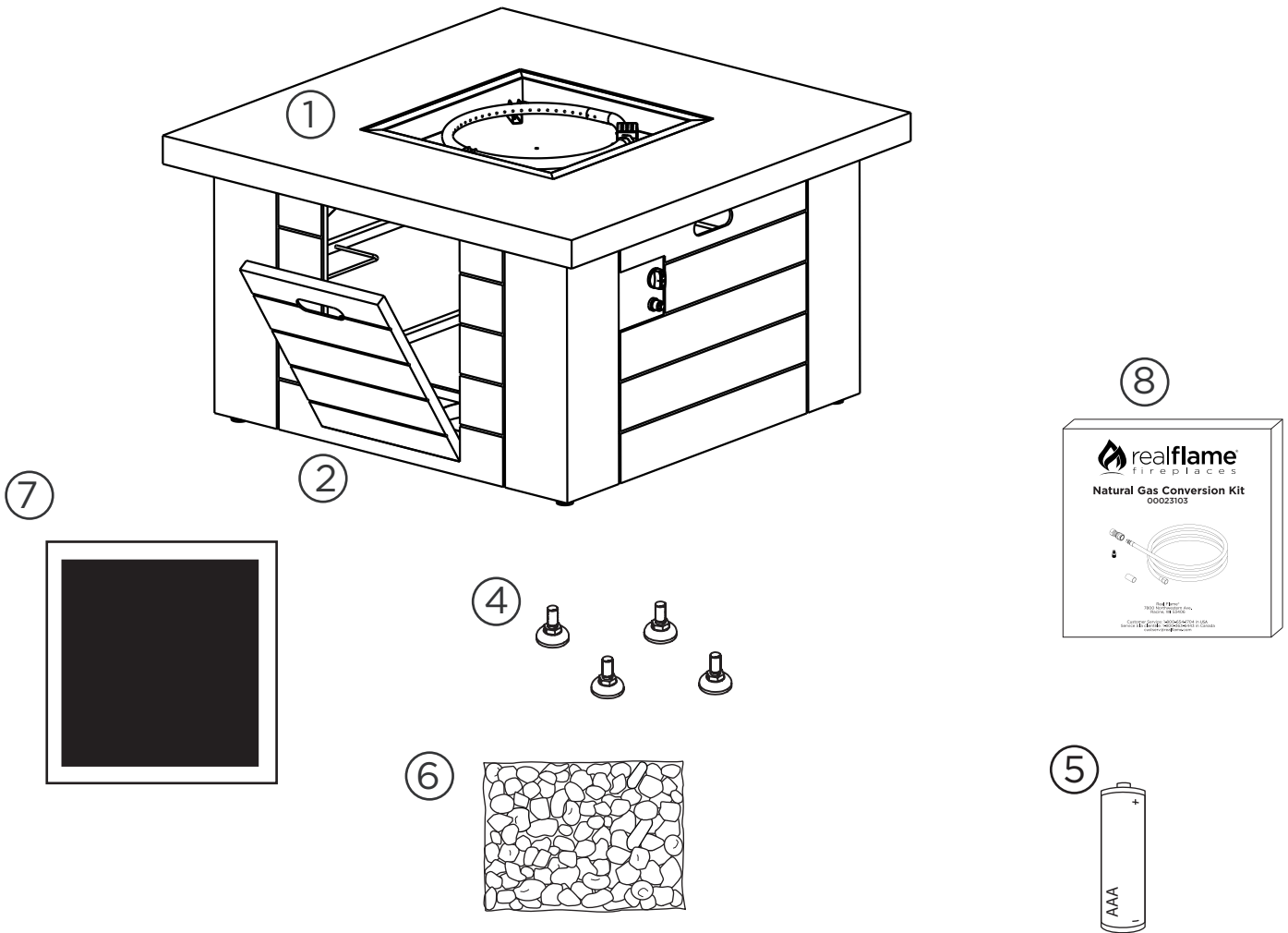
Before connection, be sure that there is no debris caught in the head of the gas cylinder, head of the regulator valve or in the head of the burner and burner ports. Connect regulator valve and hand-tighten firmly. Disconnect the propane cylinder from the regulator valve when the fire table is not in use. DO NOT obstruct the flow of combustion air and ventilation air to the burner.

HOSE & REGULATOR ASSEMBLY AND REPLACEMENT

- 1.** This fire table comes equipped with a standard LP gas hose and regulator including the appliance side connection for a CGA No 791 Cylinder Connection Device. The LP gas hose and regulator supplied with this fire table must be used. Only a hose and regulator specified by manufacturer can be used for replacement.
 - a.** The CGA No 791 connection incorporates a magnetic flow limiting device that acts to limit the flow of gas if a leak is detected between the regulator and the burner valve.
 - b.** If the burner valve is open prior to the LP gas cylinder service valve being opened, the connection will interpret this free flow of gas to be a leak.
 - c.** The connection safety feature will reduce gas flow from the regulator to the appliance to a minimal level.
 - d.** Be sure that the burner control valve is closed prior to opening the LP gas cylinder service valve to ensure that the connection flow limiting device is not triggered mistakenly.
 - e.** If the connection flow limiting device is triggered mistakenly, close the LP gas cylinder service valve and the burner valve, wait 10 seconds to allow the device to reset, open the cylinder service valve, then open the burner valve and light the fire table as per lighting instructions.
- 2.** Be sure to protect the hose from any hot surfaces. Serious danger may result if the hose contacts any hot surface.
- 3.** Regular maintenance of the hose and regulator:
 - a.** Inspect the hose before each use of the fire table. Use a handheld mirror to see hose sections located under the unit. If the hose shows signs of cracks, abrasions, cuts or damage of any kind, do not operate the fire table. Fix or replace the hose as required before using the fire table. For assistance with repair or replacement of the hose, call Real Flame at 1-800-654-1704. Use only replacement parts from the manufacturer.
 - b.** Inspect the seal inside the CGA No 791 service valve on the LP gas cylinder when replacing the cylinder or at least once per year. If there is any indication of damage, have the seal replaced by a certified gas dealer before operating the fire table.
- 4.** Do not use tools to tighten the CGA No 791 connection nut onto the LP gas cylinder service valve. Hand tighten only.
- 5.** Be careful to not cross the threads on the connection when tightening the CGA No 791 connection on to the LP gas cylinder service valve.
- 6.** “Leak Test” should always be performed after attaching the connection to the LP gas cylinder service valve. (See “Checking for Leaks” section of this manual on page 12)
- 7.** For the connection of the hose and regulator to the LP tank, refer to the “Connection” section of the LP gas cylinder section above.

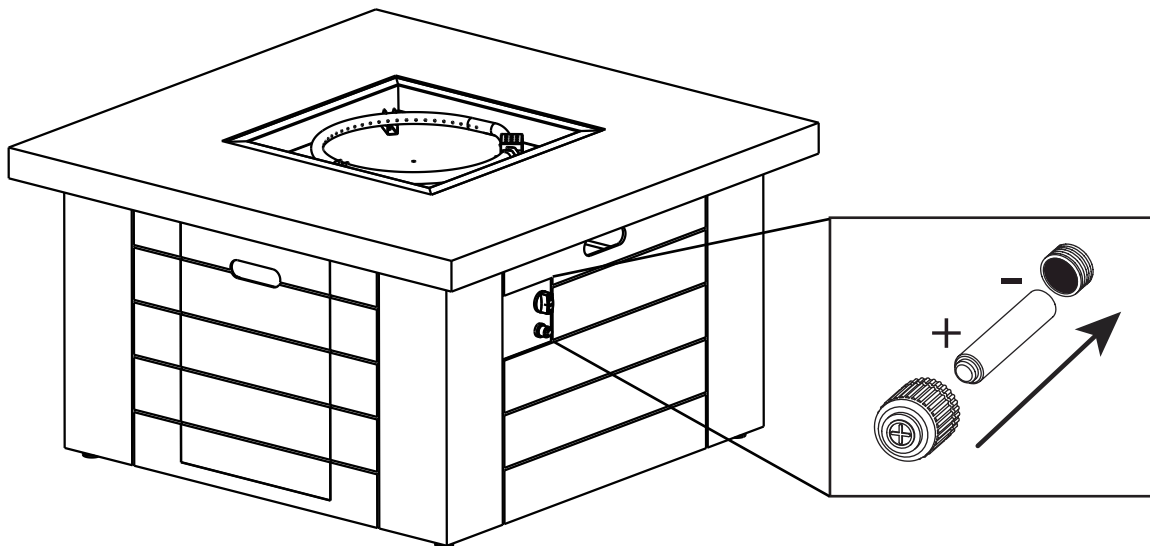
PARTS LIST

① Fire Table	N/A	1
② Door	16003702	1
③ LP Hose and Regulator	96000002	1
④ Feet (Set of 4)	05600006	1
⑤ AAA Battery	N/A	1
⑥ Lava Rock	05603408	1 Box
⑦ Protective Cover	16000107	1
⑧ NG Conversion Kit	00023103	1

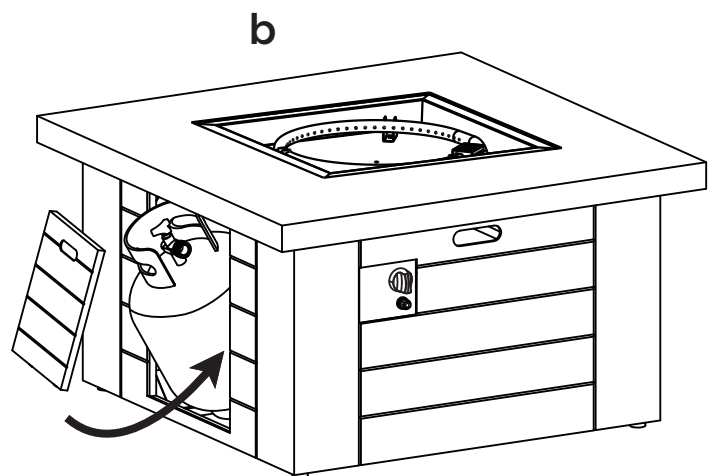
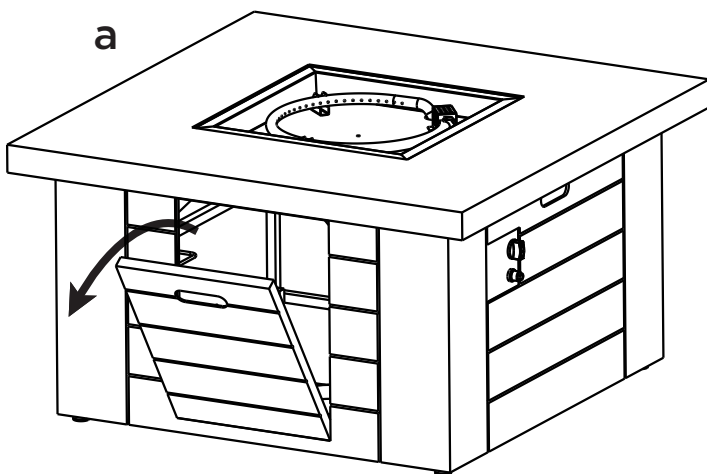


ASSEMBLY INSTRUCTIONS

1.) Install the AAA battery as shown in the diagram below.



2.) Open the door to place the LP propane tank (a).
Place LP propane tank on the metal tank holder inside the fire table body (b).

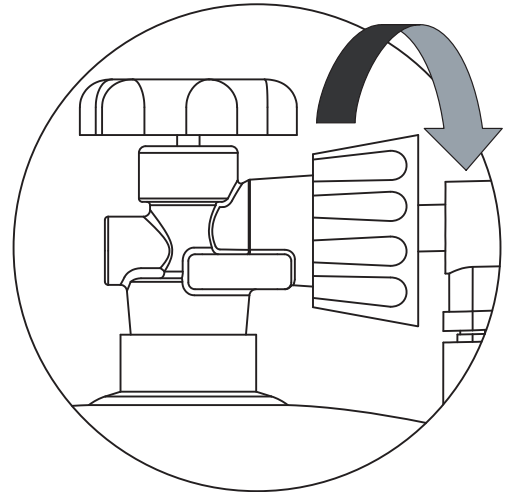


ASSEMBLY INSTRUCTIONS

3.) Connect the LP Gas Tank

Check to make sure there is no debris in the head of the LP gas tank or in the head of the regulator valve. Make sure you check the burner and burner ports as well.

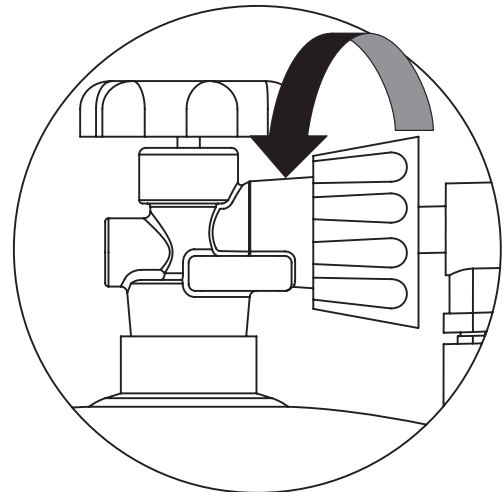
Connect gas line to tank by turning knob clockwise. Hand tighten only.



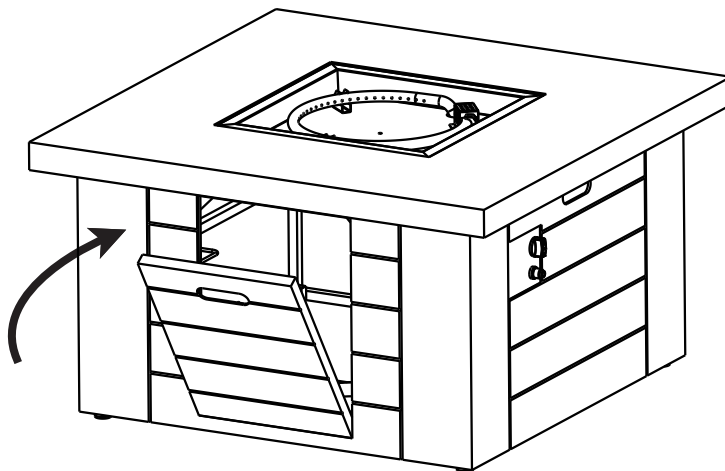
Disconnecting the LP Gas Tank

Make sure the valve on the LP gas tank is OFF.

Disconnect by turning the knob counter clockwise until it is detached from the valve

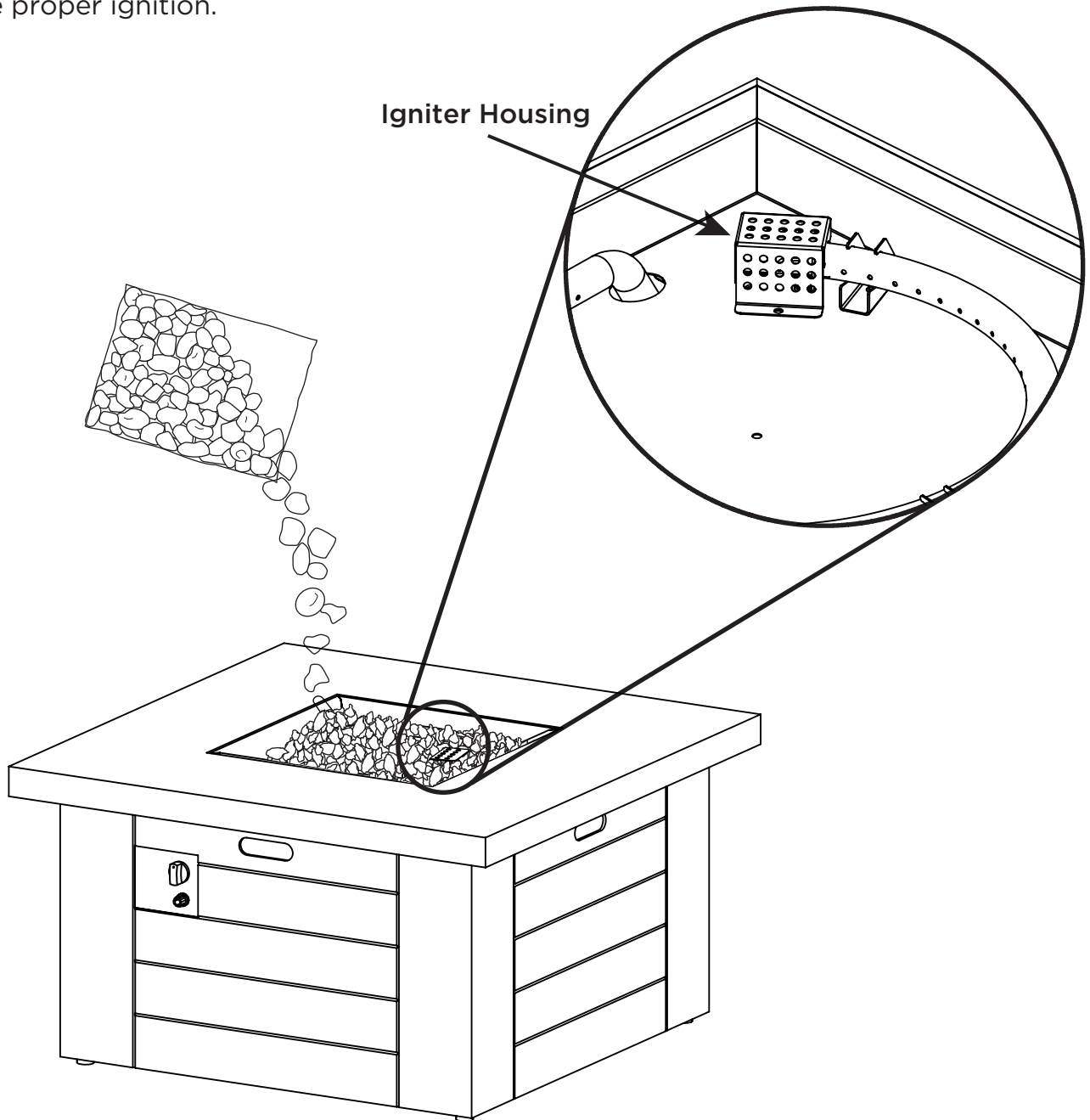


Once the LP propane tank is properly connected to the LP regulator hose, replace the door.



ASSEMBLY INSTRUCTIONS

- 4.) Place lava rock by hand. DO NOT dump bag out into tray to avoid clogging the burner with dust. Position the lava rock or other approved filler material across the burn area to a level 1" above the burner. Make sure that you do not block the igniter housing with filler to ensure proper ignition.



Lava Rock and Glass Filler Warning:

1. Do not overfill the burner area with rock or glass filler. The depth of the filler should not be more than one inch above the burner tube. Only Real Flame filler products have been certified and tested by CSA for safe use with this Real Flame fire table. Using other filler material may result in increased popping/ and cracking or increased CO gas emission.
2. Do not light or use this fire table if filler is wet. Ensure filler is completely dry before lighting. Intense heat can cause wet filler to explode and hit someone causing injury.
3. Please keep away from the fire table for at least 20 minutes during initial start-up as filler could retain some moisture from manufacturing and shipping.

PRE-USE INSTRUCTIONS

⚠ WARNING Before using this fire table, make sure you have read, understand and are following all information provided in the important Safety Information section of this manual. Failure to follow those instructions can cause death, serious injury or property damage.

Prior to each fire table operation, check the hose and valve for evidence of excessive abrasion or wear.

CHECKING FOR LEAKS

Make a leak check solution by mixing 1 part dishwashing soap with 3 parts water in a spray bottle.

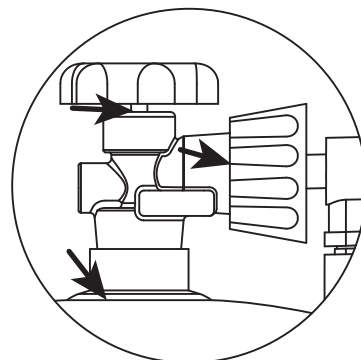
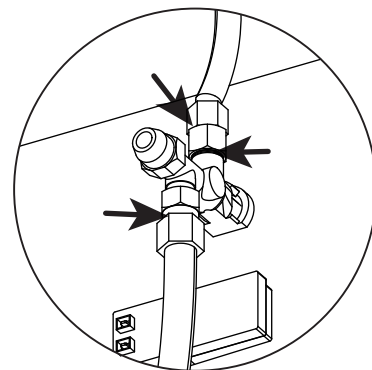
Make sure control knob is OFF. Then, turn LP gas tank to ON at valve.

Spray leak solution on valve connections paying particular attention to the areas indicated by arrows.

If any bubbles appear turn LP gas tank OFF, reconnect and re-test. If you continue to see bubbles after several attempts, disconnect LP gas source and contact Real Flame at 1-800-654-1704 for assistance.

If no bubbles appear after one minute turn tank OFF, wipe away solution and proceed.

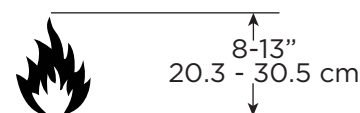
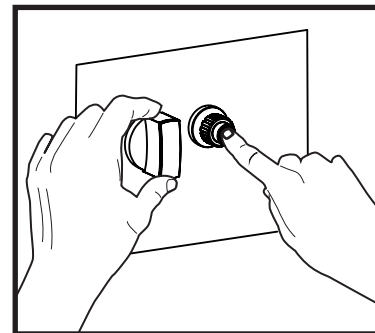
Check for leaks at these locations.



LIGHTING INSTRUCTIONS

Using the igniter

1. Read and understand all operating instructions before lighting.
2. Burner control knob must be in the OFF position.
3. Connect propane (LP) cylinder (see above pages).
4. Slowly open valve on LP gas cylinder.
5. Push and hold igniter button
6. While holding the igniter button with one hand, use your other hand to push and turn the control knob to the LIGHT position to light the burner.
7. Keep Burner Control Knob pressed in for 15-30 seconds after ignition.
8. If ignition does not occur in 30 seconds, turn control knob to the OFF position and turn gas off at the source, wait 5 minutes until gas has cleared and repeat lighting procedure.
9. After lighting, rotate the Burner Control Knob counter clockwise to LOW setting. Observe flame, make sure all burner ports are lit. Flame height should be no higher than 13 inches tall.
10. Adjust the flame to the desired height with the control knob.



Using a Long Match or Lighter

1. Prior to lighting, use a shovel to move the filler for access to the burner
2. Wearing heat resistant gloves, position the burning long match or burning butane lighter near the side of the burner. DO NOT lean over the fire table while lighting!
3. Turn control knob counterclockwise to LIGHT.
4. Remove long match/long butane lighter.
5. After lighting, use a shovel and heat resistant gloves to carefully move the filler back into the proper position.
6. After lighting, rotate the Burner Control Knob counter clockwise to LOW setting. Observe flame, make sure all burner ports are lit. Flame height should be no higher than 13 inches tall.
7. Adjust the flame to the desired height with the control knob.



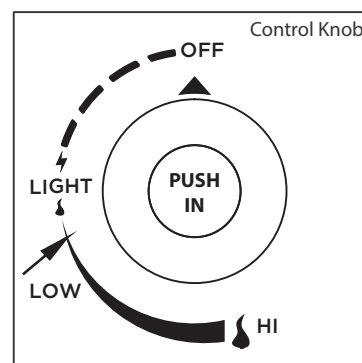
WARNING

When using this method to light your fire table use heat resistant gloves and follow the step by step instructions. Failure to do so could result in severe injury.

WARNING

If burner flame goes out during operation, immediately turn the control knob OFF and let the gas clear a minimum of 5 minutes before attempting to re-light the fire place.

Please refer to the trouble shooting pages for additional support, beginning on page 17.



CARE AND CLEANING

Inspecting

This fire table must be inspected regularly to ensure that the product is safe to use and to extend product life.

⚠ WARNING DO NOT inspect this fire table until the fire is COMPLETELY out.

1. Make sure all parts are securely fastened in place. If a part moves when touched, check its connection points to see if they are loose.
2. Check all gas connections for leaks.
3. Check ignition system to insure proper sparking.
4. Check components for any signs of damage, rust or excessive wear.
5. If damage to any component is detected, DO NOT operate until the proper repairs have been made.

⚠ WARNING DO NOT tamper with this appliance. This is DANGEROUS and will void the warranty. Any part found to be faulty must be replaced with an approved part, confirmed by the manufacturer. For technical support contact Real Flame at: 1-800-654-1704.

General Care and Cleaning

1. This fire table should be cleaned regularly to ensure safe use and extended product life.

NOTE: After repeated use, a slight discoloration of the finish may occur.

⚠ WARNING DO NOT attempt to clean this fire table unless the fire is completely out and the unit is cool to the touch.

DO NOT use oven cleaner or abrasive cleaners as they will damage this product.

DO NOT USE SOLVENTS while in closed spaces or while smoking.

Table

1. Wipe exterior surfaces with a mild dishwashing soap, then rinse clean with water.

Storage:

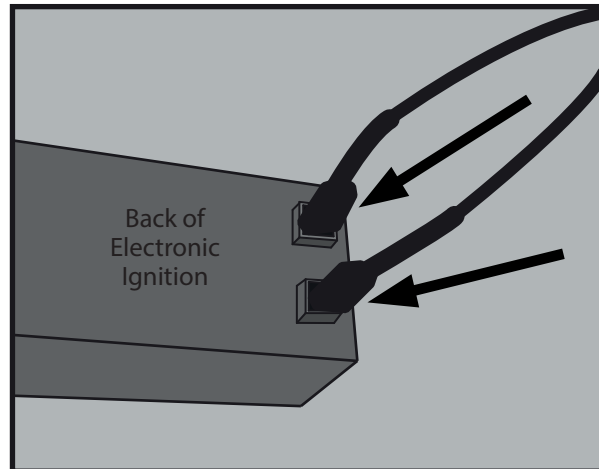
⚠ WARNING DO NOT move or store this fire table unless the fire is COMPLETELY out and is cool to the touch.

1. Turn gas OFF at tank connection. Remove tank and store in a cool, dry location outdoors, away from children.
2. Carefully remove filler and store components flat to protect them from breakage.
3. ALWAYS cover your fire table when not in use. The cover will protect the mechanical components from dirt and debris, prevent water from pooling on surface of the fire table and will prevent fading and discoloration of the finish.
4. Store in a cool, dry location away from children and pets.

GAS COMPONENT CONNECTION CHECKS

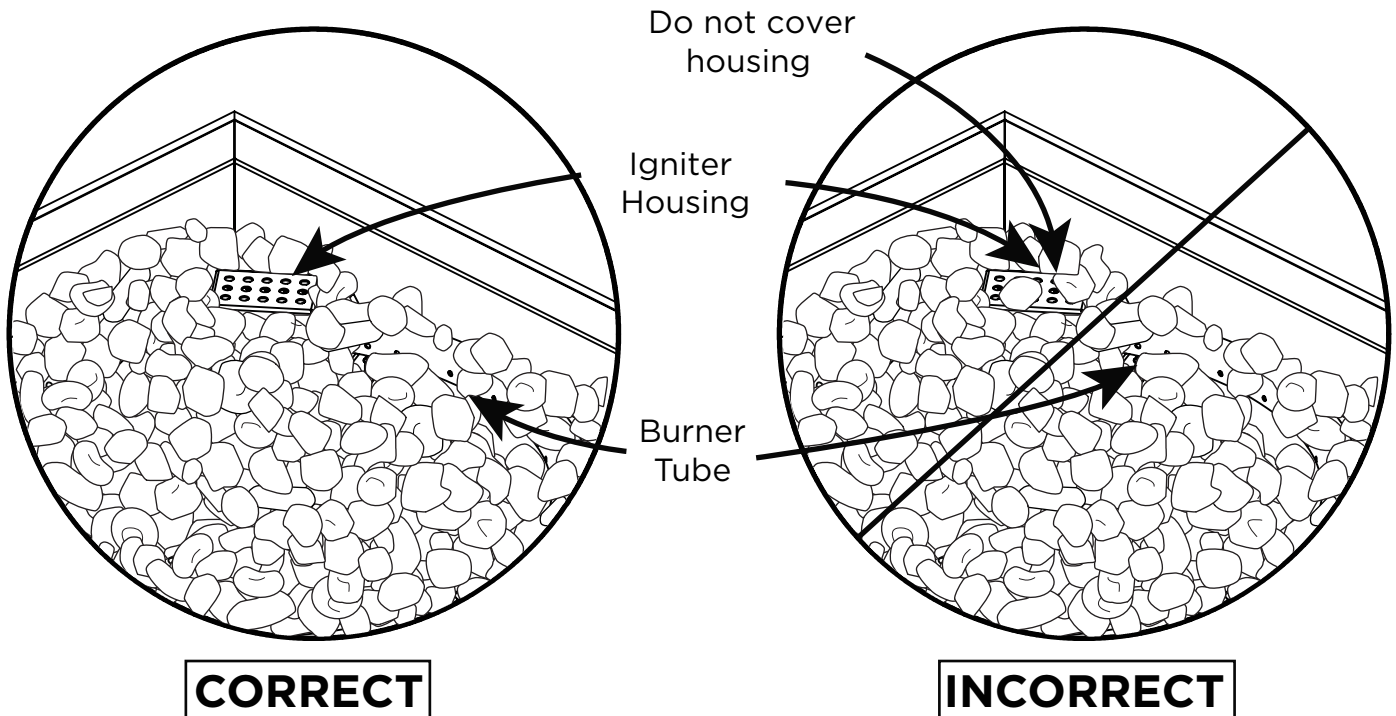
If the burner will not light or stay lit, please perform the following checks.

1. Make sure the electrode wire is completely and correctly connected.

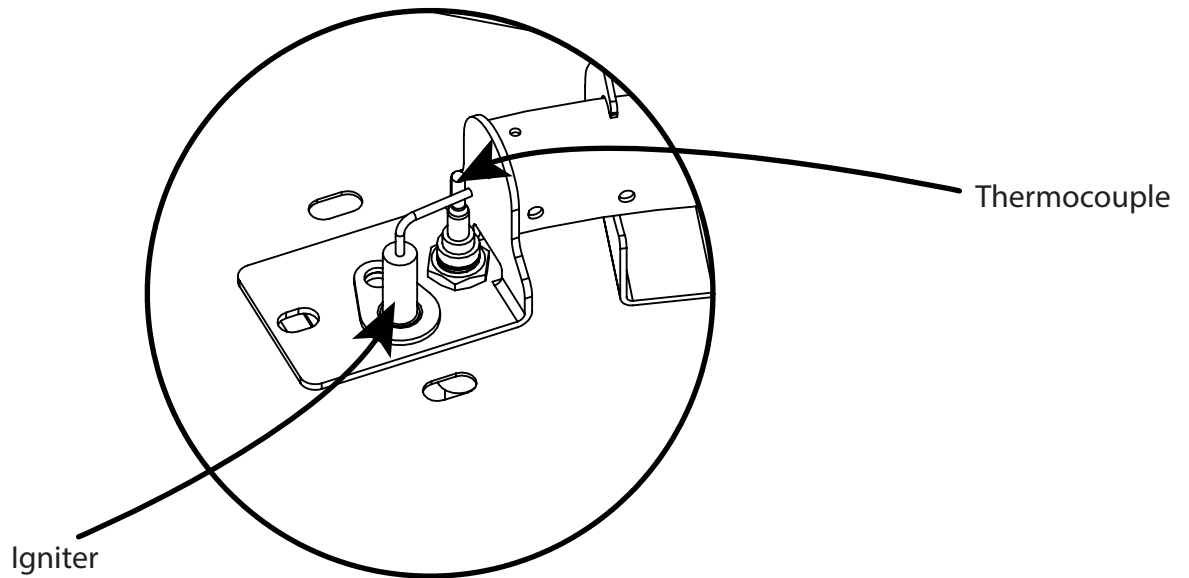


2. Make sure that the igniter housing is unobstructed.

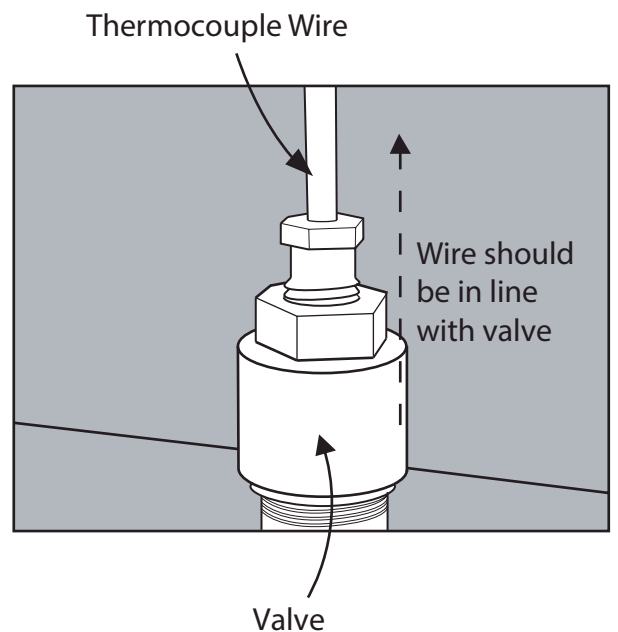
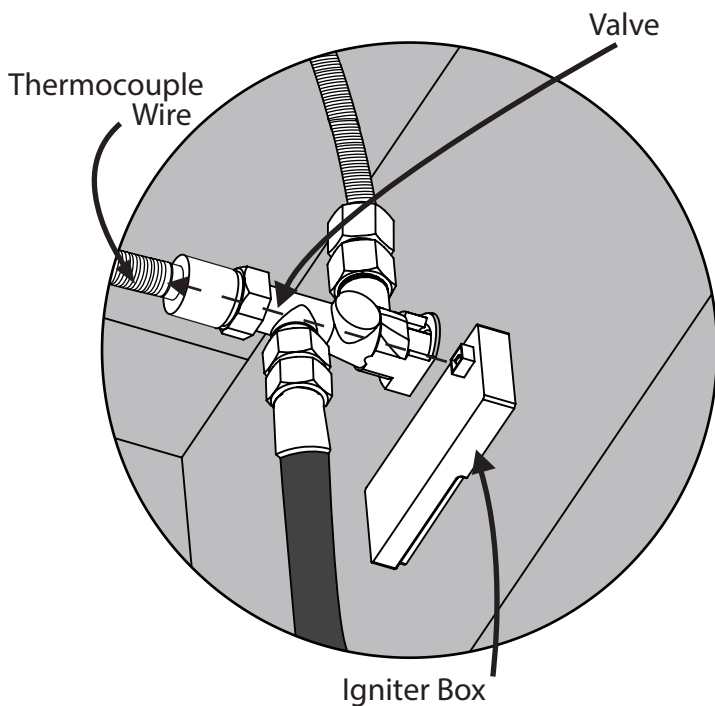
Clear any debris on top of the igniter housing and make sure there is no debris between the igniter pin, thermocouple and the burner tube.



GAS COMPONENT CONNECTION CHECKS



3. Make sure that the igniter pin and thermocouple are correctly positioned.
- The igniter pin should be pointed at the thermocouple.
 - The thermocouple should be positioned 5mm away from the burn tube.



4. Make sure that the thermocouple wire is correctly positioned. The thermocouple wire should be in line with the valve.

TROUBLESHOOTING

Problem: Burner will not light using igniter

Possible Cause 1: Electrode and burners are wet.

-Wipe dry with cloth.

Possible Cause 2: Igniter battery is dead or backwards.

-Check that the AAA battery is inserted correctly in the igniter (see page 9) or replace the battery.

Possible Cause 3: Igniter Pin cracked or broken - sparks at crack.

-Call Real Flame at 1-800-654-1704 for technical support.

Possible Cause 4: Wire loose or disconnected.

-Reference page 16, step 1, reconnect wire. Call Real Flame at 1-800-654-1704.

Possible Cause 5: Wire is shorting (sparking) between igniter and electrode.

-Call Real Flame at 1-800-654-1704 for support.

Possible Cause 6: Igniter Pin not pointing at thermocouple.

-Reference page 16, turn electrode to point at the thermocouple.

Possible Cause 7: Bad Igniter.

-Call Real Flame at 1-800-654-1704 for support.

Problem: Burner will not light with match

Possible Cause 1: No Gas Flow.

-Check if the LP gas tank is empty. If empty, replace and refill. If the propane tank is not empty, refer to “Problem: Sudden drop in gas flow” on the following page.

Possible Cause 2: Coupling nut and regulator not fully connected.

-Turn the coupling nut about one half to three fourths of a turn, until you feel a solid stop. Do not use tools, tighten by hand only.

Possible Cause 3: Obstruction of gas flow.

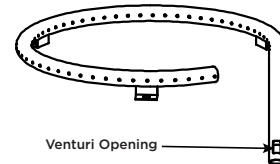
- Check for bent or kinked hose.

Possible Cause 4: Spider webs or insect nest in the Venturi.

- Clean the Venturi using compressed air.

Possible Cause 5: Burner ports clogged or blocked.

-Reference “Problem: Irregular flame pattern” on the following page. Clean the burner ports as described there.



Problem: The Fire Table emits a lot of black smoke when in use

Possible Cause 1: Hose from gas fire table is pinched.

-Make sure the hose is not pinched between the fire table and the source of the gas.

Possible Cause 2: Flame is being obstructed at burner ports.

-Make sure that the gas ports on the burner are free of any glass filler so that the flame can flow naturally.

For Technical Support Contact Real Flame at: 1-800-654-1704

TROUBLESHOOTING

Problem: Sudden drop in gas flow, or a reduced flame height

Possible Cause 1: Out of gas.

- Refill or exchange your LP tank.

Possible Cause 2: Excess flow safety device may have been activated.

- Your device is equipped with an automatic safety shutoff to prevent gas from flowing if the flame goes out. In order for the unit to work, flames must be contacting the thermocouple located in the igniter housing. Visually inspect the thermocouple and igniter housing to make sure there are no obstructions, such as glass filler, and that flames are contacting the thermocouple.

Problem: Irregular flame pattern, flame does not run the full length of the burner

Possible Cause: Burner ports are clogged or blocked.

- Clean burner ports.

Do this by inserting a paperclip into each of the burner ports to ensure they are not clogged.

WARNING: Make sure burner is not on and the gas supply has been properly disconnected. Allow 15 minutes for unit to cool before touching it.

Problem: Flame blow out

Possible Cause 1: High or gusting winds.

- Do not use fire table.

Possible Cause 2: Low on LP gas.

- Replace or refill LP gas tank.

Possible Cause 3: Excess flow valve tripped.

- Refer to "Problem: Sudden drop in gas flow"

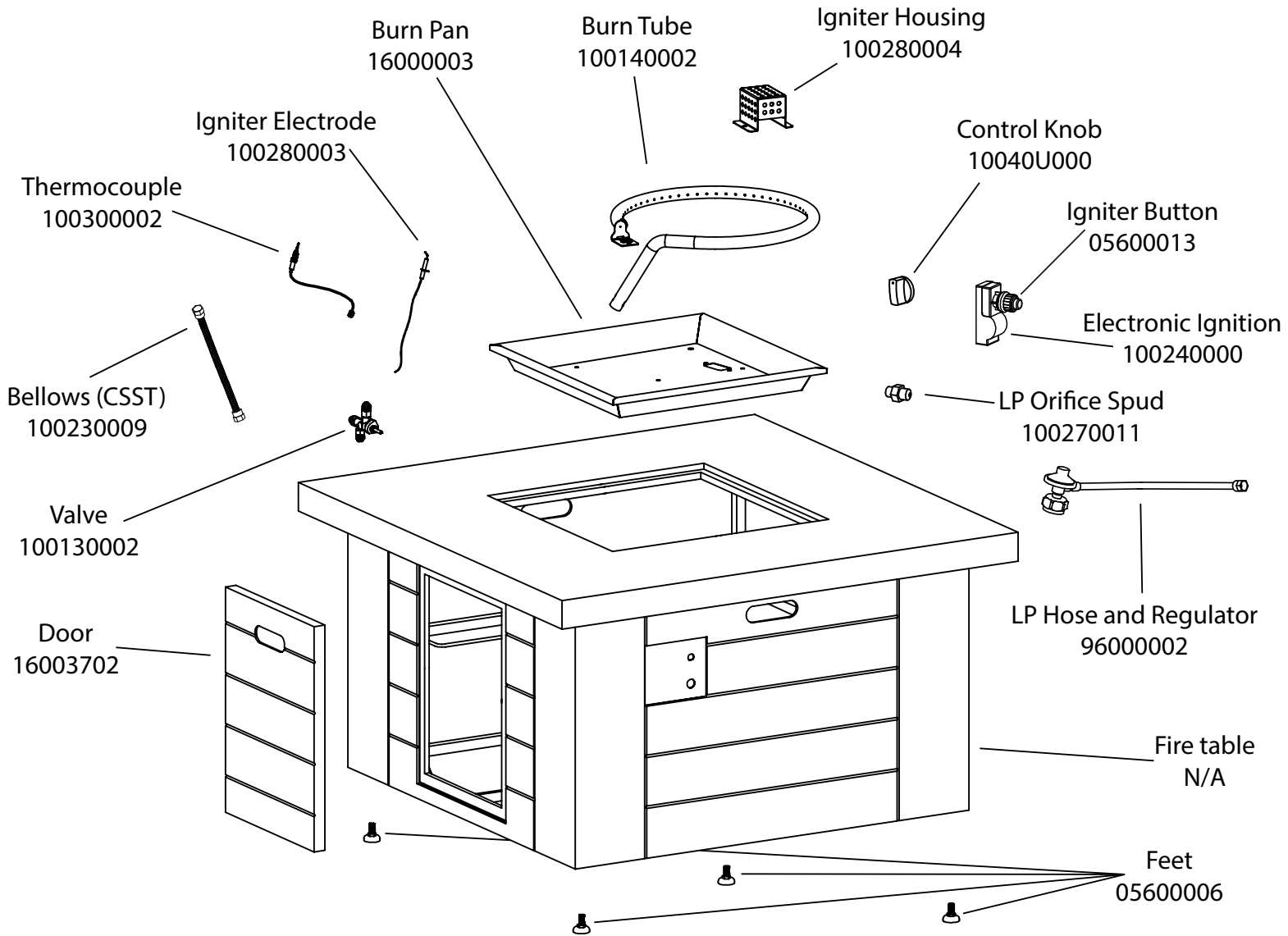
Problem: Flame seems to lose heat when burning in cold weather - temperature below 50°F

Possible Cause 1: Ice has built up on the outside of the LP gas tank because the vaporization process is too low.

- Turn the control knob and the LP gas tank to OFF. Replace with a spare LP gas tank and resume burning. Store the spare LP gas tank in a well ventilated area, away from children.

If these troubleshooting steps are unable to resolve the problem, please call Real Flame at: 1-800-654-1704

TECHNICAL PARTS LIST



Natural Gas Conversion Kit
00023103

Warranty & Return Policies

Warranty

Real Flame® Company warrants Real Flame gas fireplaces and accessories to be free from defects in parts under normal use and service for a period of 1 year from the date of purchase and defective from finish issues for a period of 1 year from the date of purchase. In the event of such defects Real Flame will, at its option, replace the defective product or refund the purchase price. The foregoing is the exclusive remedy and Real Flame disclaims all other warranties, including any implied warranty of merchantability or fitness for a particular purpose. In addition, Real Flame will not be responsible for consequential damages in excess of the purchase price of the product on which such liability is based.

Return Policy

You may return your purchase within 90 days of receipt. No refunds will be issued for incomplete or unauthorized returns. All returned products must be 100% complete, adequately packaged in original packaging and in resalable condition. Products that have been assembled or modified will not be eligible for return. All items must be returned in their entirety, meaning all items included must be returned together. No returns or exchanges on discontinued items. Please begin the return process by contacting the store or company where you bought your Real Flame item.

Replacement Parts

In the event that an item has been lost or damaged, either by the manufacturer or in shipping, you may request a replacement. Replacement parts are not available for all units and only given at Real Flame's discretion. We will assess any damage and find a solution, which could include shipping you a replacement. No replacements are available for discontinued items or repackaged (open box) products. Please call Real Flame Customer Service at 800-654-1704 for replacement parts before returning the damaged item. Please have the following information (which can be found in your instruction manual) ready before you call Customer Service.

- Model Number of Item
- 4-8 digit Part Number
- Lot Code Number
- Shipping Address
- A picture of the damaged item may be requested. Pictures should be sent to custserv@realflame.com

Incorrect Order Received

If you received something other than what you ordered, please contact Real Flame Customer Service at 800-654-1704 within 48 hours of receiving the item.

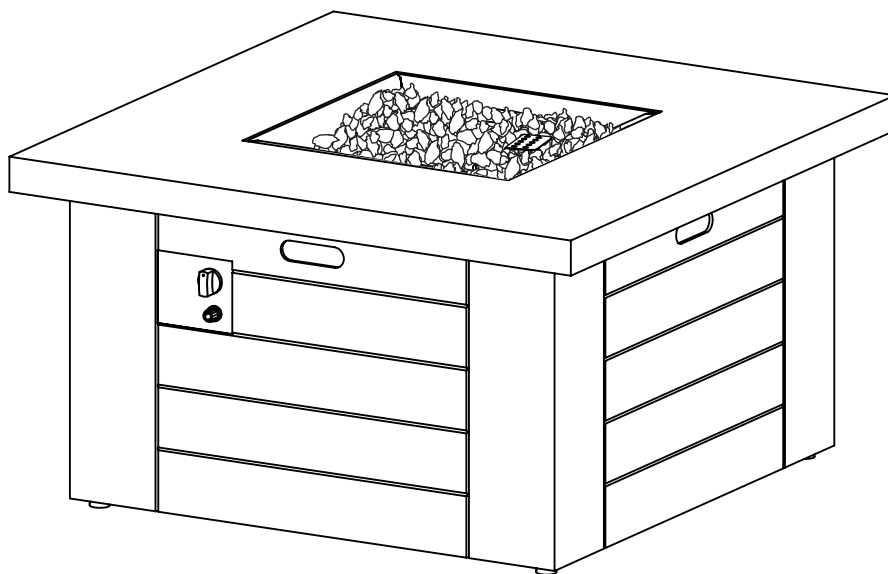
Please refer to www.Realflame.com for our complete return guidelines and policies.

Real Flame®
7800 Northwestern Ave.
Racine, WI 53406

Customer Service: 1-800-654-1704 in USA
Service à la clientèle: 1-800-363-6443 in Canada
custserv@realflame.com



realflame[®]
fireplaces



Manuel du Propriétaire de la Table de Feu Forest Ridge C1600LP

⚠ Attention:

Pour usage en plein air
N'UTILISEZ PAS pour la
cuisson NE PAS utiliser sous
une enceinte aérienne

⚠ Attention:

⚠ Si les informations contenues dans ce manuel ne sont pas suivies exactement, un incendie ou une explosion peut entraîner des dommages matériels, des blessures corporelles ou des pertes en vies humaines.

⚠ Lisez l'installation, l'opération et des instructions de maintien à fond avant l'installation ou l'entretien de cet équipement.

⚠ L'installation et le service doivent être effectués par un installateur qualifié, une agence de service ou un fournisseur de gaz.

⚠ Conservez ces instructions pour référence ultérieure. Si vous assemblez cet appareil pour quelqu'un d'autre, donnez-lui ce manuel pour qu'il puisse le lire et l'enregistrer pour référence future.

⚠ Une installation, un réglage, une altération, un entretien ou une maintenance inadéquats peuvent causer des blessures ou des dommages matériels.

⚠ IMPORTANT CONSERVER CES INSTRUCTIONS

⚠ DANGER

Si vous sentez une odeur de gaz :

- Arrêtez le gaz sur l'appareil.
- Éteignez toute flamme nue.
- Si l'odeur persiste, éloignez - vous de l' appareil et appelez immédiatement votre fournisseur de gaz ou votre service d'incendie.

⚠ AVERTISSEMENT

Ne pas stocker ni utiliser d'essence ou d'autres vapeurs et liquides inflammables à proximité de cet appareil ou de tout autre appareil.

Un cylindre LP non branché ne doit pas être stocké à proximité de cet appareil ou de tout autre appareil.



Conçu et Fabriqué par Real
Flame. Fabriqué sous le
numéro de modèle C1600LP

TABLE DES MATIÈRES

Renseignements Importants sur la Sécurité	3
Dangers et Avertissements de Gaz Propane (LP)	5
Montage et Remplacement des Tuyaux et des Régulateurs	7
Liste des pièces	8
Instructions de Montage	9
Éclairage	13
Entretien et Nettoyage	14
Vérification de la Connexion des Composants Gazeux	15
Dépannage	17
Garantie	20

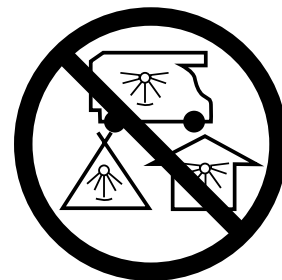
DANGER

RISQUE DE MONOXYDE DE CARBONE

Cet appareil peut produire du monoxyde de carbone qui est sans odeur.

L'utiliser dans un espace clos peut vous tuer.

Ne jamais utiliser cet appareil dans un espace clos comme un camping-car, une tente, une voiture ou un domicile.



CARACTÉRISTIQUES

Nom du Produit

Table de Feu Forest Ridge

Type de Gaz

Propane (LP)

Modèle No.

C1600LP

Approvisionnement en Gaz

Cylindre LP-Gaz de 20 lb

Puissance Calorifique Nominale

50,000 btu/hr

INFORMATIONS IMPORTANTES SUR LA SÉCURITÉ



AVERTISSEMENT LE TABLEAU D'INCENDIE EST UNIQUEMENT POUR UTILISATION EXTÉRIEUR

- **AVERTISSEMENT** Le non-respect des dangers, des mises en garde et des avertissements contenus dans ce manuel peut entraîner des blessures corporelles graves, voire la mort, un incendie ou une explosion causant des dommages matériels.
- **AVERTISSEMENT** Une installation, un réglage, une altération, un entretien ou une maintenance inadéquats peuvent causer des blessures ou des dommages matériels. Lisez attentivement les instructions d'installation, de fonctionnement et d'entretien avant d'installer ou d'entretenir cet équipement.
- Dégagement Minimum de l'Unité aux Matériaux Combustibles
48" (121,9 cm) de tous les côtés et du dos. Ne placez pas cette table de feu sous une enceinte aérienne. Ne placez pas sur ou au-dessus de tout matériau combustible.

SI VOUS SENTEZ DU GAZ

- Coupez l'alimentation en gaz de la table de feu.
- Éteignez toute flamme nue.
- N'essayez pas d'allumer un appareil.
- Ne touchez aucun interrupteur électrique; N'utilisez aucun téléphone dans votre immeuble.
- Appelez immédiatement votre fournisseur de gaz à partir du téléphone d'un voisin.
- Suivez les instructions du fournisseur de gaz.
- Si vous ne parvenez pas à joindre votre fournisseur de gaz, appelez le service des incendies.
- Les enfants et les adultes devraient être alertés des dangers des hautes températures de surface et être maintenus à une distance sûre pendant que la table de feu est utilisée.
- Cette table de feu externe NE DOIT PAS être utilisée par des enfants. Les jeunes enfants doivent être étroitement surveillés lorsqu'ils se trouvent à proximité de cette table de feu externe.
- Ne pas accrocher ni placer de vêtements ou autres matériaux inflammables sur ou près de la table de feu.
- Tout dispositif de sécurité ou de protection retiré pour l'entretien de l'appareil doit être remplacé avant d'utiliser l'appareil.
- L'installation et la réparation doivent être effectuées par une personne qualifiée. L'appareil doit être inspecté avant utilisation et au moins une fois par an par un technicien qualifié. Un nettoyage plus fréquent peut être requis si nécessaire. Il est impératif que le compartiment de commande, les brûleurs et les passages de circulation d'air de l'appareil soient propres.
- Conservez ces instructions pour référence ultérieure. Si vous assemblez cet appareil pour quelqu'un d'autre, donnez-lui ce manuel pour qu'il puisse le lire et l'enregistrer pour référence future.
- NE PAS utiliser cette table de feu pour cuisiner.
- NE PAS verser d'eau dans la table de feu.
- NE PAS utiliser cette table de feu externe si une pièce quelconque a été sous l'eau. Appelez immédiatement un technicien de service qualifié pour inspecter la table de feu et pour remplacer toute pièce ou le système de contrôle et tout contrôle de gaz qui a été sous l'eau.

INFORMATIONS IMPORTANTES SUR LA SÉCURITÉ (Suite)

- Cette table de feu à gaz doit être utilisée UNIQUEMENT à l'extérieur dans un endroit bien ventilé et ne doit PAS être utilisée à l'intérieur d'un bâtiment, d'un garage ou de tout autre endroit fermé.
- NE PAS utiliser cette table extérieure à feu de gaz pour le chauffage intérieur. Les fumées TOXIQUES de monoxyde de carbone peuvent s'accumuler et causer l'asphyxie.
- NE LAISSEZ JAMAIS cette table de gaz sans surveillance lorsqu'elle est en service.
- Ne pas entreposer ou utiliser de l'essence ou d'autres vapeurs et liquides inflammables à moins de 25 pieds (7,62 m) de cet appareil ou de tout autre appareil.
- Ne pas stocker de matériaux combustibles dans l'enceinte de base.
- Ne jamais utiliser de flamme pour vérifier les fuites de gaz.
- L'utilisation d'alcool, de médicaments sur ordonnance ou non prescrits peut nuire à la capacité d'un individu à assembler correctement ou à utiliser en toute sécurité cette table de feu externe.
- NE PAS utiliser dans une atmosphère explosive. Garder la zone de la table de feu à gaz libre et exempte de matières combustibles, d'essence et d'autres vapeurs et liquides inflammables.
- Cette table de feu externe ne doit pas être installée ni utilisée dans ou sur des véhicules récréatifs et / ou des bateaux.
- Toujours utiliser conformément à tous les codes locaux, nationaux et nationaux applicables. Communiquez avec votre service local d'incendie pour plus de détails sur les feux à l'air libre.
- Utilisez les mêmes précautions que vous pourriez utiliser avec tout feu ouvert lors de l'utilisation de cette table de feu à l'extérieure.
- NE PAS brûler des combustibles solides tels que le bois, les briquettes de charbon de bois, le charbon de bois massif, les billes manufacturées, le bois flotté, les déchets, les feuilles, le papier, le carton, le contreplaqué, le bois peint ou teinté ou pressé.
- N'UTILISEZ PAS cette table de cuisson extérieure tant qu'elle n'est pas ENTIÈREMENT assemblée et que toutes les pièces sont solidement fixées et serrées.
- NE PAS entreposer un autre réservoir de gaz propane à moins de 10 pieds (3,05 m) de cette table de feu externe pendant son fonctionnement.
- N'UTILISEZ PAS cette table de feu externe près d'automobiles, de camions, de fourgonnettes ou de véhicules récréatifs.
- N'UTILISEZ PAS cette table de feu externe sous une structure aérienne ou à proximité de constructions combustibles non protégées. Évitez d'utiliser près ou sous les arbres et les arbustes surplombants.
- Utilisez toujours cette table de feu externe sur une surface dure, non combustible, telle que du béton, un rocher ou de la pierre. Une surface d'asphalte ou d'asphalte peut ne pas être acceptable à cette fin.
- NE PORTEZ PAS de vêtements inflammables ou amples lorsque vous utilisez cette table de feu externe.
- NE PAS utiliser dans des conditions venteuses.
- Gardez tous les cordons électriques éloignés d'une table de feu externe chaude.
- Certaines zones de cette table de cuisson extérieure deviennent trop chaudes pour être touchées. Ne pas toucher les surfaces chaudes tant que l'appareil n'a pas refroidi, à moins que vous ne portiez un équipement de protection comme des porte-pot isolés ou des gants ou des mitaines résistants à la chaleur pour éviter les brûlures.
- NE PAS tenter de déplacer ou d'entreposer cette table de feu externe tant que toutes les pièces ne sont pas froides.
- NE VOUS penchez PAS sur cette table de feu externe lorsque vous l'allumez ou lorsque vous l'utilisez.
- Utiliser uniquement le régulateur et le tuyau fournis. Le régulateur et le tuyau de rechange doivent être ceux spécifiés par le fabricant.
- NE PAS tenter de débrancher le régulateur de gaz du réservoir ou de tout raccordement de gaz pendant que la table de feu externe est utilisée.
- Toujours fermer l'alimentation en gaz de la vanne du réservoir et débrancher le régulateur du réservoir lorsque la table de feu n'est pas utilisée.
- NE PAS s'asseoir pas sur la table de feu lorsque l'appareil est en marche.
- NE Pas jeter quoi que ce soit sur le feu lorsque l'appareil est en marche.
- Les roches de lave et les charges de verre sont très chaudes; Veuillez garder les enfants ou les animaux domestiques à une distance sécuritaire.
- Il est essentiel de maintenir le compartiment de la vanne de la table de feu, les brûleurs et les passages de circulation d'air propres. Inspecter la table de feu externe avant chaque utilisation.

INFORMATIONS IMPORTANTES SUR LA SÉCURITÉ (Suite)

- Avant chaque opération de table de feu, vérifiez que le tuyau ne présente pas d'abrasion ou d'usure excessive. Utilisez un miroir manuel pour voir les sections de tuyau situées sous l'appareil. Si le tuyau est endommagé, fissuré ou coupé, il doit être remplacé avant d'utiliser la table de feu à gaz. L'ensemble de tuyau ne peut être remplacé que par un tuyau spécifié par le fabricant. Veuillez appeler Real Flame au 1-800-654-1704.
- Avant chaque utilisation, examinez le brûleur et ses composants. Si sale, nettoyez avec une brosse douce et une solution d'eau savonneuse. Examinez également la zone autour du brûleur. Toute saleté ou matière étrangère, comme les toiles ou les nids d'araignées dans cette zone, devrait être enlevée. S'il est évident que le brûleur est endommagé, il ne faut pas utiliser la table de feu. Le brûleur doit être remplacé. Veuillez contacter Real Flame au 1-800-654-1704 pour obtenir de l'aide technique.
- Pour les tables de feu externes, placez le tuyau hors des chemins où les gens risquent de se déplacer. Ne placez pas le tuyau dans des endroits où il pourrait être endommagé accidentellement.

AVERTISSEMENT

Cette table de feu externe ne doit être utilisée qu'avec du gaz de pétrole liquéfié (LP). La conversion en Gaz Naturel (NG) doit être faite avec le kit de conversion Real Flame approuvé et doit être effectuée par un professionnel du gaz. Ne pas le faire peut entraîner des dommages matériels, des blessures ou la mort.

ATTENTION: Toute modification de la table de feu externe qui n'est pas spécifiquement indiquée dans le manuel d'utilisation annule la garantie du fabricant.

DANGERS ET AVERTISSEMENTS DE GAZ PROPANE (LP)

GAZ LP

Le gaz LP est inflammable et dangereux s'il est mal manipulé. Prenez conscience des caractéristiques avant d'utiliser un produit de gaz LP.

Caractéristiques du Propane

- Inflammable, explosif sous pression, plus lourd que l'air et s'installe dans les piscines dans les zones basses.
- Dans son état naturel, le propane n'a aucune odeur. Pour votre sécurité, un odorant a été ajouté.
- Le contact avec le propane pourrait brûler votre peau.
- Le propane est extrêmement inflammable et dangereux s'il est mal manipulé.

AVERTISSEMENTS DE GAZ LP

- Les bouteilles doivent être stockées à l'extérieur dans un endroit bien ventilé et hors de la portée des enfants.
- Les bouteilles débranchées doivent être munies de bouchons de valves anti-poussières et ne doivent pas être stockées dans un bâtiment, un garage ou tout autre endroit fermé.
- N'utilisez jamais un cylindre de propane avec un corps, une vanne, un collier ou un pied endommagé.
- Les bouteilles de propane endommagées ou rouillées peuvent être dangereuses et doivent être vérifiées par votre fournisseur de gaz propane.
- Assurez-vous d'utiliser une seule bouteille de gaz LP de 20 lb (9,1 kg) avec une valve de type 1 avec cet appareil, conformément aux exigences de l'American National Standards Institute (ANSI) et du Canadian Steering Committee.
- Seuls les réservoirs marqués «propane» peuvent être utilisés.
- Le réservoir d'alimentation en gaz LP doit être construit et marqué conformément aux Spécifications pour les réservoirs de gaz LP et de gaz LP du U.S. Department of Transportation (DOT) ou de la National Standard of Canada, CAN/CSA-B339, les réservoirs de gaz LP, les Sphères et Tubes Pour le transport des Marchandises Dangereuses; et Commission.
- Le réservoir de gaz propane doit être disposé pour le retrait des vapeurs.

DANGERS ET AVERTISSEMENTS DE GAZ PROPANE (LP) (Suite)

- Le réservoir de gaz propane doit être muni d'un dispositif de protection contre les surcharges (OPD) et d'un raccord de réservoir de gaz LP de type QCCI ou Type I (CGA810).
- Le réservoir de gaz LP doit être muni d'un collet pour protéger la vanne du réservoir.
- Le cylindre de gaz LP doit contenir un robinet d'arrêt tel que spécifié dans la norme pour la sortie de la vanne du cylindre à gaz comprimé et la connexion d'entrée, ANSI/CGA-V-1-1977, CSA B96.
- Le réservoir de gaz LP ne doit pas être laissé tomber ou manipulé grossièrement.
- Les réservoirs doivent être entreposés hors de la portée des enfants. NE PAS stocker dans un bâtiment, un garage ou tout autre endroit fermé.
- Ne jamais entreposer votre réservoir de gaz LP où les températures peuvent atteindre plus de 125 ° F.
- Ne pas stocker la bouteille de gaz LP à la lumière directe du soleil ou près d'une source de chaleur ou de combustion.
- Ne jamais garder un réservoir de gaz LP rempli dans une voiture chaude ou un coffre de voiture. La chaleur fera augmenter la pression du gaz, ce qui peut ouvrir la soupape de décharge et permettre au gaz de s'échapper.
- Placez le bouchon anti-poussière sur la sortie de la vanne chaque fois que le réservoir de gaz LP n'est pas utilisé. Installez uniquement le type de bouchon anti-poussière sur la sortie de la vanne du réservoir de gaz LP qui est fourni avec la vanne du réservoir de gaz LP. D'autres types de bouchons ou de connecteurs peuvent entraîner une fuite de propane.
 - a. Ne pas entreposer une bouteille de gaz de remplacement sous ou près de cet appareil.
 - b. Ne remplissez jamais la bouteille de gaz LP au-delà de 80%.
 - c. Si les informations des points a) et b) ne sont pas suivies exactement, un incendie peut causer la mort ou des blessures graves.
- Les bouteilles de gaz LP ne doivent être remplies que par un concessionnaire de gaz LP certifié.
- Le régulateur de pression est réglé sur 11 pouces de colonne d'eau (pression).
- La pression normale d'entrée de gaz pour cette table de feu externe est de 11 pouces de pression dans la colonne d'eau.
- N'essayez jamais de fixer cet appareil au système de gaz propane autonome d'une caravane, à un camping-car ou à une maison.
- Utilisez toujours le régulateur de pression et le tuyau fournis avec l'appareil pour le raccordement à une bouteille de gaz LP. Ne jamais raccorder à une alimentation non réglementée en gaz LP. Pour obtenir de l'aide technique, communiquez avec Real Flame au 1-800-654-1704.
- Tournez à la main la vanne de commande manuelle de gaz. N'utilisez jamais d'outils. Si la vanne ne tourne pas à la main, n'essayez pas de la réparer. Appelez un technicien en gaz certifié. L'utilisation de la force ou toute tentative de réparation peut entraîner un incendie ou une explosion.
- Les enfants et les adultes devraient être alertés des dangers des hautes températures de surface et doivent rester à l'écart pour éviter les brûlures ou l'inflammation des vêtements.
- Les jeunes enfants doivent être soigneusement surveillés lorsqu'ils se trouvent dans la zone de l'appareil.
- Les vêtements ou autres matières inflammables ne doivent pas être accrochés à l'appareil ou placés sur ou près de l'appareil.
- Tout dispositif de sécurité ou de protection retiré pour l'entretien de l'appareil doit être remplacé avant d'utiliser l'appareil.
- L'installation et la réparation doivent être effectuées par une personne qualifiée. L'appareil doit être inspecté avant utilisation et au moins une fois par an par un technicien qualifié. Un nettoyage plus fréquent peut être requis si nécessaire. Il est impératif que le compartiment de commande, les brûleurs et les passages de circulation d'air de l'appareil soient propres.

Raccordement de votre bouteille de gaz

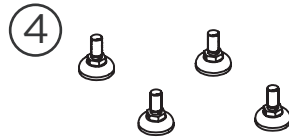
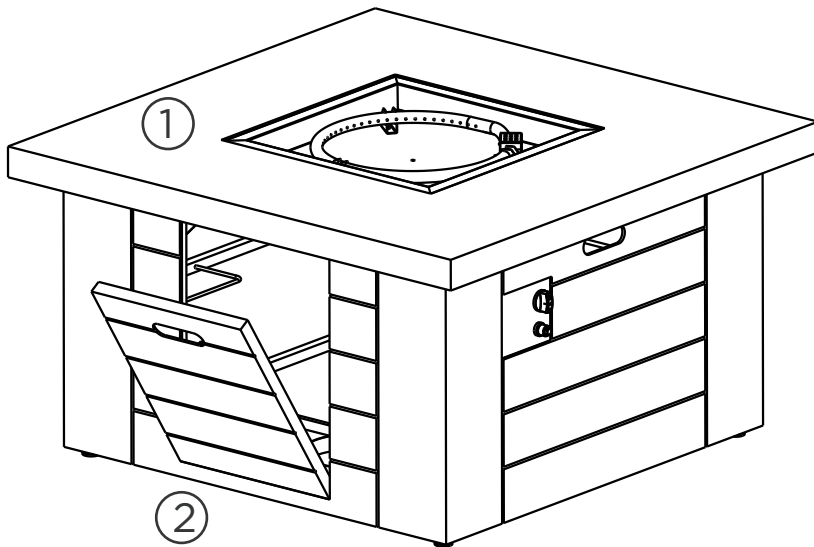
Avant la connexion, s'assurer qu'il n'y a pas de débris pris dans la tête de la bouteille de gaz, la tête de la vanne de régulation ou dans la tête du brûleur et ses orifices du brûleur. Raccordez la soupape du régulateur et serrez fermement. Débrancher la bouteille de propane de la vanne du régulateur lorsque la table de feu n'est pas utilisée. NE PAS obstruer le flux et la ventilation d'air de combustion vers le brûleur.

ASSEMBLAGE ET REMPLACEMENT DES TUYAUX ET RÉGULATEURS

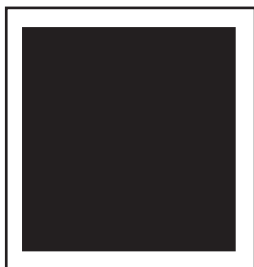
1. Cette table de feu est équipée d'un tuyau et d'un régulateur de gaz LP standard incluant la connexion latérale de l'appareil pour un dispositif de connexion cylindre CGA No 791. Le tuyau et le régulateur de gaz LP fournis avec cette table de feu doivent être utilisés. Seul un tuyau et un régulateur spécifiés par le fabricant peuvent être utilisés pour le remplacement.
 - a. Connexion CGA n ° 791 intègre d'un dispositif limiteur de flux magnétique qui agit pour limiter le flux de gaz en cas de détection d'une fuite entre le régulateur et la vanne du brûleur.
 - b. Si la vanne du brûleur est ouverte avant l'ouverture de la vanne de service de la bouteille de gaz LP, la connexion interprètera ce flux de gaz libre comme une fuite.
 - c. La sécurité de raccordement réduira le débit de gaz du régulateur à l'appareil à un niveau minimal.
 - d. Assurez-vous que la valve de commande du brûleur est fermée avant d'ouvrir la vanne de service de la bouteille de gaz LP pour s'assurer que le limiteur de débit de raccordement ne soit pas déclenché par erreur.
 - e. Si le limiteur de débit de raccordement est déclenché par erreur, fermez la vanne de service de la bouteille de gaz LP et la vanne du brûleur, attendez 10 secondes pour remettre l'appareil en marche, ouvrez la vanne de service du cylindre, ouvrez la vanne du brûleur et allumez le comme dans les instructions.
2. Veillez à protéger le tuyau de toute surface chaude. Si le tuyau entre en contact avec une surface chaude, cela peut entraîner un risque important.
3. Entretien régulier du tuyau et du régulateur:
 - a. Inspecter le tuyau avant chaque utilisation de la table de feu. Utilisez un miroir manuel pour voir les sections de tuyau situées sous l'appareil. Si le tuyau présente des signes de fissures, d'abrasions, de coupures ou de dégâts de quelque nature que ce soit, ne pas faire fonctionner la table de feu. Fixez ou remplacez le tuyau comme nécessaire avant d'utiliser la table de feu. Pour obtenir de l'aide sur la réparation ou le remplacement du tuyau, appelez Real Flame au 1-800-654-1704. Utilisez uniquement des pièces de rechange du fabricant.
 - b. Inspecter le joint d'étanchéité à l'intérieur de la vanne de service CGA No 791 sur la bouteille de gaz LP lors du remplacement du cylindre ou au moins une fois par an. En cas de dommages éventuels, faire remplacer le joint par un concessionnaire agréé de gaz avant d'utiliser la table de feu.
4. N'utilisez pas d'outils pour serrer l'écrou de raccordement CGA No 791 sur la vanne de service de la bouteille de gaz LP. Serrez seulement à la main.
5. Veillez à ne pas croiser les filetages de la connexion en serrant la connexion CGA No 791 sur la vanne de service de la bouteille de gaz LP.
6. Le «Test de Fuite» doit toujours être effectué après avoir fixé la connexion à la vanne de service de la bouteille de gaz LP. (Voir la section «Vérification des Fuites» de ce manuel à la page 12)
7. Pour raccorder le tuyau et le régulateur à la cuve LP, reportez-vous à la section "Raccordement" de la section de la bouteille de gaz LP ci-dessus.

LISTE DES PIÈCES

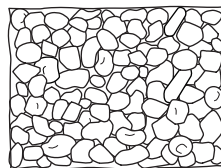
①	Table de Feu	Pas disponible	1
②	Porte	16003702	1
③	Tuyau et Régulateur LP	96000002	1
④	Pieds (Lot de 4)	05600006	1
⑤	Batterie AAA	Pas disponible	1
⑥	Pierre Volcanique	05603408	1 Boîte
⑦	Couvercle de protection	16000107	1
⑧	Kit de conversion NG	00023103	1



⑦



⑥



⑧

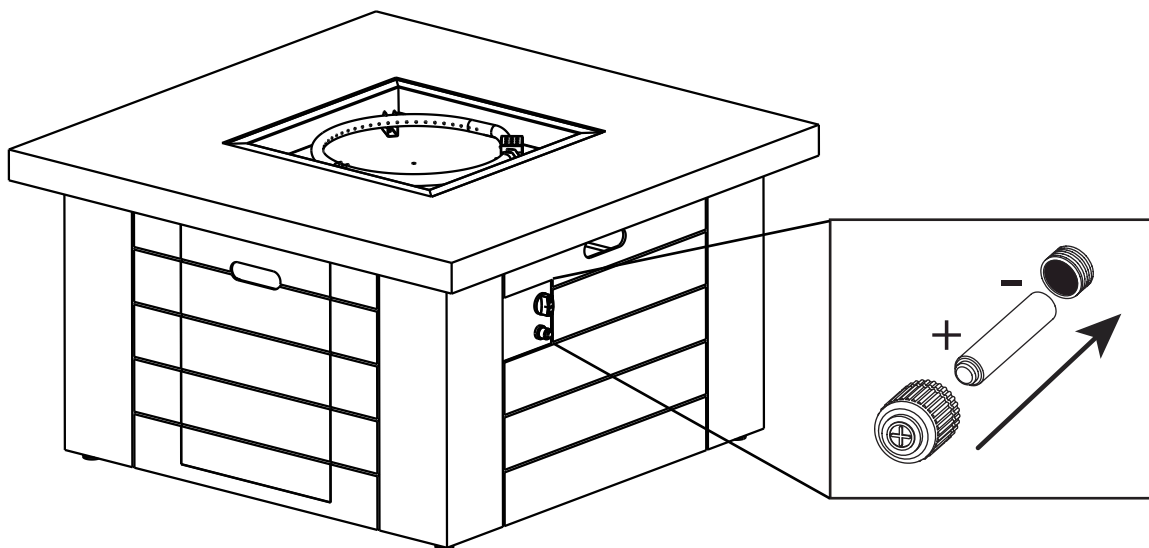


⑤

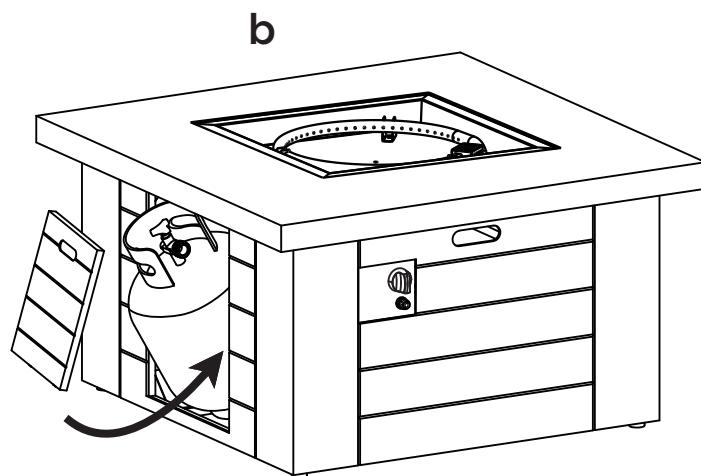
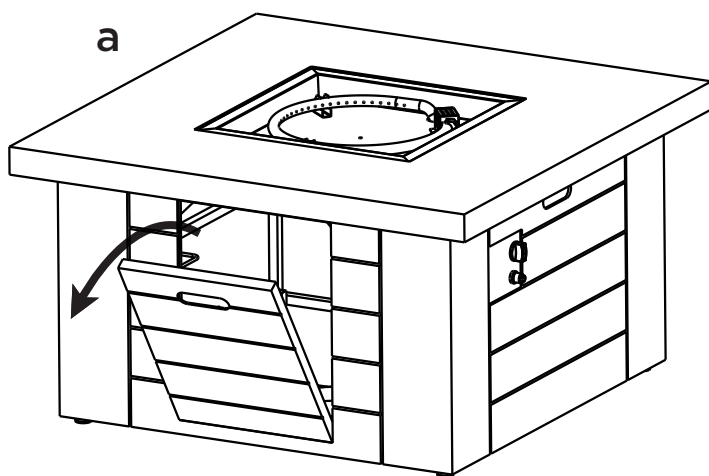


INSTRUCTIONS DE MONTAGE

1.) Installez la pile AAA comme indiqué dans le schéma ci-dessous.



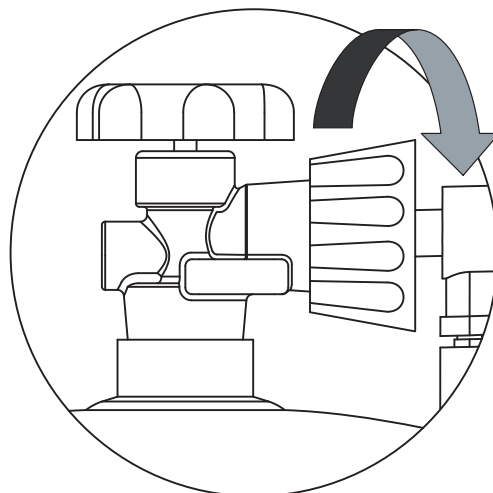
2.) Ouvrez la porte pour placer le réservoir de propane LP (a).
Placez le réservoir de propane LP sur le support de réservoir métallique à l'intérieur du corps de la table de feu (b).



3.) Connectez le réservoir de Gaz LP

Assurez-vous qu'il n'y ai pas de débris
Dans la tête du réservoir de gaz LP ou dans la
tête de la vanne de régulation. Assurez-vous de
vérifier le brûleur ainsi que les ports du brûleur.

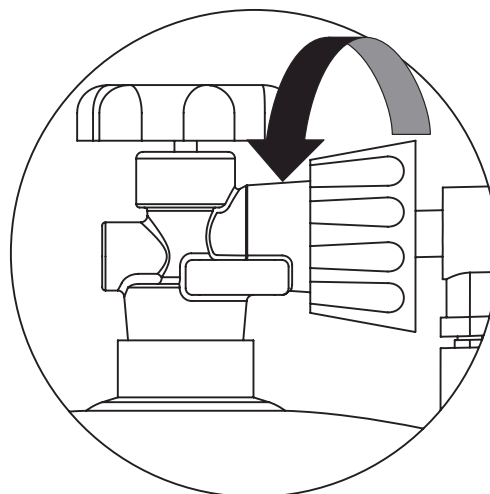
Raccordez la conduite de gaz au réservoir en
tournant le bouton dans le sens des aiguilles d
'une montre. Serrez seulement à la main.



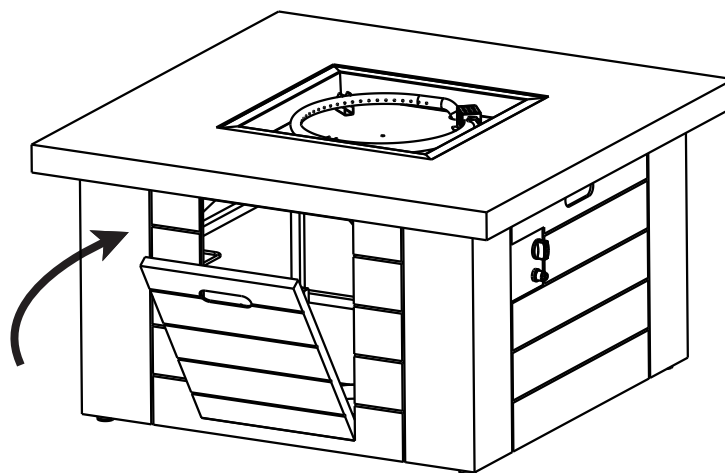
Déconnectez le réservoir de Gaz LP

Assurez-vous que la vanne du réservoir de gaz
LP est éteinte.

Débranchez en tournant le bouton dans le
sens inverse des aiguilles d 'une montre
jusqu'à ce qu'il soit détaché de la vanne.

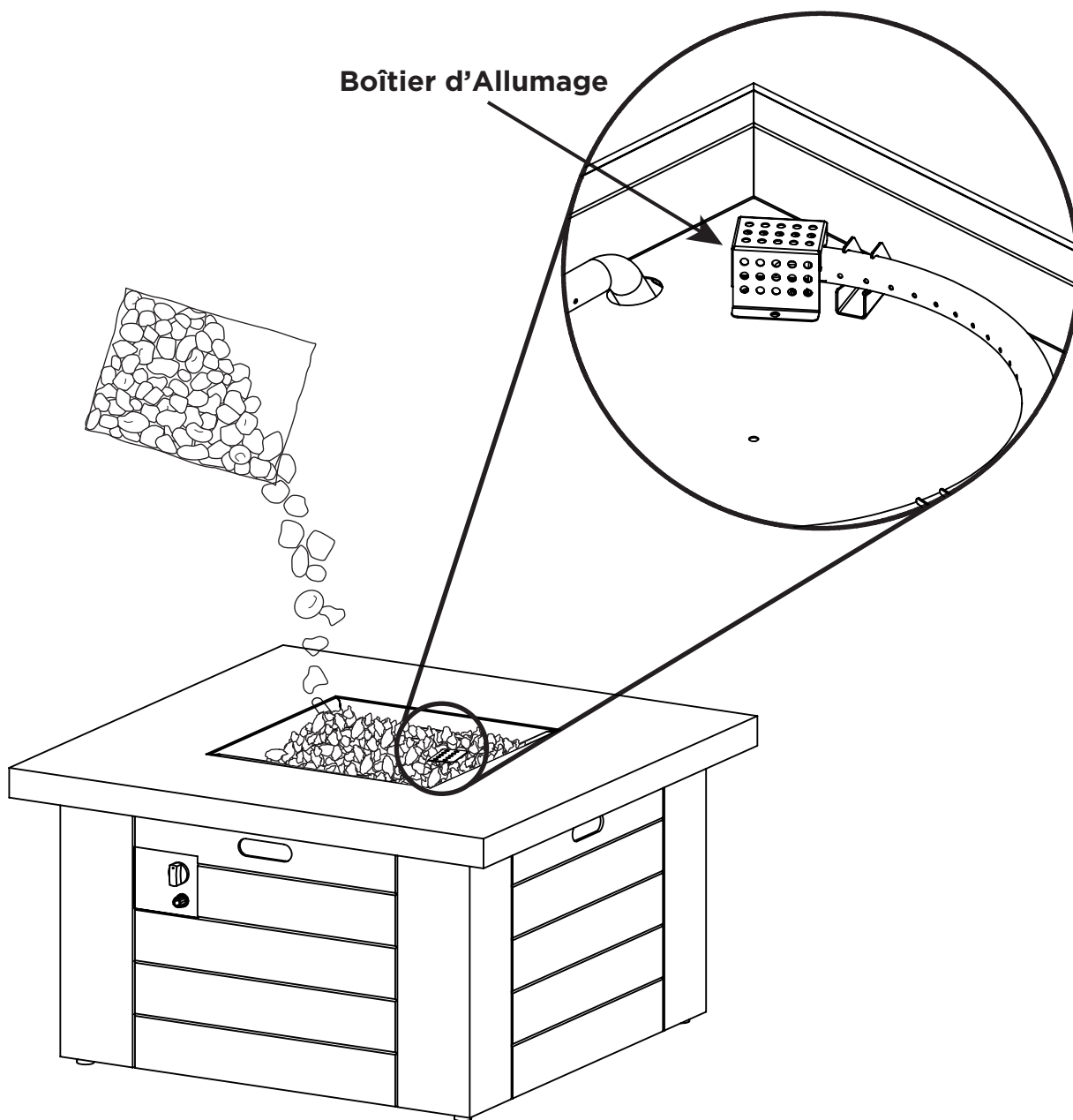


Une fois que le réservoir de propane LP est correctement connecté au
tuyau du régulateur LP, remplacez la porte.



INSTRUCTIONS DE MONTAGE

- 4.) Placez la pierre volcanique à la main. NE PAS renverser le sac dans le bac pour éviter de colmater le brûleur avec de la poussière. Placez la pierre volcanique à travers la zone de brûlure à un niveau couvrant juste le brûleur. Assurez-vous de ne pas bloquer le boîtier de l'allumeur avec de la pierre volcanique pour assurer un allumage correct.



Avertissement de la Pierre Volcanique et du Verre d'Obturation

1. Ne remplissez pas trop la zone du brûleur avec de la roche ou du verre d'obturation. La profondeur de la garniture ne doit pas être supérieure à un pouce au-dessus du tube du brûleur. Seuls les produits du remplisseur de Real Flame ont été certifiés et testés par la CSA pour une utilisation sûre avec cette table de feu à flamme réelle; N'utilisez pas d'autres matériaux de remplissage.
2. Ne pas allumer ou utiliser cette table de feu si le remplisseur est mouillé. Assurez-vous que le remplisseur est complètement sec avant l'allumage. Une chaleur intense peut provoquer l'explosion du remplisseur humide et blesser quelqu'un.
3. Veuillez garder à l'écart de la table de feu pendant au moins 20 minutes lors de la mise en marche initiale, car la charge peut retenir un peu d'humidité de la fabrication et de l'expédition.

INSTRUCTIONS DE PRÉ-UTILISATION

AVERTISSEMENT Avant d'utiliser cette table de feu externe, assurez-vous d'avoir lu, compris et suivi toutes les informations fournies dans la section Informations importantes de sécurité de ce manuel. L'échec de suivre ces instructions peut causer la mort, la blessure grave ou des dommages matériels.

Avant chaque opération de table de feu, vérifiez que le tuyau et la vanne ne présentent pas d'abrasion ou d'usure excessive.

VÉRIFICATION POUR LES FUITES

Faire une solution de contrôle d'étanchéité en mélangeant 1 partie de savon à vaisselle avec 3 parties d'eau dans un vaporisateur.

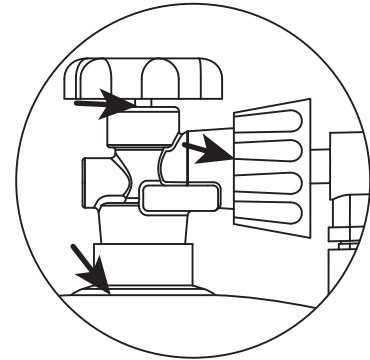
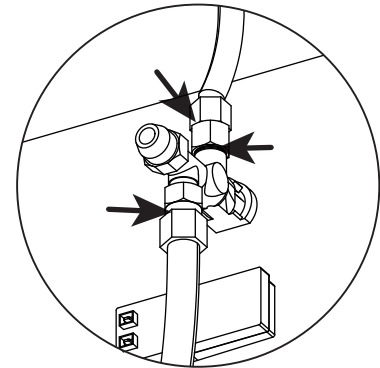
Assurez-vous que le bouton de commande est sur DESACTIVÉ. Ensuite, mettez le réservoir de gaz LP sur à la vanne.

Pulvérisez une solution de fuite sur les raccords de vanne en accordant une attention particulière aux zones indiquées par les flèches.

Si des bulles apparaissent, mettez le réservoir de gaz LP hors tension, reconnectez-le et ré-essayez. Si vous continuez à voir des bulles après plusieurs tentatives, débranchez la source de gaz LP et communiquez avec Real Flame au 1-800-654-1704 pour obtenir de l'aide.

Si aucune bulle n'apparaît après une minute tournez le réservoir sur DESACTIVÉ, essayez la solution et continuez.

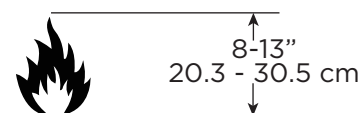
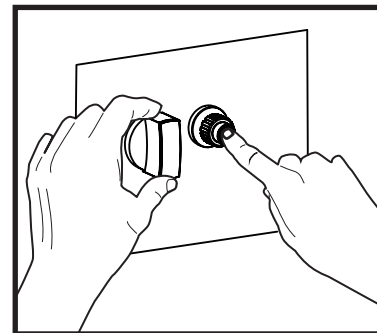
Vérifiez les fuites à ces emplacements.



INSTRUCTIONS D'ÉCLAIRAGE

Utilisation de l'allumeur

1. Lisez et comprenez toutes les instructions d'utilisation avant l'allumage.
2. Le bouton de commande du brûleur doit être en position DESACTIVÉ.
3. Connectez le réservoir de propane (LP) (voir pages ci-dessus).
4. Ouvrez lentement la vanne sur le réservoir de gaz LP.
5. Poussez et maintenez le bouton d'allumage
6. Tout en tenant le bouton d'allumage d'une main, utilisez l'autre main pour pousser et tourner le bouton de commande à la position ALLUMÉ pour allumer le brûleur.
7. Maintenez le bouton de contrôle du brûleur enfoncé pendant 15 à 30 secondes après l'allumage.
8. Si l'allumage ne se produit pas en 30 secondes, tournez le bouton de commande à la position DESACTIVÉ et éteignez le gaz à la source, attendez 5 minutes jusqu'à ce que le gaz soit dégagé et répétez l'opération d'allumage.
9. Après l'éclairage, tournez le bouton de contrôle du brûleur dans le sens antihoraire à réglage LOW. Observez les flammes, assurez-vous que tous les ports du brûleur sont allumés. La hauteur de la flamme ne doit pas dépasser 13 pouces de hauteur.
10. Ajustez la flamme à la hauteur désirée avec le bouton de commande.



Utilisation d'une longue Allumette ou briquet

1. Avant l'allumage, utilisez une pelle pour déplacer le fourreau pour accéder au brûleur
2. En portant des gants résistant à la chaleur, placez la longue allumette brûlant ou briquet au butane près du côté du brûleur. NE PAS se pencher sur la table de feu pendant l'allumage!
3. Tournez le bouton de commande dans le sens inverse des aiguilles d'une montre sur ALLUMER.
4. Retirer la longue allumette /le long briquet à butane.
5. Après l'éclairage, utilisez une pelle et des gants résistant à la chaleur pour remonter soigneusement le remplisseur dans la bonne position.
6. Après l'éclairage, utilisez une pelle et des gants résistant à la chaleur pour remonter soigneusement le remplisseur dans la bonne position.
7. Après l'éclairage, tournez le bouton de contrôle du brûleur dans le sens contraire des aiguilles d'une montre à réglage FAIBLE.



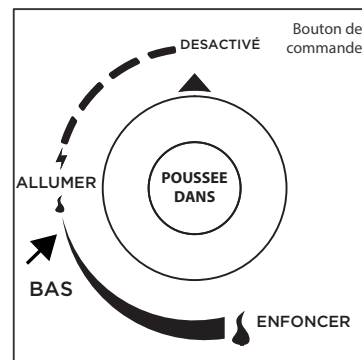
⚠ AVERTISSEMENT

Lorsque vous utilisez cette méthode pour allumer votre table de feu, utilisez des gants résistants à la chaleur et suivez les instructions pas à pas. Faut de quo pourrait entraîner des blessures graves.

⚠ AVERTISSEMENT

Si la flamme du brûleur s'éteint pendant le fonctionnement, éteignez immédiatement le bouton de commande et laissez le gaz sévacuer au moins 5 minutes avant de tenter de ré-allumer la table de feu.

Reportez-vous s'il vous plait aux pages de dépannage pour obtenir de l'aide supplémentaire, à partir de la page 17.



ENTRETIEN ET NETTOYAGE

Inspection

Cette table de feu externe doit être inspectée régulièrement pour s'assurer que l'utilisation du produit est sans danger et pour prolonger la vie du produit.

⚠ AVERTISSEMENT NE PAS inspecter cette table feu externe jusqu'à ce que le feu soit complètement éteint.

1. Assurez-vous que toutes les pièces sont solidement fixées en place. Si une pièce se déplace lorsqu'elle est touchée, vérifiez ses points de connexion pour voir s'ils sont perdus.
2. Vérifiez toutes les connexions de gaz pour les fuites.
3. Contrôlez le système d'allumage pour assurer une bonne étincelle.
4. Vérifiez si les composants présentent des signes de dommages, de rouille ou d'usure excessive.
5. Si des dommages à un composant sont détectés, NE PAS faire fonctionner jusqu'à ce que les réparations appropriées aient été effectuées.

⚠ AVERTISSEMENT NE PAS manipuler cet appareil. Ceci est DANGEREUX et annulera la garantie. Toute pièce jugée défectueuse doit être remplacée par une pièce approuvée, confirmée par le fabricant. Pour obtenir de l'aide technique, communiquez avec Real Flame au: 1-800-654-1704.

Entretien et Nettoyage Généraux

1. Cette table de feu externe doit être nettoyée régulièrement pour assurer une utilisation sûre et prolonger la durée de vie du produit. REMARQUE: Après une utilisation répétée, une légère décoloration de la finition peut se produire.

⚠ AVERTISSEMENT NE PAS tenter de nettoyer cette table de feu à l'extérieur sauf si le feu est complètement éteint et l'appareil est froid au toucher.
N'UTILISEZ PAS de nettoyant pour four ou abrasif, car ils pourraient endommager ce produit.
N'UTILISEZ PAS DE SOLVANTS dans des endroits fermés ou fumant.

Table

1. Essuyer les surfaces extérieures avec un savon à vaisselle doux, puis rincer à l'eau.

Stockage:

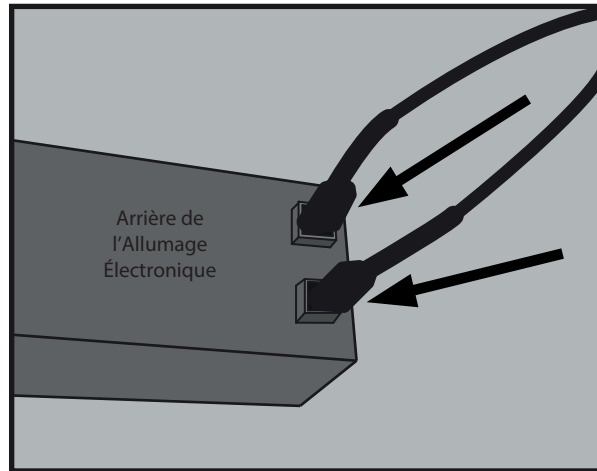
⚠ AVERTISSEMENT NE PAS déplacer ni stocker cette table de feu sauf si le feu est complètement éteint et est frais au toucher.

1. Éteignez le gaz à la connexion du réservoir. Retirez le réservoir et rangez le dans un endroit frais et sec à l'extérieur, loin des enfants.
2. Retirez soigneusement la charge et rangez les composants à plat pour les protéger des fractures.
3. TOUJOURS couvrir votre table de feu externe quand elle n'est pas utilisée. Le couvercle protégera les composants mécaniques de la saleté et des débris, empêchera à l'eau de faire des flaques sur la surface de la table de feu et empêche aux craquellements et la décoloration de la finition.
4. Entreposer dans un endroit frais et sec, loin des enfants et des animaux domestiques.

CONTRÔLES DE CONNEXION DE COMPOSANTS GAZEUX

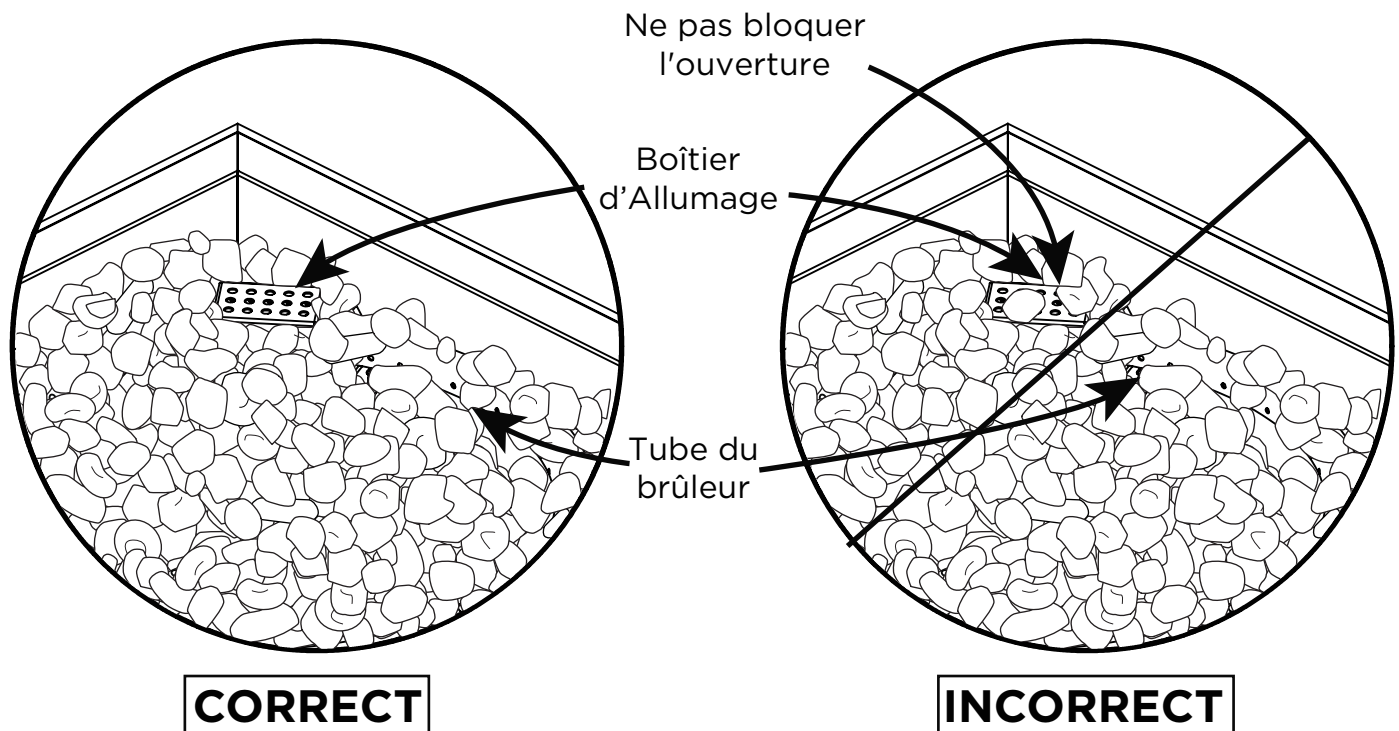
Si le brûleur ne s'allume pas ou reste allumé, effectuez les vérifications suivantes.

1. Assurez-vous que le fil d'électrode est correctement connecté.

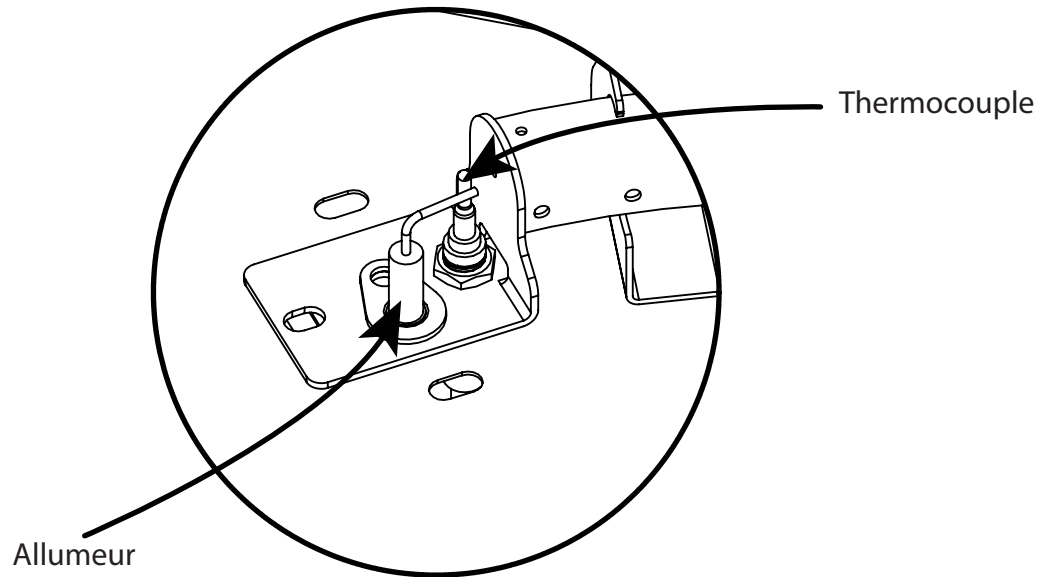


2. Assurez-vous que le boîtier de l'allumeur n'est pas obstrué.

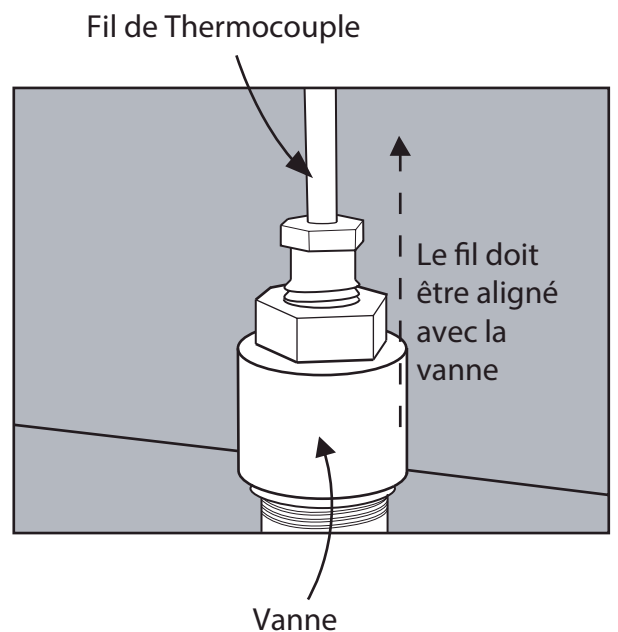
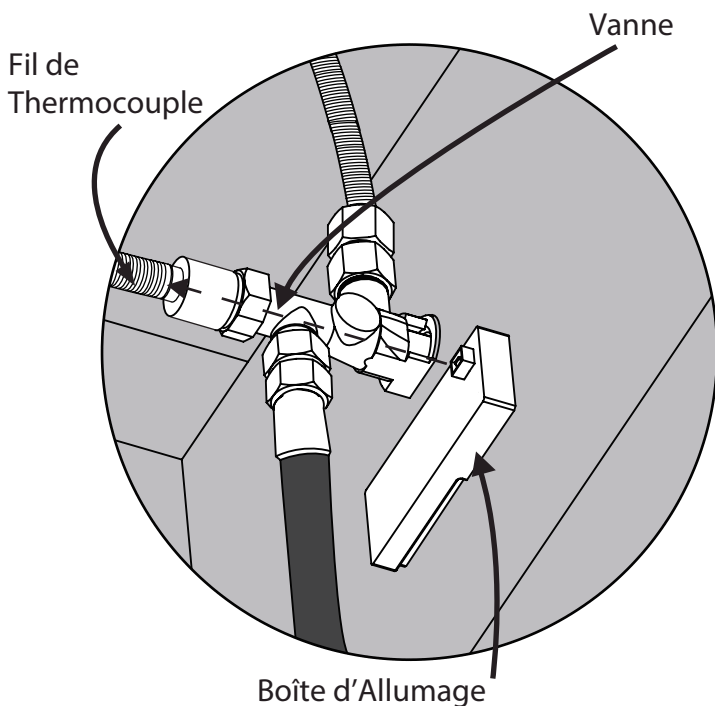
Enlevez les débris sur le dessus du boîtier de l'allumeur et assurez-vous qu'il n'y a pas de débris entre la broche de l'allumeur, le thermocouple et le tube du brûleur.



CONTRÔLES DE CONNEXION DE COMPOSANTS GAZEUX



3. Assurez-vous que la goupille d'allumage et le thermocouple sont correctement positionnés.
- La goupille d'allumage doit être dirigée vers le thermocouple.
 - Le thermocouple doit être placé à 5 mm du tube de combustion.



4. Assurez-vous que le fil du thermocouple est correctement positionné. Le fil du thermocouple doit être aligné avec la vanne.

DÉPANNAGE

Problème: Le brûleur ne s'allume pas à l'aide d'un allumeur

Cause Possible 1: Les électrodes et les brûleurs sont mouillés.

- Séchez à l'aide d'un chiffon.

Cause Possible 2: La batterie de l'allumeur est morte ou dans le mauvais sens.

- Vérifiez que la pile AAA est insérée correctement dans l'allumeur (voir page 9) ou remplacez la pile.

Cause Possible 3: Goupille d'allumage fissurée ou cassée - étincelles à la fissure.

- Veuillez contacter Real Flame au 1-800-654-1704 pour obtenir de l'aide technique.

Cause Possible 4: Câble desserré ou déconnecté.

- Page 16 pour référence, étape 1, reconnectez le fil. Veuillez appeler Real Flame au 1-800-654-1704.

Cause Possible 5: Fil court-circuitant (étincelles) entre l'allumeur et l'électrode.

- Veuillez contacter Real Flame au 1-800-654-1704 pour obtenir de l'aide.

Cause Possible 6: La Goupille d'allumage ne pointe pas vers le thermocouple.

- Reportez-vous à la page 16, tournez l'électrode pour pointer le thermocouple.

Cause Possible 7: Mauvais Allumeur.

- Veuillez contacter Real Flame au 1-800-654-1704 pour obtenir de l'aide.

Problème: Le brûleur ne s'allume pas avec l'allumette

Cause Possible 1: Pas de débit de gaz.

- Vérifiez si le réservoir de gaz LP est vide. S'il est vide, remplacez et remplissez. Si le réservoir de propane n'est pas vide, voir "Problème: Chute soudaine du débit de gaz" à la page suivante.

Cause Possible 2: L'écrou d'accouplement et le régulateur ne sont pas complètement raccordés.

- Tournez l'écrou d'accouplement d'environ un demi-trois quarts de tour, jusqu'à ce que vous sentiez un arrêt solide. N'utilisez pas les outils, serrez seulement à la main.

Cause Possible 3: Obstruction du flux de gaz.

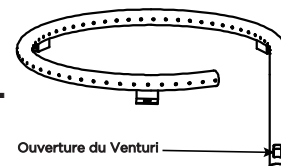
- Vérifiez que le tuyau est plié ou plié.

Cause Possible 4: Des tissus d'araignée ou des insectes nichent dans le venturi.

- Nettoyer le Venturi à l'air comprimé.

Cause Possible 5: Les ports du brûleur sont obstrués ou bloqués.

- Reference "Problème: Modèle de flamme irrégulière" à la page suivante. Nettoyez les ports du brûleur comme décrit dans ce manuel.



Problème: La table de feu émet beaucoup de fumée noire lorsqu'elle est utilisée

Cause Possible 1: Le tuyau de la table de feu est pincé.

- Assurez-vous que le tuyau n'est pas pincé entre la table de feu et la source de gaz.

Cause Possible 2: La flamme est obstruée aux ports du brûleur.

- Veillez à ce que les orifices de gaz du brûleur ne contiennent aucun verre d'obturation pour que la flamme puisse circuler naturellement.

Pour obtenir de l'aide technique, contactez Real Flame au: 1-800-654-1704

DÉPANNAGE

Problem: Sudden drop in gas flow, or a reduced flame height

Cause Possible 1: Pas de gaz.

- Remplissez ou échangez votre réservoir de PL.

Cause Possible 2: Le dispositif de sécurité de débit excessif peut avoir été activé.

- Votre appareil est équipé d'un arrêt de sécurité automatique pour empêcher au gaz de s'écouler si la flamme s'éteint. Pour que l'appareil fonctionne, les flammes doivent être en contact avec le thermocouple situé dans le boîtier de l'allumeur. Inspectez visuellement le thermocouple et le boîtier de l'allumeur pour vous assurer qu'il n'y a pas d'obstacles tels que le verre d'obturation et que les flammes sont en contact avec le thermocouple.

Problème: Si la flamme est irrégulière, la flamme ne tourne pas sur toute la longueur du brûleur

Cause Possible : Les ports du brûleur sont obstrués ou bloqués.

- Nettoyez les ports du brûleur.

Pour ce faire, insérez un trombone dans chacun des ports du brûleur pour vous assurer qu'ils ne sont pas bouchés.

AVERTISSEMENT: Assurez-vous que le brûleur n'est pas allumé et que l'alimentation en gaz a été correctement déconnectée. Laissez refroidir 15 minutes avant de le toucher.

Problème: Flamme Soufflée

Cause Possible 1: Vents forts et rafales.

- Ne pas utiliser de table de feu.

Cause Possible 2: Faible en gaz LP.

- Remplacez ou remplissez le réservoir de gaz LP.

Cause Possible 3: Déclenchement du robinet de débit excessif.

- Voir "Problème: Chute soudaine du débit de gaz "

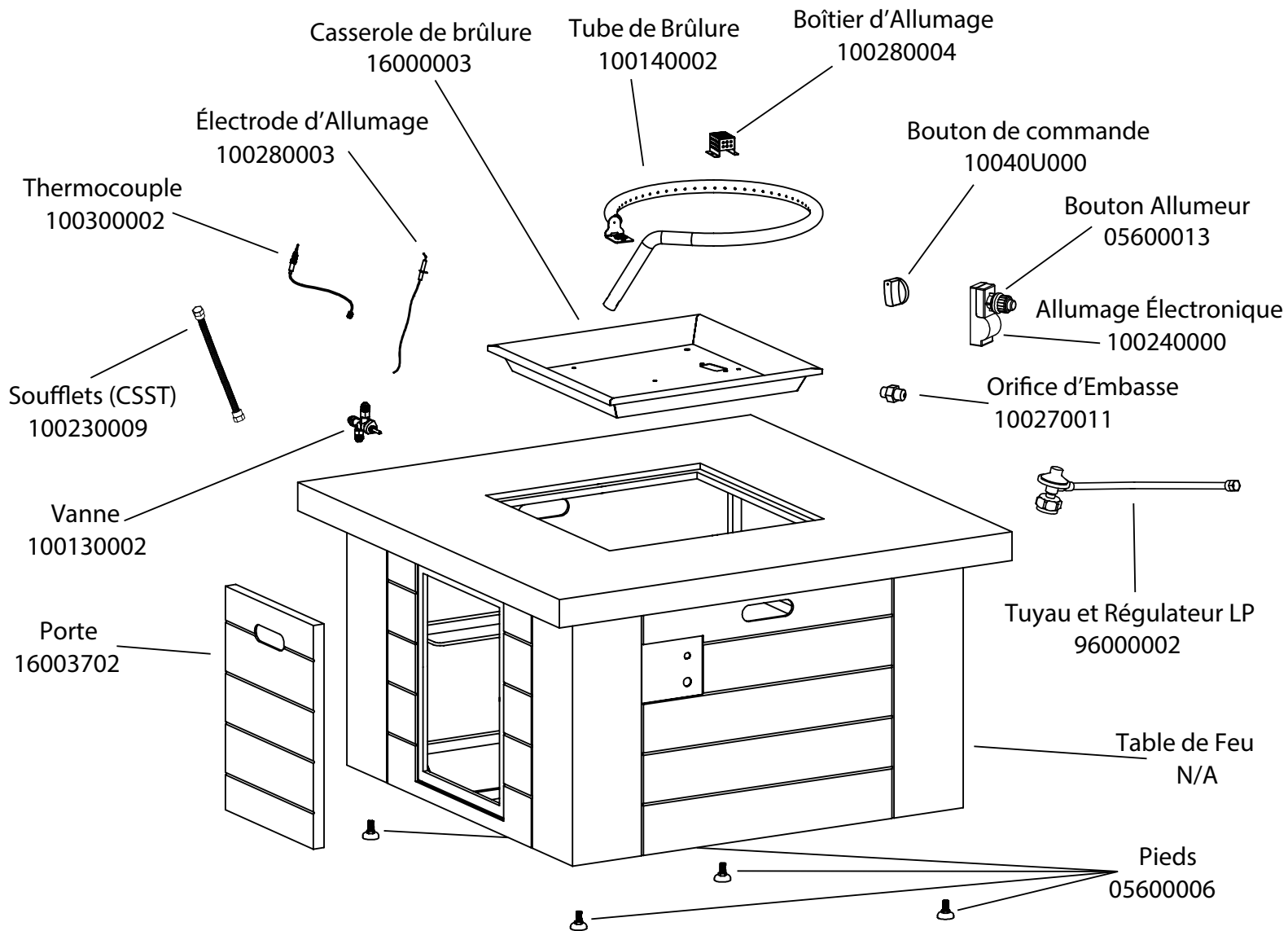
Problème: La flamme semble perdre de la chaleur lorsqu'elle brûle par temps froid - température inférieure à 50°F

Cause Possible 1: La glace s'est accumulée à l'extérieur du réservoir de gaz LP parce que le processus de vaporisation est trop faible.

- Tournez le bouton de commande et le réservoir de gaz LP à DESACTIVÉ. Remplacez avec un réservoir de gaz LP de réserve et reprenez la combustion. Rangez le réservoir de gaz LP de rechange dans un endroit bien ventilé, loin des enfants.

Si ces étapes de dépannage ne parviennent pas à résoudre le problème, appelez Real Flame au: 1-800-654-1704

LISTE DES PIÈCES TECHNIQUES



Kit de Conversion de Gaz
00023103

Garantie et Politique de retour

Garantie

La société Real Flame® garantit que les appareils et les accessoires de gaz Real Flamme sont exempts de défauts dans les pièces en usage normal et en service pendant une période d'un an à compter de la date d'achat et défectueux des produits finis pour une période de 1 ans à compter de la date d'achat . En cas de tels défauts, Real Flame remplacera, à son choix, le produit défectueux ou remboursera le prix d'achat. Ce qui précède constitue le remède exclusif et Real Flame renonce à toutes les autres garanties, y compris toute garantie implicite de qualité marchande ou d'adaptation à un usage particulier. En outre, Real Flame ne sera pas responsable des dommages consécutifs au-delà du prix d'achat du produit sur lequel cette responsabilité est fondée.

Politique de Retour

Vous pouvez retourner votre achat dans les 90 jours suivant la réception. Il n'y aura aucun remboursement pour de renvois incomplets ou non autorisés. Tous les produits retournés doivent être à 100 % complets, emballé d'une manière adéquate, dans l'emballage original et dans une condition revendable. Les produits qui ont été assemblés ou modifiés ne seront pas admissibles au retour. Tous les articles doivent être retournés dans leur intégralité, signifiant que tous les articles inclus doivent être retournés ensemble. Aucuns échanges ou retours pour les articles retirés. Veuillez commencer le processus de retour en contactant le magasin ou l'entreprise où vous avez acheté votre article de Real Flame.

Pièces de Rechange

ans le cas où un article a été perdu ou détérioré, soit par le fabricant ou pendant le transport, vous pouvez solliciter une pièce de rechange. Les pièces de rechange ne sont pas disponibles pour toutes les unités et sont donnés à la discrétion de Real Flame. Nous évaluerons tous les dommages et trouverons une solution qui pourrait inclure l'expédition d'un remplacement On ne peut pas remplacer les articles retirés ou les produits remballés (emballage ouvert). S'il vous plait appelez le Service Client de Real Flame 800-654-1704 pour les pièces de rechange avant de retourner l'article endommagé. Veuillez avoir les informations suivantes (qu'on peut trouver dans le manuel d'utilisation) à portée de main avant d'appeler Service Client.

- Numéro de Modèle de l'Article
- Numéro de pièce de 4-8 chiffres
- Numéro de Code du Lot
- Adresse de Livraison
- Une photo de l'article endommagé peut être demandée. Les photos doivent être envoyées à ustserv@realflame.com

Ordre Incorrect Reçu

Si vous avez reçu quelque chose d'autre que vous avez commandé, veuillez contacter le Service Client de Real Flame sur 800-654-1704 dans un délai de 48 heures après avoir reçu l'article.

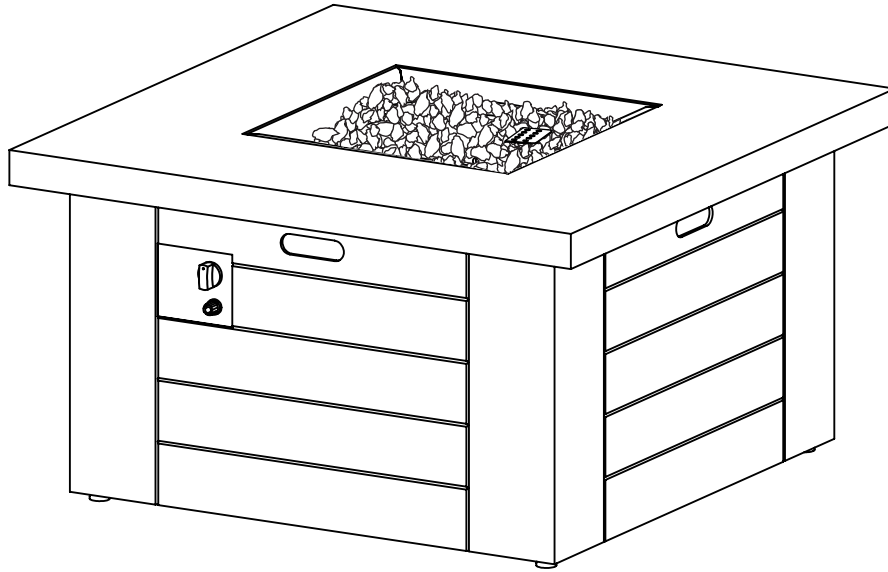
Veuillez vous référer à www.Realflame.com pour nos directives et politiques de retour complets.

Real Flame®
7800 Northwestern Ave.
Racine, WI 53406

Customer Service: 1-800-654-1704 aux États Unis
Service à la clientèle: 1-800-363-6443 au Canada
custserv@realflame.co



realflame[®]
fireplaces








Manual del propietario de la mesa de fuego Forest Ridge C1600LP

Advertencia:

Para uso en exteriores NO use el dispositivo para cocinar NO lo utilice debajo de ningún recinto

 **IMPORTANT
CONSERVE THESE
INSTRUCTIONS**

Advertencia:

-  Si la información contenida en este manual no se observa estrictamente, puede producirse un incendio o una explosión, causando daños materiales, lesiones personales o pérdida de vidas.
-  La instalación y el servicio deben ser realizados por un instalador cualificado, una agencia de servicios o un proveedor de gas.
-  La instalación, ajuste, alteración, servicio o mantenimiento en forma incorrecta pueden causar lesiones o daños a la propiedad.
-  Lea atentamente las instrucciones de instalación, operación y mantenimiento antes de instalar o reparar este equipo.
-  Guarde estas instrucciones para referencia futura. Si está montando esta unidad para otra persona, entréguele este manual para que lo lea y lo guarde como referencia futura.

PELIGRO

- Si siente olor a gas**
- Apague el artefacto.
 - Extinga cualquier llama abierta.
 - Si el olor continúa, manténgase alejado del artefacto y llame inmediatamente a su proveedor de gas o al departamento de bomberos.

ADVERTENCIA

No almacene ni utilice gasolina ni otros vapores o líquidos inflamables en las proximidades de este o de cualquier otro artefacto.

Un cilindro de LP no conectado para el uso no debe ser almacenado cerca de este o de cualquier otro artefacto.



Diseñado y proyectado por
Real Flame. Fabricado como
modelo # C1600LP

ÍNDICE

Información importante de seguridad	3
Peligros y advertencias gas propano (LP)	5
Montaje y reemplazo de mangueras y reguladores	7
Lista de piezas	8
Instrucciones de montaje	9
Encendido	13
Cuidado y limpieza	14
Comprobaciones de conexión de componentes de gas	15
Solución de problemas	17
Garantía	20

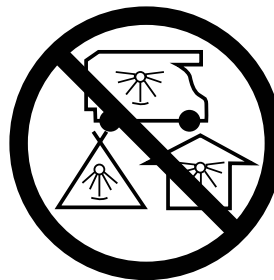
PELIGRO

PELIGRO DE MONÓXIDO DE CARBONO

Este artefacto puede producir monóxido de carbono que no tiene olor.

Usarlo en un espacio cerrado puede poner la vida en peligro.

Nunca utilice este artefacto en un espacio cerrado, como un campamento, tienda, automóvil o el hogar.



ESPECIFICACIONES

Nombre del producto

Mesa de fuego Forest Ridge

Tipo de gas

Propano (LP)

Nº. de modelo

C1600LP

Suministro de gas:

Cilindro de gas LP de 20 lb

Salida de calor nominal

50.000 btu/hr.

INFORMACIÓN IMPORTANTE DE SEGURIDAD



ADVERTENCIA LA MESA DE FUEGO ES PARA USO EXTERIOR SOLAMENTE

- **ADVERTENCIA** El incumplimiento en observar los peligros, advertencias y precauciones en este manual puede producir lesiones corporales graves o la muerte, un incendio o una explosión que causen daños a la propiedad.
- **ADVERTENCIA** La instalación, ajuste, alteración, servicio o mantenimiento en forma incorrecta pueden causar lesiones o daños a la propiedad. Lea atentamente las instrucciones de instalación, operación y mantenimiento antes de instalar o reparar este equipo.
- **Distancia mínima de la unidad a materiales combustibles**
48" (121.9 cm) de todos lados y parte trasera. No ubique la mesa de fuego debajo de ninguna estructura. No la coloque sobre ningún material combustible.

SI SIENTE OLOR A GAS

- Cierre el suministro de gas a la mesa de fuego.
- Extinguir cualquier llama abierta.
- No intente encender ningún artefacto.
- No toque ningún interruptor eléctrico; No use ningún teléfono en su edificio.
- Llame inmediatamente a su proveedor de gas desde el teléfono de un vecino.
- Siga las instrucciones del proveedor de gas.
- Si no puede comunicarse con su proveedor de gas, llame al departamento de bomberos.
- Los niños y adultos deben ser alertados de los peligros de altas temperaturas de la superficie y mantenerse a una distancia segura mientras se usa la mesa de fuego.
- Esta mesa de fuego de exteriores NO debe ser operada por niños. Los niños pequeños deben ser supervisados de cerca cuando se encuentran en la proximidad de esta mesa de fuego de exteriores.
- No cuelgue ni coloque ropa u otros materiales inflamables sobre o cerca de la mesa de fuego.
- Antes de poner en funcionamiento el artefacto, deberá sustituirse cualquier protector o dispositivo de protección que haya sido retirado para el servicio del artefacto.
- La instalación y reparación deben ser realizadas por personal de servicio cualificado. El artefacto debe ser inspeccionado antes de usar y por lo menos una vez al año por una persona cualificada para ese servicio. Se puede requerir una limpieza más frecuente según sea necesario. Es imperativo que el compartimiento de control, los quemadores y conductos de aire circulante del artefacto se mantengan en buenas condiciones de limpieza.
- Guarde estas instrucciones para referencia futura. Si está montando esta unidad para otra persona, entréguele este manual para que lo lea y lo guarde como referencia futura.
- NO use esta mesa de fuego para cocinar.
- NO vierta agua en la mesa de fuego.
- NO use esta mesa de fuego de exteriores si alguna parte ha estado bajo el agua. Llame inmediatamente a un técnico de servicio cualificado para inspeccionar la mesa de fuego y reemplazar cualquier pieza o sistema de control y cualquier control de gas que haya estado bajo el agua.

INFORMACIÓN IMPORTANTE DE SEGURIDAD (continuación)

- Esta mesa de fuego debe usarse SOLAMENTE al aire libre en un lugar bien ventilado y NO se debe usar dentro de un edificio, garaje o cualquier otra área cerrada.
- NO utilice esta mesa de fuego a gas para exteriores con fines de calefacción interior. Los gases TÓXICOS de monóxido de carbono pueden acumularse y causar asfixia.
- NUNCA DEJE esta mesa de fuego a gas sin vigilancia cuando esté en uso.
- No almacene ni utilice gasolina ni otros vapores o líquidos inflamables dentro de una distancia de 25 pies (7.62 m) de este o de cualquier otro artefacto.
- No almacene materiales combustibles en el compartimiento de la base.
- Nunca utilice una llama para verificar si existen fugas de gas.
- El uso de alcohol, medicamentos recetados o no recetados puede perjudicar la capacidad de un individuo para montar u operar adecuadamente con seguridad esta mesa de fuego de exteriores.
- NO usar en una atmósfera explosiva. Mantenga el área de la mesa de fuego a gas limpia y libre de materiales combustibles, gasolina u otros vapores y líquidos inflamables.
- Esta mesa de fuego de exteriores no se debe instalar o usar en o sobre vehículos recreativos y / o embarcaciones.
- Utilice siempre de acuerdo con todos los códigos locales, estatales y nacionales aplicables. Póngase en contacto con su departamento local de bomberos para obtener detalles sobre fuegos al aire libre.
- Utilice las mismas precauciones que usaría con cualquier fuego abierto al usar esta mesa de fuego de exteriores.
- NO queme combustibles sólidos tales como: madera, briquetas de carbón, carbón vegetal, troncos manufacturados, madera balsa, basura, hojas, papel, cartón, madera contrachapada, madera pintada o manchada o tratada a presión en esta mesa de fuego de exteriores.
- NO use esta mesa de fuego de exteriores hasta que esté COMPLETAMENTE ensamblada y todas las piezas estén firmemente sujetas y apretadas.
- NO almacene otro tanque de gas LP a una distancia menor de 10 pies (3,05 m) de esta mesa de fuego de exteriores mientras esté en funcionamiento.
- NO use esta mesa de fuego de exteriores cerca de automóviles, camiones, furgonetas o vehículos recreativos.
- NO use esta mesa de fuego de exteriores debajo de ninguna estructura o cerca de construcciones combustibles desprotegidas. Evite usar cerca o debajo de árboles y arbustos.
- Utilice siempre esta mesa de fuego de exteriores sobre una superficie dura y nivelada no combustible como por ejemplo hormigón, roca o piedra. Una superficie asfaltada puede no ser aceptable para este propósito.
- NO USE ropas sueltas o inflamables al operar esta mesa de fuego de exteriores.
- NO USE en condiciones de viento.
- Mantenga todos los cables eléctricos lejos de esta mesa de fuego de exteriores.
- Algunas áreas de esta mesa de fuego de exteriores se tornan demasiado calientes al tacto durante el uso. No toque las superficies calientes hasta que la unidad se haya enfriado, a menos que esté usando equipamiento de protección como por ejemplo soportes aislantes o guantes resistentes al calor para evitar quemaduras.
- NO intente mover ni guardar esta mesa de fuego de exteriores hasta que todas las partes estén frías.
- NO se incline sobre esta mesa de fuego de exteriores al encenderla o cuando esté en uso.
- Utilice únicamente el conjunto de regulador y manguera proporcionado. El regulador y montaje de manguera de reemplazo deberán ser los especificados por el fabricante.
- NO intente desconectar el regulador de gas del tanque o cualquier conexión de gas mientras la mesa de fuego de exteriores está en uso.
- Siempre cierre el suministro de gas en la válvula del tanque y desconecte el regulador del tanque cuando la mesa de fuego no esté en uso.
- NO se sienta en la mesa de fuego cuando la unidad esté en funcionamiento.
- NO arroje nada al fuego cuando la unidad esté en funcionamiento.
- Las rocas de lava y rellenos de vidrio se tornan muy calientes; por favor mantenga a los niños o las mascotas a una distancia segura.
- Es esencial mantener limpios el compartimiento de la válvula, los quemadores y los conductos de aire circulante de la mesa de fuego de exteriores. Inspeccione la mesa de fuego de exteriores antes de cada uso.

INFORMACIÓN IMPORTANTE DE SEGURIDAD (continuación)

- Antes de cada operación de la mesa de fuego, compruebe que no haya evidencias de abrasión o desgaste excesivo en la manguera. Utilice un espejo de mano para ver las secciones de manguera ubicadas debajo de la unidad. Si la manguera está dañada, agrietada o cortada, debe ser reemplazada antes de usar la mesa de fuego. El conjunto de la manguera sólo puede ser reemplazado por un conjunto de manguera especificado por el fabricante. Llame a Real Flame al 1-800-654-1704.
- Antes de cada uso, examine el quemador y sus componentes. En caso de estar sucios, límpielos con un cepillo suave y una solución de agua jabonosa. Examine también el área alrededor del quemador. Cualquier suciedad o material extraño, como por ejemplo telas de araña o nidos debe ser removido. Si es evidente que el quemador está dañado, no debe utilizarse la mesa de fuego. El conjunto del quemador debe ser reemplazado. Comuníquese con Real Flame al 1-800-654-1704 para obtener soporte técnico.
- Para las mesas de fuego de tanque externo, coloque la manguera fuera del camino donde la gente pueda tropezar con ella. No coloque la manguera en áreas donde pueda sufrir daños accidentales.

ADVERTENCIA

Esta mesa de fuego de exteriores debe ser utilizada sólo con gas licuado (LP). La conversión a gas natural (GN) debe hacerse con el kit de conversión de Real Flame aprobado y debe ser realizada por un profesional de gas. No hacerlo puede resultar en daños a la propiedad, lesiones o muerte.

ATENCIÓN: Cualquier alteración de la mesa de fuego de exteriores que no esté específicamente instruida en el manual de operaciones anulará la garantía del fabricante.

PELIGROS Y ADVERTENCIAS DEL GAS PROPANO (LP)

GAS LP

El gas LP es inflamable y peligroso si se maneja incorrectamente. Conozca sus características antes de usar cualquier producto de gas LP.

Características del gas propano

- Inflamable, explosivo bajo presión, más pesado que el aire, se asienta en piscinas y en áreas bajas.
- En su estado natural, el propano no tiene olor. Para su seguridad, se agrega una sustancia odorífera.
- El contacto con el propano podría quemar su piel.
- El gas propano es inflamable y peligroso si se maneja incorrectamente.

ADVERTENCIAS DE GAS LP

- Los cilindros deben almacenarse al aire libre en un área bien ventilada fuera del alcance de los niños.
- Los cilindros desconectados deben tener tapas protectoras instaladas y no deben almacenarse en un edificio, garaje o cualquier otra área cerrada.
- Nunca use un cilindro de propano con un cuerpo, válvula, collar o pie dañados.
- Los cilindros de propano dañados u oxidados pueden ser peligrosos y deben ser verificados por su proveedor de gas propano.
- Asegúrese de usar solamente un cilindro de gas LP de 20 lb (9,1 kg) con una válvula de Tipo 1 con este artefacto, según lo requerido por el Instituto Nacional de Estándares Americanos (ANSI) y el Comité Directivo Canadiense de Estándares.
- Sólo pueden utilizarse tanques marcados con la etiqueta: "propano".
- El tanque de suministro de gas LP debe estar construido y marcado de acuerdo con las especificaciones para tanques de gas LP del Departamento de Transporte de los Estados Unidos (DOT) o el Comité de Estándares de Canadá, CAN / CSA-B339, tanques, esferas y tubos de gas LP para el Transporte de Productos Peligrosos.
- El depósito de gas LP debe estar dispuesto para la extracción de vapor.

PELIGROS Y ADVERTENCIAS DEL GAS PROPANO (LP) (continuación)

- El tanque de gas LP debe tener un dispositivo de prevención de sobrellenado (OPD) y una conexión de tanque de gas LP QCCI o Tipo I (CGA810).
- El depósito de gas LP debe tener un collar de tanque para proteger la válvula del mismo.
- El cilindro de gas LP debe contener una válvula de cierre como se especifica en la normativa ANSI / CGA-V-1-1977, CSA B96, Conexión de entrada y salida de válvula de cilindro de gas comprimido.
- El tanque de gas LP no debe caerse o manejarse bruscamente.
- Los tanques deben ser almacenados en el exterior fuera del alcance de los niños. NO almacenar en un edificio, garaje o cualquier otra área cerrada.
- Nunca guarde su tanque de gas LP donde las temperaturas pueden alcanzar los 125 °F.
- No guarde el cilindro de gas LP expuesto a la luz solar directa o cerca de una fuente de calor o combustión.
- Nunca guarde un tanque de gas LP lleno en un vehículo expuesto al calor o en el baúl del mismo. El calor hará que la presión del gas aumente, lo que puede abrir la válvula de alivio y permitir que el gas escape.
- Coloque la tapa anti polvo en la salida de la válvula siempre que el tanque de gas LP no esté en uso. Instale solamente el tipo de tapa anti polvo en la salida de la válvula del tanque de gas LP, que se suministra con la válvula del tanque de gas LP. Otros tipos de tapas o tapones pueden provocar fugas de propano.
 - a. No guarde un cilindro de gas LP de repuesto debajo o cerca de este artefacto.
 - b. Nunca llene el cilindro de gas LP más allá del 80%.
 - c. Si no se observa exactamente la información de los puntos (a) y (b) arriba, puede producirse un incendio que cause la muerte o lesiones graves.
- Los cilindros de gas LP deben ser llenados solamente por un representante autorizado de gas LP certificado.
- El regulador de presión está ajustado para 11 pulgadas de columna de agua (presión).
- La presión normal de entrada de gas de esta mesa de fuego de exteriores es de 11 pulgadas de presión de columna de agua.
- Nunca intente conectar este artefacto al sistema de gas LP autónomo de un remolque de campamento, casa o casa ambulante.
- Utilice siempre el regulador de presión y el conjunto de manguera suministrado con el artefacto para conectarlo a un cilindro de gas LP. Nunca conecte a un suministro de gas LP no regulado. Comuníquese con Real Flame al 1-800-654-1704 para obtener soporte técnico.
- Gire a mano la válvula de control de gas manual. Nunca utilice herramientas. Si la válvula no gira a mano, no intente repararla. Llame a un técnico de gas certificado. El uso de la fuerza o cualquier intento de reparación puede producir un incendio o explosión.
- Niños y adultos deben ser alertados en relación a los peligros de altas temperaturas superficiales y deben permanecer alejados para evitar quemaduras o que la ropa se encienda.
- Los niños pequeños deben ser vigilados cuidadosamente cuando están en la zona del artefacto.
- Ropa u otros materiales inflamables no deben colgarse del artefacto ni colocados en o cerca del mismo.
- Antes de poner en funcionamiento el artefacto, deberá sustituirse cualquier protector o dispositivo de protección que haya sido retirado del artefacto para su servicio.
- La instalación y reparación deben ser realizadas por personal de servicio cualificado. El artefacto debe ser inspeccionado antes de usar y por lo menos una vez al año por una persona cualificada para ese servicio. Se puede requerir una limpieza más frecuente según sea necesario. Es imperativo que el compartimiento de control, los quemadores y conductos de aire circulante del artefacto se mantengan en buenas condiciones de limpieza.

Conexión del cilindro de gas

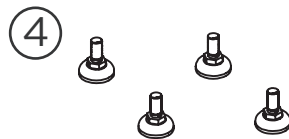
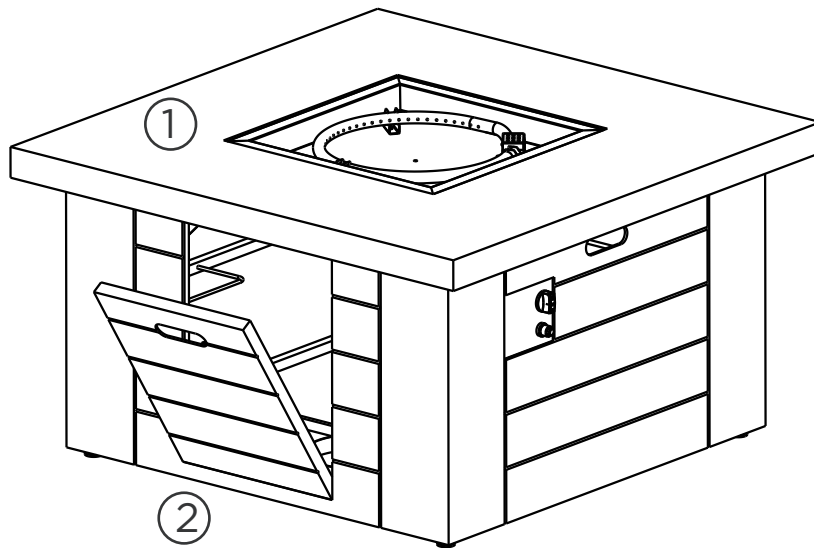
Antes de la conexión, asegúrese de que no haya residuos atrapados en la cabeza del cilindro de gas, la cabeza de la válvula reguladora o en la cabeza de los puertos del quemador y del quemador. Conecte la válvula reguladora y apriétela a mano. Desconecte el cilindro de propano de la válvula reguladora cuando la mesa de fuego no esté en uso. NO obstruya el flujo de aire de combustión y aire de ventilación del quemador.

MONTAJE Y REEMPLAZO DE MANGUERA Y REGULADOR

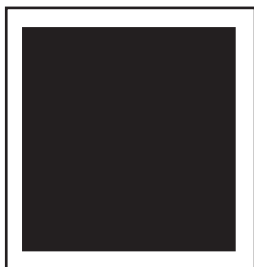
1. Esta mesa de fuego se presenta equipada con una manguera de gas LP estándar y un regulador que incluye la conexión lateral del artefacto a un dispositivo de conexión de cilindro CGA No 791. Debe utilizarse la manguera de gas LP y el regulador suministrados con esta mesa de fuego. Sólo se puede utilizar para la sustitución, una manguera y un regulador especificados por el fabricante.
 - a. La conexión CGA No 791 incorpora un dispositivo limitador de flujo magnético, que actúa limitando el flujo de gas si se detecta una fuga entre el regulador y la válvula del quemador.
 - b. Si la válvula del quemador está abierta antes de abrir la válvula de servicio del cilindro de gas LP, la conexión interpretará este flujo libre de gas como una fuga.
 - c. La característica de seguridad de la conexión reducirá el flujo de gas del regulador al artefacto a un nivel mínimo.
 - d. Asegúrese de que la válvula de control del quemador esté cerrada antes de abrir la válvula de servicio del cilindro de gas LP para garantizar que el dispositivo limitador de flujo de conexión no se active por error.
 - e. Si el dispositivo limitador de flujo de conexión se activa por error, cierre la válvula de servicio del cilindro de gas LP y la válvula del quemador, espere 10 segundos para permitir que el dispositivo se restablezca, abra la válvula de servicio del cilindro y abra la válvula del quemador y encienda la mesa de fuego según las instrucciones de encendido.
2. Asegúrese de proteger la manguera de cualquier superficie caliente. Si la manguera entra en contacto con cualquier superficie caliente, puede producir un serio peligro.
3. Mantenimiento regular de la manguera y del regulador:
 - a. Inspeccione la manguera antes de cada uso del artefacto. Utilice un espejo de mano para ver las secciones de manguera ubicadas debajo de la unidad. Si la manguera muestra signos de grietas, abrasión, cortes o daños de cualquier tipo, no encienda la mesa de fuego. Repare o cambie la manguera como se requiera antes de usar la mesa de fuego. Para obtener asistencia con la reparación o reemplazo de la manguera, llame a Real Flame al 1-800-654-1704. Utilice sólo piezas de repuesto del fabricante.
 - b. Inspeccione el sello dentro de la válvula de servicio CGA No 791 en el cilindro de gas LP cuando reemplace el cilindro o al menos una vez al año. Si existe alguna indicación de daño, haga que el sello sea reemplazado por un representante autorizado certificado antes de usar la mesa de fuego.
4. No utilice herramientas para apretar la tuerca de conexión CGA No 791 en la válvula de servicio del cilindro de gas LP. Apriete solamente a mano.
5. Tenga cuidado de no cruzar las roscas de conexión al apretar la conexión CGA No 791 en la válvula de servicio del cilindro de gas LP.
6. Una "Prueba de fugas" siempre debe realizarse después de anexar la conexión a la válvula de servicio del cilindro de gas LP. (Consulte la sección "Comprobación de fugas" de este manual en la página 12)
7. Para conectar la manguera y el regulador al tanque de LP, refiérase a la sección "Conexión" de la sección del cilindro de gas LP más arriba.

LISTA DE PIEZAS

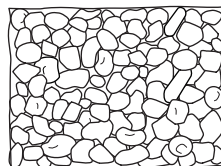
①	Mesa de fuego	N/D	1
②	Puerta	16003702	1
③	Manguera y regulador LP	96000002	1
④	Pies (Juego de 4)	05600006	1
⑤	Pila AAA	N/D	1
⑥	Roca de lava	05603408	1 caja
⑦	Cobertura de protección,	16000107	1
⑧	Kit de conversión de GN	00023103	1



⑦



⑥



⑧

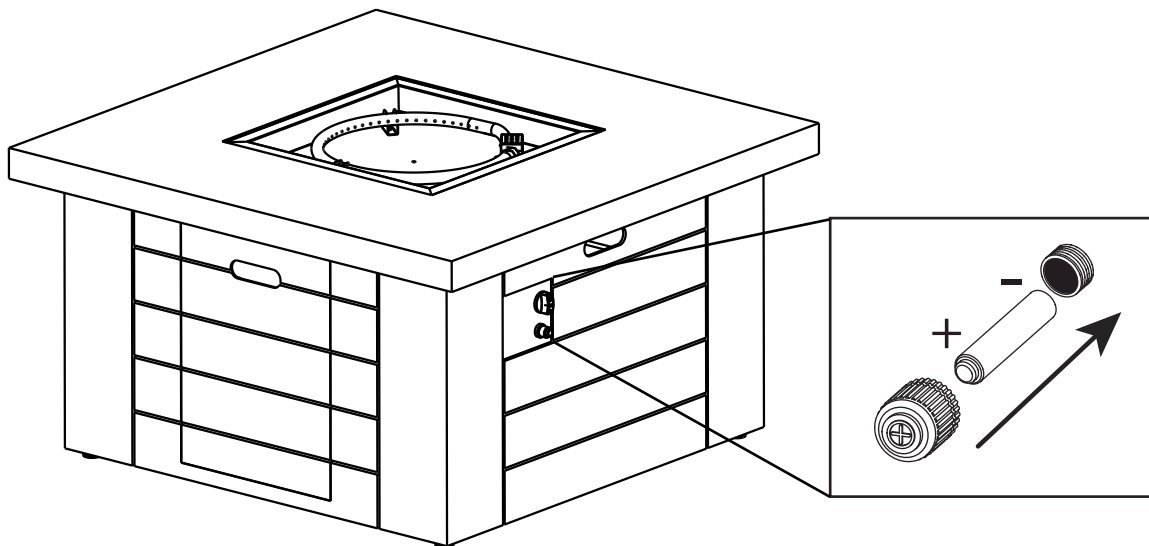


⑤

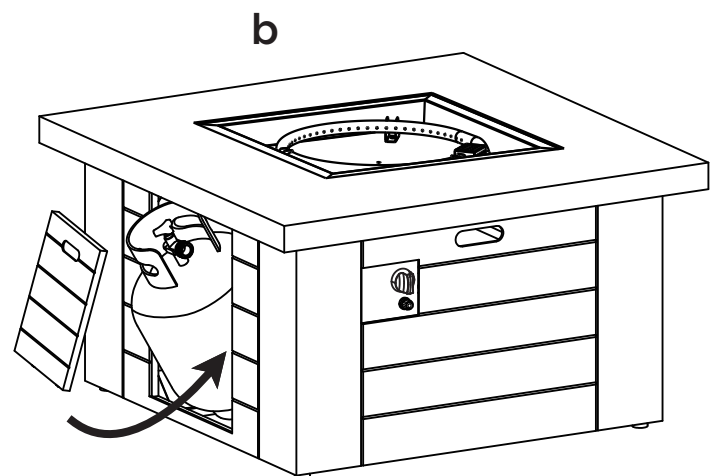
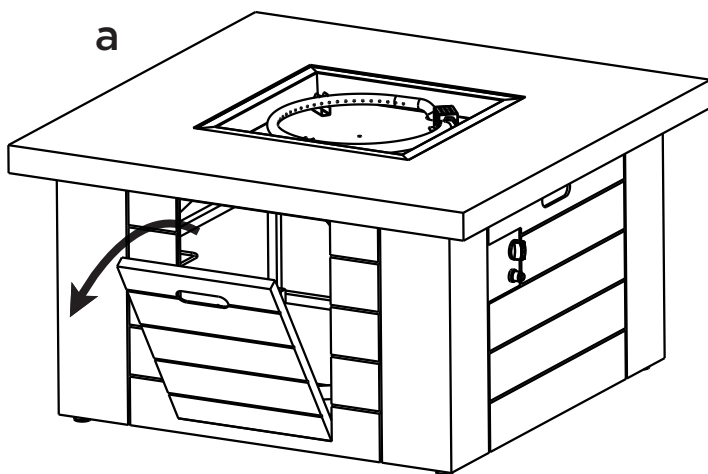


INSTRUCCIONES DE MONTAJE

1.) Instale la pila AAA como se muestra en el siguiente diagrama.

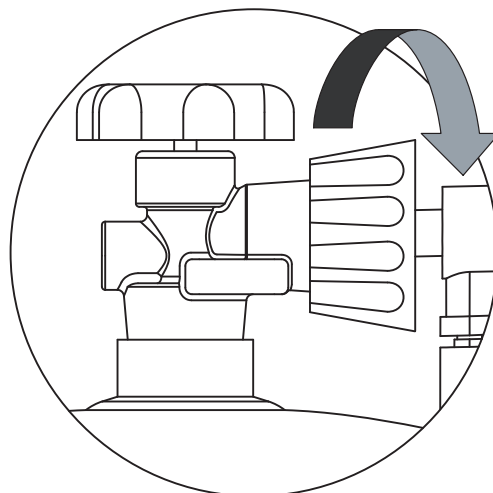


2.) Abra la puerta para colocar el tanque de propano LP (a).
Coloque el tanque de propano LP en el soporte metálico de tanque dentro del cuerpo de la mesa de fuego (b).



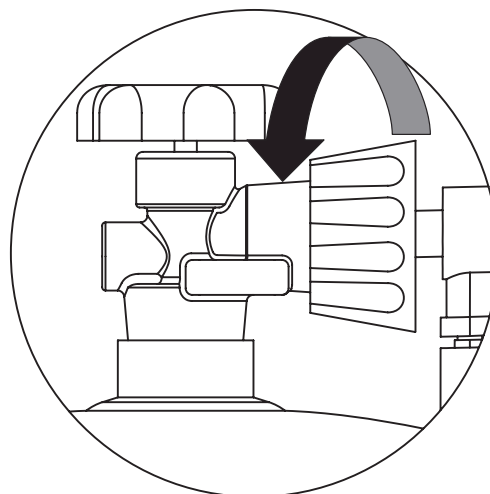
3.) Conecte el tanque de gas LP

Compruebe que no haya residuos en el cabezal del tanque de gas LP o en el cabezal de la válvula reguladora. Asegúrese de revisar también los puertos del quemador y el quemador. Conecte la línea de gas al tanque girando el comando en el sentido de las agujas del reloj. Apriete solamente a mano.

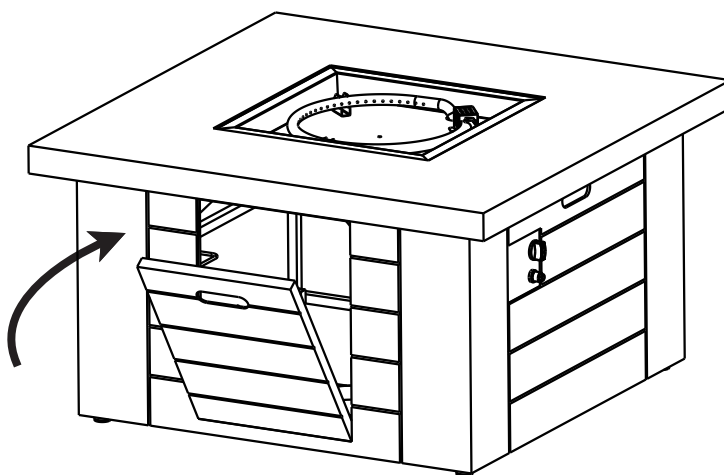


Desconectar el tanque de gas LP

Asegúrese de que la válvula del tanque de gas LP esté en la posición OFF. Desconecte girando el comando en sentido contrario a las agujas del reloj hasta que se desprenda de la válvula.

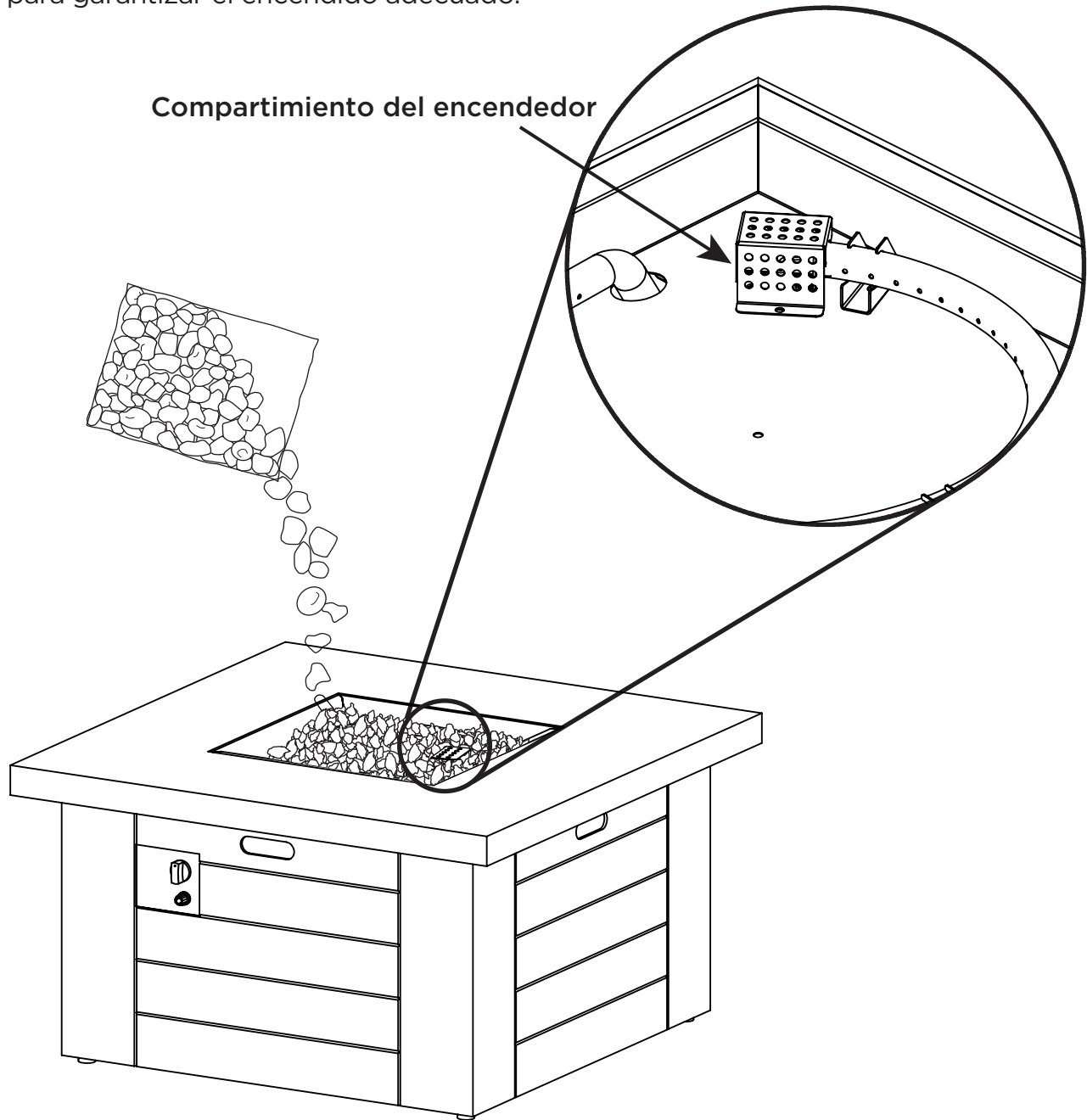


Una vez que el tanque de propano LP esté conectado correctamente a la manguera del regulador LP, coloque la puerta en su lugar.



INSTRUCCIONES DE MONTAJE

- 4.) Coloque la roca de lava a mano. NO elimine la bolsa en la bandeja para evitar que se obstruya el quemador con polvo. Coloque la roca de lava a lo largo de la zona de encendido a un nivel que cubra el quemador. Asegúrese de que no bloquee la carcasa del encendedor con roca de lava para garantizar el encendido adecuado.



Advertencia de roca de lava y relleno de vidrio:

1. No llene excesivamente el área del quemador con rocas o de relleno de vidrio. La profundidad del relleno no debe estar más de una pulgada por encima del tubo del quemador. Sólo productos de relleno de Real Flame están certificados y probados por CSA para el uso seguro con esta mesa de fuego de Real Flame; no utilice otros materiales de relleno.
2. No encienda ni utilice esta mesa de fuego si el relleno está húmedo. Asegúrese de que el relleno esté completamente seco antes de encender. El calor intenso puede hacer que el relleno húmedo explote y golpee a alguien causando lesiones.
3. Manténgase alejado de la mesa de fuego durante al menos 20 minutos durante el encendido inicial ya que el relleno podría retener algo de humedad proveniente de la fabricación y / o el envío.

INSTRUCCIONES ANTES DEL USO

⚠ ADVERTENCIA Antes de usar esta mesa de fuego de exteriores, asegúrese de haber leído, comprendido y seguido toda la información proporcionada en la sección 'Información de seguridad importante' de este manual. El incumplimiento de dichas instrucciones puede ocasionar lesiones graves, daños a la propiedad o la muerte.

Antes de cada encendido de la mesa de fuego, compruebe que no haya evidencias de abrasión o desgaste excesivo en la manguera.

VERIFICAR FUGAS

Haga una solución de control de fugas mezclando 1 parte de detergente/jabón lavavajillas con 3 partes de agua en una envase pulverizador.

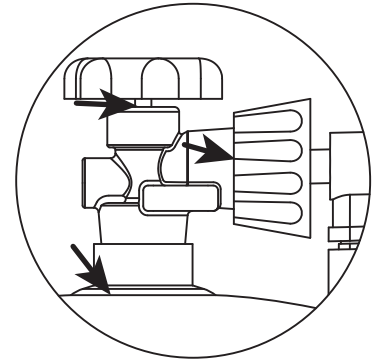
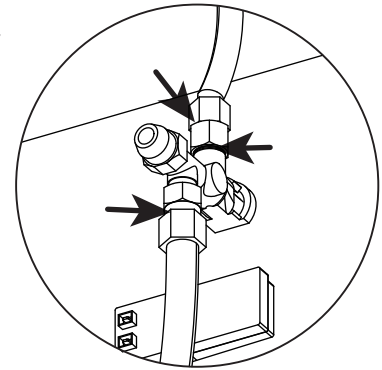
Asegúrese de que el comando de control esté en la posición "OFF". A continuación, coloque el tanque de gas LP en la posición ON en la válvula.

Rocíe la solución de fugas en las conexiones de la válvula, prestando especial atención a las áreas indicadas por las flechas.

Si aparecen burbujas, lleve el tanque de gas LP a la posición OFF vuelva a conectar y vuelva a probar. Si continúa viendo burbujas después de varios intentos, cierre el suministro de gas LP y llame a Real Flame al 1-800-654-1704 para obtener asistencia.

Si no aparecen burbujas después de un minuto, lleve el tanque de gas LP a la posición OFF, limpie la solución y proceda.

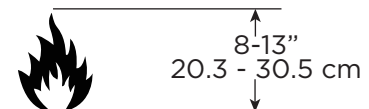
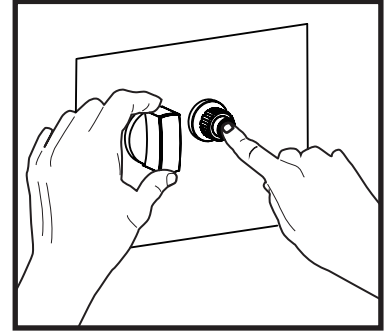
Compruebe si hay fugas en estos lugares



INSTRUCCIONES DE ENCENDIDO

Uso del encendedor

1. Lea y comprenda todas las instrucciones de funcionamiento antes de encender.
2. La perilla de control del quemador debe estar en la posición OFF.
3. Conecte el cilindro de propano (LP) (consulte las páginas anteriores).
4. Abra lentamente la válvula del cilindro de gas LP.
5. Presione y mantenga presionado el botón del encendedor
6. Mientras sostiene el botón del encendedor con una mano, use la otra mano para empujar y girar la perilla de control a la posición LIGHT (ENCENDIDO) para encender el quemador.
7. Mantenga presionada la perilla de control del quemador durante 15-30 segundos después de encender.
8. Si la ignición no ocurre en 30 segundos, gire la perilla de control a la posición OFF y cierre el suministro de gas, espere 5 minutos hasta que se haya despejado el gas y repita el procedimiento de encendido.
9. Después de encender, gire la perilla de control del quemador en sentido anti horario hasta el ajuste LOW (BAJO). Observe la llama, asegúrese de que todos los puertos del quemador estén encendidos. La altura de la llama no debe ser mayor de 13 pulgadas de alto.
10. Ajuste la llama a la intensidad deseada mediante la perilla de control.



Usando un fósforo largo o encendedor

1. Antes de encender, use una pala para mover el relleno para acceder al quemador
2. Usando guantes resistentes al calor, coloque el fósforo largo encendido o encendedor de gas butano encendido próximo al lateral del quemador. ¡NO SE INCLINE sobre mesa de fuego mientras la enciende!
3. Gire la perilla de control en sentido antihorario a la posición LIGHT (ENCENDIDO).
4. Retire el fósforo largo / encendedor de gas butano.
5. Después de encender, utilice una pala y guantes resistentes al calor para mover cuidadosamente el relleno nuevamente a la posición adecuada.
6. Después de encender, gire la perilla de control del quemador en sentido anti horario hasta el ajuste LOW (BAJO). Observe la llama, asegúrese de que todos los puertos del quemador estén encendidos. La altura de la llama no debe ser mayor de 13 pulgadas de alto.
7. Ajuste la llama a la intensidad deseada mediante la perilla de control.



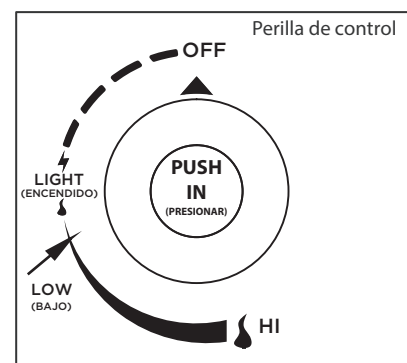
⚠️ ADVERTENCIA

Cuando use este método para encender la mesa de fuego, utilice guantes resistentes al calor y siga las instrucciones paso a paso. No hacerlo, podría ser la causa de lesiones graves.

⚠️ ADVERTENCIA

Si la llama del quemador se apaga durante el funcionamiento, gire inmediatamente la perilla de control a la posición OFF y deje que el gas se despeje por lo menos durante 5 minutos antes de intentar volver a encender la mesa de fuego.

Consulte las páginas de solución de problemas para obtener asistencia adicional, comenzando en la página 17.



CUIDADO Y LIMPIEZA

Inspeccionar

Esta mesa de fuego de exteriores debe ser inspeccionada regularmente para asegurar que el producto es seguro y para extender la vida del mismo.

⚠ ADVERTENCIA NO inspeccione esta mesa de fuego de exteriores hasta que el fuego esté **TOTALMENTE** apagado.

1. Asegúrese de que todas las piezas estén firmemente sujetas en su lugar. Si una pieza se mueve al tocarla, compruebe sus puntos de conexión para ver si están flojos.
2. Revise todas las conexiones de gas para comprobar la existencia de fugas.
3. Revise el sistema de encendido para asegurarse de que las chispas sean correctas.
4. Verifique los componentes para comprobar la existencia de cualquier signo de daño, herrumbre o desgaste excesivo.
5. Si se detecta algún daño en algún componente, **NO** lo utilice hasta que se hayan realizado las reparaciones adecuadas.

⚠ ADVERTENCIA NO manipule este artefacto. Es **PELIGROSO** y anulará la garantía. Cualquier pieza que se encuentre defectuosa debe ser reemplazada por una pieza aprobada y confirmada por el fabricante. Para obtener asistencia técnica, póngase en contacto con Real Flame llamando al: 1-800-654-1704.

Cuidado general y limpieza

1. Esta mesa de fuego de exteriores debe ser limpiada regularmente para garantizar el uso seguro del producto y para extender la vida del mismo. **AVISO:** Después del uso repetido, puede producirse una ligera decoloración del acabado.

⚠ WARNING NO intente limpiar esta mesa de fuego de exteriores a menos que el fuego esté completamente apagado y la unidad esté fría al tacto.
NO utilice limpiadores de horno o abrasivos ya que dañarán el producto.
NO USE SOLVENTES en espacios cerrados o mientras esté fumando.

Mesa

1. Limpie las superficies exteriores con un jabón suave para lavar platos, luego enjuague con agua.

Almacenamiento:

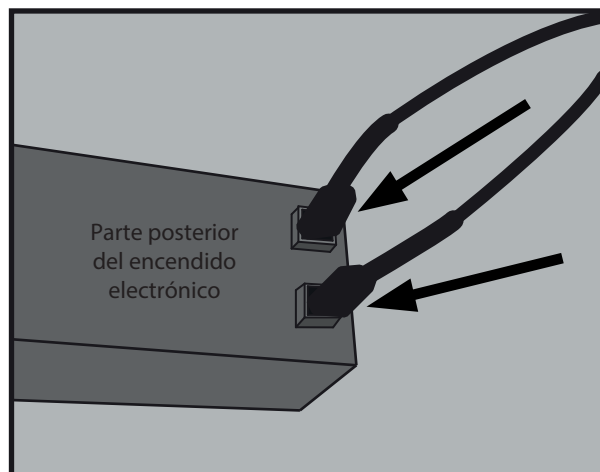
⚠ ADVERTENCIA NO intente mover o guardar esta mesa de fuego de exteriores a menos que el fuego esté **COMPLETAMENTE** apagado y la unidad esté fría al tacto.

1. Cierre el suministro de gas (OFF) en la conexión del tanque. Retire el tanque y guárdelo en un lugar fresco y seco al aire libre, lejos de los niños.
2. Retire con cuidado el relleno y almacene los componentes en forma plana para protegerlos de roturas.
3. **SIEMPRE** cubra la mesa de fuego de exteriores cuando no esté en uso. La cubierta protegerá los componentes mecánicos de la suciedad y escombros, evite que el agua se acumule en la superficie de la mesa del fuego, eso evitará la decoloración del acabado
4. Almacene en un lugar fresco y seco, lejos de los niños y las mascotas.

VERIFICACIONES DE CONEXIÓN DE COMPONENTES DE GAS

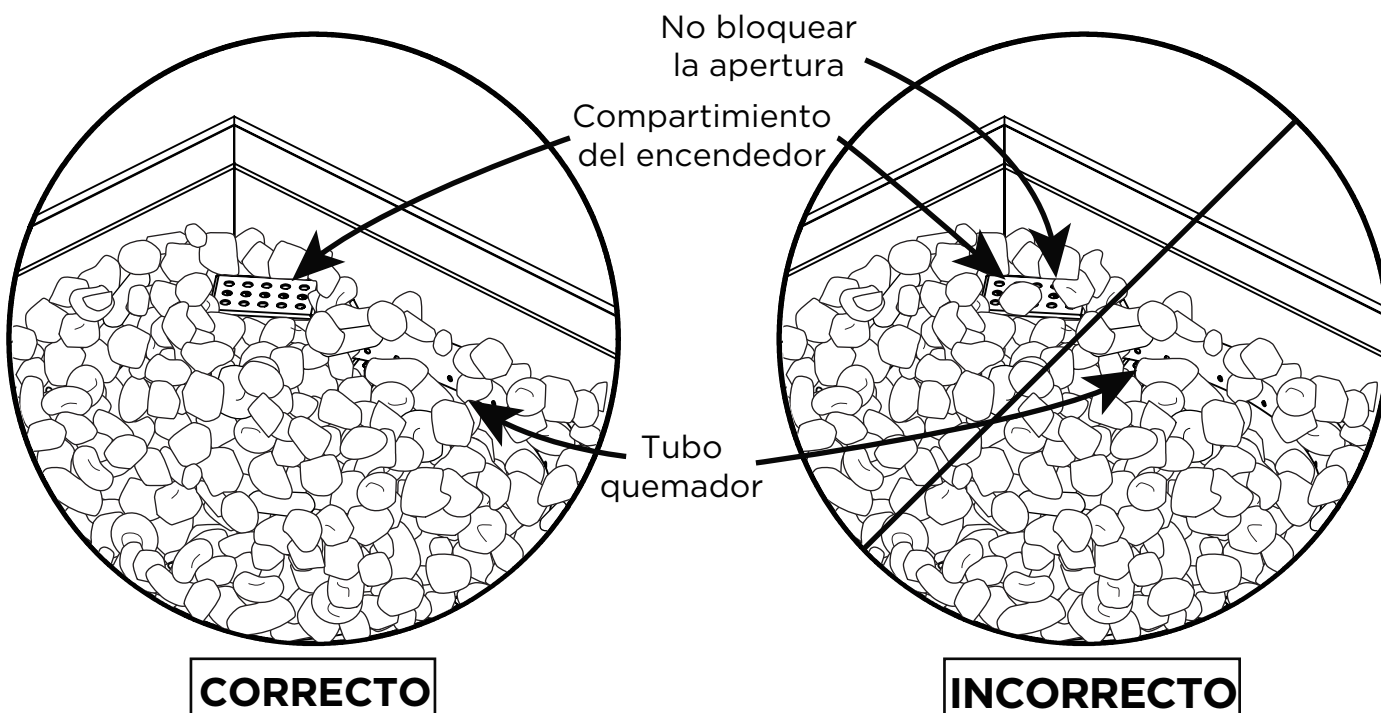
Si el quemador no se enciende o permanece encendido, realice las siguientes comprobaciones.

1. Asegúrese de que el cable del electrodo esté completamente y correctamente conectado.

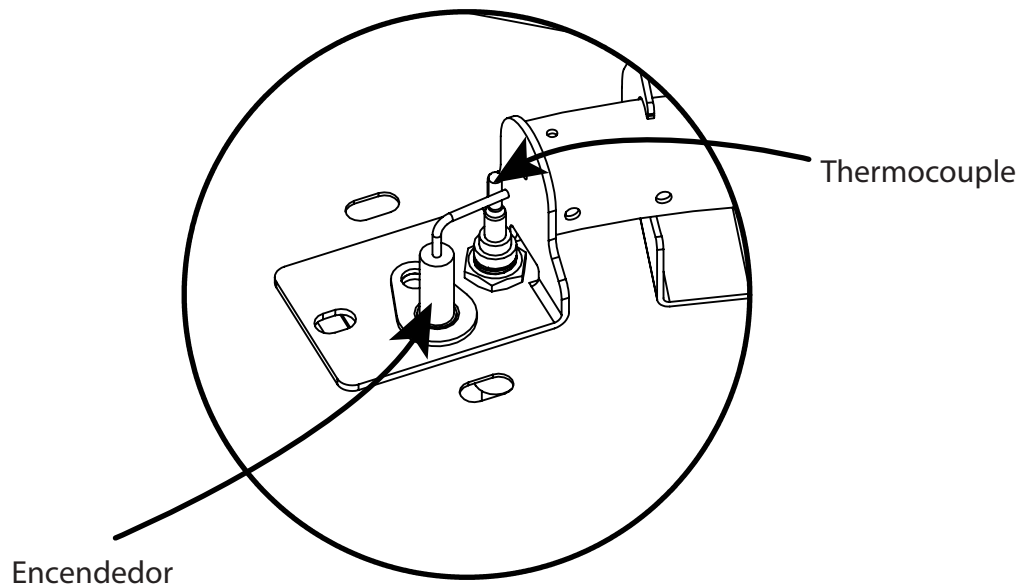


2. Asegúrese de que el compartimento del encendedor no esté obstruido.

Limpie cualquier residuo existente en la parte superior del compartimento del encendedor y asegúrese de que no haya residuos entre el pasador del encendedor, el termo acople y el tubo del quemador.

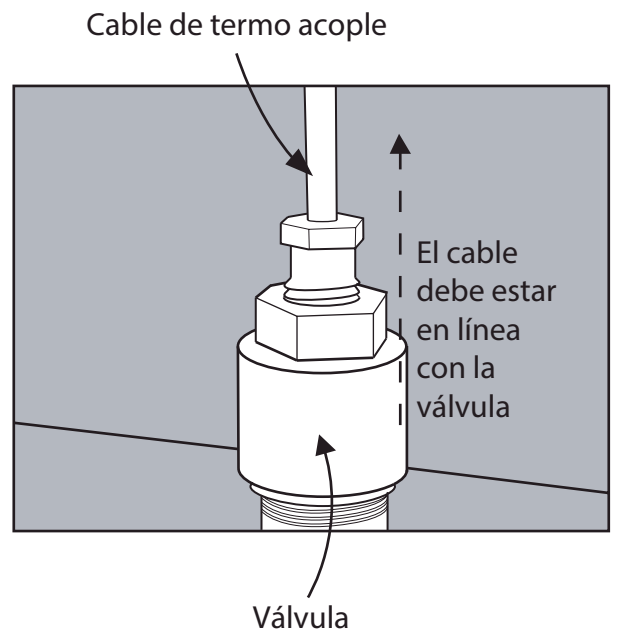
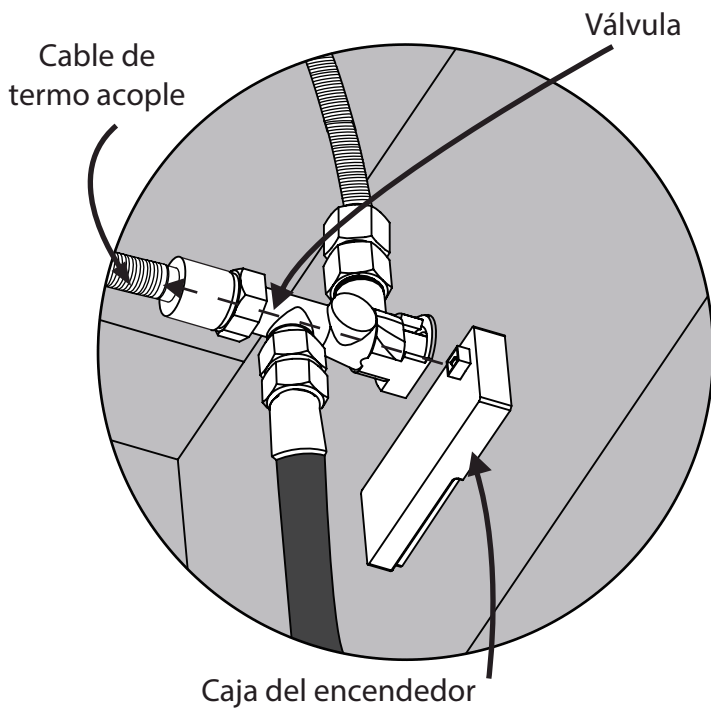


VERIFICACIONES DE CONEXIÓN DE COMPONENTES DE GAS



3. Asegúrese de que el pasador del encendedor y el termo acople estén colocados correctamente.

- El pasador del encendedor debe estar apuntando al termo acople.
- El termo acople debe colocarse a 5 mm del tubo de combustión.



4. Asegúrese de que el cable del termo acople esté correctamente colocado. El cable del termo acople debe estar en línea con la válvula

SOLUCIÓN DE PROBLEMAS

Problema: El quemador no se enciende utilizando el encendedor

Causa posible 1: El electrodo y los quemadores están húmedos.

- Secar con un paño.

Causa posible 2: La pila del encendedor está muerta o al revés.

- Compruebe que la pila AAA está insertada correctamente en el encendedor (consulte la página 9) o reemplace la pila.

Causa posible 3: El pasador del encendedor está agrietado o roto - chispas en la grieta.

- Comuníquese con Real Flame al 1-800-654-1704 para obtener soporte técnico.

Causa posible 4: Cable suelto o desconectado.

- Refiérase a la página 16, paso 1, vuelva a conectar el cable. Llame a Real Flame al 1-800-654-1704.

Causa posible 5: El cable está en cortocircuito (chispas) entre el encendedor y el electrodo.

- Comuníquese con Real Flame al 1-800-654-1704 para obtener soporte técnico.

Causa posible 6: El pasador del encendedor no apunta al termo acople.

- Refiérase a la página 16, gire el electrodo para apuntar al termo acople.

Causa posible 7: Encendedor en malas condiciones.

- Comuníquese con Real Flame al 1-800-654-1704 para obtener soporte técnico.

Problema: El quemador no se enciende utilizando un fósforo

Causa posible 1: No hay flujo de gas.

- Compruebe si el tanque de gas LP está vacío. Si está vacío, reemplácelo. Si el tanque de propano no está vacío, consulte el "Problema: Caída repentina del flujo de gas" en la página siguiente.

Causa posible 2: La tuerca de acople y el regulador no están completamente conectados.

- Gire la tuerca de acople aproximadamente una mitad a tres cuartos de vuelta, hasta que sienta una parada firme. No utilice herramientas, apriete con la mano solamente.

Causa posible 3: Obstrucción del flujo de gas.

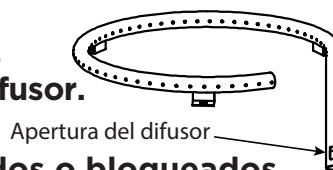
- Compruebe si hay manguera doblada o estrangulada.

Causa posible 4: Redes de araña o nido de insectos en el difusor.

- Limpie el difusor con aire comprimido.

Causa posible 5: Los puertos del quemador están obstruidos o bloqueados.

- Refiérase al "Problema: Patrón de llama irregular" en la página siguiente. Limpie los puertos del quemador como se describe.



Problema: La mesa de Fuego emite mucho humo negro cuando está en uso

Causa posible 1: La manguera de la mesa de fuego está pellizcada.

- Asegúrese de que la manguera no esté pellizcada entre la mesa de fuego y el suministro de gas.

Causa posible 2: La llama está siendo obstruida en los puertos del quemador.

- Asegúrese de que los puertos de gas en el quemador estén libres de cualquier relleno de vidrio para que la llama pueda fluir naturalmente.

Para obtener asistencia técnica, póngase en contacto con Real Flame llamando al: 1-800-654-1704

SOLUCIÓN DE PROBLEMAS

Problema: Caída repentina del flujo de gas, o una reducción de la altura de la llama

Causa posible 1: Acabó el gas.

- Reponer o intercambiar el tanque de LP.

Causa posible 2: El dispositivo de seguridad de exceso de flujo puede haber sido activado.

- Su dispositivo está equipado con un cierre de seguridad automático para evitar que el gas fluya si la llama se apaga. Para que la unidad funcione, las llamas deben estar en contacto con el termo acople ubicado en el compartimiento del encendedor. Inspeccione visualmente el termo acople y el compartimiento del encendedor para asegurarse de que no existen obstrucciones, como por ejemplo, relleno de vidrio, y que las llamas estén en contacto con el termo acople.

Problema: Patrón de llama irregular, la llama no corre toda la longitud del quemador

Causa posible: Los puertos del quemador están obstruidos o bloqueados.

- Limpie los puertos del quemador.

Para ello inserte un clip en cada uno de los puertos del quemador para asegurarse de que no están obstruidos.

ADVERTENCIA: Asegúrese de que el quemador no esté encendido y que el suministro de gas haya sido desconectado correctamente. Espere 15 minutos hasta que la unidad se enfríe antes de tocarla.

Problema: Llama soplando

Causa posible 1: Vientos fuertes o con ráfagas.

- No utilice la mesa de fuego.

Causa posible 2: Poco gas LP

- Reemplace o llene el tanque de gas LP.

Causa posible 3: Válvula de exceso de flujo activada.

- Refiérase al "Problema: Caída repentina en el flujo de gas "

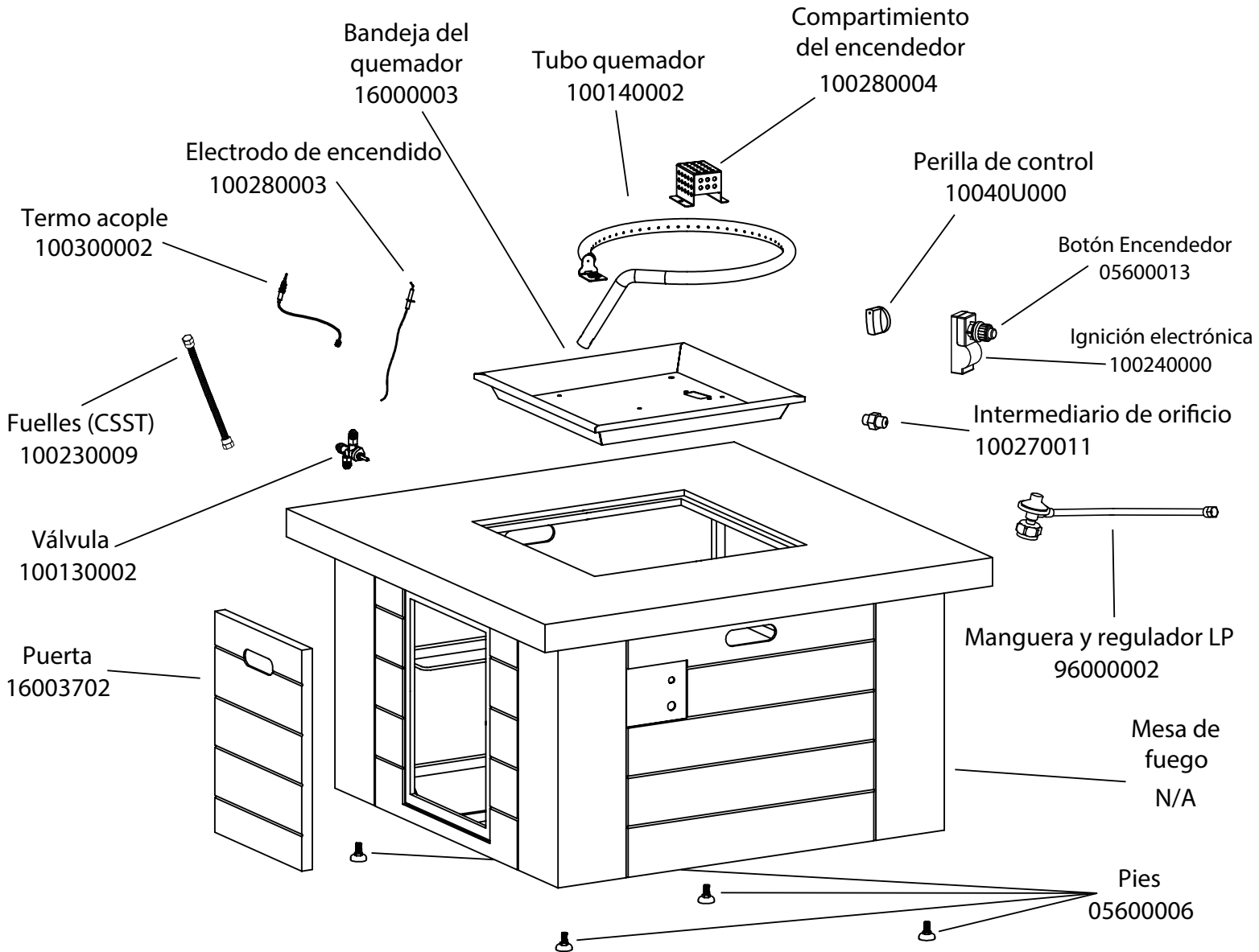
Problema: La llama parece perder calor cuando se quema en tiempo frío - temperatura por debajo de 50 °F

Causa posible 1: Se acumuló hielo en el exterior del tanque de gas LP porque el proceso de vaporización es demasiado bajo.

- Gire la perilla de control y el depósito de gas LP a la posición OFF. Reemplazar con un tanque de gas LP de repuesto y reanude el encendido. Guarde el tanque de gas LP de repuesto en un área bien ventilada, lejos de los niños.

Si estos consejos no pueden resolver el problema,
llame a Real Flame en: 1-800-654-1704

LISTA TÉCNICA DE PIEZAS



Kit de conversión de gas natural
00023103

Políticas de garantía y devolución

Garantía

Real Flame® Company garantiza que las mesas de fuego a gas y accesorios de Real Flame están libres de defectos en sus partes de acuerdo a un uso y servicio normal por un período de 1 año a partir de la fecha de compra y libre de defectos de terminación por un período de 1 año a partir de la fecha de compra. En caso de producirse dichos defectos, Real Flame sustituirá, a su discreción, el producto defectuoso o reembolsará el precio de compra. Lo anterior es el remedio exclusivo y Real Flame niega todas las demás garantías, incluyendo cualquier garantía implícita de comerciabilidad o la aptitud para un propósito particular. Además, Real Flame no será responsable de los daños consecuentes que excedan el precio de compra del producto en el que se basa dicha responsabilidad.

Política de devolución

Se puede devolver la compra dentro de los 90 días de su recepción. No se extenderán reembolsos por devoluciones incompletas o no autorizadas. Todos los productos devueltos deben estar 100% completos, debidamente empaquetados en el embalaje original y en condiciones de reventa. Los productos que hayan sido montados o modificados no serán elegibles para la devolución. Todos los ítems se deben volver en su totalidad, significando que los mismos se deben encontrar todos incluidos ser devueltos juntos. No se permitirán devoluciones o intercambios en artículos discontinuados. Comience por favor el proceso de devolución entrando en contacto con la tienda o la compañía donde usted compró su artículo de Real Flame.

Piezas de repuesto

En el caso de que un ítem haya sido perdido o dañado, ya sea por el fabricante o en el envío, se puede solicitar un reemplazo. Las piezas de repuesto no están disponibles para todas las unidades y sólo se ofrecen a discreción de Real Flame. Evaluaremos cualquier daño y encontraremos una solución, que podría incluir el envío de un reemplazo. No hay reemplazos disponibles para ítems discontinuados o productos reembalados (caja abierta). Llame al Servicio de Atención al Cliente de Real Flame al 800-654-1704 para obtener las piezas de repuesto antes de devolver el artículo dañado. Tenga a mano la siguiente información (que puede encontrar en el manual de instrucciones) antes de llamar al Servicio de atención al cliente.

- Número de modelo del artículo
- Número de pieza de 4-8 dígitos
- Número de código de lote
- Dirección de envío
- Se puede solicitar una foto del artículo dañado. Las fotografías deben enviarse a custserv@realflame.com

Pedido recibido incorrecto

Si recibió un artículo diferente al que ordenó, comuníquese con el Servicio de atención al cliente de Real Flame llamando al 800-654-1704 dentro de las 48 horas de haber recibido el artículo.

Por favor, consulte www.Realflame.com para obtener nuestras directrices y políticas de devolución completas.

Real Flame®
7800 Northwestern Ave.
Racine, WI 53406

Atención al cliente: 1-800-654-1704 en EE.UU. —
Atención al cliente: 1-800-363-6443 en Canadá
custserv@realflame.com