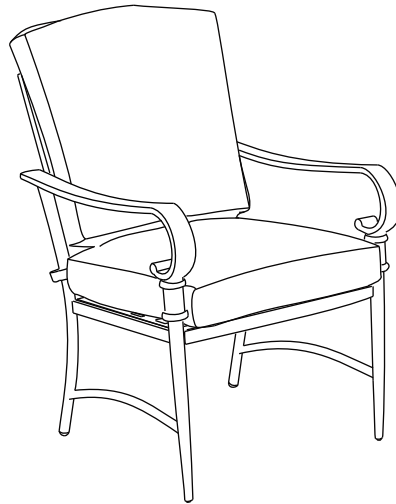




Item # 741 608
Model # 176-411-7D-V2

USE AND CARE GUIDE

Oak Cliff 7-Piece Patio Dining Set with Chili Cushions (6 Dining Chairs)



Questions, problems, missing parts? Before returning to the store,
call Hampton Bay Customer Service
8.00 a.m. - 7.00 p.m. EST, Monday - Friday,
9.00 a.m. - 6.00 p.m. EST, Saturday

1-855-HD-HAMPTON

HAMPTONBAY.COM

THANK YOU

We appreciate the trust and confidence you have placed in Hampton Bay through the purchase of this 7-piece set. We strive to continually create quality products designed to enhance your home. Visit us online to see our full line of products available for your home improvement needs. Thank you for choosing Hampton Bay!

Table of Contents

| | | | |
|---|---|------------------------|---|
| Table of Contents..... | 2 | Pre-Assembly..... | 3 |
| Safety Information..... | 2 | Planning Assembly..... | 3 |
| Warranty..... | 2 | Hardware Included..... | 3 |
| 2 Year Frame and Fabric Limited Warranty..... | 2 | Package Contents..... | 4 |
| What Is Covered .. . | 2 | Assembly | 5 |
| What Is Not Covered .. . | 2 | | |
| Care Instructions..... | 2 | | |

Safety Information



CAUTION: Please keep children out of the assembly area during assembly.



CAUTION: Use the chairs on flat ground only.



IMPORTANT: Please check the tightness of the bolts periodically.

Warranty

2 YEAR FRAME AND FABRIC LIMITED WARRANTY

WHAT IS COVERED

We warrant the frame and fabric to be free of manufacturing defects to the original purchaser for two years.

WHAT IS NOT COVERED

It remains the customer's responsibility for freight and packaging charges to and from our service center. This warranty does not cover commercial use, hardware, acts of nature, fire, freezing and abusive use. In addition, purchased parts are not covered under this warranty. We reserve the right to make substitutions with similar merchandise, if the model in question is no longer in production.

Care Instructions

Before using, wipe with a clean, dry cloth. Do not use bleach or solvents. Treat frame with one step liquid wax for maximum protection against UV light and salty, damp air. When not in use, store furniture in a cool, dry place. If your set includes cushions, they may be cleaned by hand with a mild solution of soap and water. Rinse cushion thoroughly and allow to drip dry. Do not machine wash or tumble dry, as cushions may shrink. Do not use bleach or solvents on fabrics. When cleaning the tabletop make sure to use a soft, clean cloth that doesn't bleed color as well.

You may contact our customer service department with any questions by phone at 1-855-HD-HAMPTON or visit www.hamptonbay.com.

Pre-Assembly

PLANNING ASSEMBLY

It will take two people about 45 minutes to complete the assembly process.

HARDWARE INCLUDED



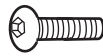
NOTE: Hardware not shown to actual size.



_____ AA



_____ BB



_____ CC



_____ DD

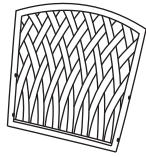


_____ EE

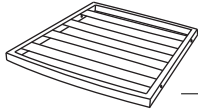
| Part | Description | Quantity |
|------|---------------|----------|
| AA | Bolt cap (M6) | 48 |
| BB | Bolt (M6x30) | 24 |
| CC | Bolt (M6x35) | 24 |
| DD | Washer | 48 |
| EE | Hex wrench | 1 |

Pre-Assembly (continued)

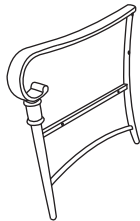
PACKAGE CONTENTS



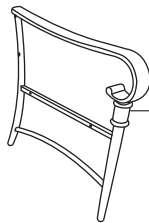
_____ A



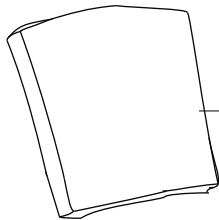
_____ B



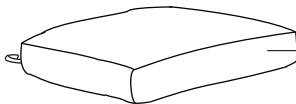
_____ C



_____ D



_____ 1



_____ 2

| Part | Description | Quantity |
|------|---------------|----------|
| A | Back panel | 6 |
| B | Seat panel | 6 |
| C | Right armrest | 6 |
| D | Left armrest | 6 |
| 1 | Back cushion | 6 |
| 2 | Seat cushion | 6 |

Assembly

1 Attaching armrests

- Place the right armrest (C) on its side on a flat, smooth surface.
- Align the seat panel (B) to the right armrest (C).



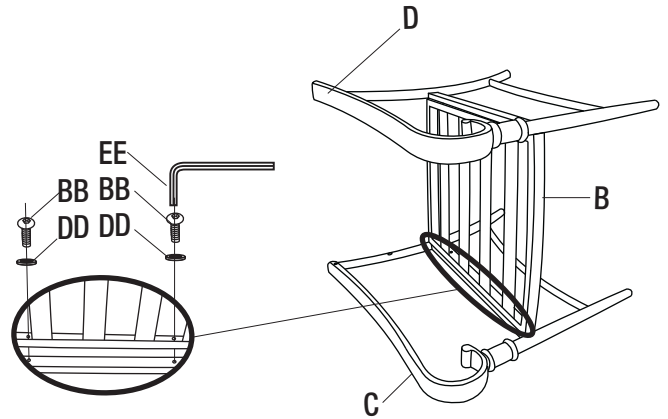
IMPORTANT: You will need to align the seat panel (B) to the proper armrest by lining up the bolt holes on each part.

- Secure the seat panel (B) to the right armrest (C) with washers (DD) and bolts (BB) using the hex wrench (EE).



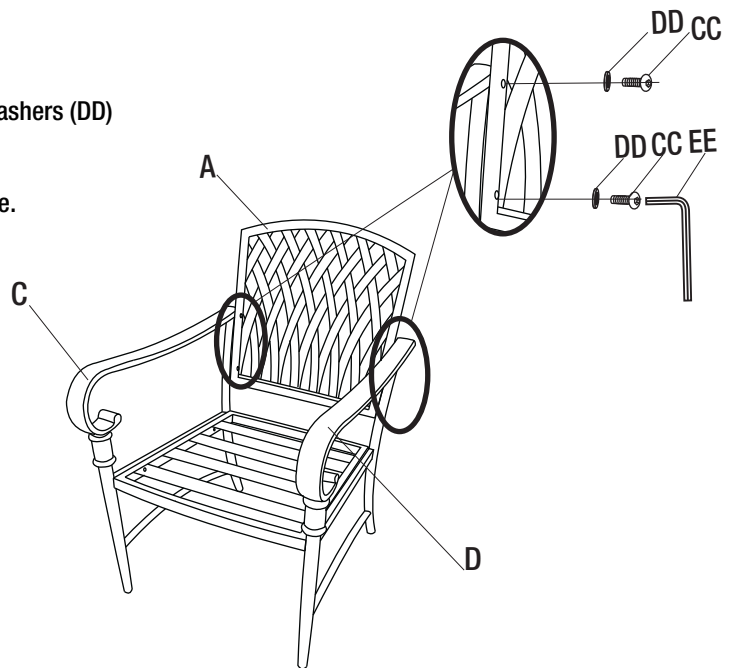
IMPORTANT: Do not fully tighten bolts until the end of Step 2.

- Repeat the above procedure to attach the left armrest (D).



2 Attaching the back panel

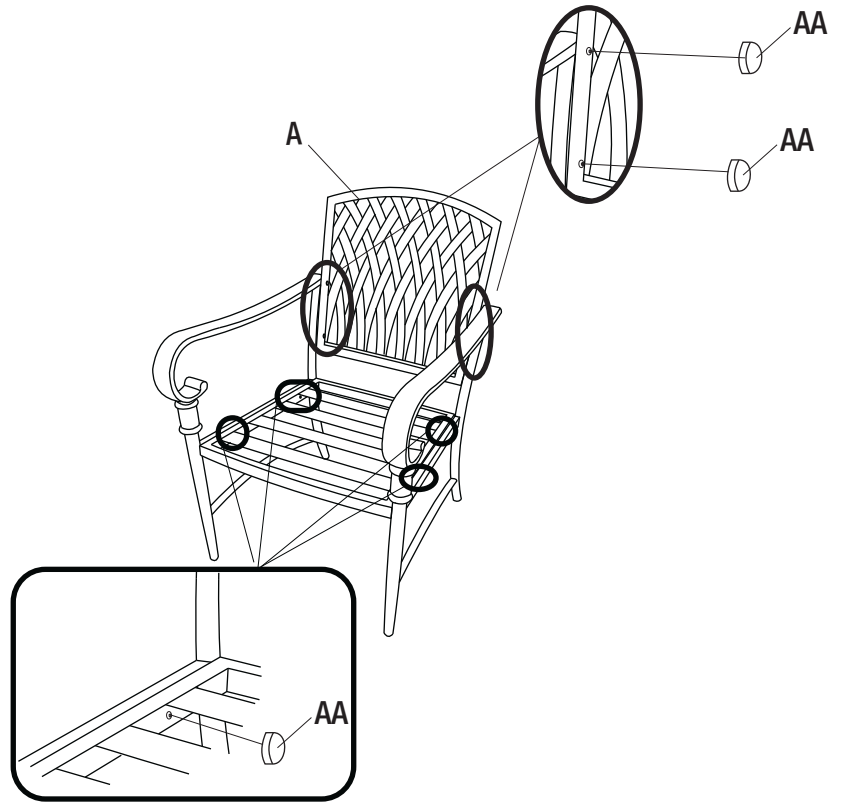
- Align the back panel (A) to the armrests (C) and (D).
- Attach the armrests (C) and (D) to the back panel (A) with washers (DD) and bolts (CC) using the hex wrench (EE).
- Fully tighten all bolts (CC) and (BB) once all bolts are in place.



Assembly (continued)

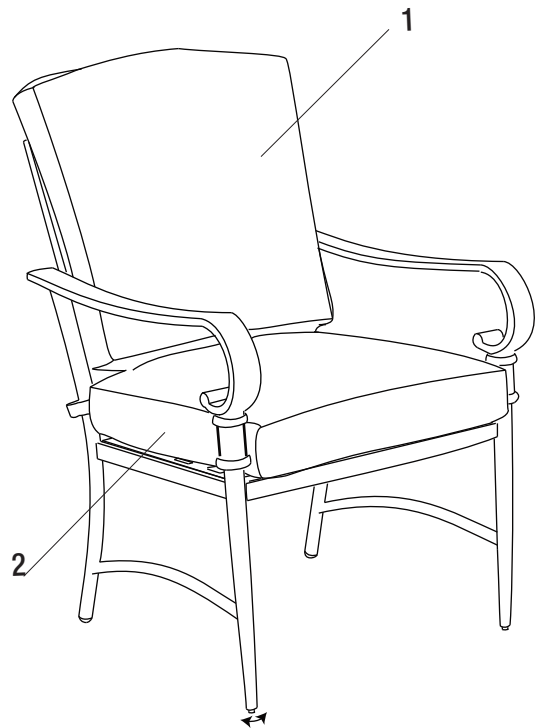
3 Attaching bolt caps

- Cover all bolts (BB) and (CC) with bolt caps (AA).



4 Stabilizing the dining chair

- Level the dining chair with foot glides at the bottom of front chair legs if necessary.
- Place cushions (1 and 2) on the chair and secure the seat cushion to the frame with hook and loop straps.
- Repeat steps 1 through 4 for the other chairs.





Questions, problems, missing parts? Before returning to the store,
call Hampton Bay Customer Service
8.00 a.m. - 7.00 p.m. EST, Monday - Friday,
9.00 a.m. - 6.00 p.m. EST, Saturday

1-855-HD-HAMPTON

HAMPTONBAY.COM

Retain this manual for future use.