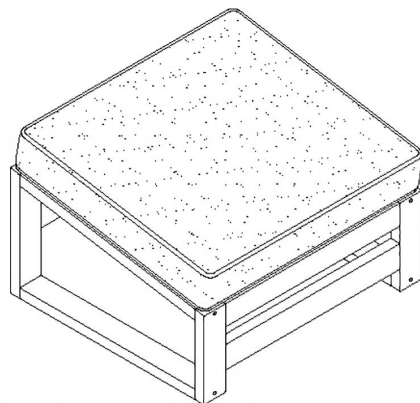
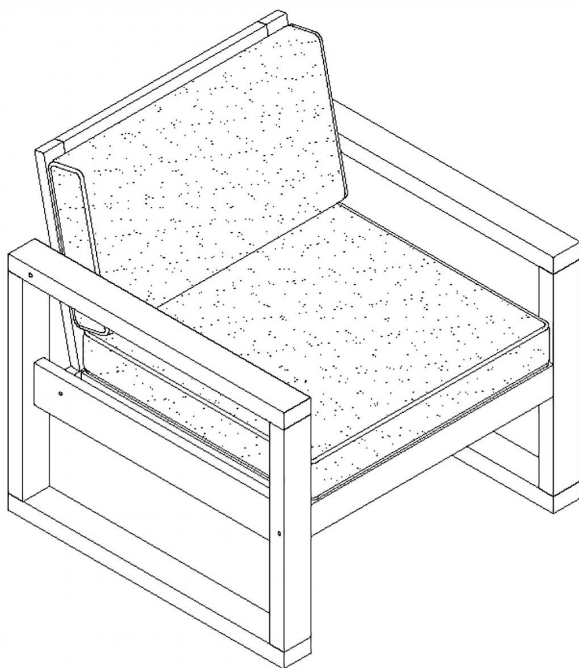


W Walker[®]
Edison
furniture company

Item # : OWOSCHOT
Assembly Instructions



Please visit our website for the most current instructions, assembly tips, report damage, or request parts. www.walkeredison.com

Revised 12/2017

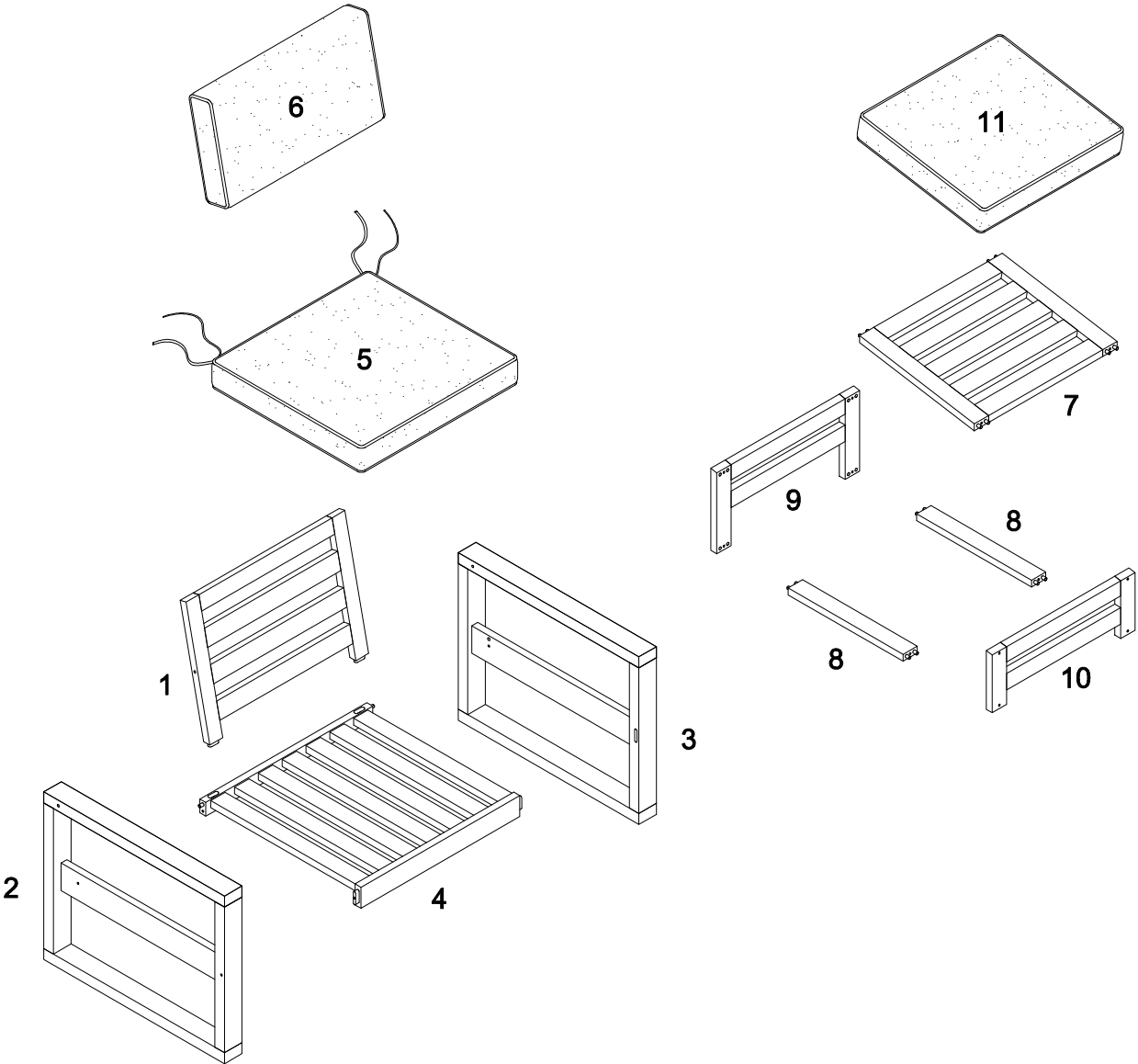
General Assembly Guidelines

Acacia Wood Care and Maintenance:

Like any natural wood, acacia wood will maintain its attractive appearance for much longer when given proper care.

- I. To extend the life of your outdoor furniture, avoid placing acacia wood furniture in direct sunlight for an extended period of time, as the sun's ultraviolet rays can cause the wood to dry out. Position acacia patio furniture underneath an umbrella or canopy to minimize damage due to sun and rain. It is ideal to keep it covered when not in use, during in-climate weather, or while in storage.
- II. Cleaning - Clean spills from acacia wood furniture with a soft cloth moistened with warm, soapy water. Dry the furniture with a second soft cloth or allow it to air-dry.
- III. Maintenance- Rub the acacia wood furniture with a furniture wax or wood preservative product (we recommend Teak Wood Oil products). Apply the teak oil according to the instructions found on the product label. Apply additional applications, as needed, to restore the vitality of the wood.

Parts List

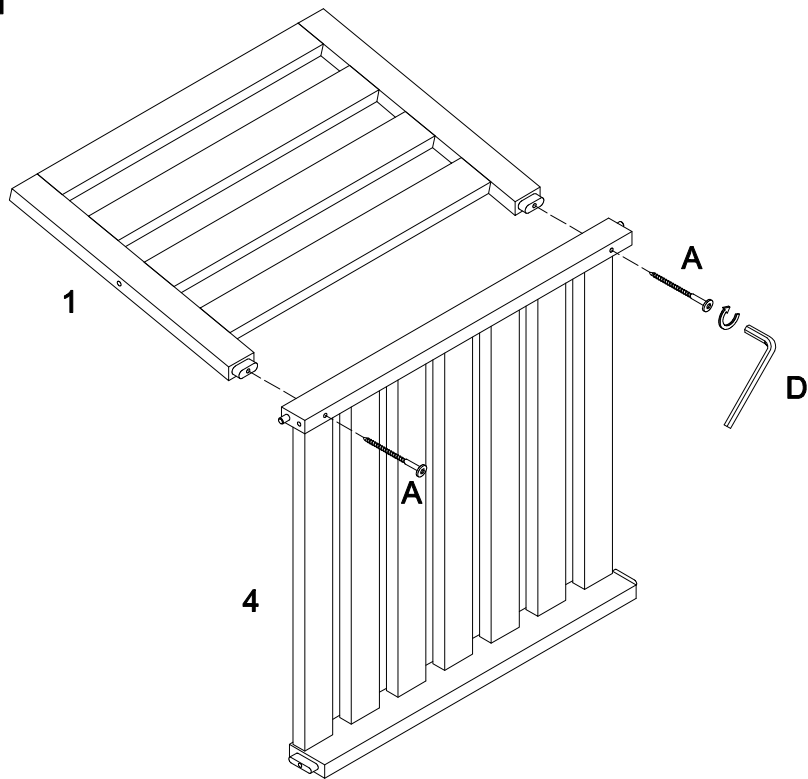


Hardware List

| | | | | |
|---|---|----------|--------|-------|
| A |  | M7x60mm | Screw | 2 pcs |
| B |  | M7x90mm | Screw | 4 pcs |
| C |  | M8x110mm | Bolt | 2 pcs |
| D |  | M4 | Wrench | 1 pc |
| E |  | M6x60mm | Screw | 8 pcs |

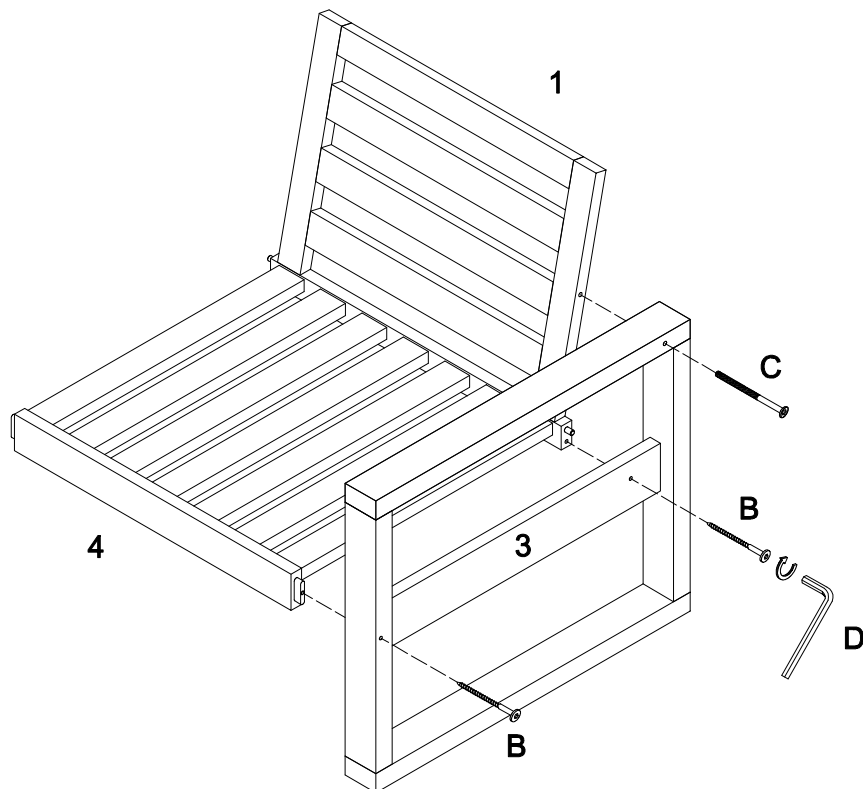
*The hardware quantities listed above are required for proper assembly.
Some extra hardware may also have been included.*

Step 1



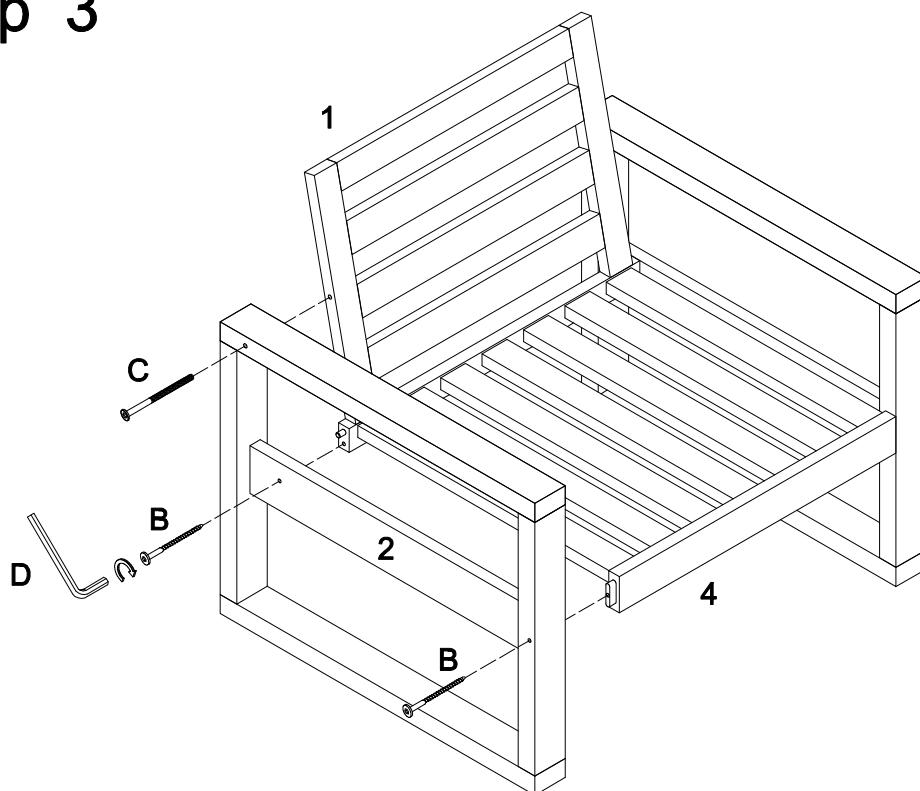
Use Wrench (D) to secure seat frame (4) to back frame (1) with screw (A).

Step 2



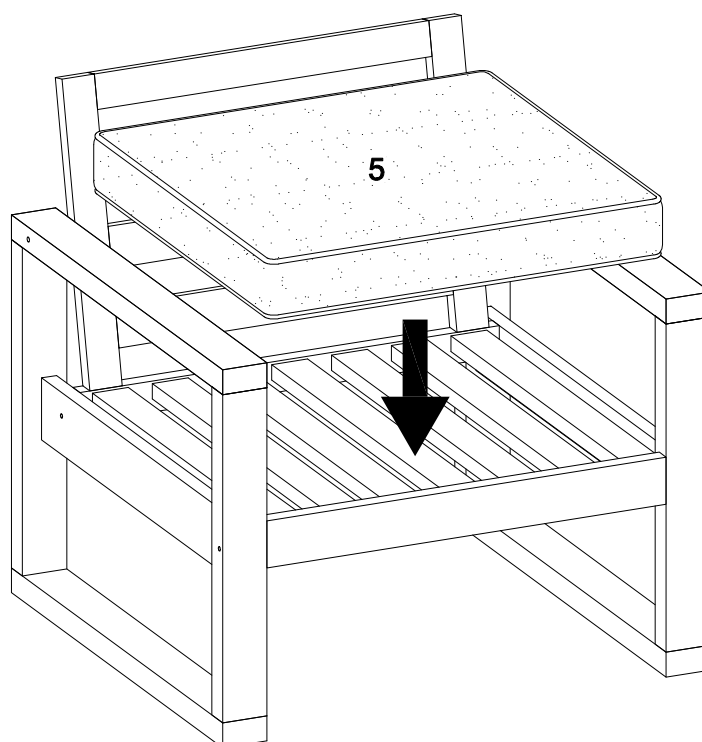
Use Wrench (D) to secure side frame (3) to seat frame (4) and back frame (1) with screw (B) and bolt (C).

Step 3



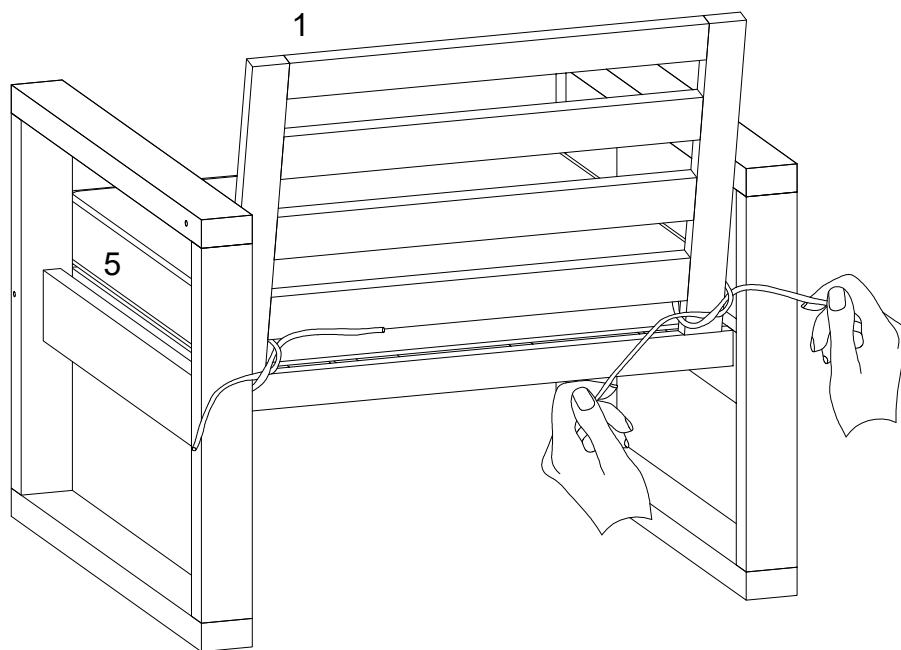
Use Wrench (D) to secure side frame (2) to seat frame (4) and back frame (1) with screw (B) and bolt (C).

Step 4



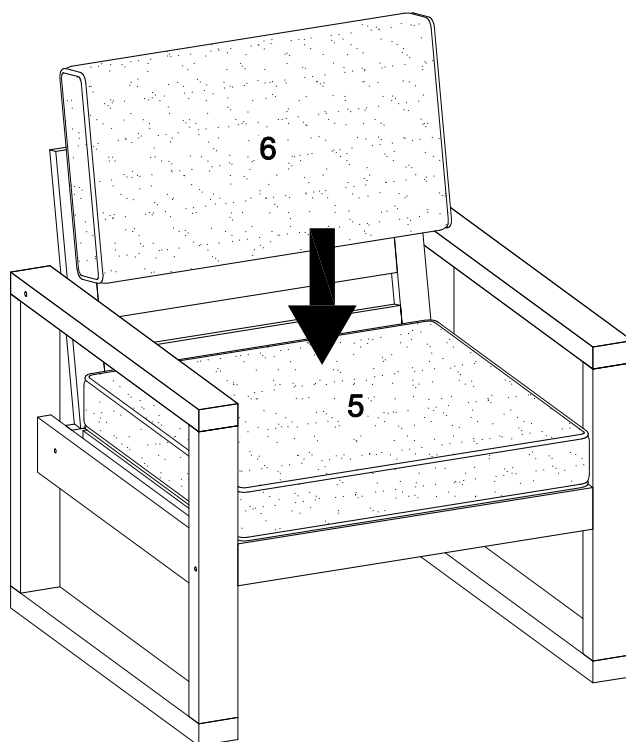
Place cushion (5) on top of the seat frame.

Step 5



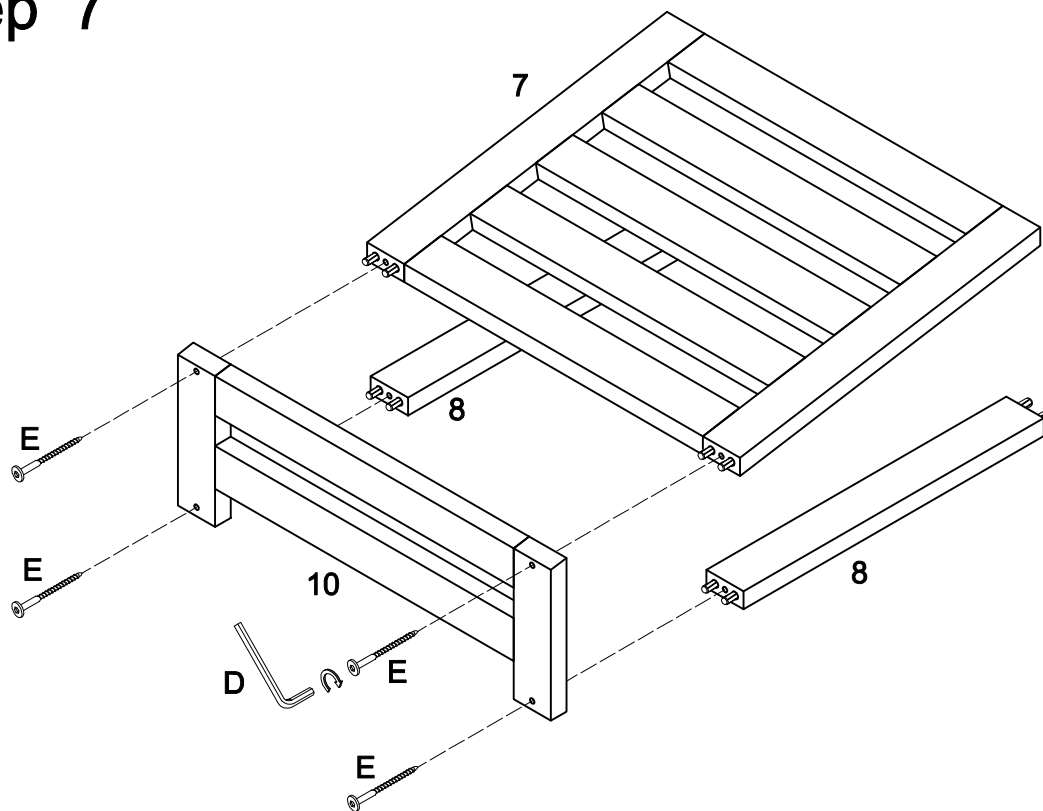
Tie the string on seat cushions (5) to back frame (1).

Step 6



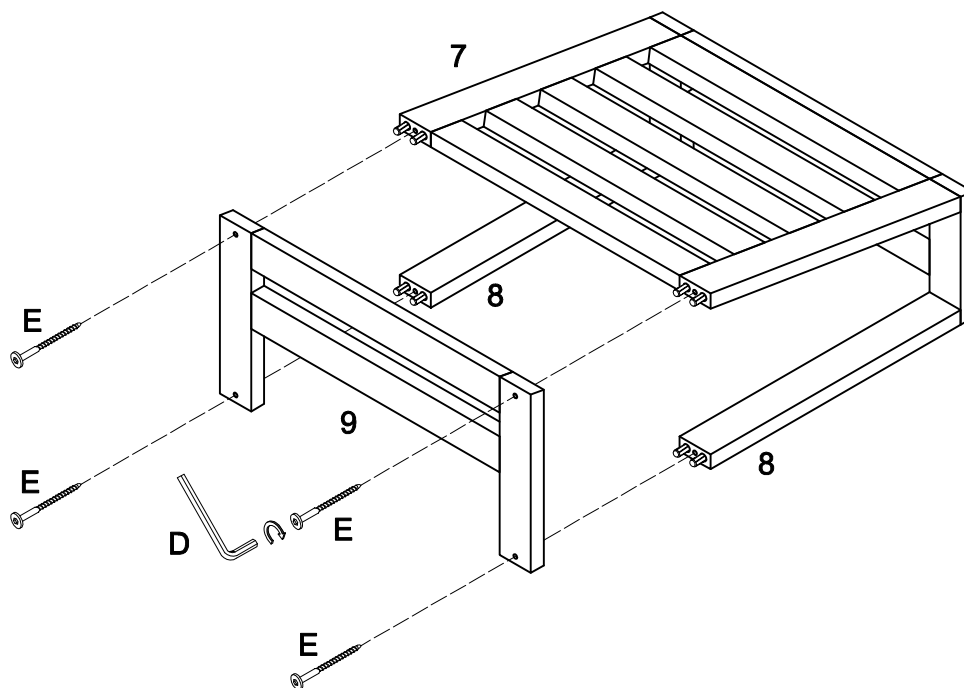
Place back cushion (6) on top of seat cushion (5).

Step 7



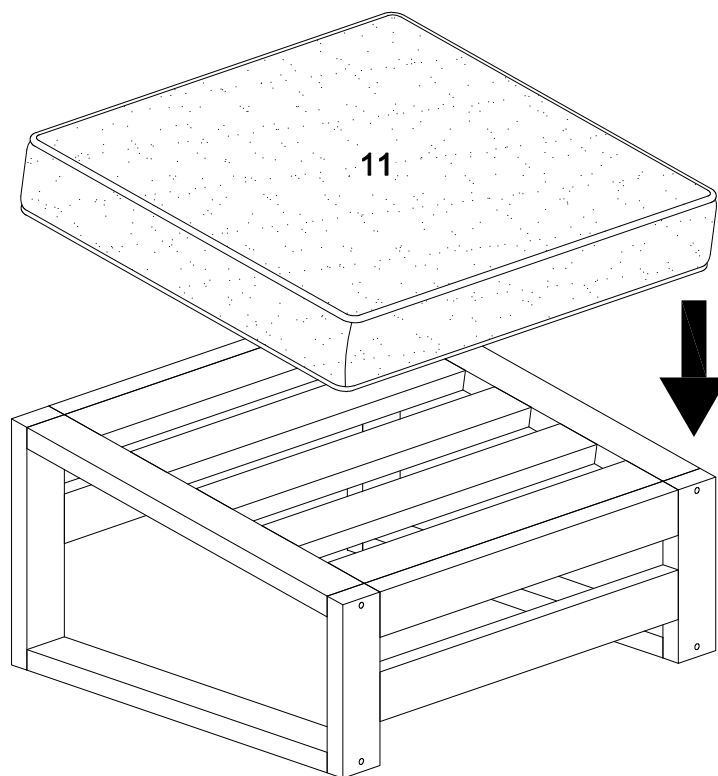
Insert top frame (7) and part (8) into side frame (10), then use wrench (D) to secure side frame (10) to top frame (7) and part (8) with screw (E).

Step 8



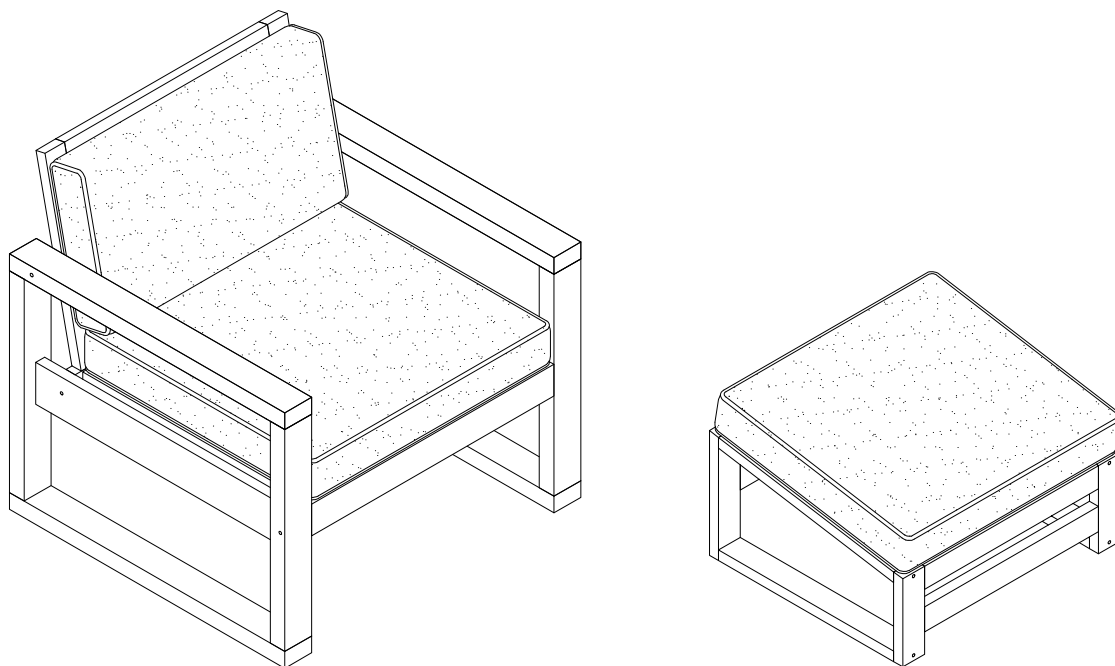
Insert top frame (7) and part (8) into side frame (9), then use wrench (D) to secure side frame (9) to top frame (7) and part (8) with screw (E).

Step 9



Place cushion (11) on top of the top frame.

Step 10



Final Assembly