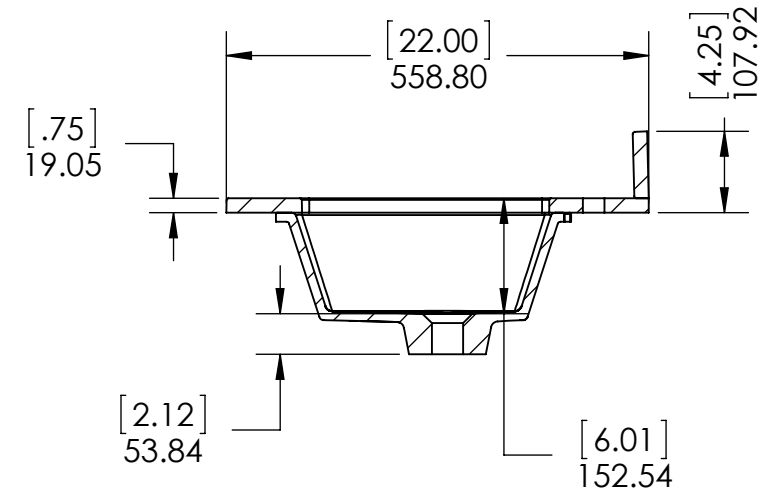
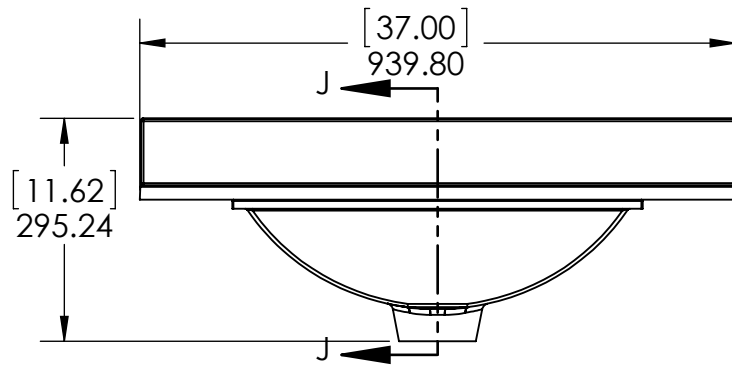
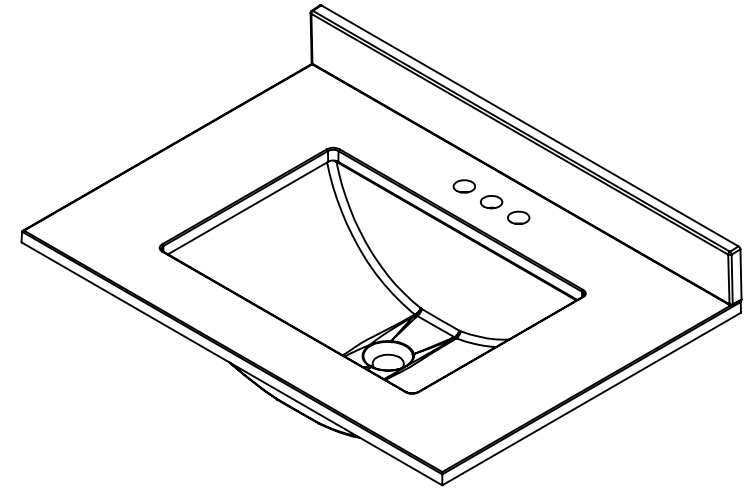
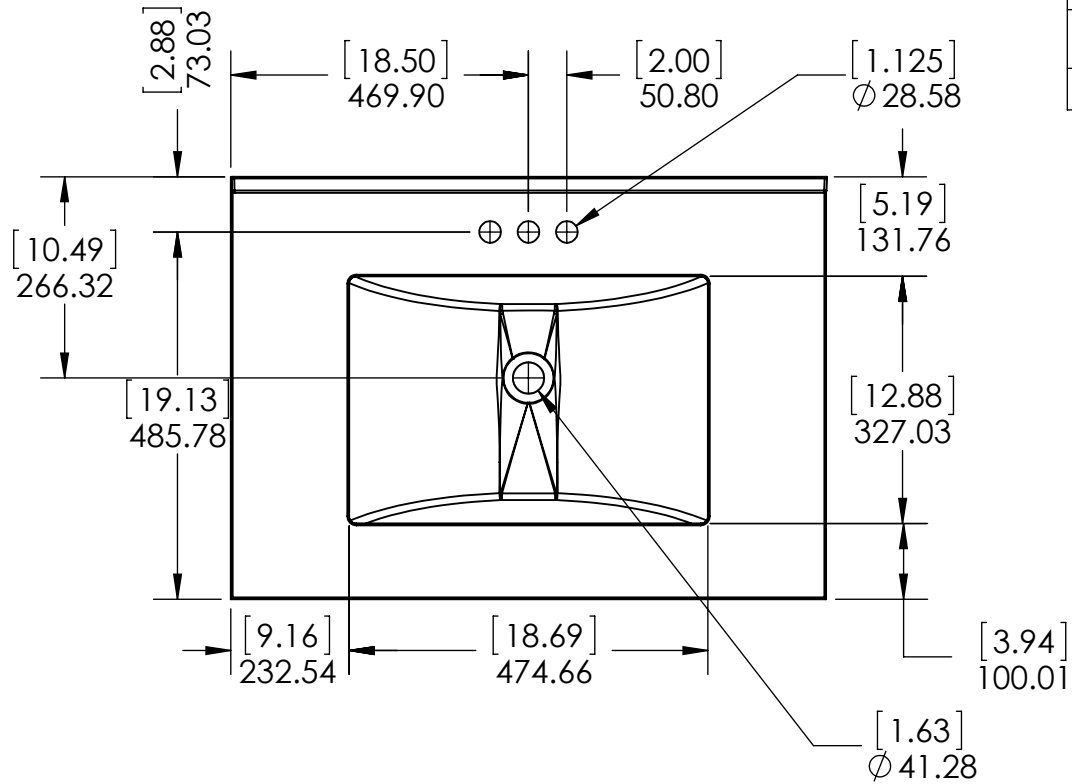


| Rev # | Approved by | Change |
|-------|-------------|-----------------|
| 0 | R. Rubio | Released |
| 1 | O. Razo | New model added |
| | | |



PROPRIETARY AND CONFIDENTIAL
 THE INFORMATION CONTAINED IN THIS DRAWING IS THE SOLE PROPERTY OF WOODCRAFTERS. ANY REPRODUCTION IN PART OR AS A WHOLE WITHOUT THE WRITTEN PERMISSION OF WOODCRAFTERS IS PROHIBITED.

UNLESS OTHERWISE SPECIFIED
 DIMENSIONS ARE IN MM. AND (INCHES)
 TOLERANCES ARE
 +0.125 [3.175] -0.125 [-3.175]
 SCALE:1:10

| | NAME | DATE |
|-----------|----------|----------|
| DRAWN | R. Rubio | 08/22/16 |
| CHECKED | R. Rubio | 08/22/16 |
| ENG APPR. | R. Rubio | 08/22/16 |
| MFG APPR. | C. Leal | 08/22/16 |

Wood Crafters
 Vtop Stone Effect, Rect 37x22
 SHEET 1 OF 2
 REV: 1

| ID | Description | Technology | Status |
|------------|---|--------------|-------------------------|
| SER37-CO | 37 in. Stone Effects Vanity Top in Cold Fusion with White Basin | Stone Effect | Approved for production |
| SER37-DN | 37 in. Stone Effects Vanity Top in Dune with White Basin | Stone Effect | Approved for production |
| SER37-MI | 37 in. Stone Effects Vanity Top in Mayan Ivory with White Basin | Stone Effect | Approved for production |
| SER37-RU | 37 in. Stone Effects Vanity Top in Rustic Gold with White Basin | Stone Effect | Approved for production |
| SERST37-WM | Vtop SE Rect 37x22 Shark Tank -Winter Mist | Stone Effect | Approved for production |
| SE37R-PR | 37 in. Stone Effects Vanity Top in Pulsar White Basin | Stone Effect | Approved for production |

| Rev # | Approved by | Change |
|-------|-------------|-----------------|
| 0 | R. Rubio | Released |
| 1 | O. Razo | New model added |
| | | |

PROPRIETARY AND CONFIDENTIAL
 THE INFORMATION CONTAINED IN THIS DRAWING IS THE SOLE PROPERTY OF WOODCRAFTERS. ANY REPRODUCTION IN PART OR AS A WHOLE WITHOUT THE WRITTEN PERMISSION OF WOODCRAFTERS IS PROHIBITED.

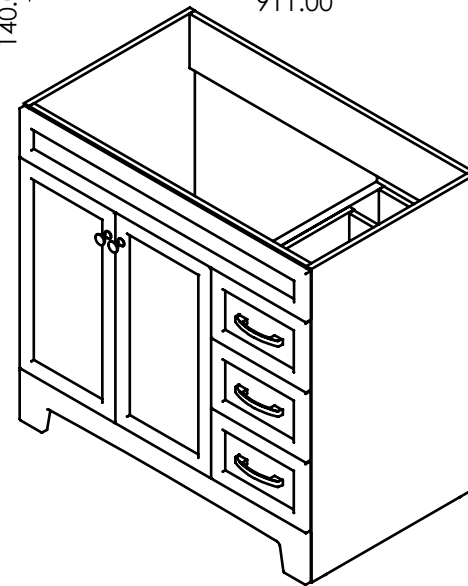
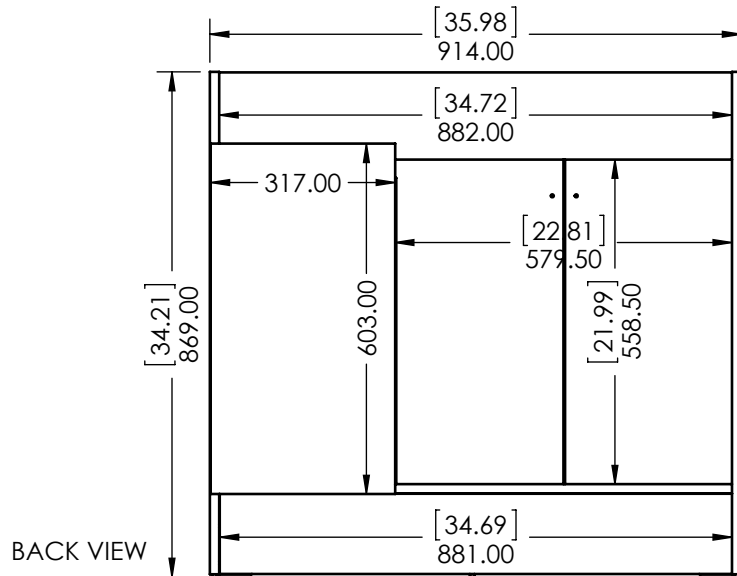
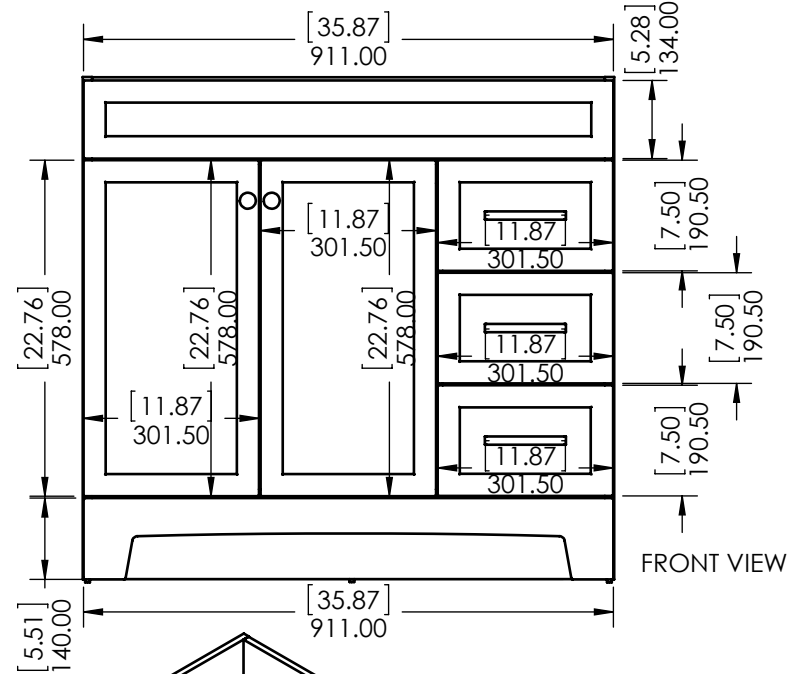
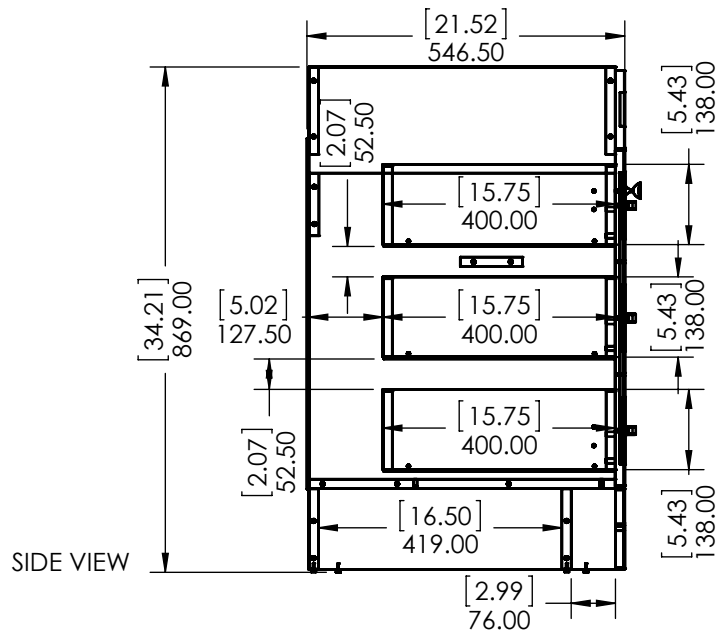
UNLESS OTHERWISE SPECIFIED
 DIMENSIONS ARE IN MM. AND [INCHES]
 TOLERANCES ARE
 + 0.125 [3.175] - 0.125 [-3.175]
 SCALE:1:10

| | NAME | DATE |
|-----------|----------|----------|
| DRAWN | R. Rubio | 08/22/16 |
| CHECKED | R. Rubio | 08/22/16 |
| ENG APPR. | R. Rubio | 08/22/16 |
| MFG APPR. | C. Leal | 08/22/16 |

| | | | | |
|---|--|------|-------------------------------|--------------|
|  | | SIZE | DWG. NO. | SHEET 2 OF 2 |
| | | A | Vtop Stone Effect, Rect 37x22 | REV: 1 |

| ITEM ID | DESCRIPTION |
|-----------|--|
| CE3621-CT | Color Essentials 36in x 21in D Vanity in Cement |
| CE3621-CI | Color Essentials 36in x 21in D Vanity in Ceramic |

| REV | ECO# | DESCRIPTION | REV'D BY DATE | CHK'D BY DATE | APRVD BY DATE |
|-----|------|-------------|---------------|---------------|---------------|
| 0 | | New Release | IASV 5/1/17 | IASV 5/1/17 | IASV 5/1/17 |



PROPRIETARY AND CONFIDENTIAL
 THE INFORMATION CONTAINED IN THIS DRAWING IS THE SOLE PROPERTY OF WOODCRAFTERS HOME PRODUCTS L.L.C. ANY REPRODUCTION IN PART OR AS A WHOLE WITHOUT THE WRITTEN PERMISSION OF WOODCRAFTERS HOME PRODUCTS L.L.C. IS PROHIBITED.

UNLESS OTHERWISE SPECIFIED
 DIMENSIONS ARE IN mm and [inches] AND TOLERANCES ARE +/- 1.0 [0.04]

| | | |
|----------------------|-------------|---------|
| DRAWN BY: | IASV | 5/1/17 |
| CHECKED BY: | IASV | 5/1/17 |
| APPROVED BY: | IASV | 5/1/17 |
| DO NOT SCALE DRAWING | SCALE: 1:10 | SIZE: A |

Wood Crafters

TITLE: **THORNBRIAR 36" ASSEMBLY**

PART NO: _____ PAGE 1 OF 1 REV: **0**