



Step 1

Download the Ring app



The Ring app will walk you through the process outlined in this manual, but in case you like reading small print we've also included this manual.

Visit: ring.com/app



Visit the online setup guide for extra help

We have an online guide with videos and tutorials all about setting up and using your Ring Video Doorbell.

Visit: ring.com/setup

Step 2

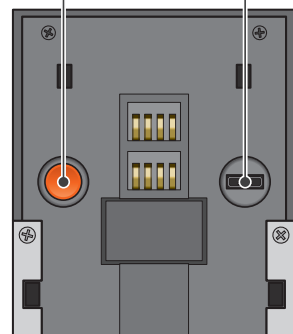
Say "Hello" to the back of your Ring Doorbell

Setup Button – The orange button is the **setup button**. You'll be instructed to push it during the in-app setup.

Charging Port – If you're not wiring your Ring Doorbell, you'll need to charge it periodically by plugging the provided orange cable into the **charging port**.

For more, visit: ring.com/charging

Setup Button Charging Port

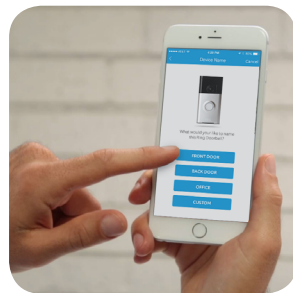


Step 3

Perform the in-app setup

The Ring app will walk you through this process.

Download the Ring app by visiting ring.com/app



Select the plus sign in the Ring app to set up a new device, and when prompted, select **Video Doorbell**.

Perform setup inside near your router. **You'll need your network name and Wi-Fi password.**

Step 4

Push the Front Button to Run a Test

After setup, push the front button on your Ring Doorbell **indoors near your router** to see video from your Ring Doorbell in the Ring app. **Then test your Ring Doorbell outside.**



If video quality from your Ring Doorbell is not as good **outdoors** as it was **indoors**, you may need to move your router closer to your door, or invest in an extender.

Learn more at: ring.com/extender

Step 5

Remove Your Existing Doorbell (optional)

If you're replacing a wired doorbell, first turn off the power at the breaker. Then remove your doorbell from the wall, and disconnect the wires.



If you notice a diode when you remove your wired doorbell, take note of this as it means you will need to use the included diode.

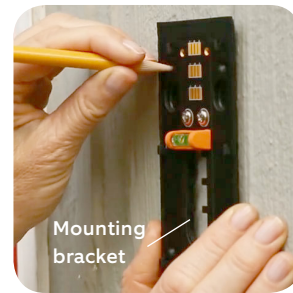


Diode

Step 6

Install the Mounting Bracket

Take everything that came in the box, along with a power drill if you're installing on **stucco, brick or concrete**, to the spot where you'll be installing your Ring Doorbell.

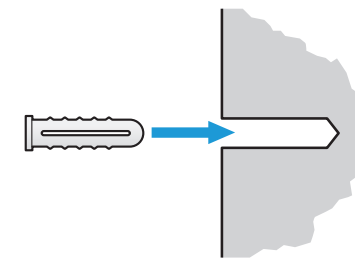


Snap the provided level onto the mounting bracket and use it to help position the bracket.

Then **remove the orange tape**, and use the mounting bracket as a template to mark the four corner holes.

Installing the Mounting Bracket (continued)

On **stucco, brick, or concrete** install the anchors using the provided drill bit and a power drill before installing the mounting bracket.

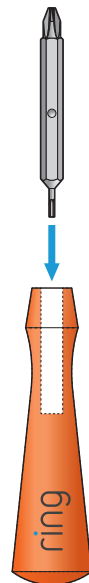


On **wood or siding**, you can skip this part, and screw the bracket directly into your wall.

If you have a smaller drill bit, it may help to use this bit to drill pilot holes.

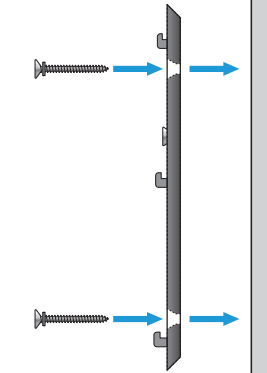
Installing the Mounting Bracket (continued)

Use the phillips head side of the Ring screwdriver for screwing in your mounting bracket.



Installing the Mounting Bracket (continued)

Drive the screws into the anchors, or directly into your wall until they are flush with the mounting bracket, and the bracket is flat against your wall.

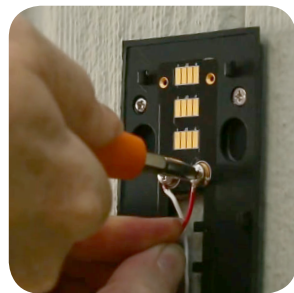


If your wall is not completely flat, **be careful not to screw the bracket in so tightly that it bends.**

Step 7

Connect the Wires (optional)

Connect the wires coming out of your wall to the screws on the bracket. Note that **it doesn't matter which wire connects to which screw.**



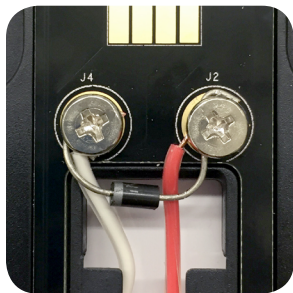
The wiring must be connected to a transformer with a voltage of **8VAC – 24VAC** and an internal doorbell or resistor.

DC transformers and (therefore) most intercoms are not supported.

How and When to Use the Diode

If your doorbell is digital (ie: plays a melody), attach the included diode to the two screws on your bracket.

If your doorbell is mechanical (ie: goes "ding-dong"), **DO NOT** use the diode.



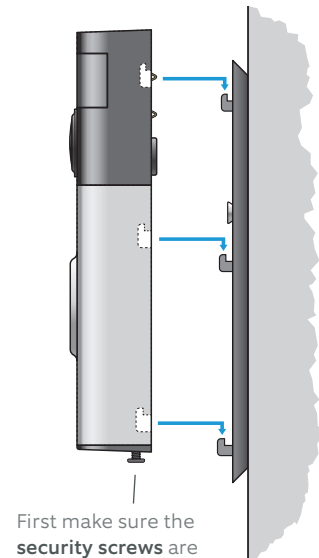
If you have a **digital doorbell**, connecting the diode the wrong way won't do any harm. If your doorbell doesn't ring, just reverse the diode.

Learn more at ring.com/diode

Step 8

Attach Your Doorbell to the Bracket

Line up the holes in your Ring Doorbell with the slots on the bracket. **Push firmly towards the wall and then down until you feel a click.**

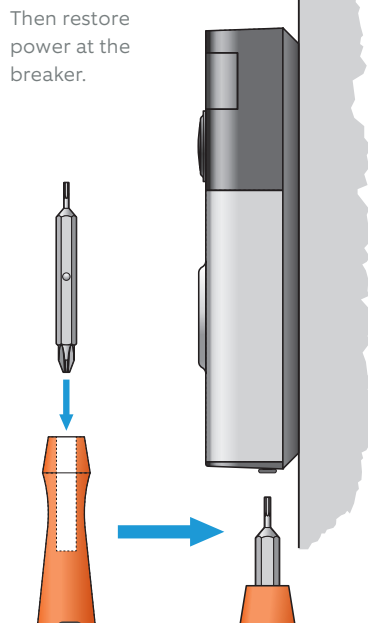


First make sure the **security screws** are loose.

Step 8

Secure Your Ring Doorbell

Use the star-shaped end of your Ring screwdriver to tighten the **security screws** on the bottom of your Ring Doorbell.



Then restore power at the breaker.

Step 8

Bask in the pride of having installed your Ring Video Doorbell!

Thanks for helping to make your neighborhood safer. Now push the front button on your Ring to try it out.

Then check out the following advanced features...

Shared Users

To let family or friends answer live events and view recordings (if cloud recording is enabled), select **Shared Users** on the settings screen of the Ring app, and enter their email(s).

Motion Detection

To enable and customize motion detection, select **Motion Settings** on the settings screen of the app.

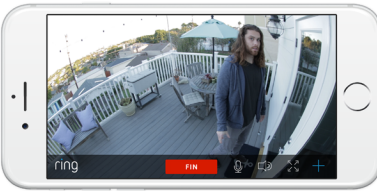
Ring Light Patterns

The front light on your Ring Doorbell uses a number of patterns to communicate messages.

Here are some common ones:

- Wired**: White Solid
- Front Button Pushed**: Blue Spinning
- Ring Speaker Enabled**: Blue Solid
- Charging**: Charge Percentage
- In Setup Mode**: White Spinning
- Updating software**: White Flashing

Answering Your Door

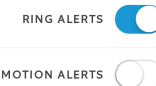


When someone is at your door, you can perform the following actions:

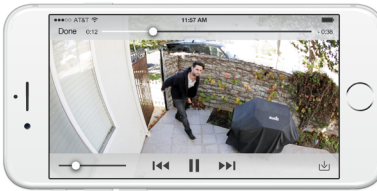
- Disable/enable your microphone**
- Mute/unmute your speaker**
- Zoom in/out**
- Access the Ring Plus menu**

Turning alerts on or off:

You can toggle alerts for Rings or Motions on or off in the Ring app.



Cloud Video Recording



This optional feature saves events captured by your Ring Doorbell.

You can access these events on any device running the Ring app, or at: ring.com/activity

To learn more about Cloud Video Recording, visit: ring.com/cloud-recording

With Ring, You're **Always Home**

Never Miss a Ring



Ring Chime

Ring Chime is an optional add-on that alerts you when you have a visitor even if your phone is in the other room.

Learn more at: ring.com/chime

For additional help, visit: ring.com/help

We're available 7 days a week at: [US 1.800.656.1918](tel:18006561918) • help@ring.com

This device complies with Part 15 of the FCC Rules. Operation is subject to the following two conditions: (1) this device may not cause harmful interference, and (2) this device must accept any interference received, including interference that may cause undesired operation. For best results, use type Li-Ion batteries. Install only new batteries of the same type in your product. Failure to insert batteries in the correct polarity, as indicated in the battery compartment, may shorten the life of the batteries or cause batteries to leak. Do not mix old and new batteries. Do not mix Alkaline, Standard (Carbon-Zinc) or Rechargeable (Nickel Cadmium) or (Nickel Metal Hydride) batteries. Do not dispose of batteries in fire. Batteries should be recycled or disposed of as per state and local guidelines.

Warning: Changes or modifications to this unit not expressly approved by the party responsible for compliance could void the user's authority to operate the equipment.

NOTE: This equipment has been tested and found to comply with the limits for a Class B digital device, pursuant to Part 15 of the FCC Rules. These limits are designed to provide reasonable protection against harmful interference in a residential installation. This equipment generates, uses and can radiate radio frequency energy and, if not installed and used in accordance with the instructions, may cause harmful interference to radio communications.

However, there is no guarantee that interference will not occur in a particular installation. If this equipment does cause harmful interference to radio or television reception, which can be determined by turning the equipment off and on, the user is encouraged to try to correct the interference by one or more of the following measures:

- Reorient or relocate the receiving antenna.
- Increase the separation between the equipment and receiver.
- Connect the equipment into an outlet on a circuit different from that to which the receiver is connected.
- Consult the dealer or an experienced radio/TV technician for help.

Hereby, Bot Home Automation, declares that this consumer electronic is in compliance with the essential requirements and other relevant provisions of Directive 1999/5/EC. The declaration of conformity may be consulted at www.ring.com/Doc.pdf.

Protect the device from direct sunlight. Install the device at dry locations and protect it against rain and humidity. The device may not get contact to salt water or other conductive liquids. The device must be charged only within a building in a dry state.

© 2016 Bot Home Automation, Inc. RING, ALWAYS HOME, and CHIME are trademarks of Bot Home Automation, Inc.

ring 1523 26th St. Santa Monica, CA 90404