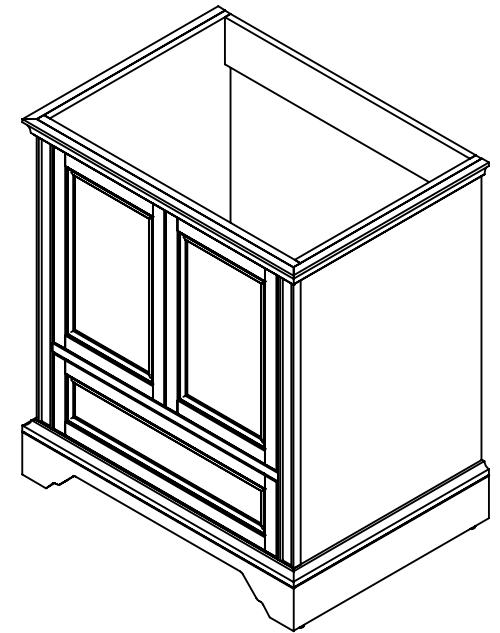
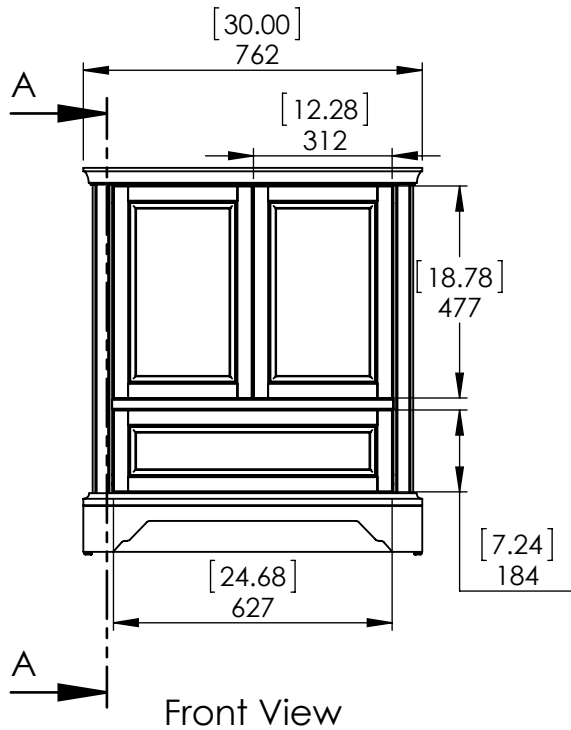


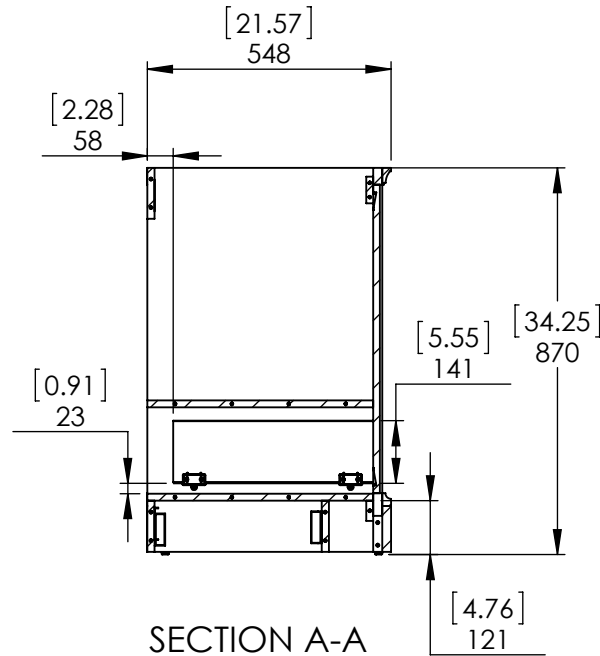
Top View



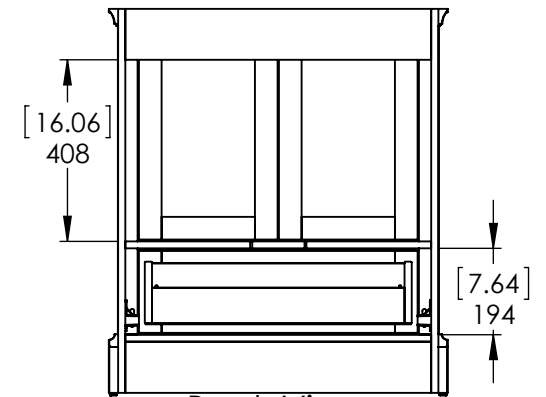
Isometric View



Front View



SECTION A-A  
SCALE 1 : 17



Back View

ITEM:	SF30-WH SF30-CH SF30-ST SF30-CR	REV	<b>A</b>
-------	------------------------------------	-----	----------

NAME:  
**Straffield 30in-White/Sterling/  
 Chocolate/Cream**



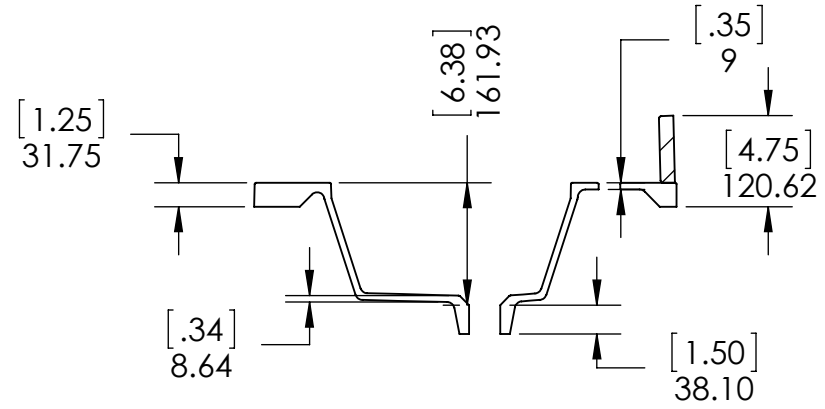
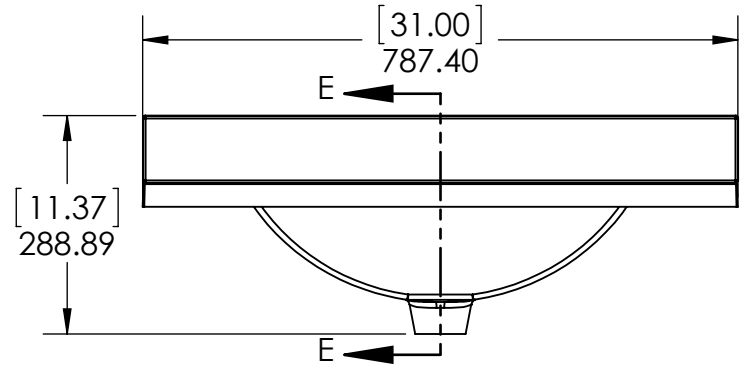
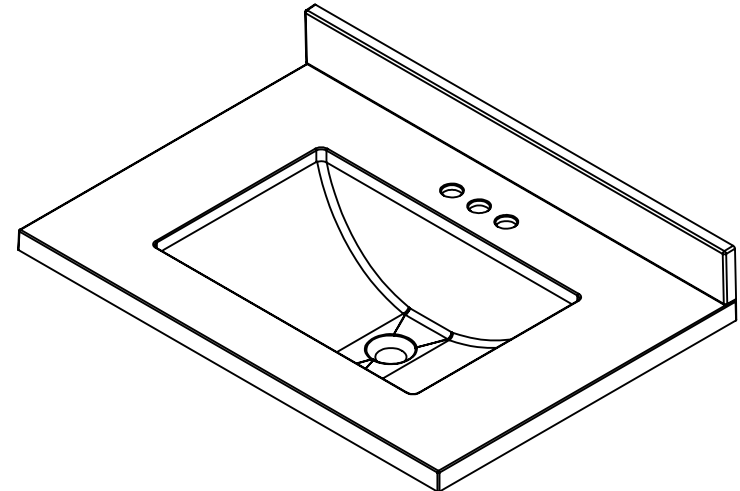
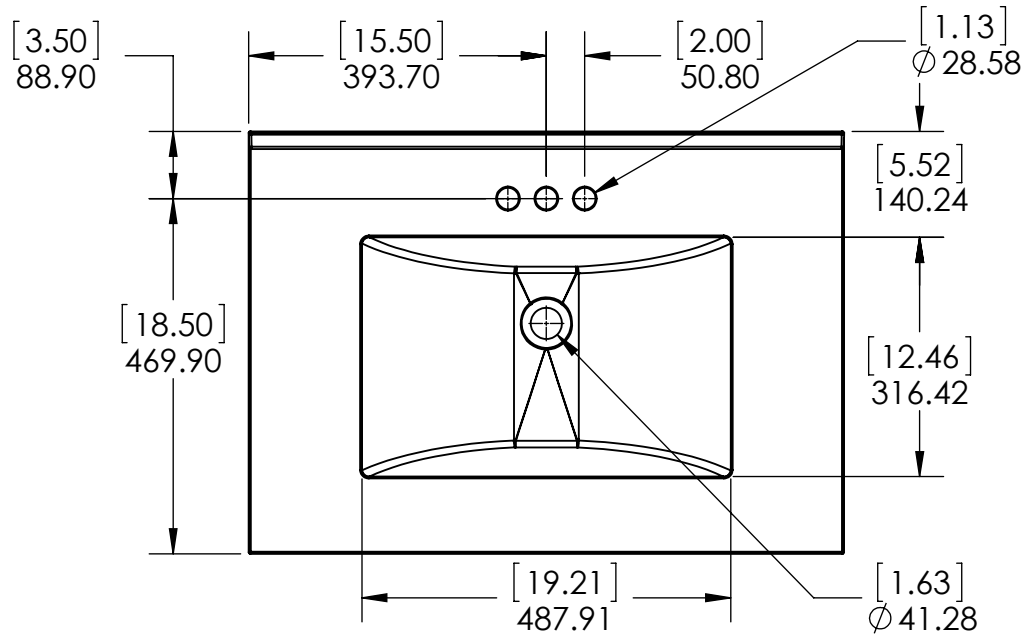
DRW:	ARB	03/28/18
REV:	ING	03/28/18
APP:	R&D	03/28/18
SCALE:	1:15	MODEL:

MATERIAL:  
**German Beech 4/4  
 Laminated Particle Board**

**Straffield 30in**

DRAWING TYPE	ITEM ID	ITEM DESCRIPTION	TECHNOLOGIES	DRAWING STATUS
Finish Good	SS3122R-TI	Vtop Rect 31x22 SS Titanium	Solid Surface	Design Process
Finish Good	SS31R-AH	Vtop Rect 31x22 SS Silver Ash Shark tank	Solid Surface	Ready for production

REV	ECO #	DESCRIPTION	REV'D BY DATE	CHK'D BY DATE	APRV'D BY DATE
1		Original	4/05/16	4/05/16	4/05/16
2		New color	1/31/18	1/31/18	1/31/18



**PROPRIETARY AND CONFIDENTIAL**  
 THE INFORMATION CONTAINED IN THIS DRAWING IS THE SOLE PROPERTY OF WOODCRAFTERS. ANY REPRODUCTION IN PART OR AS A WHOLE WITHOUT THE WRITTEN PERMISSION OF WOODCRAFTERS IS PROHIBITED.

UNLESS OTHERWISE SPECIFIED  
 DIMENSIONS ARE IN MM. AND (INCHES)  
 TOLERANCES ARE  
 +0.125 [3.175] -0.125 [-3.175]  
 SCALE:1:10

	NAME	DATE
DRAWN	R. Rubio	1/31/18
CHECKED	O. Razo	1/31/18
ENG APPR.	R. Rubio	1/31/18
MFG APPR.	C. Leal	1/31/18

**Wood Crafters**

SIZE DWG. NO. **A** Vtop Rect 31x22 Solid Surface

SHEET 1 OF 1 REV. **2**