

homestyles®

20 05551 0030

Dining Table



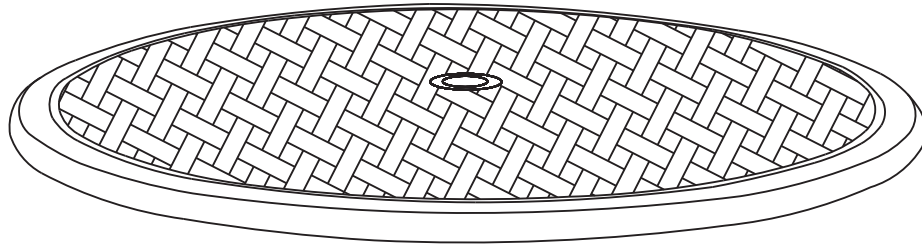
IMPORTANT

Carefully remove all the parts from the carton and place them individually on a soft cloth to prevent scratches or other damage.

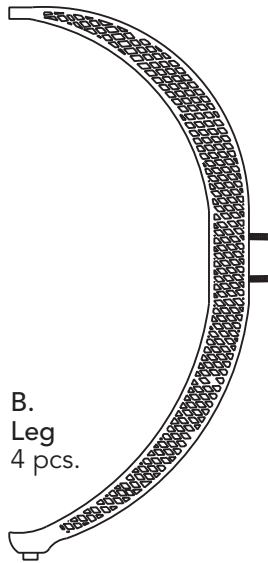
Carefully and strictly follow these assembly instructions to ensure a completed product as designed.

This product is made of aluminum. Do not use power tools above 8 volts to assemble and only tighten bolts until snug. Over tightening can damage the aluminum.

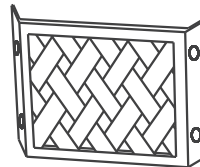
Part List



A.
Top
1 pc.



B.
Leg
4 pcs.



C.
Side Frame
4 pcs.

Hardware List



Wrench
1 pc.



Spring Washer
12 pcs. (+1 extra)



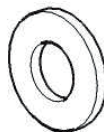
Nut
12 pcs. (+1 extra)



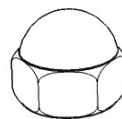
Cover
1 pc.



M8x40
Bolt
4 pcs. (+1 extra)



Flat Washer
12 pcs. (+1 extra)



Nut Cap
12 pcs. (+1 extra)

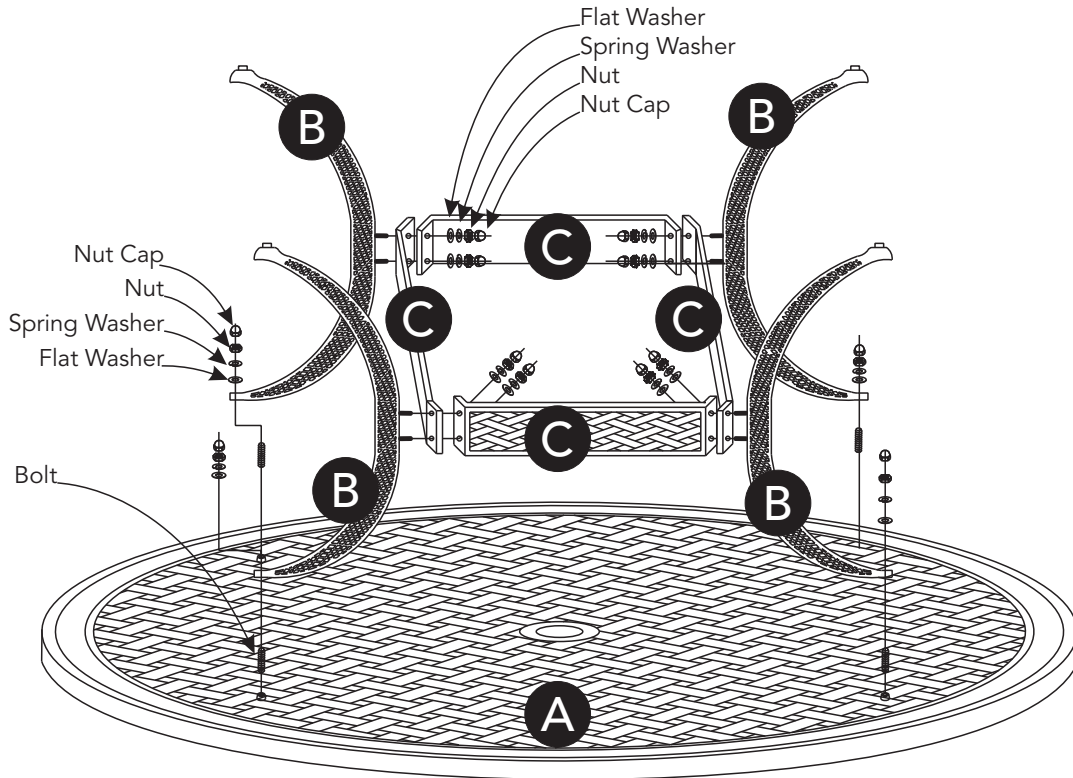
Tool(s) required for assembly: Slotted screwdriver, Level

Home Styles Customer Service: www.homestyles-furniture.com,
servicedesk@homestyles-furniture.com, 888-680-7460, 877-831-0319

Assembly Instructions 2/3

IMPORTANT

- Use a soft cloth between these parts and the floor.
- Do not use power tools above 8 volts to assemble.
- Do not tighten all the bolts until each part is properly assembled.
- The unit must be level to work properly. Use the included adjustable levelers to level.
- Keep Wrench as the nuts may need to be tightened in the future.



STEP 1

Attach Legs (B) to Side Frames (C) with Flat Washers, Spring Washers and Nuts, tightening nuts only halfway. (See Figures 1 and 2)

Place Top (A) upside down on a soft cloth.

Insert Bolts into pre-drilled holes in Top (A), then tighten. (See Figure 3)

Attach unit to Top (A) with Flat Washers, Spring Washers and Nuts, tightening nuts only halfway.

Tighten all Nuts.

Cover all Nuts with Nut Caps.

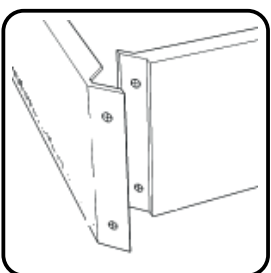


Figure 1

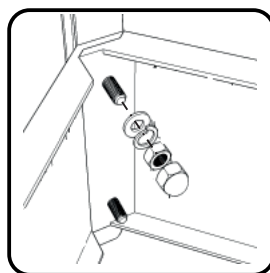


Figure 2

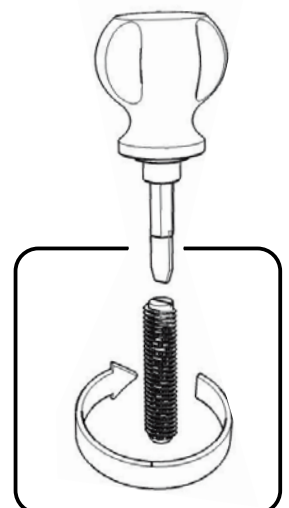
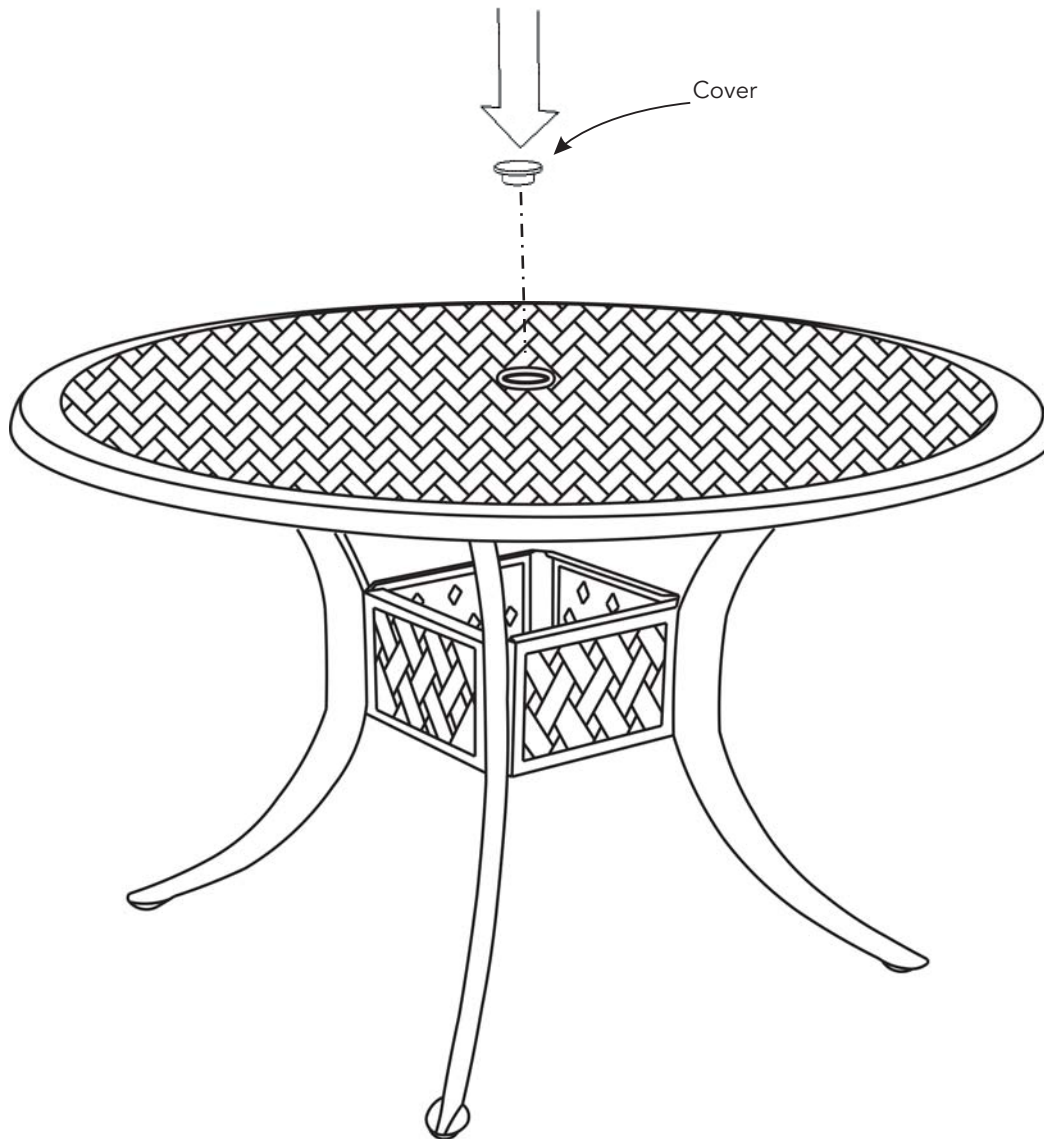


Figure 3

Assembly Instructions 3/3



STEP 2

Turn table over to its' upright position.

Cover umbrella hole with Cover.

Level table by adjusting the adjustable levelers on bottom of legs.
(See Figure 4)



Figure 4

CARE INSTRUCTIONS

NEVER

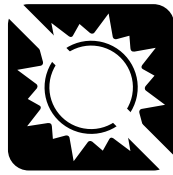
allow liquids to remain on furniture.
Absorption causes parts to warp
and split and finishes to delaminate.

NEVER

use glass cleaners on
finished furniture. Ammonia
chemically attacks the finish.



Do not use power tools
above 8 volts to assemble.
**PREVENT
CRACKING**



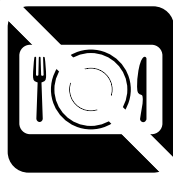
Do not place
in direct sunlight.
**PREVENT
FADING**



Do not write
directly on surface.
**PREVENT
MARKING**



Do not place hot
objects on surface.
**PREVENT
FINISH DAMAGE**



Do not use rubber
based placemats.
**PREVENT
DISCOLORING**



Do not use commercial
waxes and polishes.
**PREVENT
YELLOWING**

CLEAN

with a soft cloth moistened
in lukewarm soap and water.
Buff with a dry clean cloth.



Home Styles will provide replacements free of charge for missing or damaged hardware or parts within 30 days of purchase. Digital images of the defective parts may be required. If the product was not purchased from an authorized retail affiliate, Home Styles is under no obligation to provide replacement parts. Parts are not available for fully assembled items nor are parts available for sale. Replacements for missing or damaged hardware or parts may be requested at:

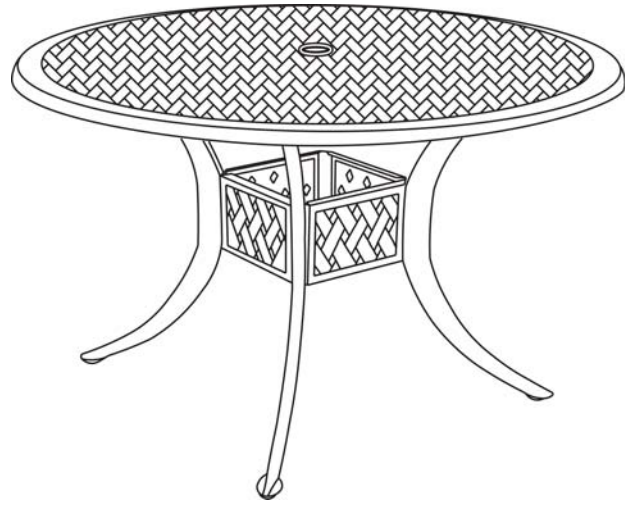
www.homestyles-furniture.com/customer-service/replacement-parts

Home Styles Customer Service: www.homestyles-furniture.com,
servicedesk@homestyles-furniture.com, 888-680-7460, 877-831-0319

homestyles®

20 05551 0032

Dining Table



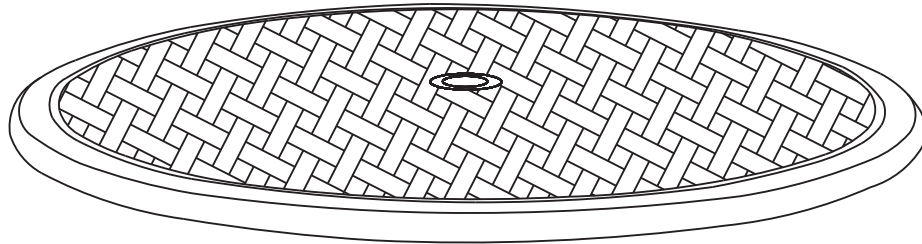
IMPORTANT

Carefully remove all the parts from the carton and place them individually on a soft cloth to prevent scratches or other damage.

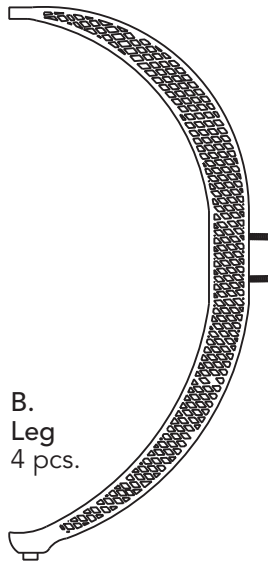
Carefully and strictly follow these assembly instructions to ensure a completed product as designed.

This product is made of aluminum. Do not use power tools above 8 volts to assemble and only tighten bolts until snug. Over tightening can damage the aluminum.

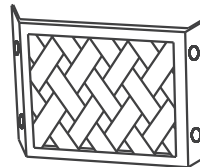
Part List



A.
Top
1 pc.



B.
Leg
4 pcs.



C.
Side Frame
4 pcs.

Hardware List



Wrench
1 pc.



Spring Washer
12 pcs. (+1 extra)



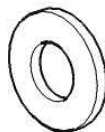
Nut
12 pcs. (+1 extra)



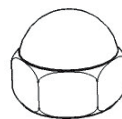
Cover
1 pc.



M8x40
Bolt
4 pcs. (+1 extra)



Flat Washer
12 pcs. (+1 extra)



Nut Cap
12 pcs. (+1 extra)

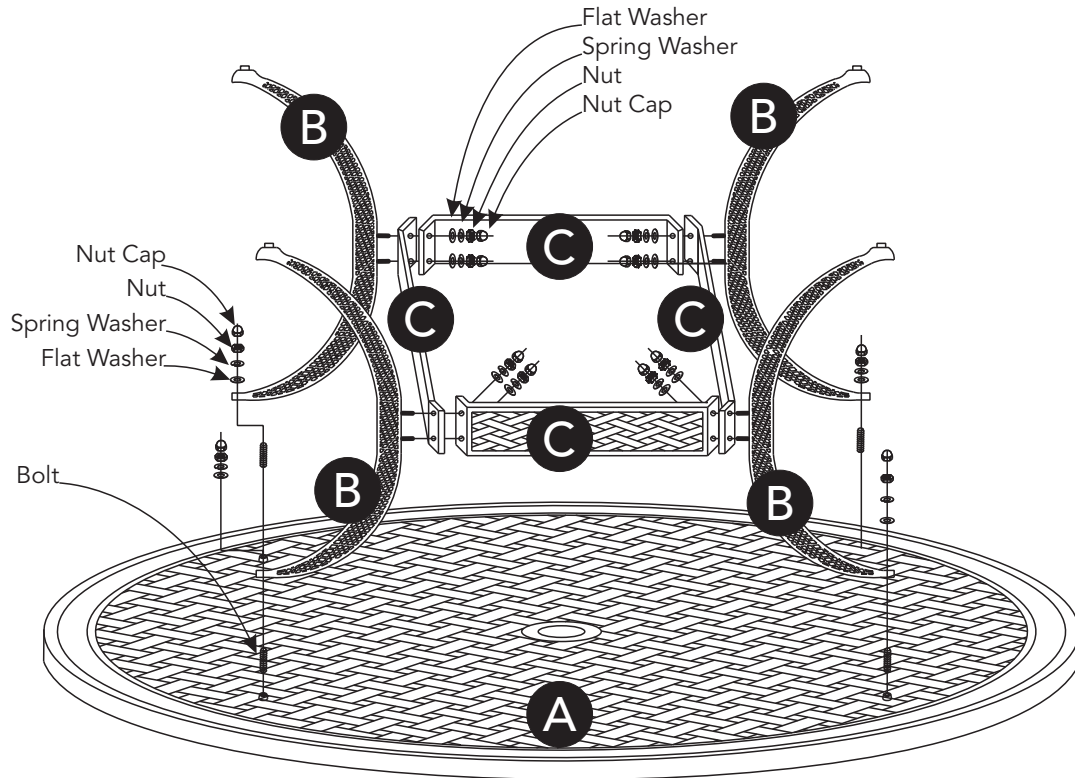
Tool(s) required for assembly: Slotted screwdriver, Level

Home Styles Customer Service: www.homestyles-furniture.com,
servicedesk@homestyles-furniture.com, 888-680-7460, 877-831-0319

Assembly Instructions 2/3

IMPORTANT

- Use a soft cloth between these parts and the floor.
- Do not use power tools above 8 volts to assemble.
- Do not tighten all the bolts until each part is properly assembled.
- The unit must be level to work properly. Use the included adjustable levelers to level.
- Keep Wrench as the nuts may need to be tightened in the future.



STEP 1

Attach Legs (B) to Side Frames (C) with Flat Washers, Spring Washers and Nuts, tightening nuts only halfway. (See Figures 1 and 2)

Place Top (A) upside down on a soft cloth.

Insert Bolts into pre-drilled holes in Top (A), then tighten. (See Figure 3)

Attach unit to Top (A) with Flat Washers, Spring Washers and Nuts, tightening nuts only halfway.

Tighten all Nuts.

Cover all Nuts with Nut Caps.

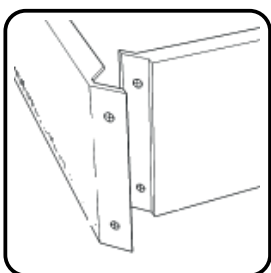


Figure 1

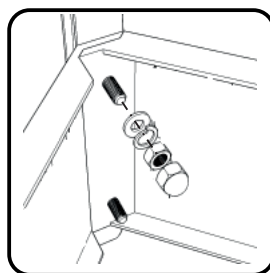


Figure 2

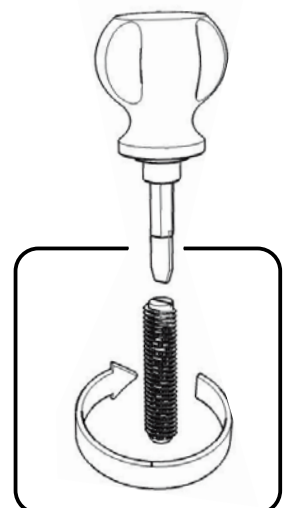
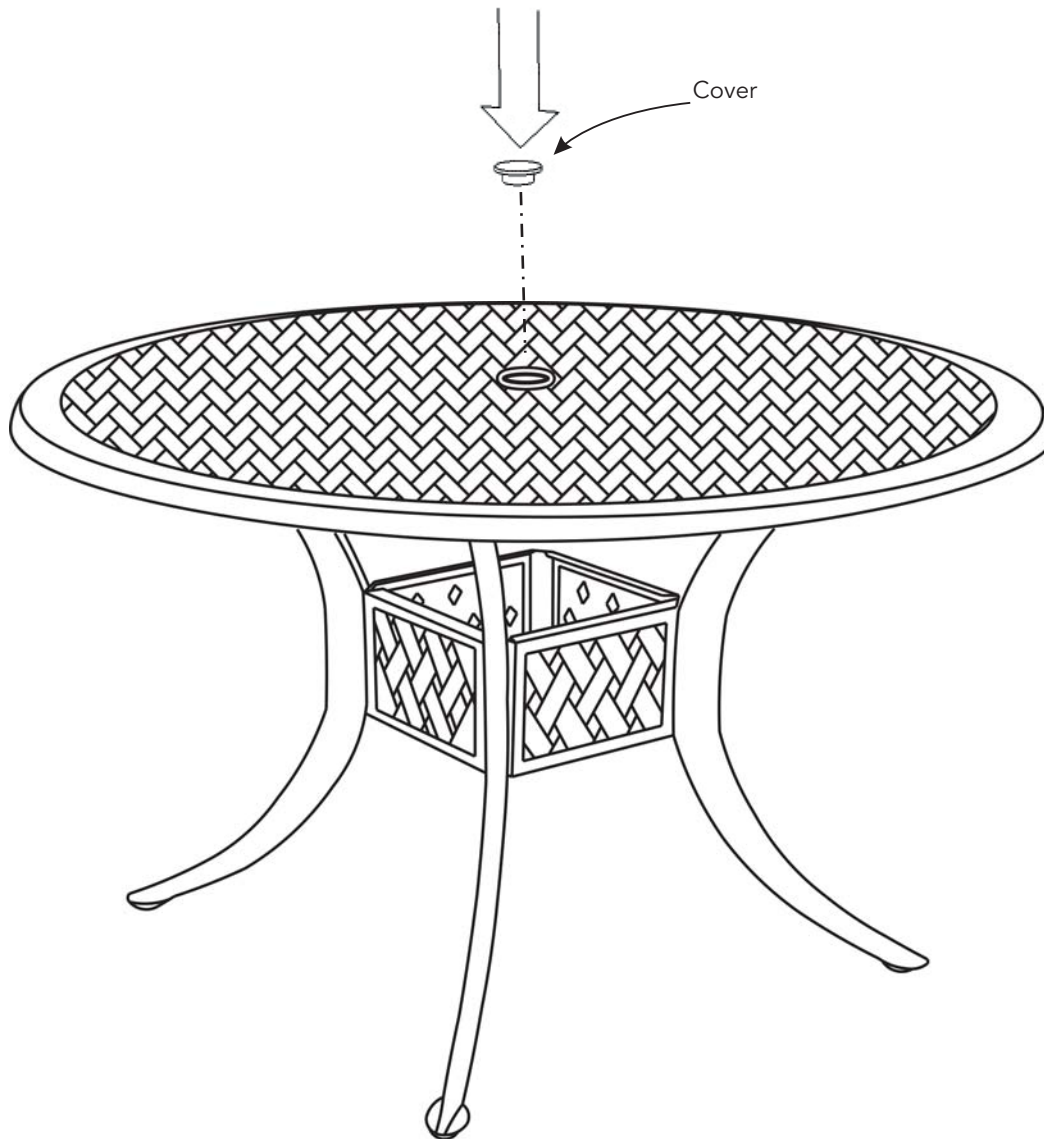


Figure 3

Assembly Instructions 3/3



STEP 2

Turn table over to its' upright position.

Cover umbrella hole with Cover.

Level table by adjusting the adjustable levelers on bottom of legs.
(See Figure 4)



Figure 4

CARE INSTRUCTIONS

NEVER

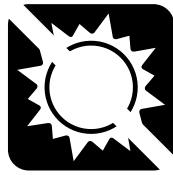
allow liquids to remain on furniture.
Absorption causes parts to warp
and split and finishes to delaminate.

NEVER

use glass cleaners on
finished furniture. Ammonia
chemically attacks the finish.



Do not use power tools
above 8 volts to assemble.
**PREVENT
CRACKING**



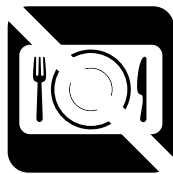
Do not place
in direct sunlight.
**PREVENT
FADING**



Do not write
directly on surface.
**PREVENT
MARKING**



Do not place hot
objects on surface.
**PREVENT
FINISH DAMAGE**



Do not use rubber
based placemats.
**PREVENT
DISCOLORING**



Do not use commercial
waxes and polishes.
**PREVENT
YELLOWING**

CLEAN

with a soft cloth moistened
in lukewarm soap and water.
Buff with a dry clean cloth.

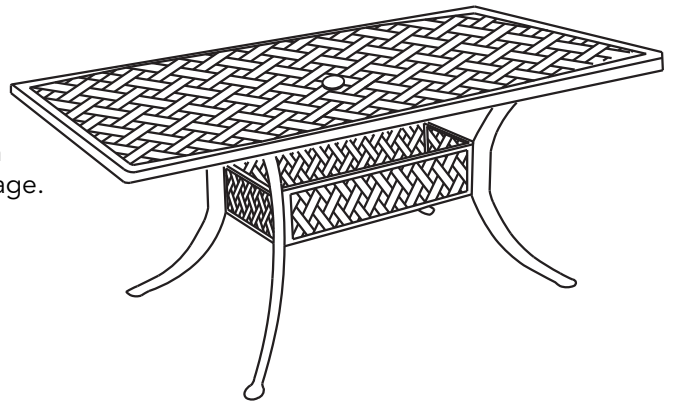


Home Styles will provide replacements free of charge for missing or damaged hardware or parts within 30 days of purchase. Digital images of the defective parts may be required. If the product was not purchased from an authorized retail affiliate, Home Styles is under no obligation to provide replacement parts. Parts are not available for fully assembled items nor are parts available for sale. Replacements for missing or damaged hardware or parts may be requested at:

www.homestyles-furniture.com/customer-service/replacement-parts

Home Styles Customer Service: www.homestyles-furniture.com,
servicedesk@homestyles-furniture.com, 888-680-7460, 877-831-0319

Dining Table



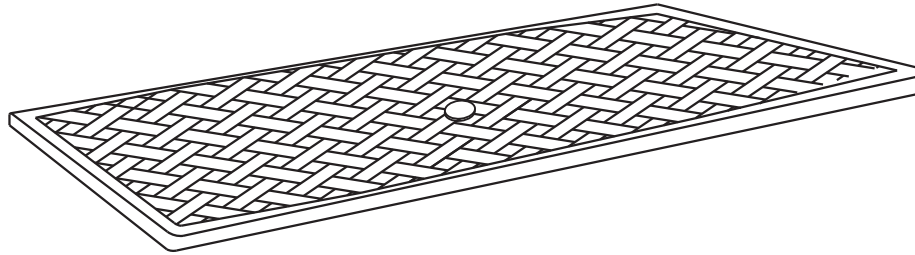
IMPORTANT

Carefully remove all the parts from the carton and place them individually on a soft cloth to prevent scratches or other damage.

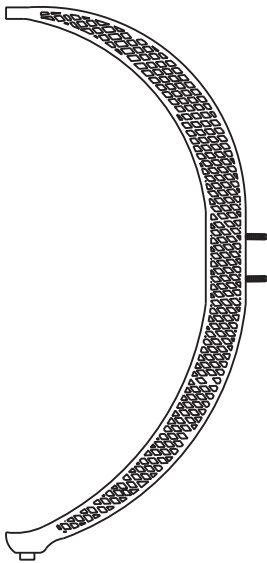
Carefully and strictly follow these assembly instructions to ensure a completed product as designed.

This product is made of aluminum. Do not use power tools above 8 volts to assemble and only tighten bolts until snug. Over tightening can damage the aluminum.

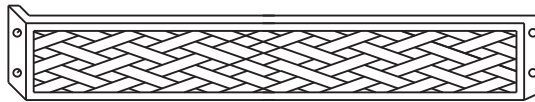
Part List



A.
Top
1 pc.



B.
Leg
4 pcs.



C.
Side Frame
2 pcs.



D.
Side Frame
2 pcs.

Hardware List



Wrench
1 pc.



Spring Washer
12 pcs. (+1 extra)



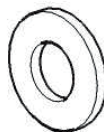
Nut
12 pcs. (+1 extra)



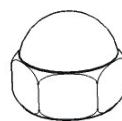
Cover
1 pc.



M8x40
Bolt
4 pcs. (+1 extra)



Flat Washer
12 pcs. (+1 extra)



Nut Cap
12 pcs. (+1 extra)

Tool(s) required for assembly: Slotted screwdriver, Level

Assembly Instructions 2/3

IMPORTANT

- Use a soft cloth between these parts and the floor.
- Do not use power tools above 8 volts to assemble.
- Do not tighten all the bolts until each part is properly assembled.
- The unit must be level to work properly. Use the included adjustable levelers to level.
- Keep Wrench as the bolts may need to be tightened in the future.

STEP 1

Attach Legs (B) to Side Frames (C) and Side Frames (D) with Flat Washers, Spring Washers and Nuts, tightening nuts only halfway. (See Figures 1 and 2)

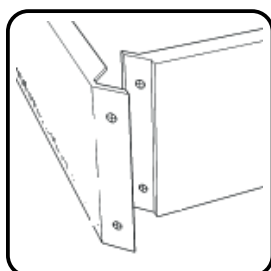
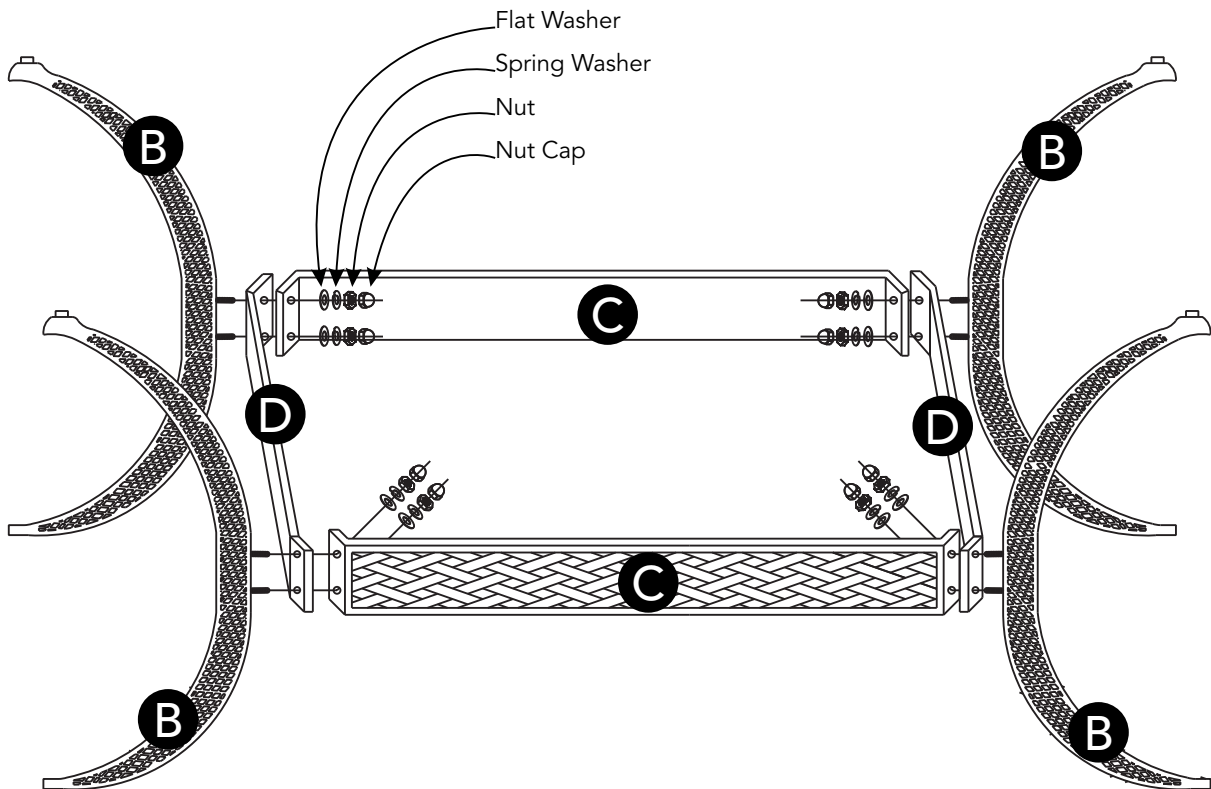


Figure 1

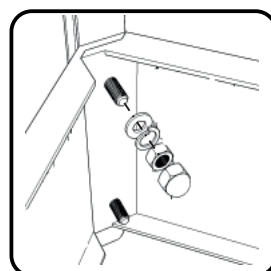
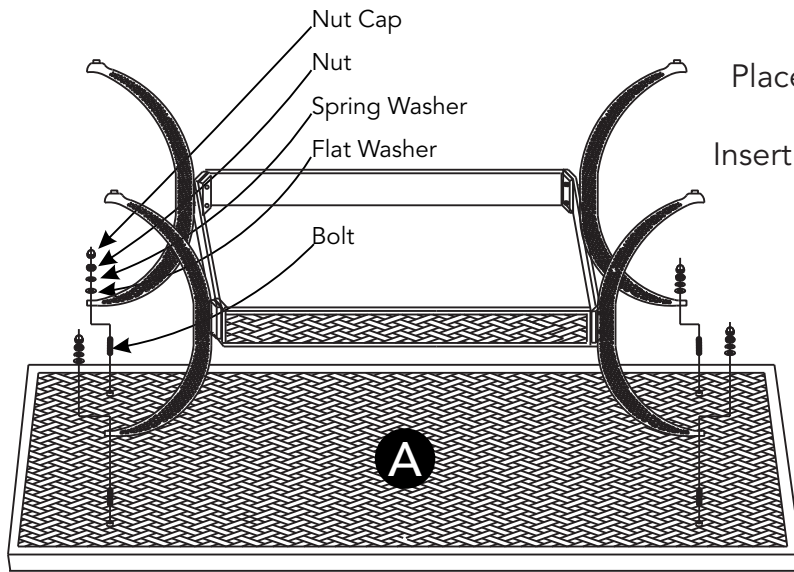


Figure 2

Assembly Instructions 3/3

STEP 2



Place Top (A) upside down on a soft cloth.

Insert Bolts into pre-drilled holes in Top (A), then tighten. (See Figure 3)

Attach unit to Top (A) with Flat Washers, Spring Washers and Nuts, tightening nuts only halfway.

Tighten all Nuts used in Steps 1 and 2.

Cover all Nuts with Nut Caps.

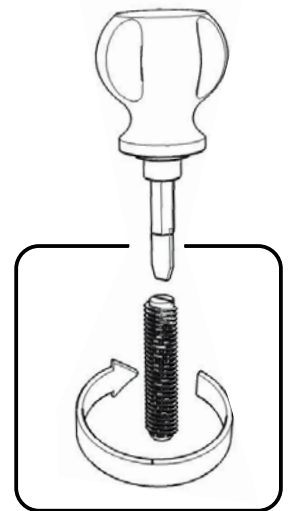
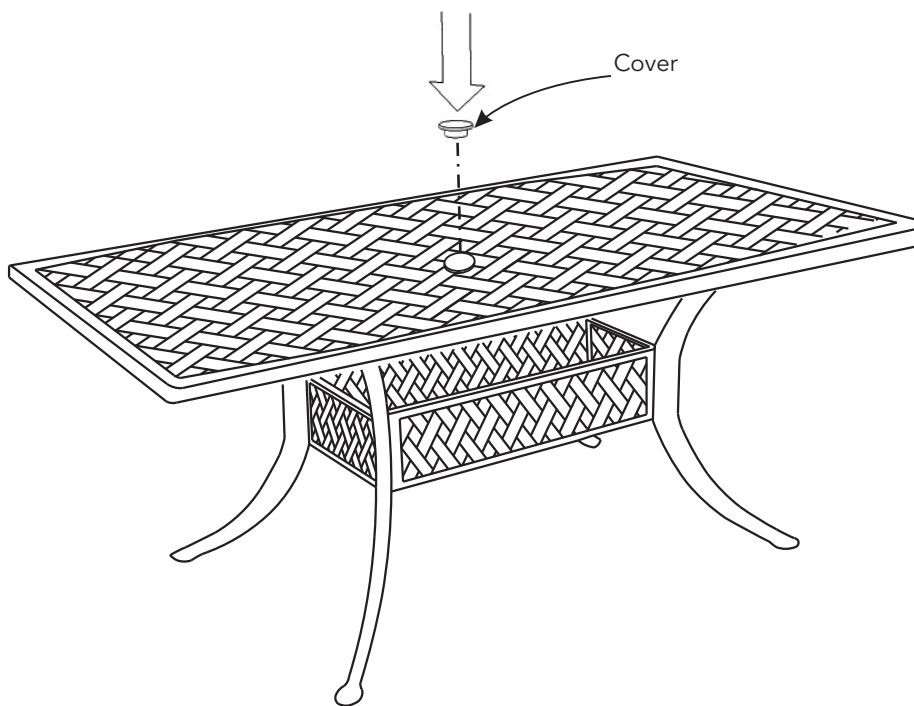


Figure 3

STEP 3

Turn table over to its' upright position.

Cover umbrella hole with Cover.

Level table by adjusting the adjustable levelers on bottom of legs. (See Figure 4)



Figure 4

CARE INSTRUCTIONS

NEVER

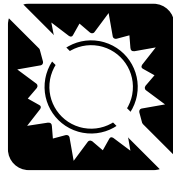
allow liquids to remain on furniture.
Absorption causes parts to warp
and split and finishes to delaminate.

NEVER

use glass cleaners on
finished furniture. Ammonia
chemically attacks the finish.



Do not use power tools
above 8 volts to assemble.
**PREVENT
CRACKING**



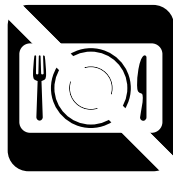
Do not place
in direct sunlight.
**PREVENT
FADING**



Do not write
directly on surface.
**PREVENT
MARKING**



Do not place hot
objects on surface.
**PREVENT
FINISH DAMAGE**



Do not use rubber
based placemats.
**PREVENT
DISCOLORING**



Do not use commercial
waxes and polishes.
**PREVENT
YELLOWING**

CLEAN

with a soft cloth moistened
in lukewarm soap and water.
Buff with a dry clean cloth.



Home Styles will provide replacements free of charge for missing or damaged hardware or parts within 30 days of purchase. Digital images of the defective parts may be required. If the product was not purchased from an authorized retail affiliate, Home Styles is under no obligation to provide replacement parts. Parts are not available for fully assembled items nor are parts available for sale. Replacements for missing or damaged hardware or parts may be requested at:

www.homestyles-furniture.com/customer-service/replacement-parts

Home Styles Customer Service: www.homestyles-furniture.com,
servicedesk@homestyles-furniture.com, 888-680-7460, 877-831-0319

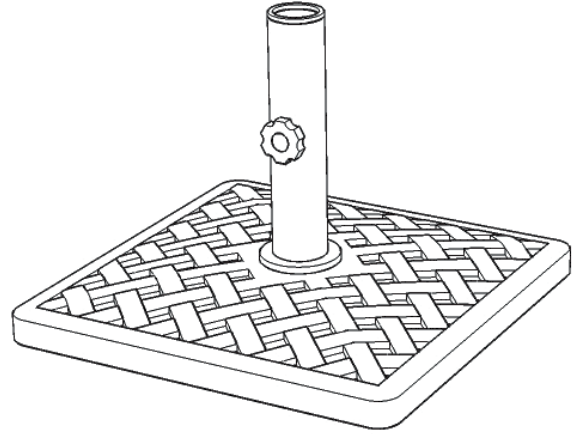
Umbrella Stand

IMPORTANT

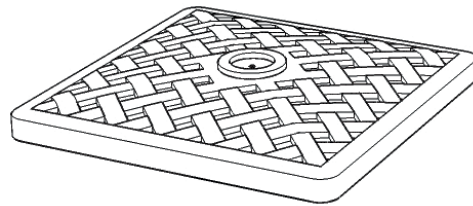
Carefully remove all the parts from the carton and place them individually on a soft cloth to prevent scratches or other damage.

Carefully and strictly follow these assembly instructions to ensure a completed product as designed.

This product is made of aluminum. Do not use power tools above 8 volts to assemble and only tighten bolts until snug. Over tightening can damage the aluminum.

**Part List**

A.
Top
1 pc.



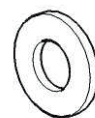
B.
Base
1 pc.

Hardware List

M12
Nut
1 pc.



Spring Washer
1 pc.



Flat Washer
1 pc.

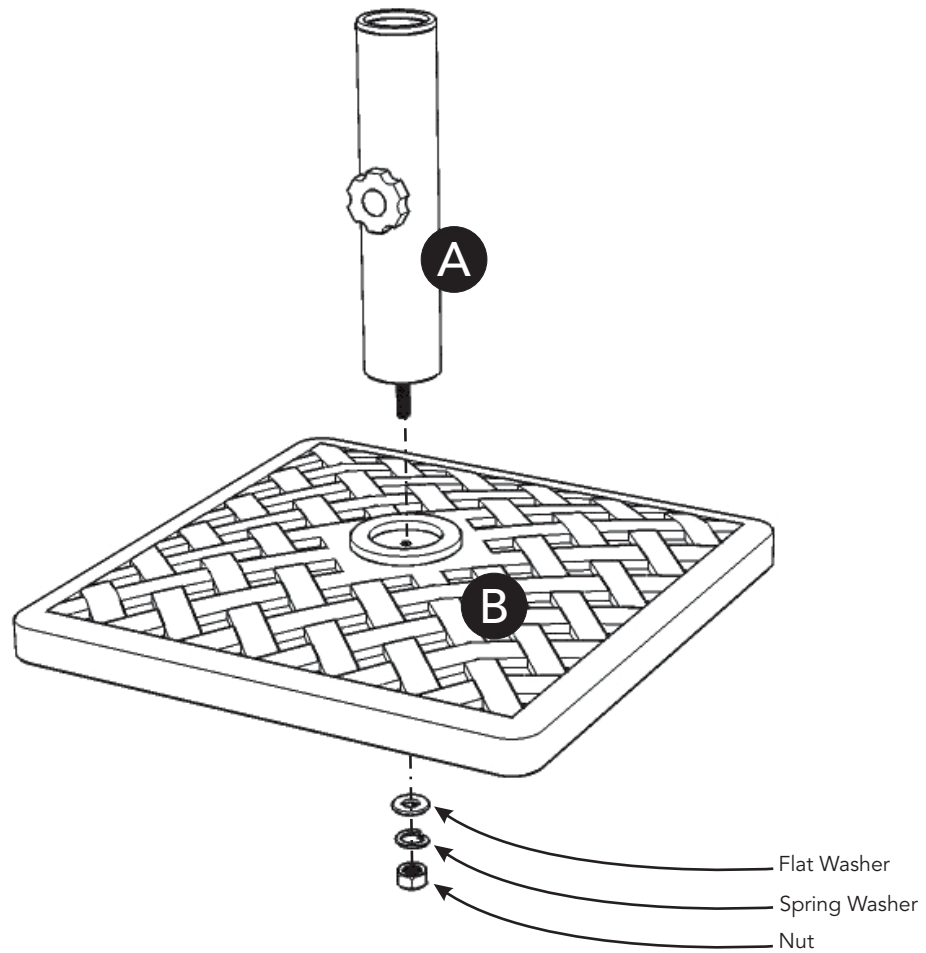
Tool(s) required for assembly: 12MM Wrench or Adjustable Wrench

Home Styles Customer Service: www.homestyles-furniture.com,
servicedesk@homestyles-furniture.com, 888-680-7460, 877-831-0319

Assembly Instructions 2/2

IMPORTANT

- Use a soft cloth between these parts and the floor.
- Do not use power tools above 8 volts to assemble.



STEP 1

Attach Top (A) to Base (B) with Flat Washer, Spring Washer and Nut.

CARE INSTRUCTIONS

NEVER

allow liquids to remain on furniture.
Absorption causes parts to warp
and split and finishes to delaminate.

NEVER

use glass cleaners on
finished furniture. Ammonia
chemically attacks the finish.



Do not use power tools
above 8 volts to assemble.

**PREVENT
CRACKING**



Do not place
in direct sunlight.

**PREVENT
FADING**



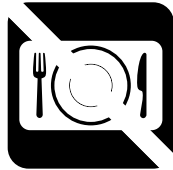
Do not write
directly on surface.

**PREVENT
MARKING**



Do not place hot
objects on surface.

**PREVENT
FINISH DAMAGE**



Do not use rubber
based placemats.

**PREVENT
DISCOLORING**



Do not use commercial
waxes and polishes.

**PREVENT
YELLOWING**

CLEAN

with a soft cloth moistened
in lukewarm soap and water.
Buff with a dry clean cloth.



Home Styles will provide replacements free of charge for missing or damaged hardware or parts within 30 days of purchase. Digital images of the defective parts may be required. If the product was not purchased from an authorized retail affiliate, Home Styles is under no obligation to provide replacement parts. Parts are not available for fully assembled items nor are parts available for sale. Replacements for missing or damaged hardware or parts may be requested at:

www.homestyles-furniture.com/customer-service/replacement-parts

Home Styles Customer Service: www.homestyles-furniture.com,
servicedesk@homestyles-furniture.com, 888-680-7460, 877-831-0319

Accent Table



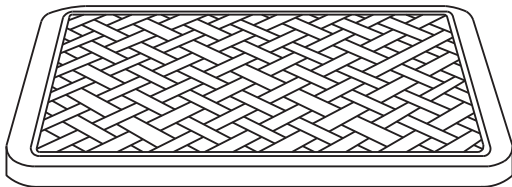
IMPORTANT

Carefully remove all the parts from the carton and place them individually on a soft cloth to prevent scratches or other damage.

Carefully and strictly follow these assembly instructions to ensure a completed product as designed.

This product is made of aluminum. Do not use power tools above 8 volts to assemble and only tighten bolts until snug. Over tightening can damage the aluminum.

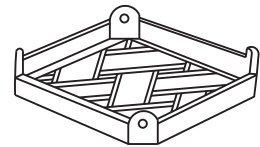
Part List



A.
Top
1 pc.



B.
Leg
4 pcs.



C.
Shelf
1 pc.

Hardware List



Wrench
1 pc.



Spring Washer
8 pcs. (+1 extra)



Nut
8 pcs. (+1 extra)



M8x40
Bolt
4 pcs. (+1 extra)



Flat Washer
8 pcs. (+1 extra)



Nut Cap
8 pcs. (+1 extra)

Tool(s) required for assembly: Slotted screwdriver, Level

Assembly Instructions 2/3

IMPORTANT

- Use a soft cloth between these parts and the floor.
- Do not use power tools above 8 volts to assemble.
- Do not tighten all the bolts until each part is properly assembled.
- The unit must be level to work properly. Use the included adjustable levelers to level.
- Keep Wrench as the nuts may need to be tightened in the future.

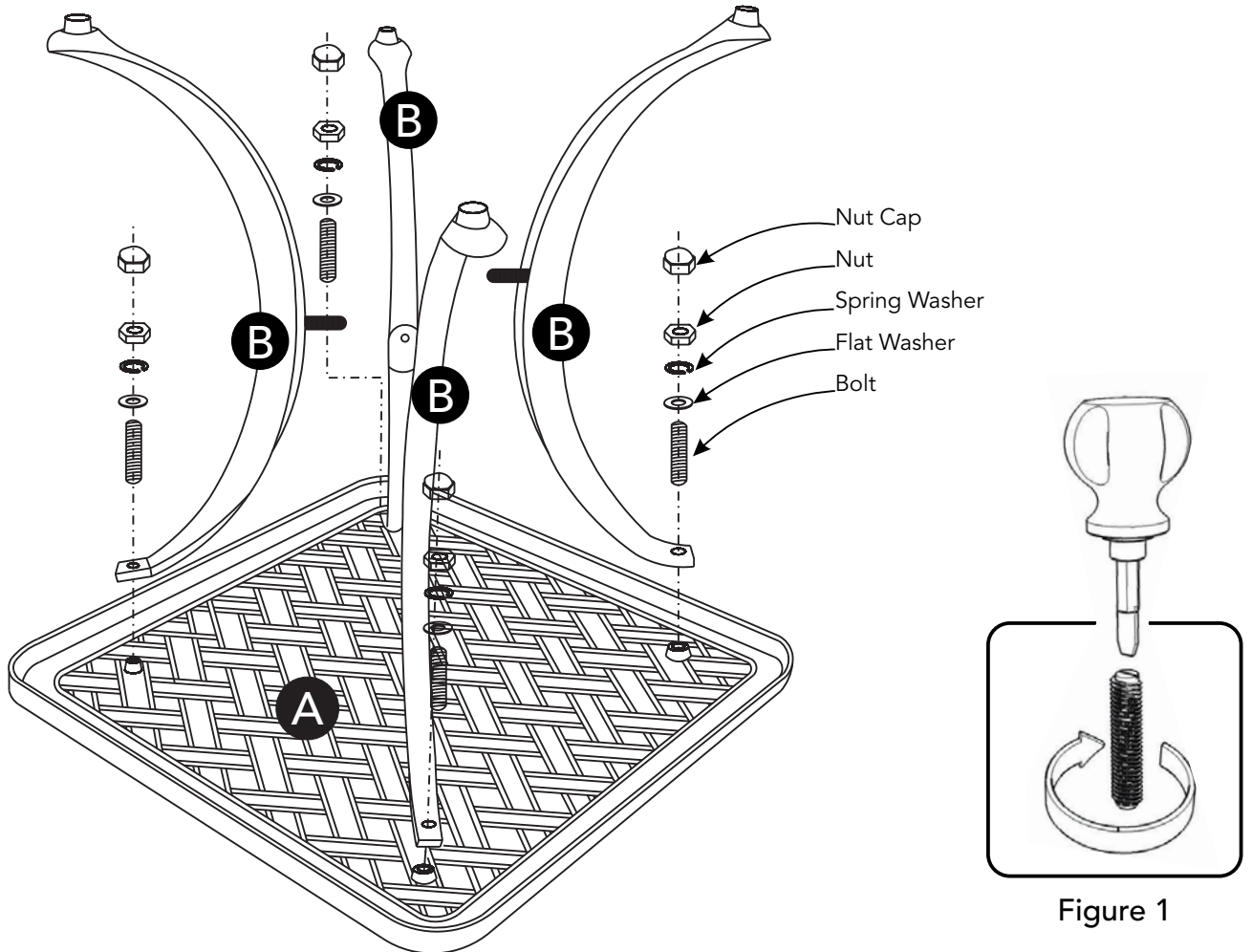


Figure 1

STEP 1

Place Top (A) upside down on a soft cloth.

Insert Bolts into pre-drilled holes in Top (A), then tighten.

(See Figure 1)

Attach Legs (B) to Top (A) with Flat Washers, Spring Washers and Nuts, tightening nuts only halfway with Wrench.

(See Figure 2)

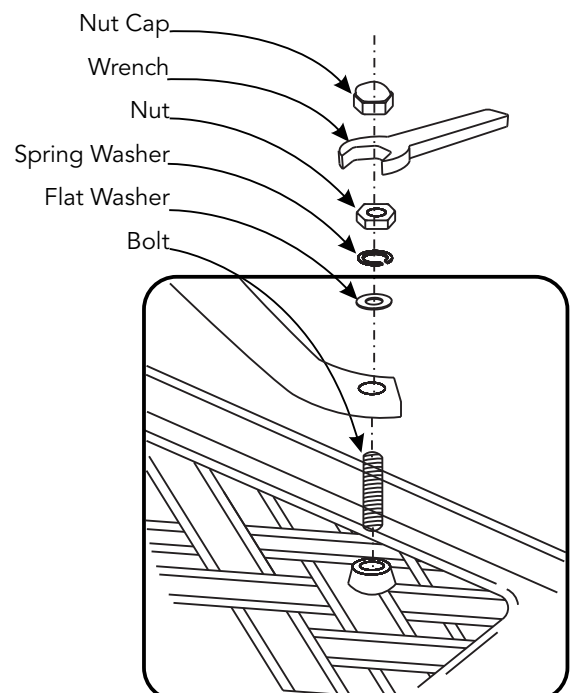


Figure 2

Assembly Instructions 3/3

STEP 2

Attach Shelf (C) to unit with Flat Washers, Spring Washers and Nuts, tightening nuts only halfway with Wrench. (See Figure 3)

Tighten all Nuts used in Steps 1 and 2.

Cover all Nuts with Nut Caps.

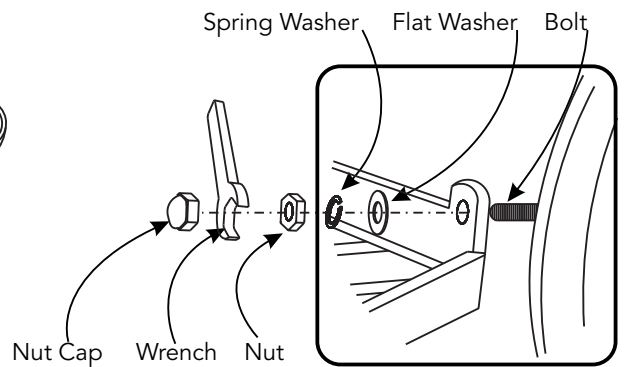
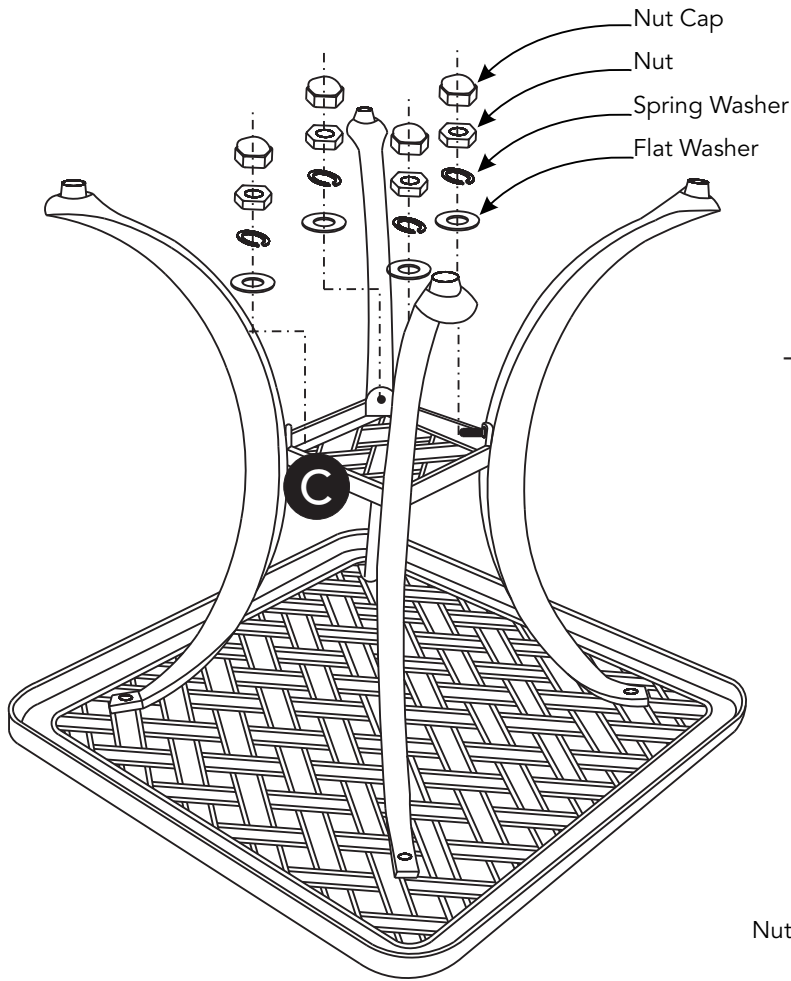


Figure 3

STEP 3

Turn table over to its' upright position.

Level table by adjusting the adjustable levelers on bottom of legs. (See Figure 4)

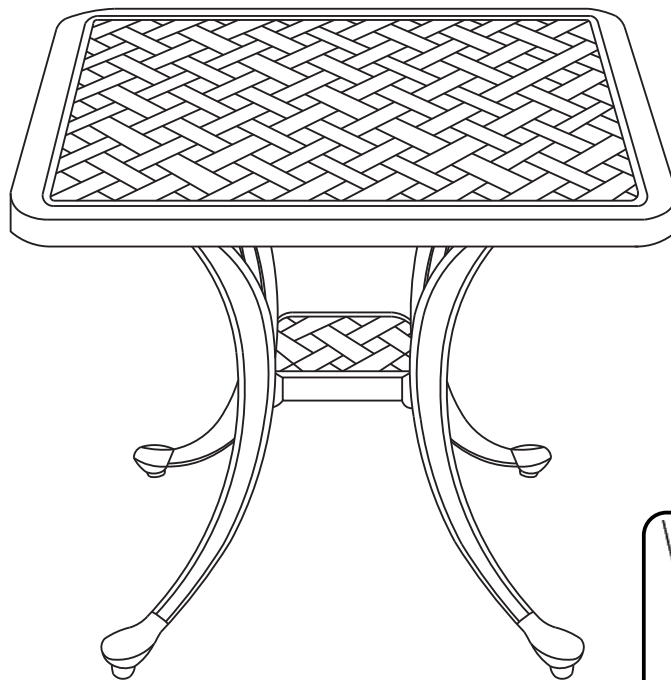


Figure 4

CARE INSTRUCTIONS

NEVER

allow liquids to remain on furniture.
Absorption causes parts to warp
and split and finishes to delaminate.

NEVER

use glass cleaners on
finished furniture. Ammonia
chemically attacks the finish.



Do not use power tools
above 8 volts to assemble.
**PREVENT
CRACKING**



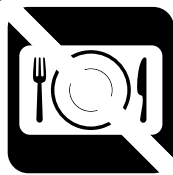
Do not place
in direct sunlight.
**PREVENT
FADING**



Do not write
directly on surface.
**PREVENT
MARKING**



Do not place hot
objects on surface.
**PREVENT
FINISH DAMAGE**



Do not use rubber
based placemats.
**PREVENT
DISCOLORING**



Do not use commercial
waxes and polishes.
**PREVENT
YELLOWING**

CLEAN

with a soft cloth moistened
in lukewarm soap and water.
Buff with a dry clean cloth.



Home Styles will provide replacements free of charge for missing or damaged hardware or parts within 30 days of purchase. Digital images of the defective parts may be required. If the product was not purchased from an authorized retail affiliate, Home Styles is under no obligation to provide replacement parts. Parts are not available for fully assembled items nor are parts available for sale. Replacements for missing or damaged hardware or parts may be requested at:

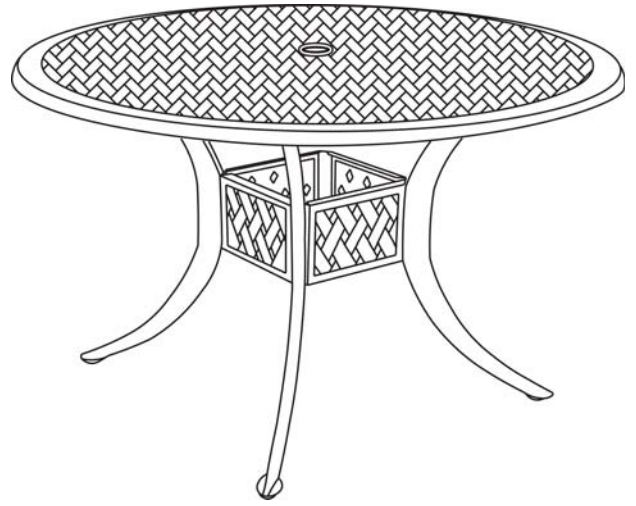
www.homestyles-furniture.com/customer-service/replacement-parts

Home Styles Customer Service: www.homestyles-furniture.com,
servicedesk@homestyles-furniture.com, 888-680-7460, 877-831-0319

homestyles®

20 05550 0030

Dining Table



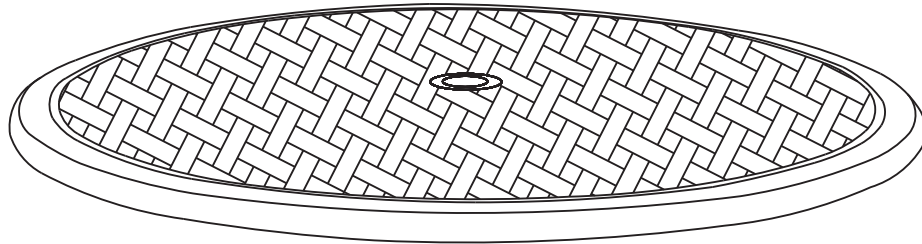
IMPORTANT

Carefully remove all the parts from the carton and place them individually on a soft cloth to prevent scratches or other damage.

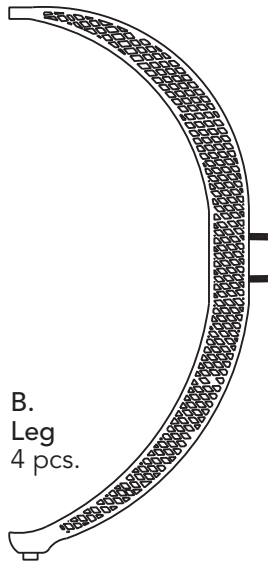
Carefully and strictly follow these assembly instructions to ensure a completed product as designed.

This product is made of aluminum. Do not use power tools above 8 volts to assemble and only tighten bolts until snug. Over tightening can damage the aluminum.

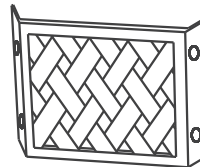
Part List



A.
Top
1 pc.



B.
Leg
4 pcs.



C.
Side Frame
4 pcs.

Hardware List



Wrench
1 pc.



Spring Washer
12 pcs. (+1 extra)



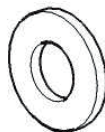
Nut
12 pcs. (+1 extra)



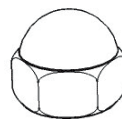
Cover
1 pc.



M8x40
Bolt
4 pcs. (+1 extra)



Flat Washer
12 pcs. (+1 extra)



Nut Cap
12 pcs. (+1 extra)

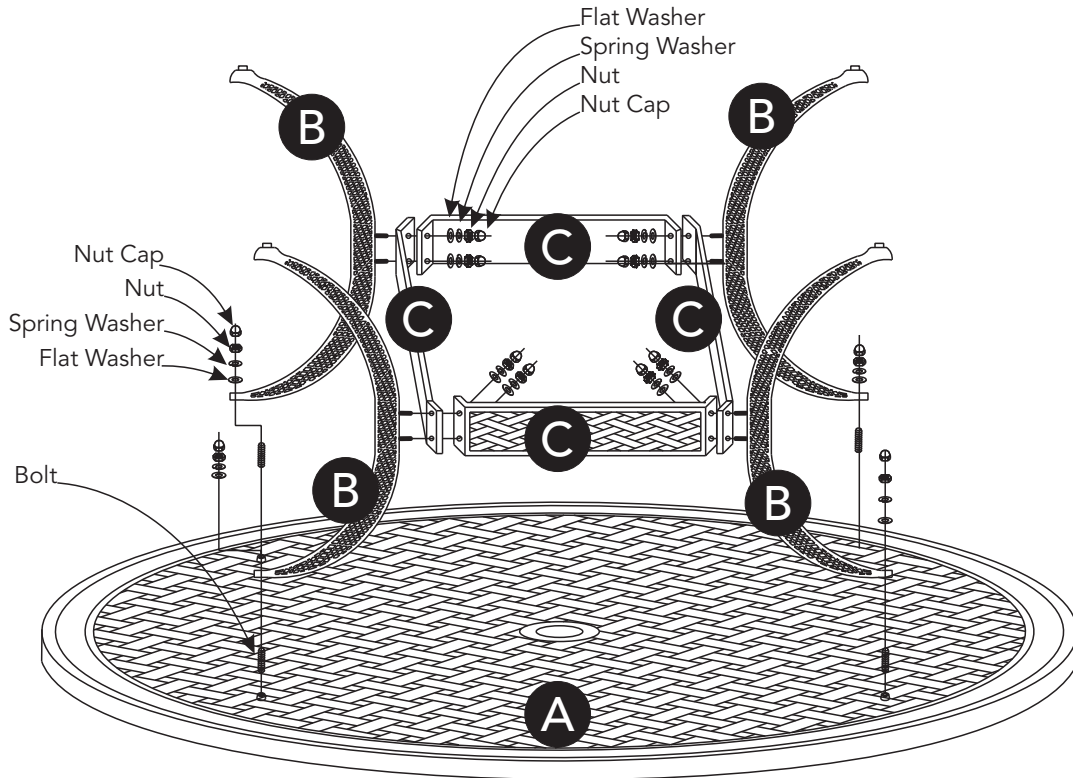
Tool(s) required for assembly: Slotted screwdriver, Level

Home Styles Customer Service: www.homestyles-furniture.com,
servicedesk@homestyles-furniture.com, 888-680-7460, 877-831-0319

Assembly Instructions 2/3

IMPORTANT

- Use a soft cloth between these parts and the floor.
- Do not use power tools above 8 volts to assemble.
- Do not tighten all the bolts until each part is properly assembled.
- The unit must be level to work properly. Use the included adjustable levelers to level.
- Keep Wrench as the nuts may need to be tightened in the future.



STEP 1

Attach Legs (B) to Side Frames (C) with Flat Washers, Spring Washers and Nuts, tightening nuts only halfway. (See Figures 1 and 2)

Place Top (A) upside down on a soft cloth.

Insert Bolts into pre-drilled holes in Top (A), then tighten. (See Figure 3)

Attach unit to Top (A) with Flat Washers, Spring Washers and Nuts, tightening nuts only halfway.

Tighten all Nuts.

Cover all Nuts with Nut Caps.

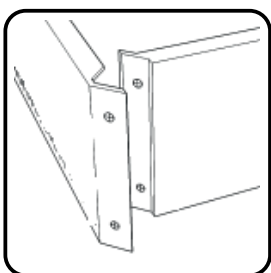


Figure 1

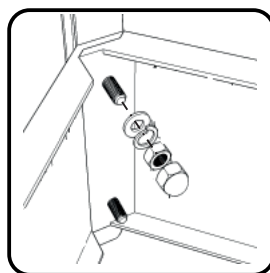


Figure 2

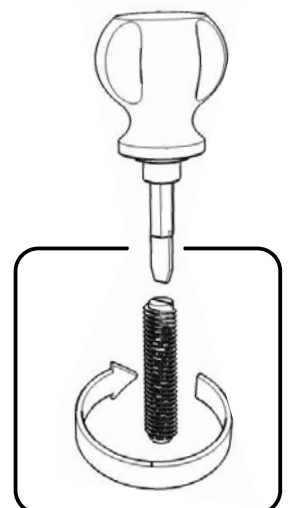
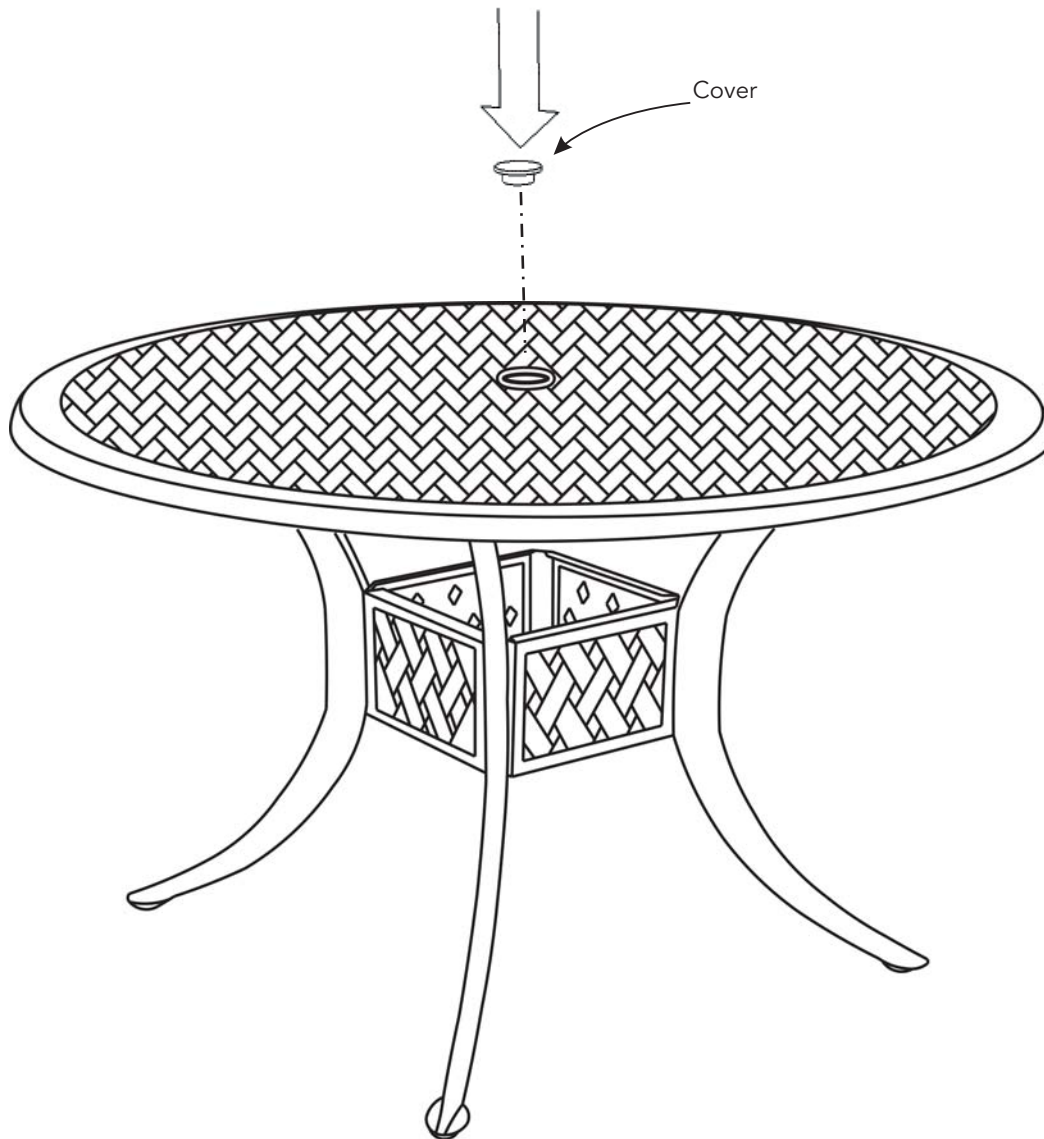


Figure 3

Assembly Instructions 3/3



STEP 2

Turn table over to its' upright position.

Cover umbrella hole with Cover.

Level table by adjusting the adjustable levelers on bottom of legs.
(See Figure 4)



Figure 4

CARE INSTRUCTIONS

NEVER

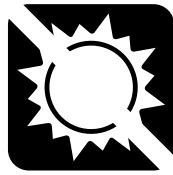
allow liquids to remain on furniture.
Absorption causes parts to warp
and split and finishes to delaminate.

NEVER

use glass cleaners on
finished furniture. Ammonia
chemically attacks the finish.



Do not use power tools
above 8 volts to assemble.
**PREVENT
CRACKING**



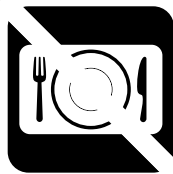
Do not place
in direct sunlight.
**PREVENT
FADING**



Do not write
directly on surface.
**PREVENT
MARKING**



Do not place hot
objects on surface.
**PREVENT
FINISH DAMAGE**



Do not use rubber
based placemats.
**PREVENT
DISCOLORING**



Do not use commercial
waxes and polishes.
**PREVENT
YELLOWING**

CLEAN

with a soft cloth moistened
in lukewarm soap and water.
Buff with a dry clean cloth.



Home Styles will provide replacements free of charge for missing or damaged hardware or parts within 30 days of purchase. Digital images of the defective parts may be required. If the product was not purchased from an authorized retail affiliate, Home Styles is under no obligation to provide replacement parts. Parts are not available for fully assembled items nor are parts available for sale. Replacements for missing or damaged hardware or parts may be requested at:

www.homestyles-furniture.com/customer-service/replacement-parts

Home Styles Customer Service: www.homestyles-furniture.com,
servicedesk@homestyles-furniture.com, 888-680-7460, 877-831-0319

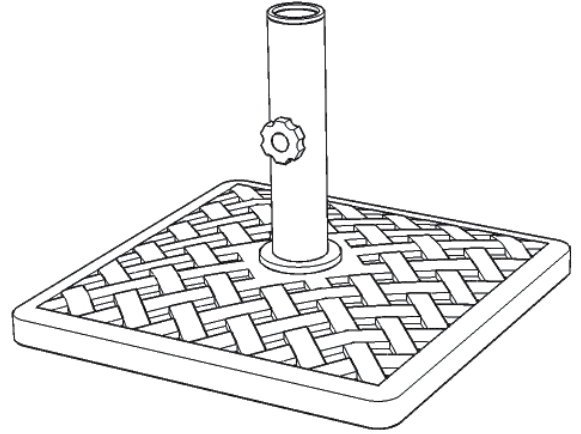
Umbrella Stand

IMPORTANT

Carefully remove all the parts from the carton and place them individually on a soft cloth to prevent scratches or other damage.

Carefully and strictly follow these assembly instructions to ensure a completed product as designed.

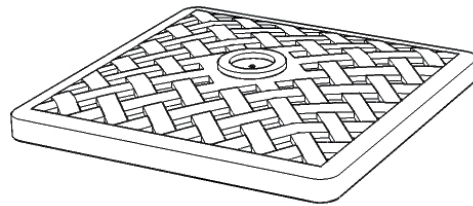
This product is made of aluminum. Do not use power tools above 8 volts to assemble and only tighten bolts until snug. Over tightening can damage the aluminum.



Part List



A.
Top
1 pc.



B.
Base
1 pc.

Hardware List



M12
Nut
1 pc.



Spring Washer
1 pc.



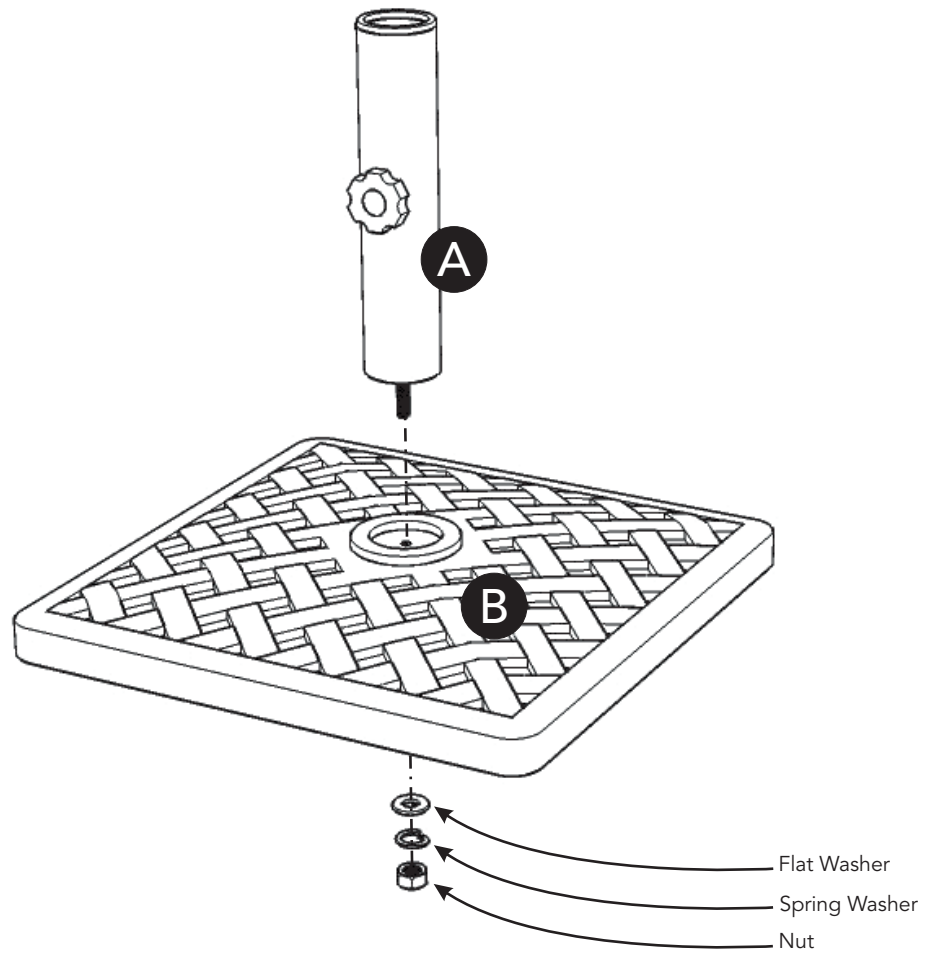
Flat Washer
1 pc.

Tool(s) required for assembly: 12MM Wrench or Adjustable Wrench

Assembly Instructions 2/2

IMPORTANT

- Use a soft cloth between these parts and the floor.
- Do not use power tools above 8 volts to assemble.



STEP 1

Attach Top (A) to Base (B) with Flat Washer, Spring Washer and Nut.

CARE INSTRUCTIONS

NEVER

allow liquids to remain on furniture.
Absorption causes parts to warp
and split and finishes to delaminate.

NEVER

use glass cleaners on
finished furniture. Ammonia
chemically attacks the finish.



Do not use power tools
above 8 volts to assemble.
**PREVENT
CRACKING**



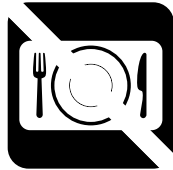
Do not place
in direct sunlight.
**PREVENT
FADING**



Do not write
directly on surface.
**PREVENT
MARKING**



Do not place hot
objects on surface.
**PREVENT
FINISH DAMAGE**



Do not use rubber
based placemats.
**PREVENT
DISCOLORING**



Do not use commercial
waxes and polishes.
**PREVENT
YELLOWING**

CLEAN

with a soft cloth moistened
in lukewarm soap and water.
Buff with a dry clean cloth.



Home Styles will provide replacements free of charge for missing or damaged hardware or parts within 30 days of purchase. Digital images of the defective parts may be required. If the product was not purchased from an authorized retail affiliate, Home Styles is under no obligation to provide replacement parts. Parts are not available for fully assembled items nor are parts available for sale. Replacements for missing or damaged hardware or parts may be requested at:

www.homestyles-furniture.com/customer-service/replacement-parts

Home Styles Customer Service: www.homestyles-furniture.com,
servicedesk@homestyles-furniture.com, 888-680-7460, 877-831-0319

homestyles[®]

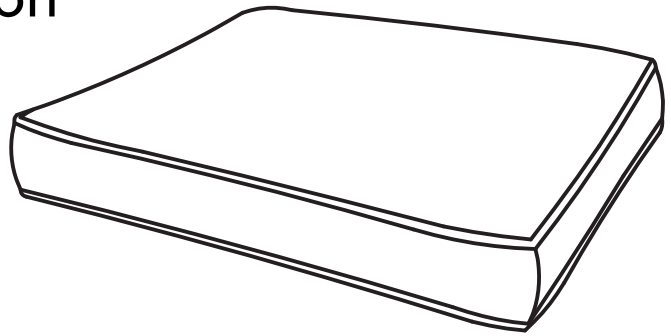
20 05550 0CUS

Seat Cushion

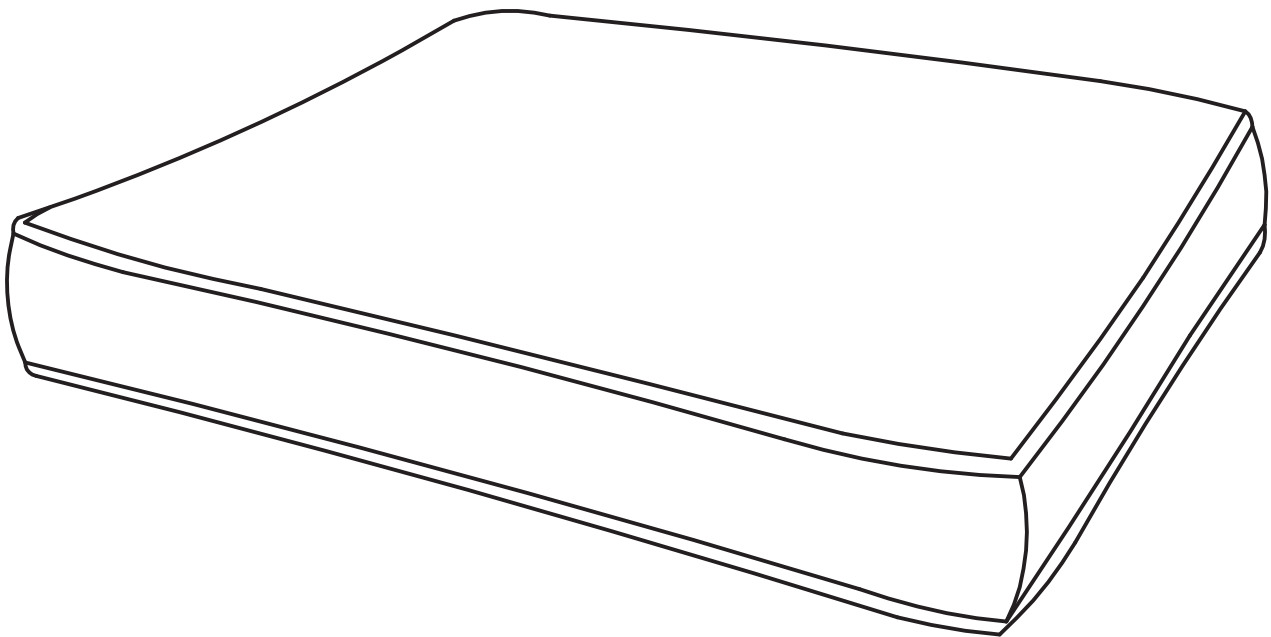
IMPORTANT

Carefully remove all the parts from the carton and place them individually on a soft cloth to prevent scratches or other damage.

Carefully and strictly follow these assembly instructions to ensure a completed product as designed.



Part List



Seat Cushion
1 pc.