

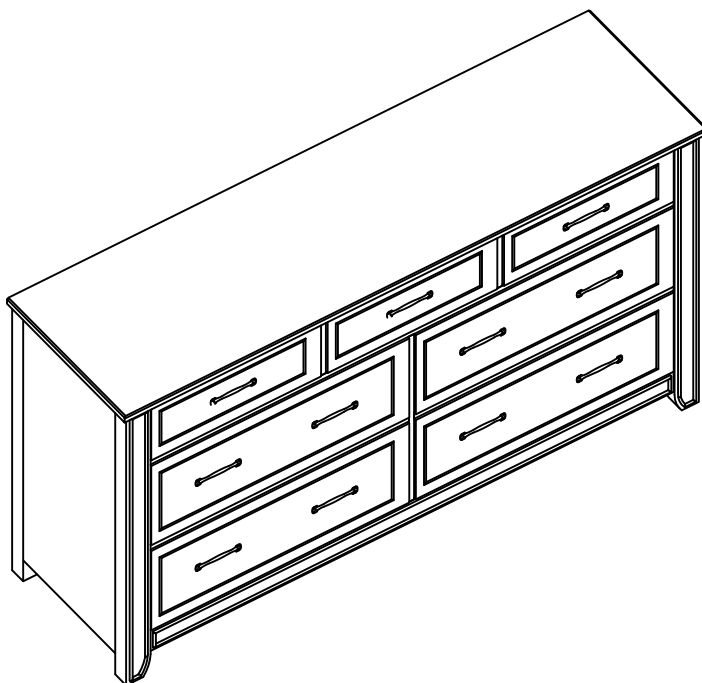
HOME

DECORATORS
COLLECTION

Model #BF-25734-WA
Item #1004019400

USE AND CARE GUIDE

THD PRODUCT NAME: 7 DRAWER DRESSER



Questions, problems, missing part? Before returning to the store,
call Home Decorators Collection Customer Service
8 a.m.-7p.m., EST, Monday-Friday, 9 a.m.- p.m., EST, Saturday

1-800-998-7021

HOMEDEPOT.COM/HOMEDECORATORS

THANK YOU

We appreciate the trust and confidence you have placed in Home Decorators Collection through the purchase of this dresser. We strive to continually create quality products designed to enhance your home. Visit us to see our full line of products available for your home.

improvement needs. Thank you for choosing Home Decorators Collection!

Table of Contents

Table of Contents.....	2	Assembly.....	6
Safety Information.....	2	Installation.....	14
Warranty.....	2	Maintenance.....	15
What is Covered.....	2	Care and Cleaning.....	15
What is Not Covered.....	2		
Pre-Assembly.....	3		
Planning Assembly.....	3		
Tools Required.....	3		
Hardware included.....	4		
Package contents.....	5		

Safety Information

Read and understand these instructions before attempting to install or use this product.



CAUTION: Use caution when lifting heavy objects. Lifting heavy objects improperly could cause serious injury.



NOTE: Handle with care. Do not drop or handle roughly, as this could damage the linen cabinet.

Warranty

3 YEAR WARRANTY

WHAT IS COVERED

We guarantee this product to be free of manufacturing defects to the original purchaser for one year.

WHAT IS NOT COVERED

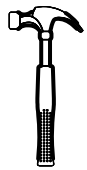
This warranty does not cover commercial use, acts of nature, and abusive use.

Pre-Assembly

PLANNING ASSEMBLY

Check the product for damage before installation. If any part of the product is missing or damaged, contact the Customer Service Team at 1-800-998-7021.

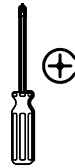
TOOLS REQUIRED



Hammer



Safety goggles



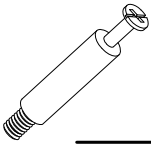
Phillips screwdriver

Pre-Assembly

HARDWARE INCLUDED



NOTE: Hardware not shown to actual size.



_____ A



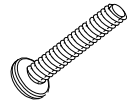
_____ B



_____ C



_____ D



_____ E



_____ F



_____ G



_____ H



_____ I



_____ J



_____ K



_____ L



_____ M



_____ N

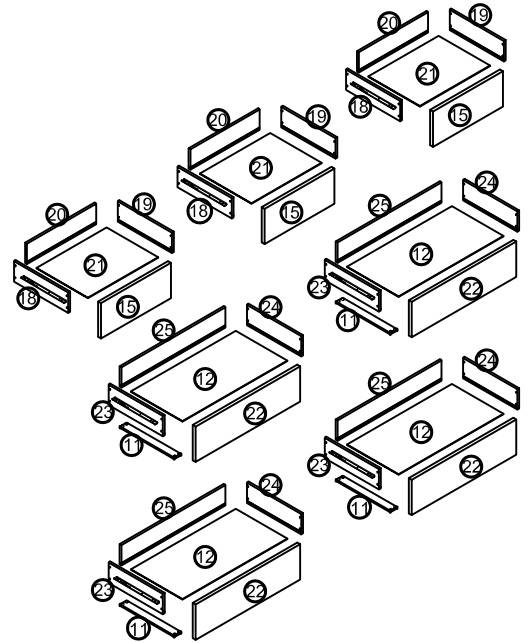
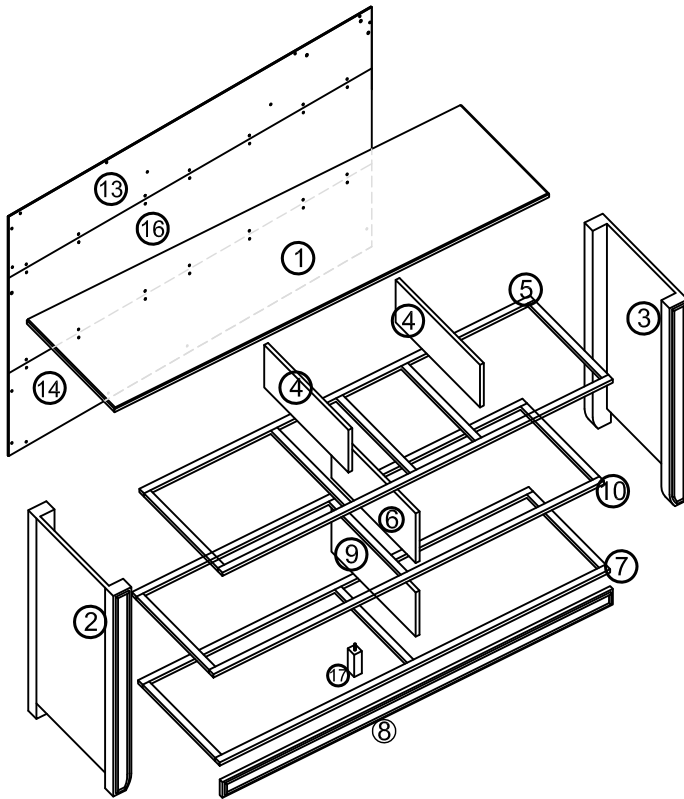


_____ O

PART	DESCRIPTION	QUANTITY
A	CAM-BOLT	22
B	CAM-LOCK	22
C	SCREW	72
D	HANDLE	11
E	BOLT	12
F	CAM-TOOL	1
G	SCREW	66
H	ALLEN WENCH	1
I	PLASTIC BELT	2
J	HOOK	4
K	SCREW	4
L	ANCHOR	4
M	SCREW	22
N	BOLT	2
O	DOWEL	2

Pre-Assembly

PACKAGE CONTENTS



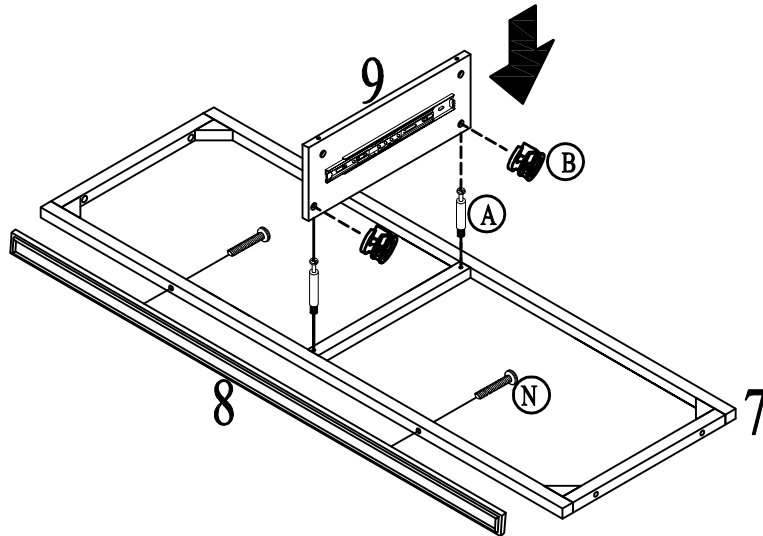
Part	DESCRIPTION	Quantity
1	TOP PANEL	1
2	LEFT SIDE PANEL	1
3	RIGHT SIDE PANEL	1
4	UP STAND PANEL	2
5	UP ACROSS FRAME	1
6	DOWN STAND PANEL	1
7	DOWN ACROSS FRAME	1
8	MOUNTING PLATE	1
9	DOWN STAND PANEL	1
10	DOWN ACROSS FRAME	1
11	DRAWER SUPPORT PANEL	4
12	LARGE DRAWER BOTTOM PANEL	4
13	UP BACK PANEL	1

Part	DESCRIPTION	Quantity
14	DOWN BACK PANEL	1
15	SMALL DRAWER LEFT FRONT PANEL	3
16	MIDDLE BACK PANEL	1
17	FOOT	1
18	SMALL DRAWER LEFT SIDE PANEL	3
19	SMALL DRAWER RIGHT SIDE PANEL	3
20	SMALL DRAWER BACK PANEL	3
21	SMALL DRAWER BOTTOM PANEL	3
22	LARGE DRAWER LEFT FRONT PANEL	4
23	LARGE DRAWER LEFT SIDE PANEL	4
24	LARGE DRAWER RIGHT SIDE PANEL	4
25	LARGE DRAWER BACK PANEL	4

Assembly

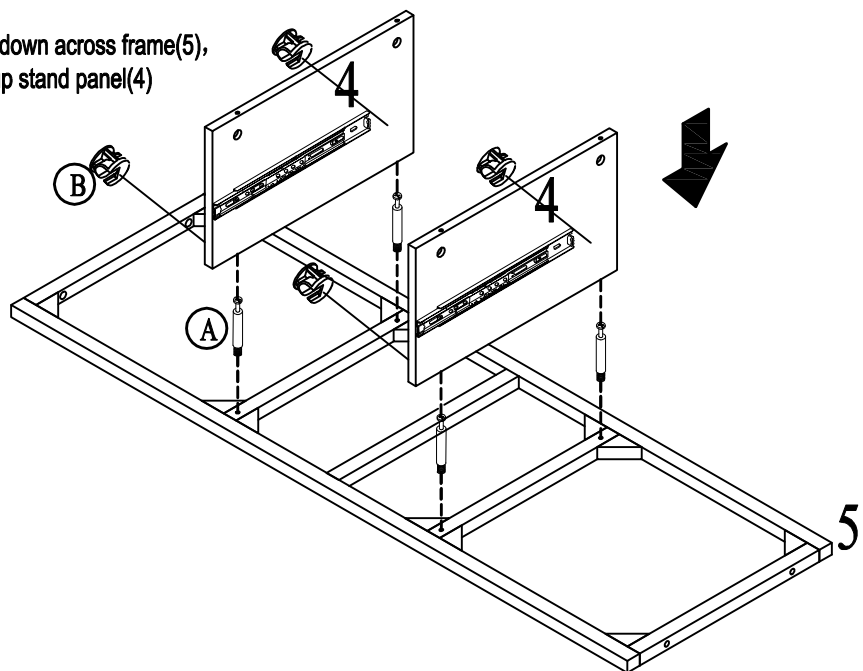
1 Assemble down across frame.

- Rotate 2 cam-bolts(A) into the holes in the down across frame(7),
Place 2 cam-bolts(A) into the holes in the down stand panel(9) and attach using 2 cam-locks(B).
- Attach the mounting plate (8) to down across frame(7) using 2 bolts(N).



2 Assemble up across frame.

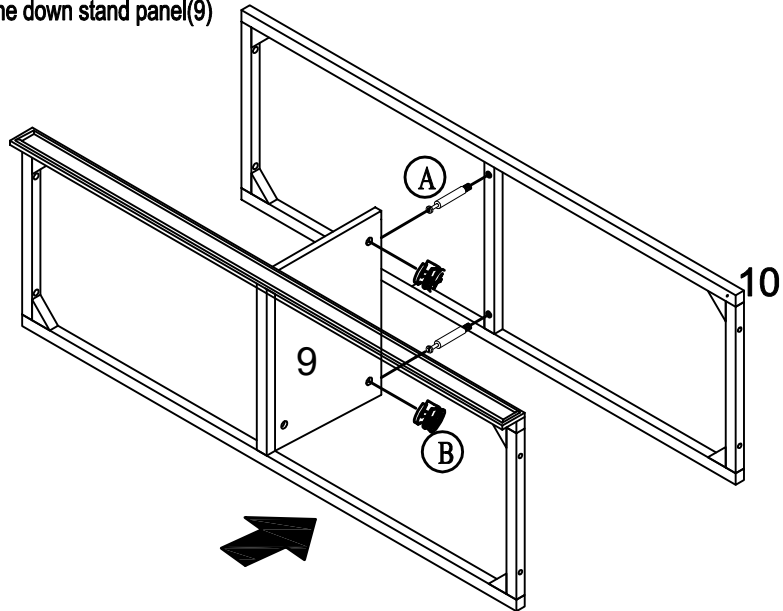
- Rotate 4 cam-bolts(A) into the holes in the down across frame(5),
Place 4 cam-bolts(A) into the holes in the up stand panel(4)
and attach using 4 cam-locks(B).



Assembly

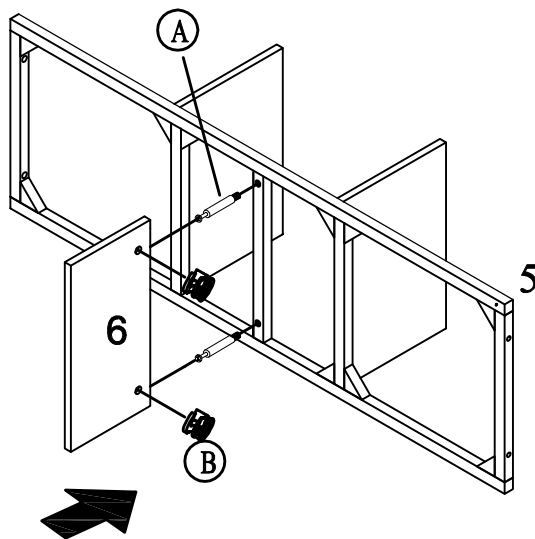
3 Assemble down across frame.

- Rotate 2 cam-bolts(A) into the holes in the down across frame(10), Place 2 cam-bolts(A) into the holes in the down stand panel(9) and attach using 2 cam-locks(B).



4 Assemble down stand panel.

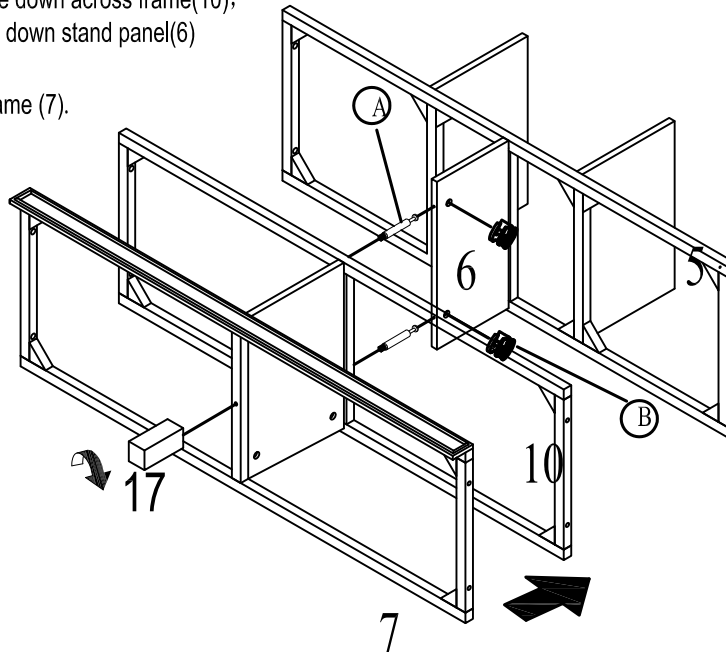
- Rotate 2 cam-bolts(A) into the holes in the down across frame(5), Place 2 cam-bolts(A) into the holes in the down stand panel(6) and attach using 2 cam-locks(B).



Assembly

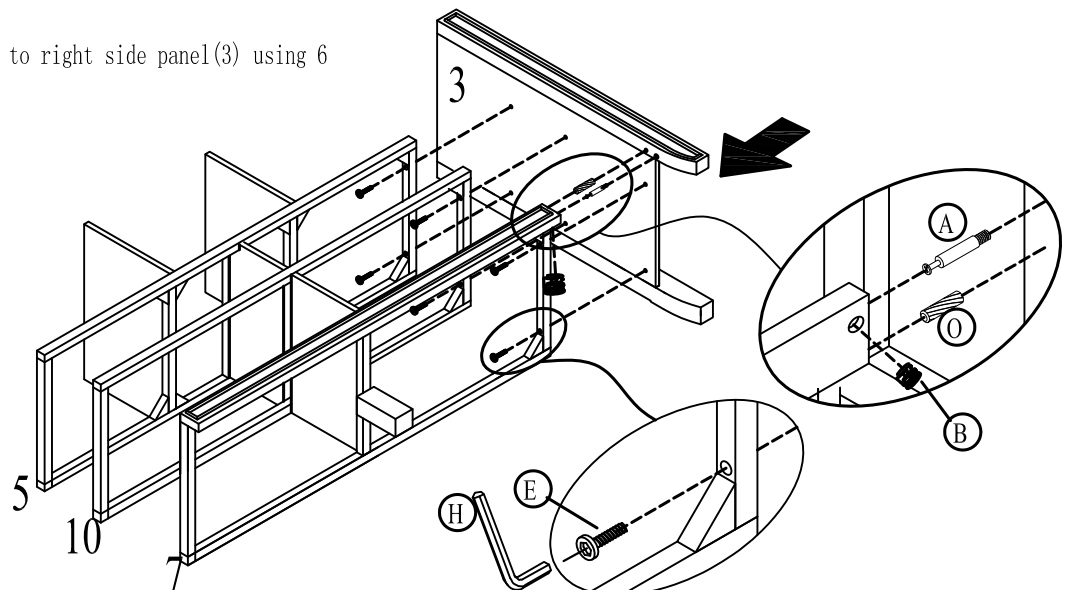
5 Assemble down across frame.

- Rotate 2 cam-bolts(A) into the holes in the down across frame(10), Place 2 cam-bolts(A) into the holes in the down stand panel(6) and attach using 2 cam-locks(B).
- Twist the foot (17) on the down across frame (7).



6 Assemble right side panel.

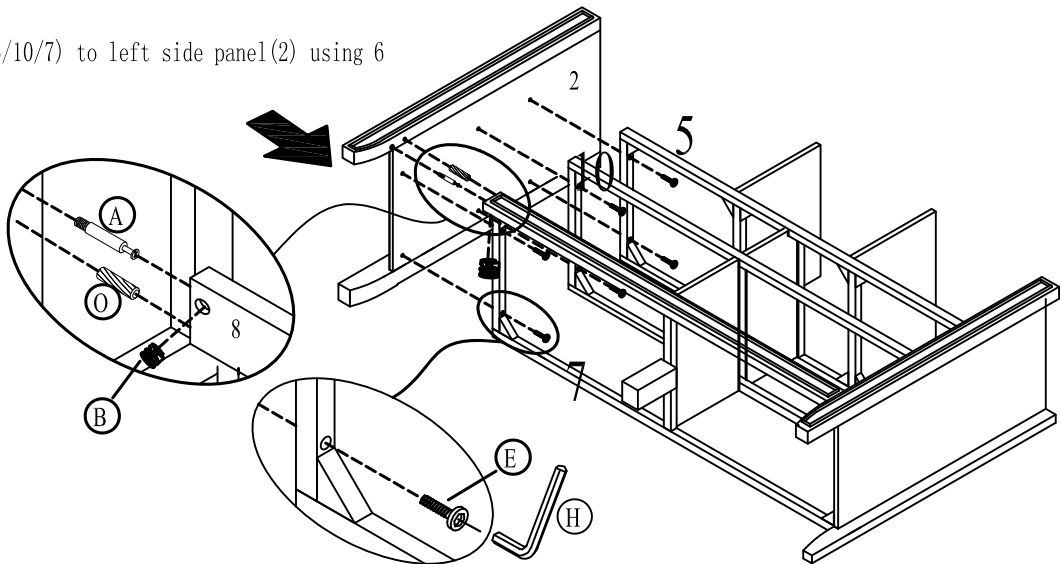
- Rotate 1 cam-bolts(A) and 1 dowel(O) into the holes in the right side panel(3).
- Place 1 cam-bolts(A) into the holes in the panel(8) and attach using 1 cam-locks(B).
- Attach the frame(5/10/7) to right side panel(3) using 6 bolts(E).



Assembly

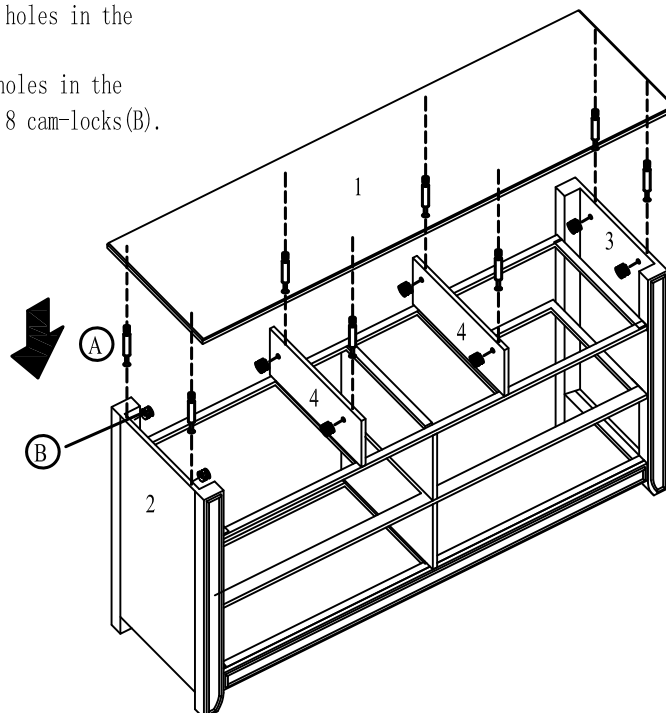
7 Assemble left side panel.

- Rotate 1 cam-bolt(A) and 1 dowel(O) into the holes in the left side panel(2).
- Place 1 cam-bolt(A) into the holes in the panel(8) and attach using 1 cam-lock(B).
- Attach the frame(5/10/7) to left side panel(2) using 6 bolts(E).



8 Assemble top panel.

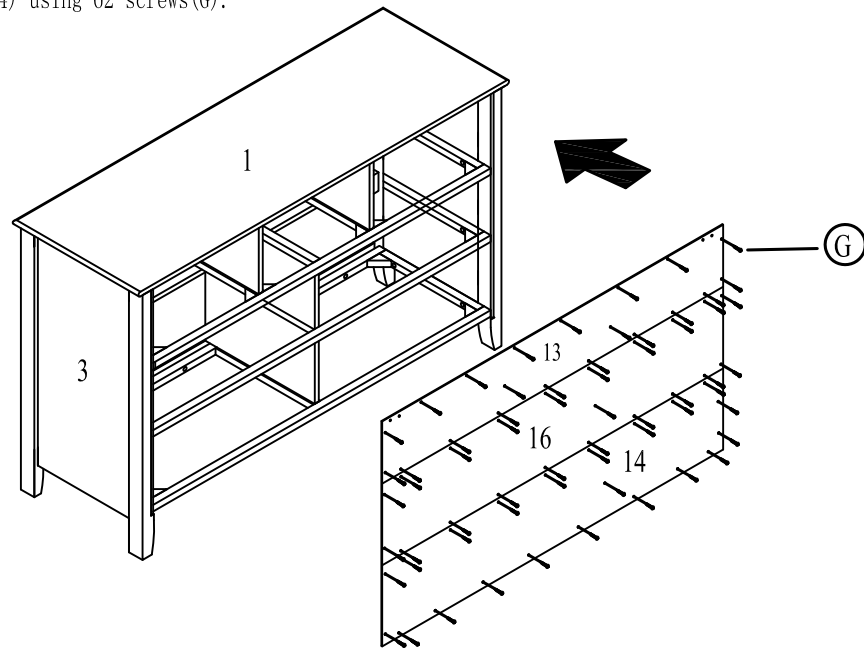
- Rotate 8 cam-bolts(A) into the holes in the top panel(1).
- Place 8 cam-bolts(A) into the holes in the panels(2/3/4) and attach using 8 cam-locks(B).



Assembly

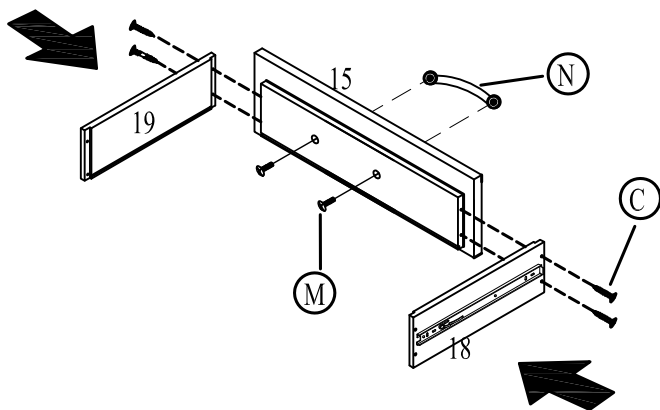
9 Assemble back panel.

- Attach back panel(13/16/14) using 62 screws(G).



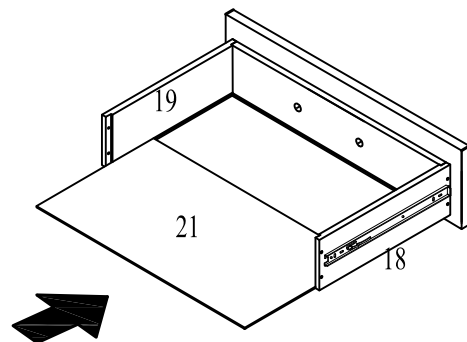
10 Assemble small drawer front panel.

- Attach small drawer left/right side panel(18/19) to small drawer left/right front panel(15) using 4 screws(C).
- Pass the 2 screw (M) through the hole in the suction panel (15) and tighten it against the hole in the 1 knob (N).



11 Assemble small drawer bottom panel.

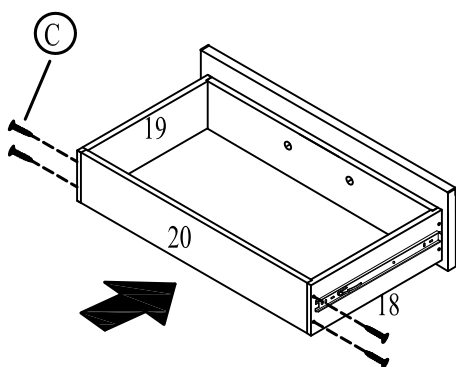
- Insert small drawer bottom panel(21) into the slot in the small drawer left/right side panel(18/19).



Assembly

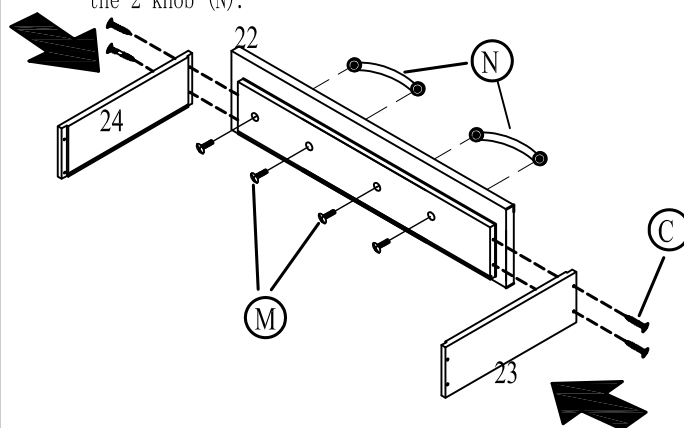
12 Assemble small drawer back panel.

- Attach small drawer back panel(20) to small drawer left/right side panel(18/19) using 4 screws(C).



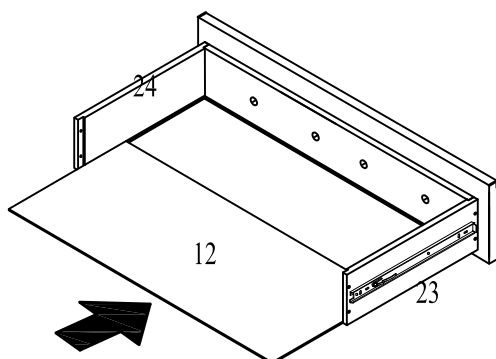
13 Assemble large drawer front panel.

- Attach large drawer left/right side panel(23/24) to large drawer front panel(22) using 4 screws(C).
- Pass the 4 screws (M) through the hole in the suction panel (22) and tighten it against the hole in the 2 knob (N).



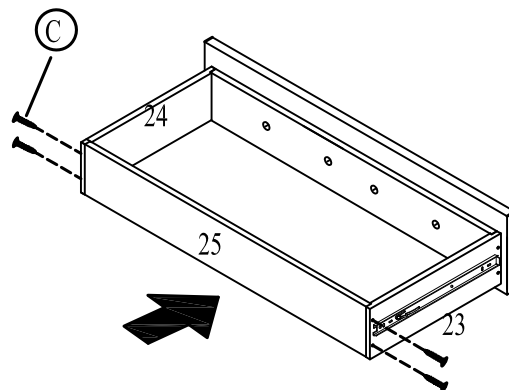
14 Assemble large drawer bottom panel.

- Insert large drawer bottom panel(12) into the slot in the large drawer left/right side panel(23/24).



15 Assemble large drawer back panel.

- Attach large drawer back panel(25) to large drawer left/right side panel(23/24) using 4 screws(C).

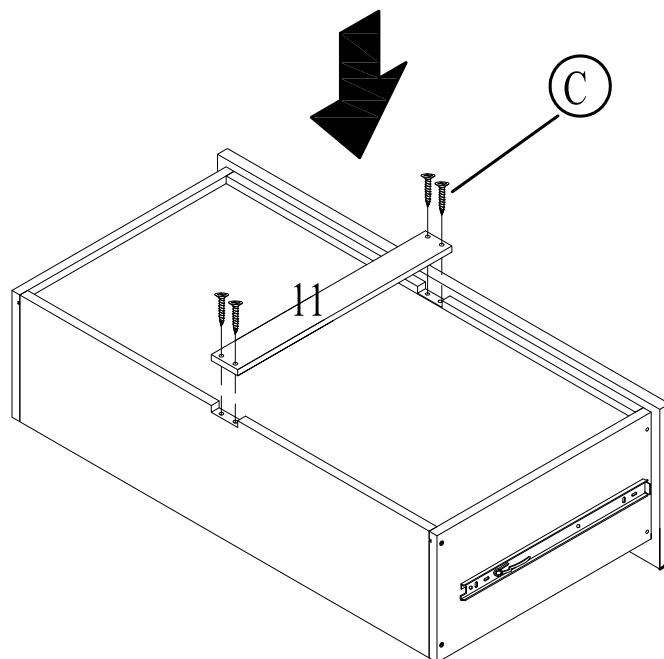


Assembly

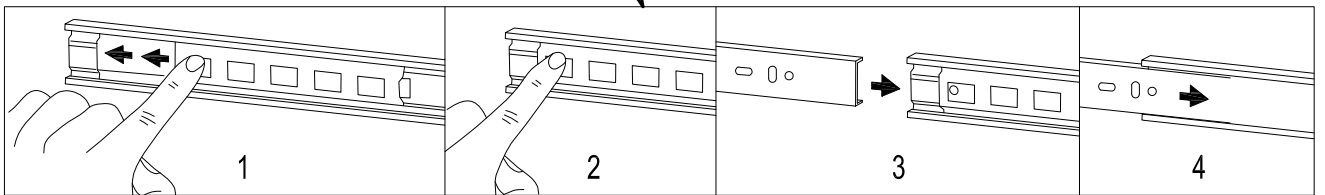
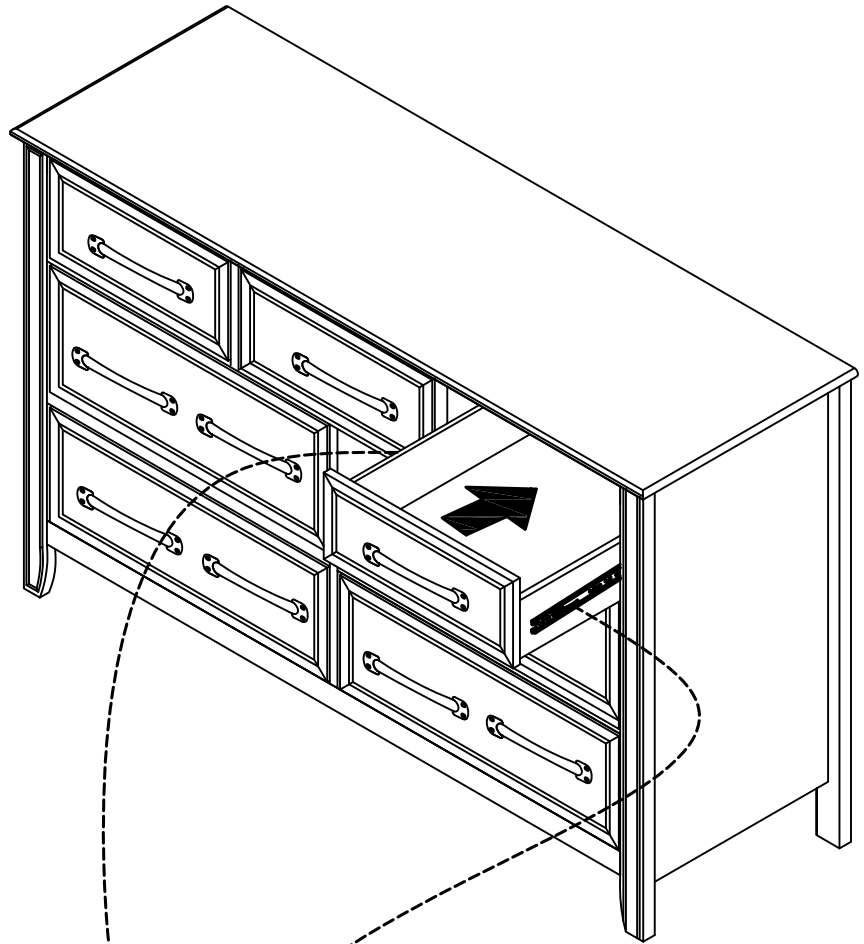
16

Assemble large drawer support panel.

- Attach large drawer support panel(11) using 4 screws(C).



17 Assemble drawer.

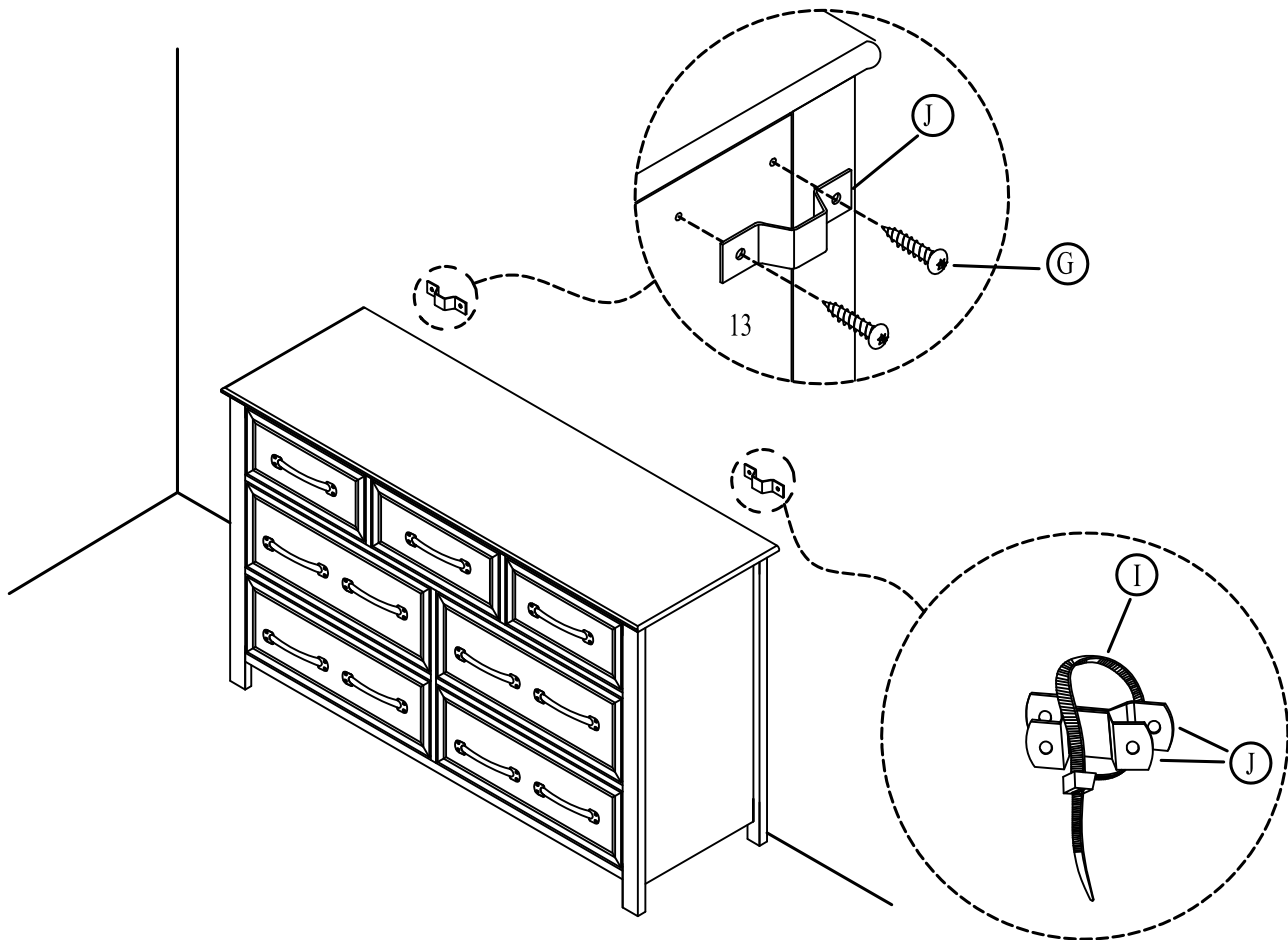
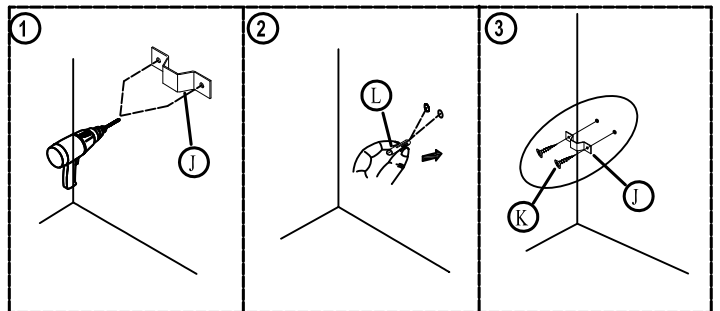


Installation



1 Assemble anti-tip hardware.

- Attach 2 hooks (J) to back panel (13) using 4 screws (G).
- Drill 4 holes into wall, please refer to the rear top panel's hole distance and height.
- Put 4 anchors (L) into holes in the wall, and rotate 4 screws (K) into anchors (L).
- Connect the two hooks (J) with a plastic belt (I).



Maintenance

- If your furniture is stained or otherwise damaged during use, contact a professional for repairs.

Care and Cleaning

- Use a soft, clean cloth that will not scratch the surface when dusting.
- Use of furniture polishes is not necessary. Should you choose to use polishes, test the polish in an inconspicuous area before using over the entire surface of the product.
- Using solvents of any kind on your furniture may damage the finish.
- Never use water to clean your furniture as it may cause damage to the finish.
- Always use coasters under beverage glasses and flowerpots.
- Liquid spills should be removed immediately. Using a soft, clean cloth, blot the spill gently. Avoid rubbing.
- Always use protective pads under hot dishes and plates. Heat can cause chemical changes that may create spotting within the furniture finish.
- Use care as stains or marks from crayons or ink markers will be difficult to remove.
- Be sure to immediately clean red wine or soda stains within 30 minutes or the surface will stain.

HOME DECORATORS COLLECTION

**Questions, problems, missing part? Before returning to the store,
call Home Decorators Collection Customer Service
8 a.m.-7p.m., EST, Monday-Friday, 9 a.m.- p.m., EST, Saturday**

1-800-988-7021

HOMEDEPOT.COM/HOMEDECORATORS

Retain this manual for future use.