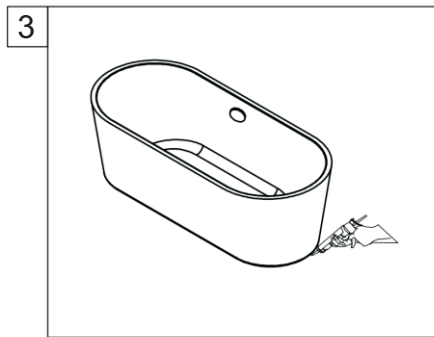
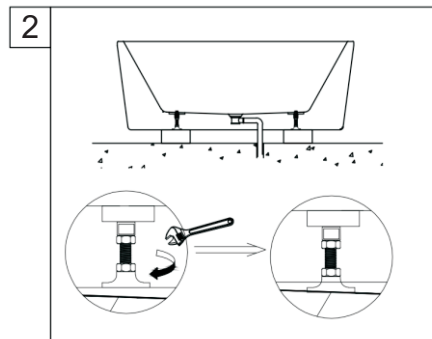
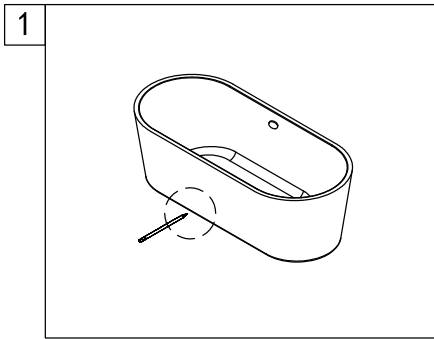
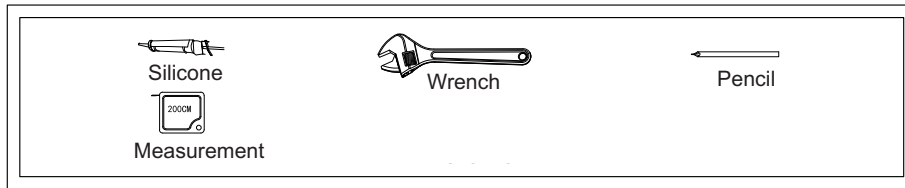


## Bathtub Installation



1. Move the bathtub into the desired location and mark on the floor along bathtub's bottom.
2. Gently lift the tub and adjust the leveling feet to desired height by rotating them.
3. Move the bathtub back into the desired location and put the drain hose into the floor drain.
4. Apply silicone along the bottom of the bathtub to create airtight seal.

## Owner's Manual & Installation Guide

### Freestanding Bathtub



- Please read all instructions carefully before proceeding with installation.
- Due to the complexity of the installation procedure a professional plumber is required.
- Specifications and directions may change without notice.

# Installation Guide Applicable Bathtub Models

## Table of Contents:

- 1. Installation Guide Applicable Bathtub Models ..... 1
- 2. Bathtub Installation ..... 2
- 3. Product Care and Maintenance..... 3

### Freestanding Bathtub



K-92-70FSWHSS-FM



K-95-70FSWHSS-FM



K-96-63FSWHSS-FM



K-93-70FSWHSS-FM



K-88-70FSWHSS-FM



K-89-70FSWHSS-FM



K-81-70FSWHSS-FM



K-80-70FSWHSS-FM



K-82-59FSWHSS-FM



K-82-59FSWHSS-FM



K-98-70FSWHSS-FM

## Product Care and Maintenance

- In order to clean the bathtub, please only use soft cotton cloth or soft sponge.
- Never use acidic, alkali, or any products that state on their label that they are not suitable for use on poly-marble or natural stone, to clean the bathtub.
- To clean the tub, wet the surface of the tub, apply cleaning product with cloth or sponge and then use water to clean and rinse. Ensure no cleaning product is left over on the tub as that may leave residue.