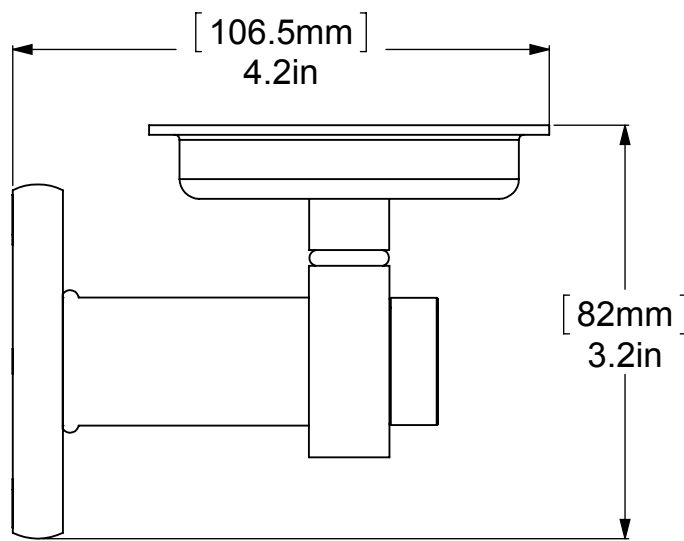
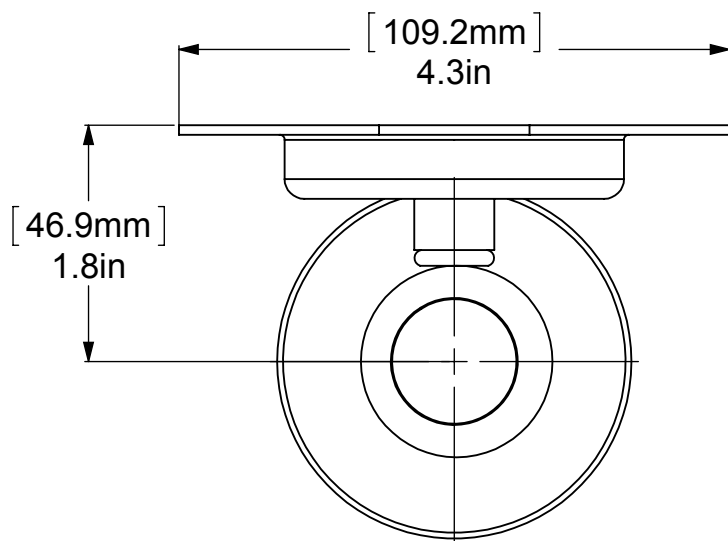
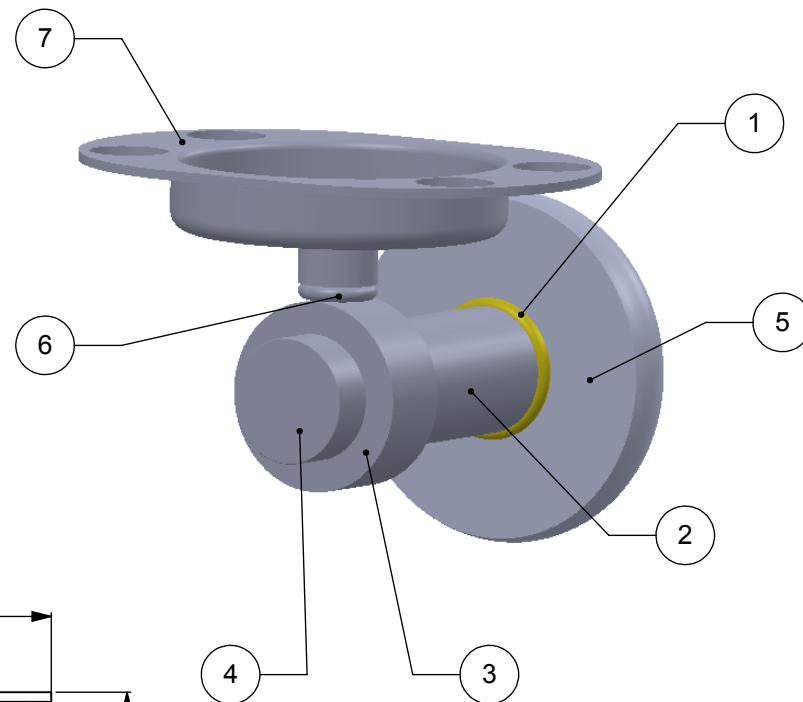


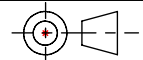
ITEM NO.	PART NUMBER	DESCRIPTION	QTY.
1	CRRD-1	CHECK RING	1
2	TU1-2	TUBE	1
3	RGSMT	HUB	1
4	CARD-1	CAP	1
5	BPRD	BASE	1
6	CRRD-12	CHECK RING-1	1
7	HROVT	TOP PLATE	1



UNLESS OTHERWISE STATED

.X	±.3mm
.XX	±.15mm
.XXX	±.008mm

COPYRIGHT © Allied Brass 2017



THIRD ANGLE PROJECTION

DRAWN	7/4/2017	I.M
CHECKED	7/4/2017	P.D
APPROVED	7/4/2017	R.A

MATERIAL:	BRASS		FINISH	TBD
DESCRIPTION:	Mercury Collection Tumbler and Toothbrush Holder		QUANTITY	TBD
			DRAWING No.	REV
			926	0
SCALE	1:3	SHEET: 01	A4	

