

# Trex® Outdoor Furniture™

## Assembly Instructions

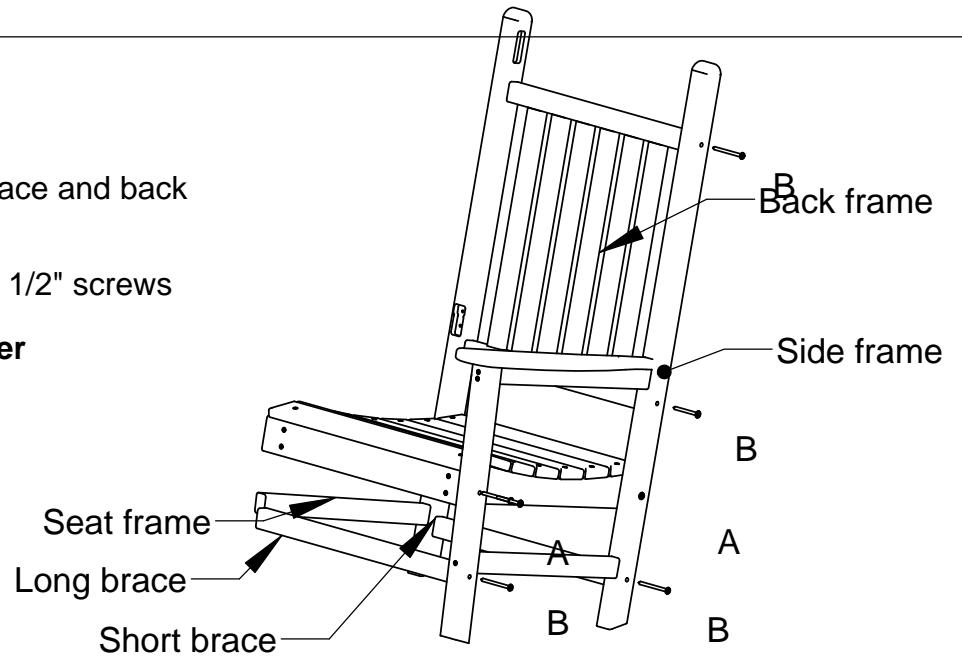
Model: TXR100

### Step 1

Attach long brace, short brace and back using (4) 14x3" screws.

Attach Seat using (2) 14x2 1/2" screws

**Note: front of seat is wider**

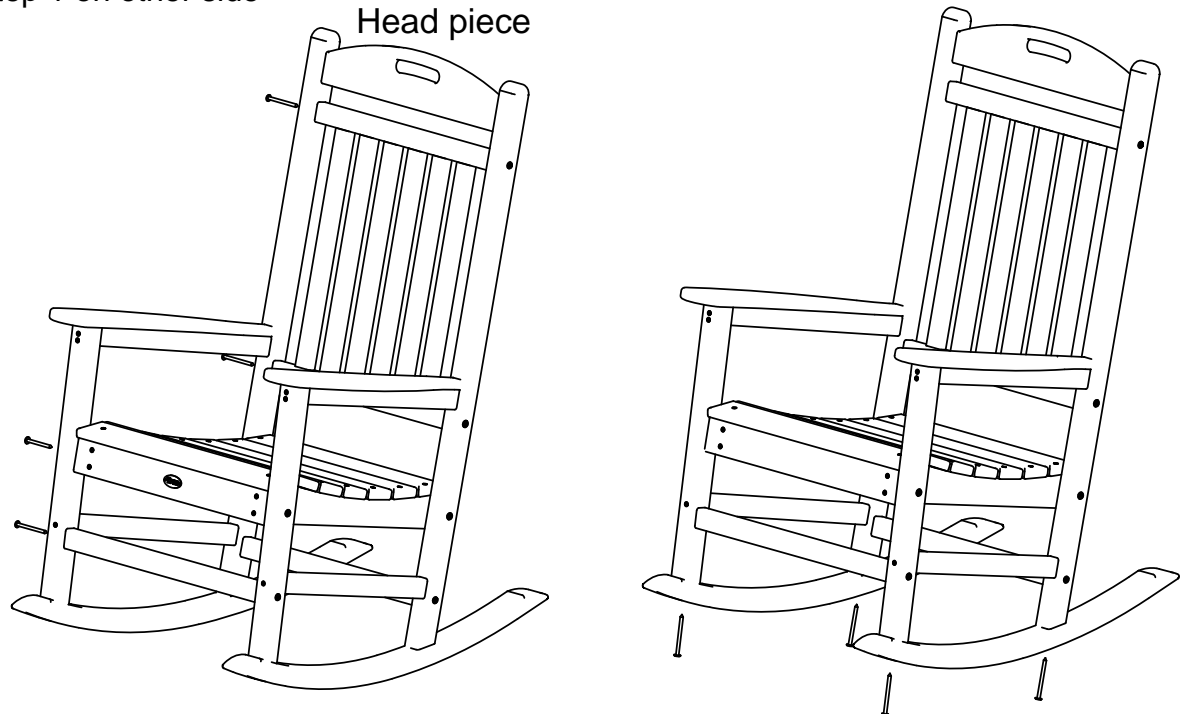


### Step 2

Insert head piece into top of post  
Repeat step 1 on other side

### Step 3

Attach rocker bottom with (4) 14x3" screws

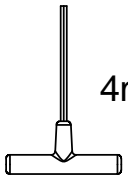


ALL HARDWARE IS COATED STAINLESS STEEL

2/21/2012

- \_\_\_ (1) Hardware pack
- \_\_\_ (2) Sideframes
- \_\_\_ (2) Rocker bottoms
- \_\_\_ (1) Back
- \_\_\_ (1) Seat
- \_\_\_ (1) Long brace
- \_\_\_ (1) Short brace
- \_\_\_ (1) Head piece

### TOOLS NEEDED



4mm T-handle: INCLUDED



4mm hex, straight,  
for drill : INCLUDED

Qty.	Description
4	A - .27 X 2-1/2 SOCKET WAFER A
12	B - .27 X 3 SOCKET WAFER A

# Trex® Outdoor Furniture™

Model: TXNST

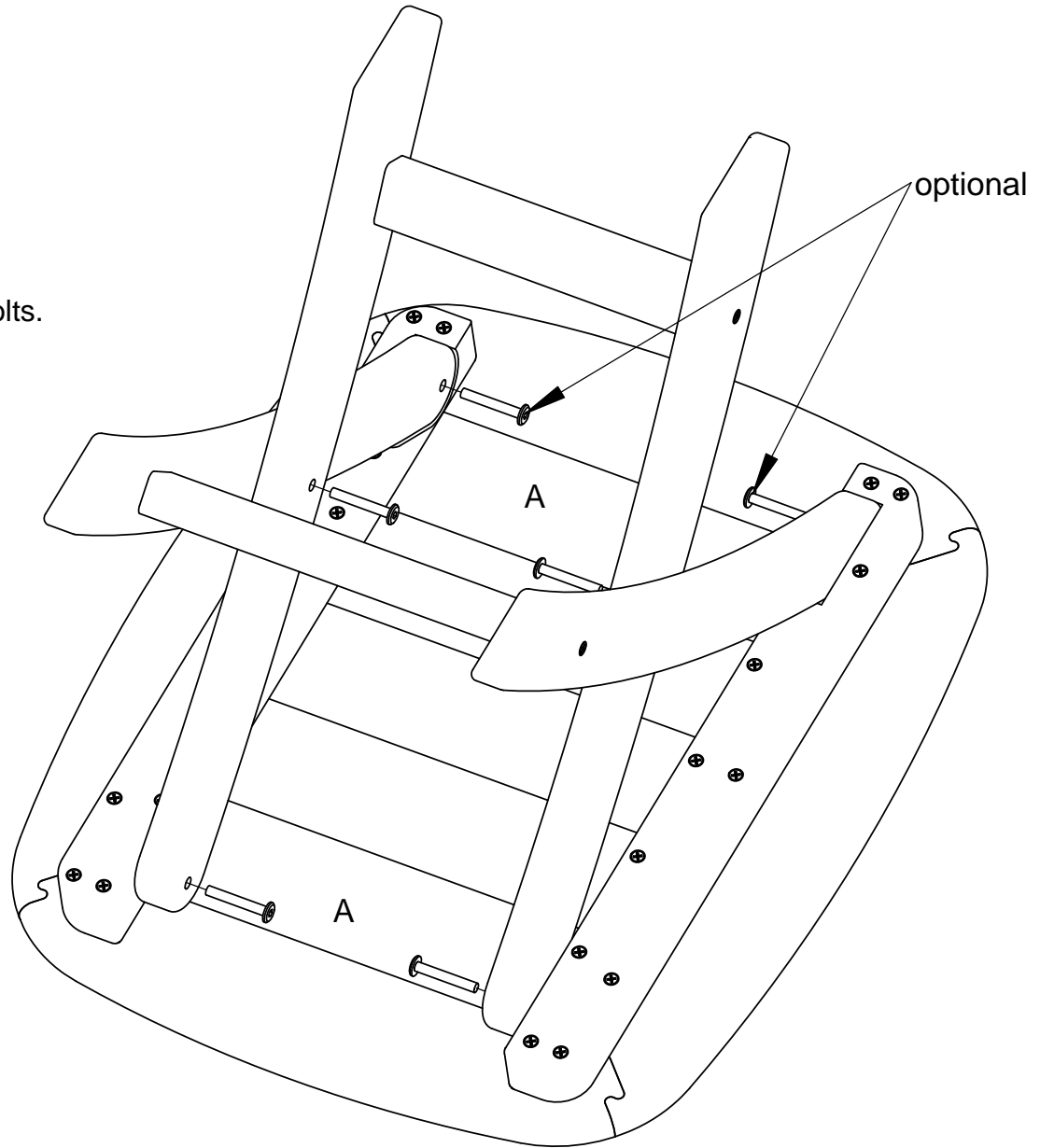
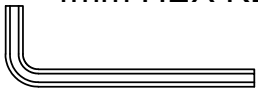
## Step 1

Attach legs to table top with (6) 1½" chair bolts.

- (1) Inside leg assembly
- (1) Outside leg assembly
- (1) Table top
- (1) Hardware pack

### TOOLS NEEDED

4mm HEX KEY: INCLUDED



Qty.	Description
------	-------------

6

1/4-20 X 1-1/2 WAFER SHCS



ALL HARDWARE IS COATED STAINLESS STEEL

6/2/2011