



PR8a - PR8b -BOOK SHELF RACK

Thank you for choosing Enclume!

Enclume racks are the ultimate in quality, design, strength and function.

WARNING: READ ALL OF THE INSTRUCTIONS BEFORE ASSEMBLING AND USING YOUR RACK



If you need help, please call 1-877-ENCLUME
Enclume Design Products
24 Colwell Street, Port Hadlock, WA 98339
Phone 360-385-6100 • Fax 360-385-6156
www.enclume.com

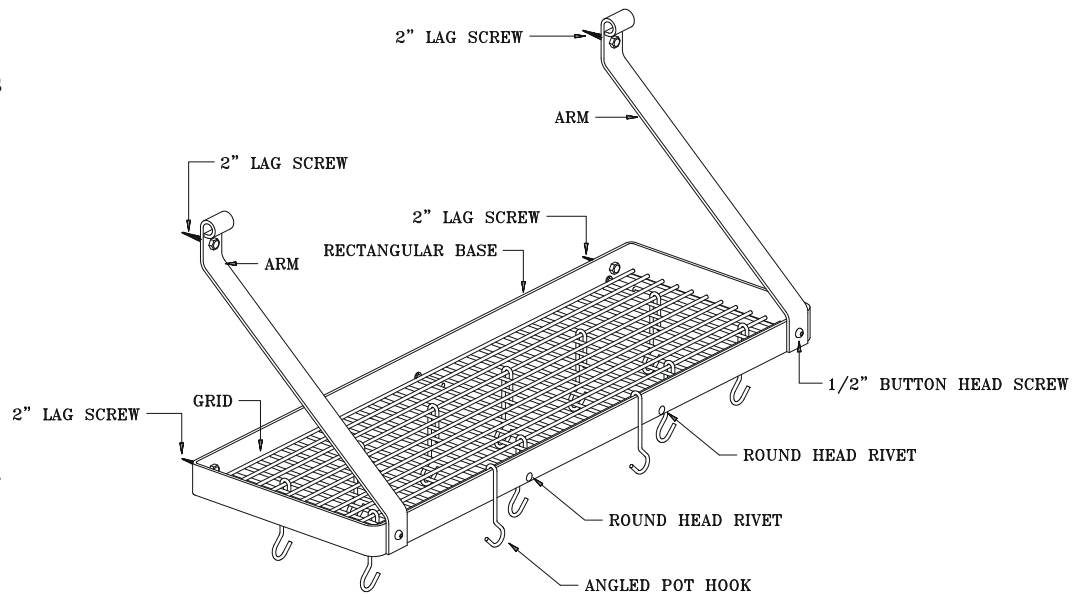
Enclosed you will find everything needed for the assembly and use of your storage rack. Two people make assembly and installation easier. The parts and hardware included are:

Hardware included:

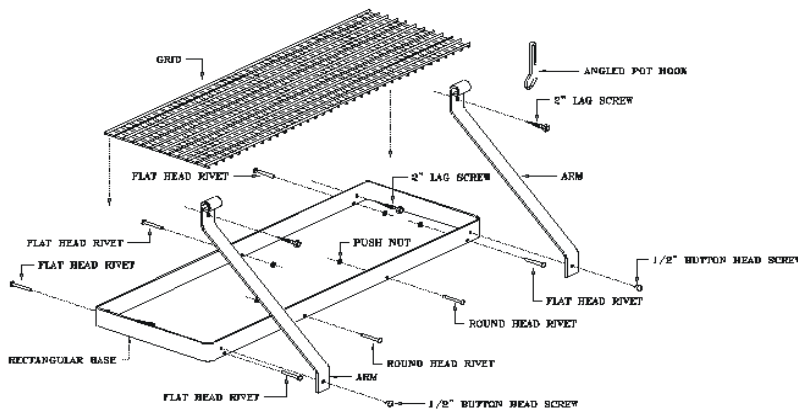
- 2 - 3/8" x 1/2" Button Head Screws
- 2 - 1 1/2" Round Head Rivets
- 5 - 1 1/2" Flat Head Rivets
- 7 - Push Nuts
- 4 - 2" Lag Screw
- 1 - 7/32" Allen Wrench
- Toggle Kit

Components included:

- 1 - Rectangular Base
- 2 - Arms
- 1 - Grid
- 12 - Angled Pot Hooks - 12" shelf
- 6 - Angled Pot Hooks - 8" shelf
- 6 - Straight Pot Hooks - 8" shelf



See reverse side for ASSEMBLY AND INSTALLATION INSTRUCTIONS



ASSEMBLY AND INSTALLATION INSTRUCTIONS

Rack Assembly

- 1) If your rack is plated it is best to keep the tissue on during installation to avoid fingerprinting.
- 2) It is very important to determine the front and back of the rectangular base. The front has two threaded holes and four smaller unthreaded holes. The back has two large holes and three small holes unthreaded.
- 3) In the back of the rack, insert three flathead rivets into the smaller holes so they protrude into the rack's interior. Slide a push nut onto each rivet and push toward the rack body so the rivets are held tightly.
- 4) On the front of the rack, insert the two remaining flathead rivets into the two smaller holes near each end of the rectangular base. Put the two round head rivets into the small holes near the center. Looking at the rack front from left to right with the rivets in place, you should have one flat head rivet two round head rivets and one flat head rivet. When you are sure of the order, lock in place with the push nuts as you did on the back.
- 5) Turn the rectangular base so that the rivets are closest to the bottom. Using the Allen wrench and the two 3/8" x 1/2" button head screws, attach the arms to the rack body through the threaded holes in the front.
- 6) We recommend that you anchor your rack into the solid wood of wall studs. Carefully measure the area where the rack is to be hung and install the lag screw directly into the wood studs. If it is not convenient to hang your rack directly into wood you may use the included DRYWALL anchors enclosed with your rack. See Toggler® brand manufacturer recommendations for weight limits included in the instructions in the Toggler kit.
- 7) After the rack has been mounted onto the wall, place the grid into it with the long wires facing up. Push the grid against the back of the rack so there is clearance for the pot hooks to hang along the front bar.
- 8) Distribute the weight of your cookware evenly around the rack and grid.



It is important that your rack is assembled correctly. If the unit is assembled or used incorrectly, it could become unstable and collapse, possibly causing injury.

Limited Warranty: This product is warranted to be free of material defects for a period of five years from the date of purchase. Customer's exclusive remedy shall be the repair or replacement of the defective product and shall be subject to the following conditions: (1) notice of any defect is received by Enclume within the warranty period and (2) customer returns the defective product to Enclume Design Products, 24 Colwell St., Port Hadlock, WA 98339, *postage prepaid* within 20 days following a return authorization number (which may be obtained by telephoning the number at the top of this instructions) being provided to the customer by Enclume. There are no other warranties, expressed or implied. **THERE ARE NO WARRANTIES OF MERCHANTABILITY OR FITNESS FOR A PARTICULAR PURPOSE. ENCLUME SPECIFICALLY DISCLAIMS ANY AND ALL INCIDENTAL OR CONSEQUENTIAL DAMAGES ARISING OUT OF THE PURCHASE OR USE OF ENCLUME'S PRODUCTS.**