

VAPOR LIGHT

SPEC SHEET

Catalog No. : VPR14-4K-CM-GR

Type : CANOPY VAPOR LIGHT

Project Name :

Location :

Qty :

Date :



Suitable for
Wet Locations

High-efficiency fixture replaces a 120-Watt metal halide incandescent bulb with only a 14-Watt LED or 91% less energy, easily saving \$90 per year compared to incandescent bulbs. Heavy-duty, corrosion resistant and vapor tight die-cast aluminum construction with commercial-grade powder coat paint delivers a long-lasting and durable look. Included threaded cage provides additional protection against vandalism and harsh weather.

APPLICATIONS

The vapor tight fixture shields against dust, moisture and flammable vapor from entering into the light fixture reducing risks of fire in hazardous locations. It is ideal for garages, work-stations, barns, industrial areas, construction zones, car washes, sheds and storage areas, cold-storage and bridges and tunnels.



PRODUCT PERFORMANCE AT A GLANCE

SYSTEM WATTAGE	LED WATTAGE	LUMENS	LPW	CRI	REPLACES (MH)
14W	13W	1389 lm*	102 lm/w	≥70	120W

HOUSING

Die-cast aluminum back plate, junction box, and heat sink sealed with a thermal impact-resistant frosted polycarbonate globe and a die-cast threaded cage guard secured with stainless steel hardware.

IP RATING & LISTINGS

UL/cUL listed to the UL 1598 standard, suitable for Wet Locations.

Suitable for use in ambient from -30° to 40°C (-22° to 104°F).

Product is DesignLights Consortium® qualified, cULus, and FCC Certified

OPTICS

Type-V light distribution provides a circular-shaped even and wide light coverage.

MOUNTING

Built in junction box with 5" mounting flanges and 1/2" NPT for threaded conduit on the sides.

Mounts to any flat surface. Mounting screws provided by user.

FINISH

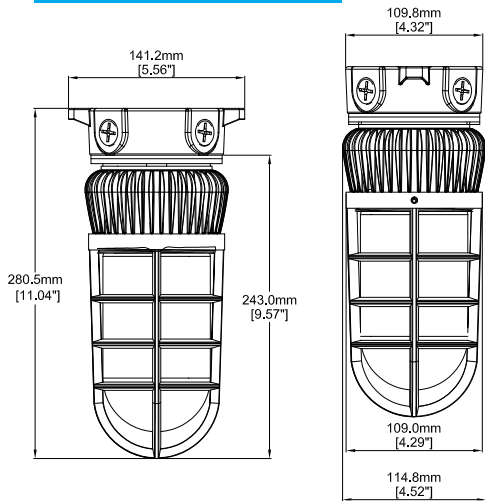
Shot blasted aluminum finish (As casted appearance).

WARRANTY

Fixture is covered by a 5-year limited warranty.

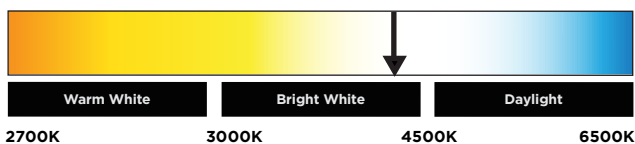
See probrite.com/warranty for details.

PRODUCT LINE DRAWING



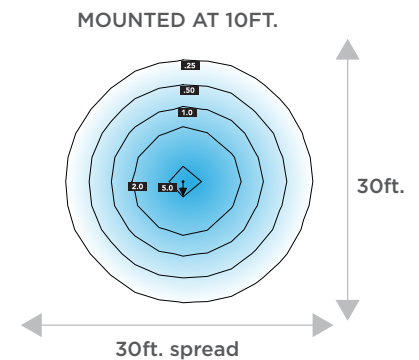
PRODUCT SPECIFICATIONS

Product Dimensions	: 11.38" x 7.35" x 4.52
Weight	: 3.97lbs
Lumens	: 1389
System Wattage	: 14W
LED Wattage	: 13W
Efficacy	: 102
CRI	: 70
Replaces (MH)	: 120W
Mounting	: Ceiling Mount
Frequency	: 50-60Hz
THD (Total Harmonic Distortion)	: <20%
PF (Power Factor)	: >0.9
Ambient Operating Temperature	: (-30) - 40°C
Input Voltage	: 120-277V
LED Chip	: Citiled COB CLU028
Photocell	: No
Driver	: Non-dimming
Standard Lifetime	: L70 >50,000hrs
Standard Warranty	: 5 Years
Water Proofing Grade	: Suitable for Wet location
CCT	: 4000K
Certifications	: DLC, UL/cUL



SUGGESTED MOUNTING HEIGHT:
8-15FT. (2.4-4.6M)

2D PHOTOMETRIC VIEW



APPLICATION

