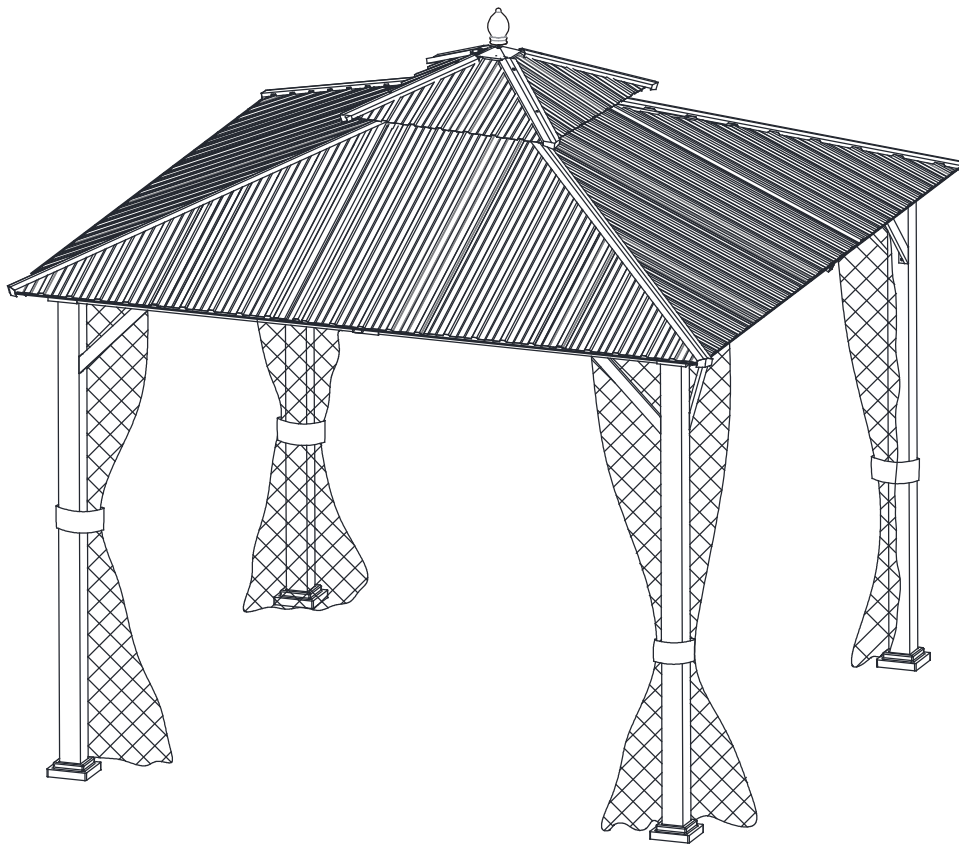




Item #1000 000 000
Model #XXXXXXX

USE AND CARE GUIDE

HOLDEN 10X10 HARD TOP GALVANIZED STEEL GAZEBO



Questions, problems, missing parts? Before returning to the store,
call Hampton Bay Customer Service
8 a.m. – 7 p.m., EST, Monday – Friday, 9 a.m. – 6 p.m., EST, Saturday

1-855-HD-HAMPTON

HAMPTONBAY.COM

THANK YOU

We appreciate the trust and confidence you have placed in Hampton Bay through the purchase of this gazebo. We strive to continually create quality products designed to enhance your home. Visit us online to see our full line of products available for your home improvement needs. Thank you for choosing Hampton Bay!

Table of Contents

Table of Contents.....	2	Tools required.....	3
Safety Information.....	2	Hardware Included.....	3
Warranty.....	2	Package Contents.....	4
What is Covered.....	2	Operation.....	7
What is Not Covered.....	2	Care and Maintenance.....	17
Warning.....	2	Service Parts.....	18
Pre-installation.....	3	Model Type.....	18
Planning Installation.....	3		

Safety Information

1. SET UP YOUR GAZEBO PROPERLY

- This unit is heavy. Do not assemble this item alone. 4 people are recommended for safe assembly.
- Please read and understand this entire manual before attempting to assemble, operate, or install the product.
- Keep all children, pets and other obstructions away from assembly area.
- If any part is missing or damaged, do not attempt to assemble the product.
- In order to avoid damage to the gazebo and its components please use appropriate tools.
- Do not use the structure as support.
- Check all bolts on a regular basis to maintain the solidity of the structure.
- Keep instructions for future use.



DANGER: This unit is heavy! Do not assemble this item alone.



WARNING: Do not leave the gazebo where there is a risk of high wind, as possible damage will occur to the structure.



CAUTION: Do not climb on top of the gazebo. Falling off the gazebo can result in serious injury, possibly even death.

2. EXAMINE YOUR GAZEBO

- Examine occasionally to ensure there are no loose parts. If loose parts are found, they should be retightened immediately.

Warranty

2 YEAR WARRANTY FOR FRAME, 1YEAR WARRANTY FOR FABRIC

WHAT IS COVERED

We provide warranty to the original purchase for 2 year for frame and 1 year for fabric from the date of purchase, and the fabric and frame will be replaced at no charge due to manufacturing defects.

WHAT IS NOT COVERED

We do not reimburse for transportation costs. This warranty does not cover the damage caused by commercial use, acts of nature, fire, freezing, and abusive use. Discoloration or fading of the finish or fabrics as a result of chemicals or spills is not covered.

Contact the Customer Service Team at 1-855-HD-HAMPTON or visit [www. Hamptonbay.com](http://www.Hamptonbay.com).

Warning



WARNING: KEEP ALL FLAME AND HEAT SOURCES AWAY FROM THIS TENT FABRIC.

This tent meets the flammability requirements of CPAI-84. The fabric may burn if left in continuous contact with any flame source. The application of any foreign substance to the tent fabric may render the flame-resistant properties ineffective.

Pre-installation

PLANNING INSTALLATION

To prevent damage, place all parts on a soft surface during assembly.

Tools required for assembly (not included): Allen wrench (included), hammer, screwdriver, stepladder, level and other safety items such as gloves, safety goggles and hardhat.



NOTE: Tools and protective articles below are not provided.

TOOLS REQUIRED



Hammer



Screwdriver



Safety goggles



Gloves



Hardhat



Stepladder

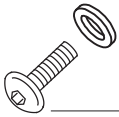


Level

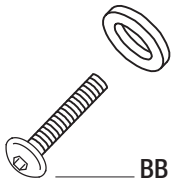
HARDWARE INCLUDED



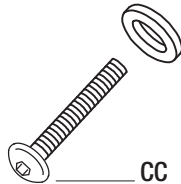
NOTE: Hardware not shown to actual size.



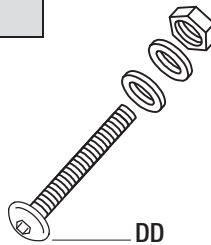
AA



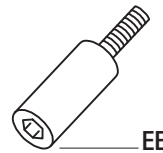
BB



CC



DD



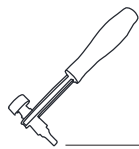
EE



FF



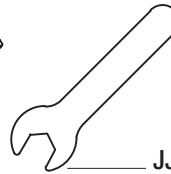
GG



HH



II

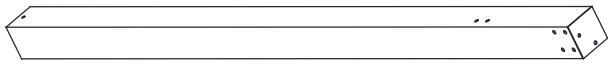


JJ

Part	Description	Quantity
AA	Bolt\Flat Washer (M6*15)	184
BB	Bolt\Plastic Washer (M6*25)	16
CC	Bolt\Plastic Washer (M6*35)	16
DD	Bolt\Flat Washer\Nut (M6*53)	4
EE	Blot (M6*15)	32
FF	Hanger	40
GG	Stake	16
HH	Fast Wrench	1
II	Allen Wrench	2
JJ	Wrench	1

Pre-installation (continued)

PACKAGE CONTENTS



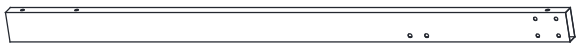
___ A



___ B



___ C



___ D1



___ D2



___ E



___ F



___ F1



___ G1



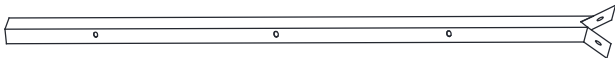
___ G2



___ H1



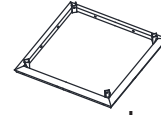
___ H2



___ I1



___ I2



___ J



___ K



___ L1



___ L2



___ L3



___ L4



___ M1



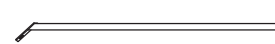
___ M2



___ M3



___ M4



___ N1



___ N2



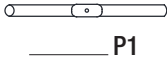
___ O1



___ O2

Pre-installation (continued)

PACKAGE CONTENTS



____ P1



____ P2



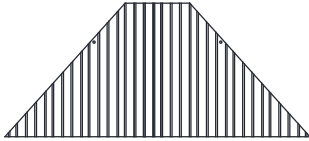
____ Q1



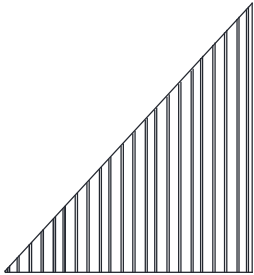
____ Q2



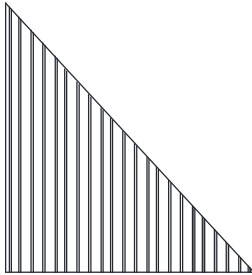
____ Q3



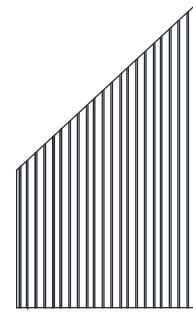
____ R



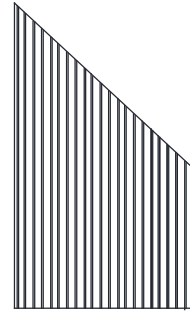
____ S1



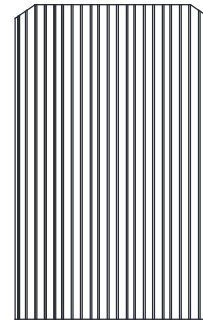
____ S2



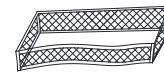
____ T1



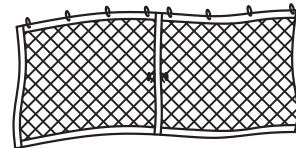
____ T2



____ U



____ V



____ W



____ X

Pre-installation (continued)

PACKAGE CONTENTS

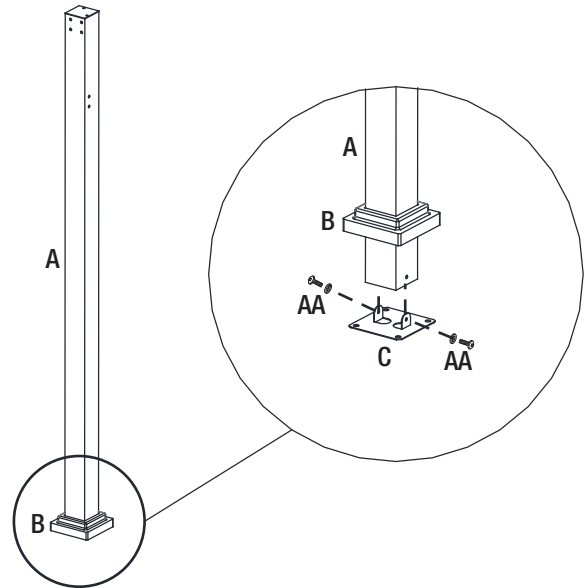
Part	Description	Quantity
A	Post	4
B	Base Cover	4
C	Base	4
D1	Left Lintel	4
D2	Right Lintel	4
E	Connector	8
F	Lintel Cover	4
F1	Corner Connector	4
G1	Connector	4
G2	Top Connector	4
H1	Left Support Bar	4
H2	Right Support Bar	4
I1	Long Top Bar	4
I2	Short Top Bar	4
J	Big Top Connector	1
K	Small Top Bar	4
L1	Center Connector	1
L2	Small Top Cover	1
L3	Finial	1
L4	Hook	1
M1	#1 Roof Borders	4

Part	Description	Quantity
M2	#2 Roof Borders	4
M3	#3 Roof Borders	4
M4	Short Bar Connector	4
N1	#1 Roof Supports	4
N2	#2 Roof Supports	4
O1	#3 Roof Supports	4
O2	#4 Roof Supports	4
P1	Connector	4
P2	Sliding Tube	8
Q1	Small Top Roof Cover	4
Q2	Big Top Panel Cover	4
Q3	Connector	4
R	Small Top Panel	4
S1	#1 Roof Panel	4
S2	#5 Roof Panel	4
T1	#2 Roof Panel	4
T2	#4 Roof Panel	4
U	#3 Roof Panel	4
V	Air Vent	1
W	Mosquito Net	4
X	Spacer	16

Operation

1 Installing the Post

- Insert the Base Cover (B) into Post (A), attach Post (A) to the Base (C) with Bolt (AA).

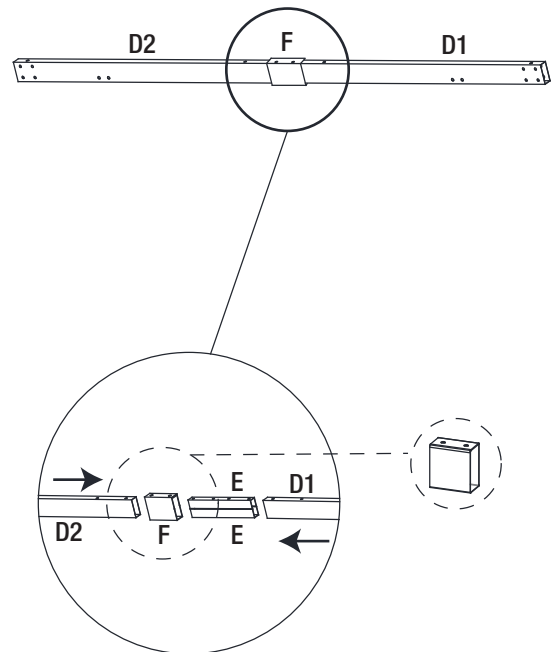


2 Inserting the Lintel

- Insert the Right Lintel (D2) into the Lintel Cover (F), insert the Connector (E) into the Lintel (D2/D1).



NOTE: Please take note of the direction of lintel cover and Lintel (D1/D2).



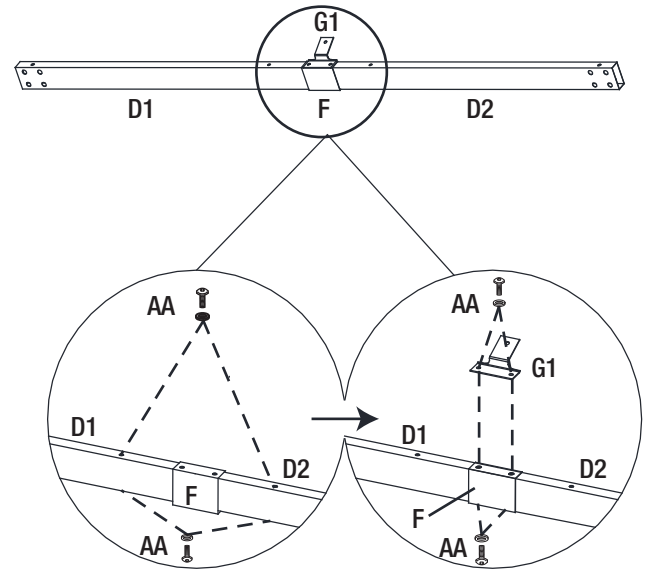
Operation (continued)

3 Installing the Lintel and Connector

- Connect the Lintel (D1/D2) with the Connector (E) by bolt (AA), at the same time, connect the Connector (G1) and the Connector (E) by Bolt (AA) in the upper side.

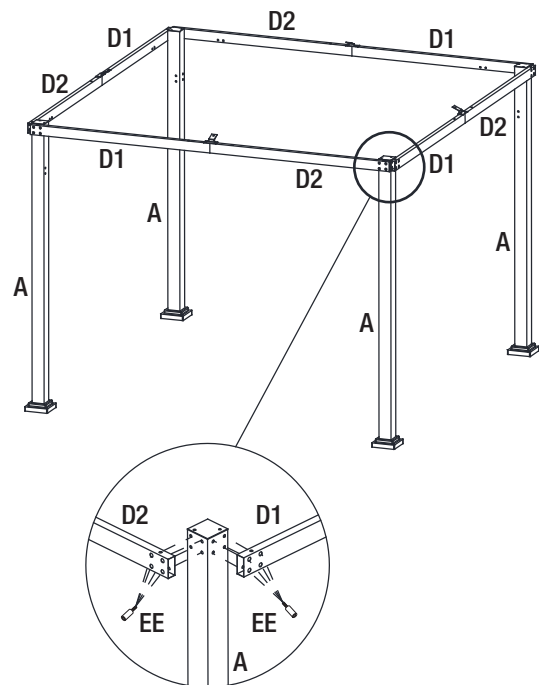


NOTE: Please take note of Connector's direction.



4 Installing the Lintel and Post

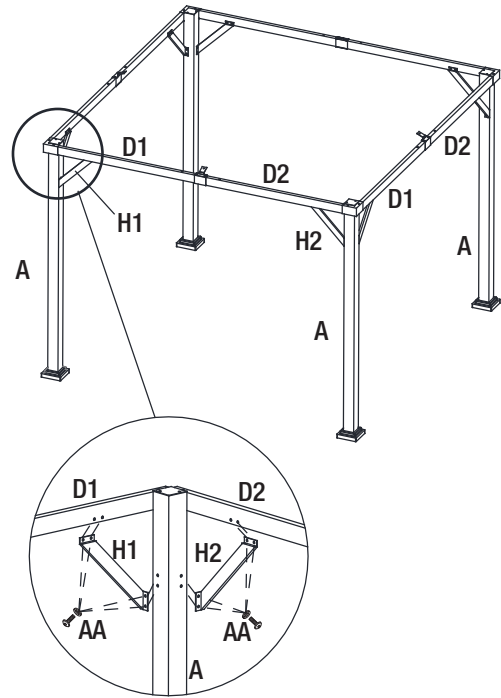
- Attach the Right Lintel (D2) and the Left Lintel (D1) to Post (A) by Bolt (EE).



Operation (continued)

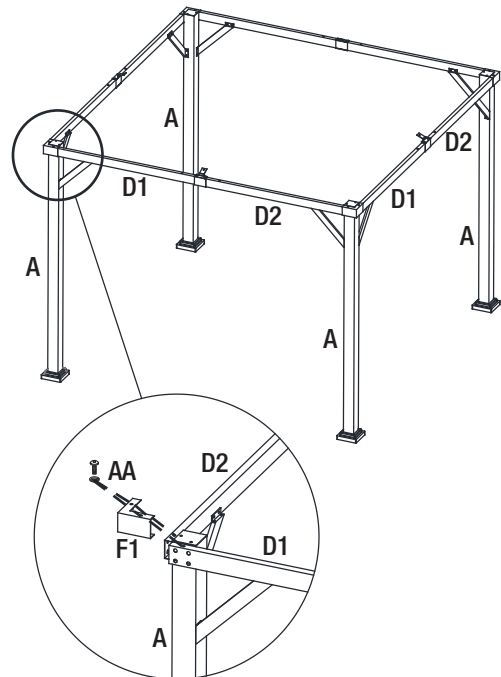
5 Installing the Support Bar

- Attach the Left Support Bar (H1) to the Left Lintel (D1) and Post (A) by Bolt (AA); attach the Right Support Bar (H2) to the Right Lintel (D2) and Post (A) by Bolt (AA).



6 Installing the Corner Connector and Lintel

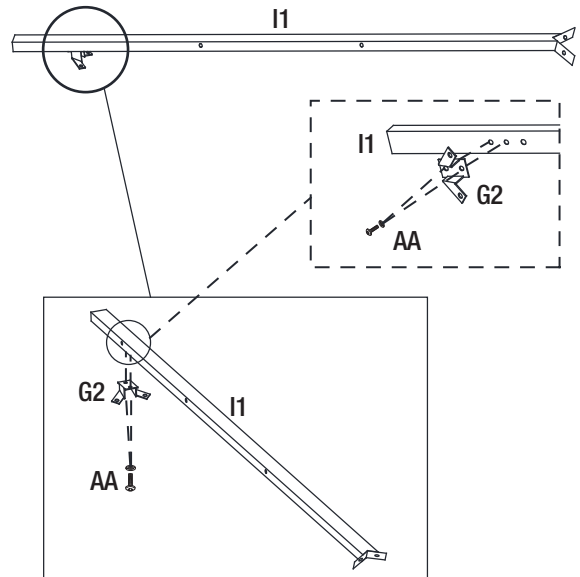
- Attach the Corner Connector (F1) to the Lintel (D1/D2) by Bolt (AA).



Operation (continued)

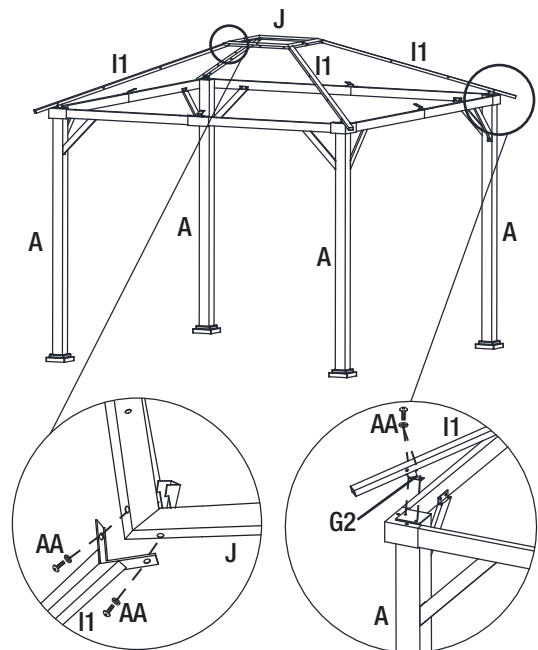
7 Installing the Top Connector and Long Top Bar

- Attach the Top Connector (G2) to the Long Top Bar (I1) by Bolt (AA).



8 Installing the Long Top Bar

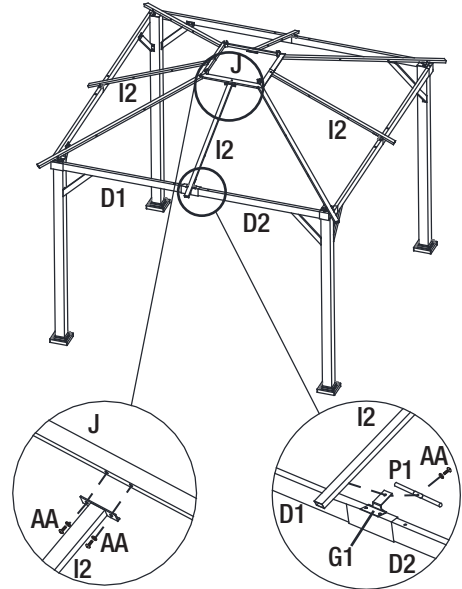
- Attach the Long Top Bar (I1) to the Big Top Connector (J) by Bolt (AA).
- Attach the Top Connector (G2) located below the Long Top Bar (I1) to Post (A) by Bolt (AA).
- Connect the other corners in the same way.



Operation (continued)

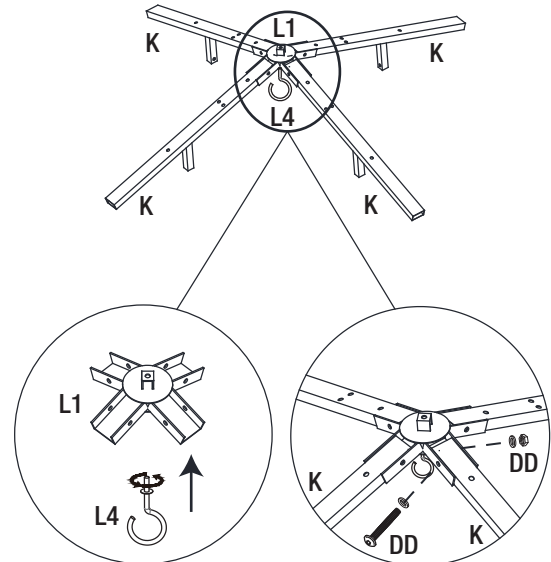
9 Installing the Short Top Bar

- Attach the Short Top Bar (I2) to the Big Top Connector (J) by Bolt (AA).
- Connect the Connector (P1) and Connector (G1) to the end of Short TOP Bar (I2) by Bolt (AA).
- Connect other sides in the same way.



10 Installing the Center Connector and Small Top Bar

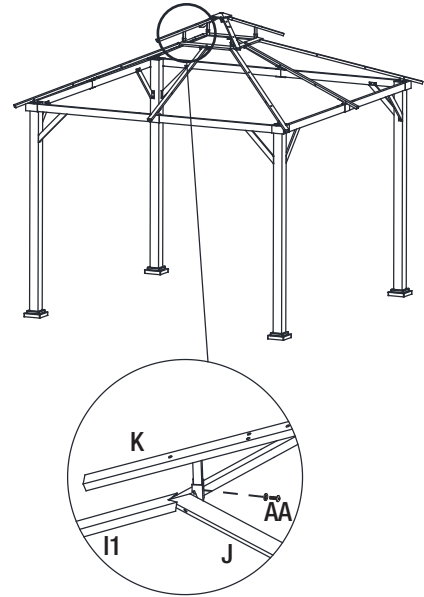
- Screw the Hook (L4) to the Center Connector (L1).
- Connect the Small Top Bar (K) with the Center Connector (L1) by bolts (DD).



Operation (continued)

11 Installing the Small Top Bar and Big Top Connector

- Attach the Small Top Bar (K) to the Big Top Connector (J) by Bolt (AA).

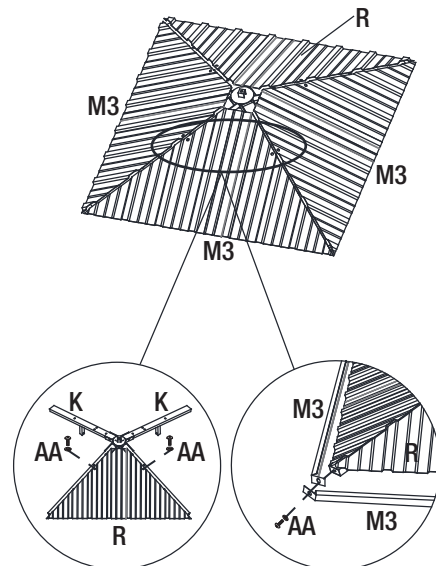


12 Installing the Small Top Panel and Roof Border

- Attach the Small Top Panel (R) to the Small Top Bar (K) by Bolt (AA). Assemble the others in the same way.
- Attach #3 Roof Borders (M3) to the edge of the roof as shown by Bolt (AA).



NOTE: To avoid destroying the finish, please handle it with care.



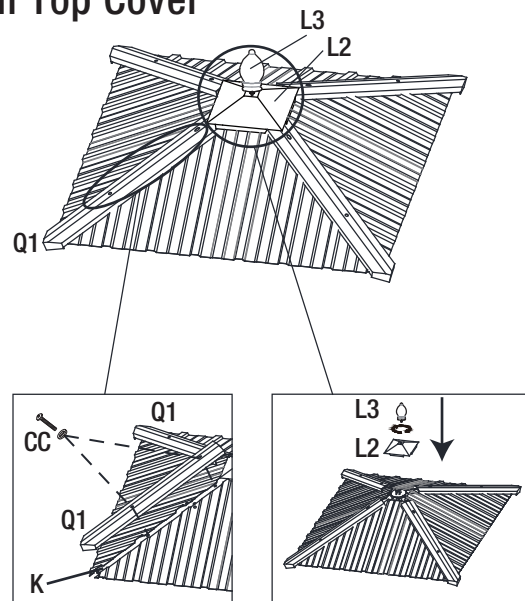
Operation (continued)

13 Installing the Small Top Center and Small Top Cover

- Attach the Small Top Roof Cover (Q1) to the Small Top Bar (K) by Bolt (CC).
- Attach the Small Top Cover (L2) to the Center Connector (L1) by Finial (L3).



NOTE: To avoid destroying the finish, please handle it with care.

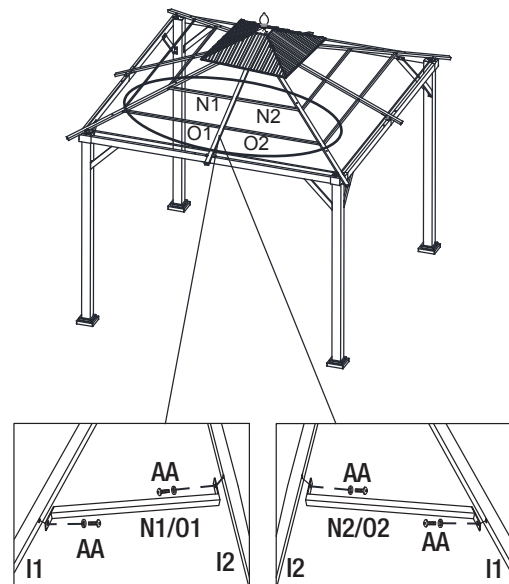


14 Installing the Roof Supports

- Attach #1 Roof Supports (N1) to the Long Top Bar (I1) and the Short Top Bar (I2) by Bolt (AA). Attach #2 Roof Supports (N2) to the Short Top Bar (I2) and the Long Top Bar (I1) by Bolt (AA). Attach #3 Roof Supports (O1) and #4 Roof Supports (O2) to the Long Top Bar (I1) and the Short Top Bar (I2) in the same way.



NOTE: To avoid destroying the finish, please handle it with care.



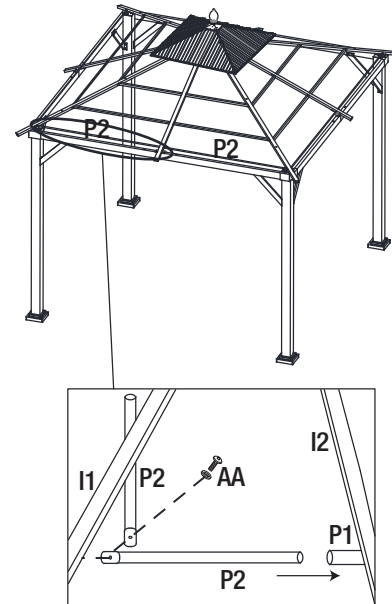
Operation (continued)

15 Installing the Sliding Tube

- Insert one end of the Sliding Tube (P2) into the Connector (P1), attach the other end of the Sliding Tube (P2) to the Long Top Bar (I1) by Bolt (AA).



NOTE: To avoid destroying the finish, please handle it with care.



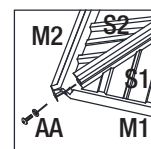
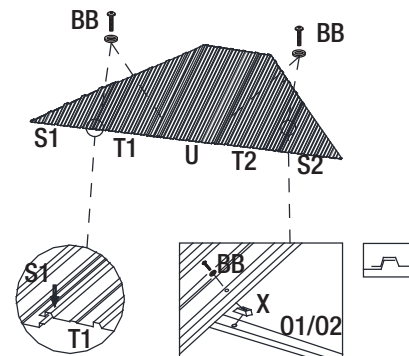
16 Installing the Big Top Panel

- Install the Roof Panels starting from left to right. Slide #1 Roof Panel (S1) into position. Then overlap #2 Roof Panel (T1) as shown and slide it into position. Attach #1 Roof Panel (S1) and #2 Roof Panel (T1) to #3 Roof Supports (O1) by Bolt (BB) and Spacer (X).
- Slide #3 Roof Panel (U) into position. Attach #3 Roof Panel (U) and #2 Roof Panel (T1) to #3 Roof Supports (O1) by Bolt (BB) and Spacer (X).
- Slide #4 Roof Panel (T2) into position. Attach #4 Roof Panel (T2) and #3 Roof Panel (U) to #4 Roof Supports (O2) by Bolt (BB) and Spacer (X).
- Slide #5 Roof Panel (S2) into position. Attach #5 Roof Panel (S2) and #4 Roof Panel (T2) to #4 Roof Supports (O2) by Bolt (BB) and Spacer (X). Repeat on each side.
- Tighten all bolts (BB).
- Attach #1 Roof Borders (M1) and #2 Roof Borders (M2) to the edge of the roof as shown with Bolt (AA). Attach the Short Bar Connector (M4) as shown with Bolt (AA).

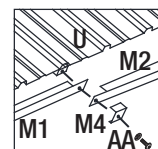


NOTE: Don't tighten the screws firstly until all roof borders are installed.

- Assembled by 2 persons.
- Make sure each screw installed on this step is attached to a Spacer (X).
- Do not tighten the screws until all roof panels finish installation. If tighten them from the beginning, you will not be able to install all the roof panels properly.



Note: Don't tighten the screws firstly until all roof borders are installed.



Assembled by 2 persons

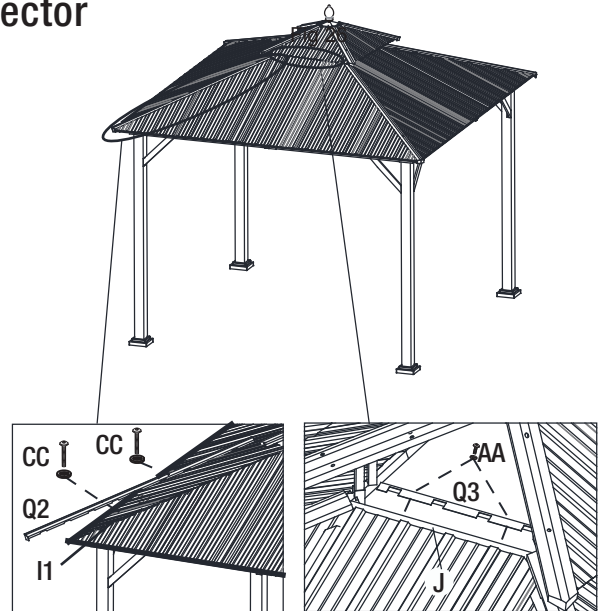
Operation (continued)

17 Installing the Big Top Cover and Connector

- Attach the Big Top Panel Cover (Q2) to the Long Top Bar (I1) by Bolt (CC).
- Attach the Connector (Q3) to the Big Top Connector (J) by Bolt (AA).

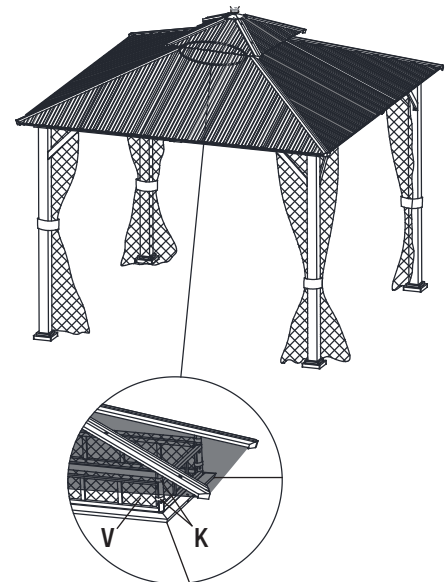


NOTE: To avoid destroying the finish, please handle it with care.



18 Installing the Small Air Vent

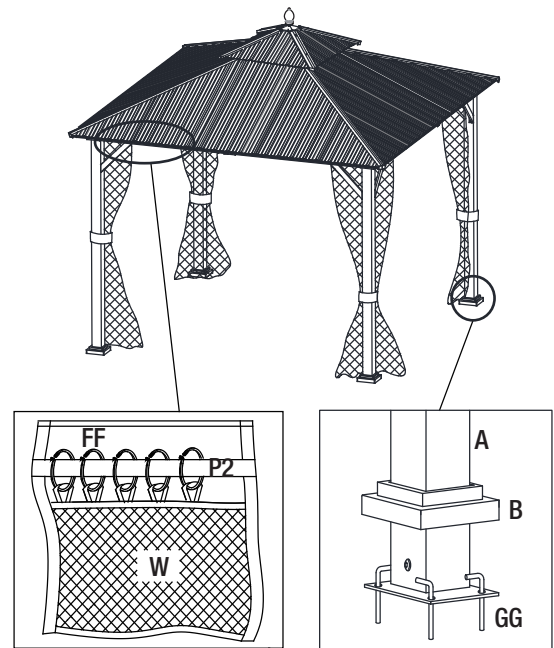
- Put the Air Vent (V) inside of the frame and attach the Air Vent (V) to the Long Top Bar by using the velcro straps.



Operation (continued)

19 Installing the Mosquito Net and Fixing the Gazebo

- Hang the Mosquito Net (W) onto the Sliding Tube (P2) by Plastic Ring (FF).
- Adjust position of gazebo and anchor posts to the ground by inserting the Stakes (GG) into each hole in each Base Plate.

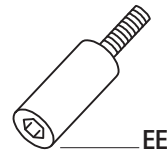
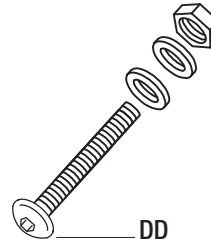
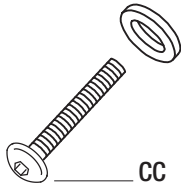
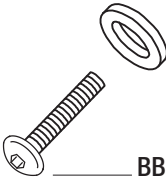
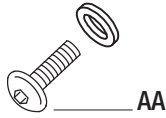


Care and Maintenance

- For cleaning, use a mild detergent solution, rinse with water, and allow to air dry. Do not use acetone, abrasive, or other special detergents as they would be harmful to the product' s finish.
- Due to the nature of steel, surface oxidation (rusting) will occur if this protective coating is scratched. This is a natural process. To minimize this condition, it is recommended that care be taken when assembling and handling the product in order to prevent the paint from being scratched.

Service Parts

MODEL TYPE



Part	Description	Quantity
AA	Bolt\Flat Washer (M6*15)	2
BB	Bolt\Plastic Washer (M6*25)	2
CC	Bolt\Plastic Washer (M6*35)	2
DD	Bolt\Flat Washer\Nut (M6*53)	1
EE	Blot (M6*15)	2
FF	Hanger	2



Questions, problems, missing parts? Before returning to the store,
call Hampton Bay Customer Service
8 a.m. – 7 p.m., EST, Monday – Friday, 9 a.m. – 6 p.m., EST, Saturday

1-855-HD-HAMPTON

HAMPTONBAY.COM

Retain this manual for future use.