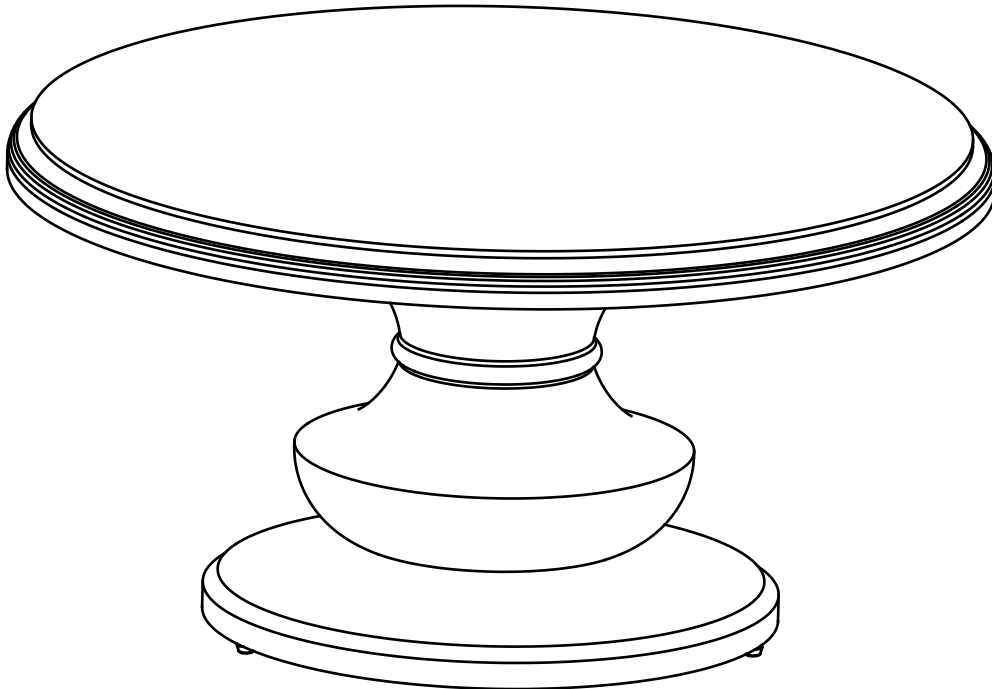




Item #1000 000 000
Model # FG-MEG36CFTBL

USE AND CARE GUIDE

MEGAN 36 IN. ROUND COFFEE TABLE



Questions, problems, missing parts? Before returning to the store,
call Hampton Bay Customer Service
8 a.m. – 7 p.m., EST, Monday – Friday, 9 a.m. – 6 p.m., EST, Saturday

1-855-HD-HAMPTON

HAMPTONBAY.COM

THANK YOU

We appreciate the trust and confidence you have placed in Hampton Bay through the purchase of this coffee table. We strive to continually create quality products designed to enhance your home. Visit us online to see our full line of products available for your home improvement needs. Thank you for choosing Hampton Bay!

Table of Contents

Table of Contents	2	Hardware Included	4
Safety Information	2	Package Contents	5
Warranty	3	Assembly	6
What is Covered	3	Care and Cleaning	7
What is Not Covered	3		
Pre-Assembly	4		
Planning Assembly	4		

Safety Information



DANGER: Please keep children out of the assembly area before and during assembly.



CAUTION: Do not put heavy objects on the table.



IMPORTANT: Please check the tightness of the bolts at least every 90 days.

Warranty

1 YEAR LIMITED WARRANTY

WHAT IS COVERED

We warrant the frame to be free of manufacturing defects to the original purchaser for 1 year. This product is covered under the manufacturer's 1-Year Limited Warranty against defects in materials and workmanship. If your furniture frame fails structurally due to inferior metals or welds during normal use within one year of purchase, the manufacturer will repair or replace the defective piece at no charge. Replacement of missing or initially defective parts will be sent at no charge for a period of 10 days from date of purchase. Warranty is to the original purchaser and is non-transferable. Proof of purchase (dated register receipt) and in some cases, photos of product are required for warranty claims. Lack of original receipt will void the warranty. We reserve the right to make substitutions with similar merchandise, if the model in question is no longer in production.

WHAT IS NOT COVERED

This warranty excludes: furniture used for commercial use, contract or other non-residential purposes, freight damage, furniture damaged by acts of nature, abuse or lack of proper care, vandalism or improper assembly. Discoloration or fading of straps or fabric or finish as a result of chemicals or spills is not covered. Glass, tile, and stone are not covered against breakage; frames and hardware are not covered against corrosion or rusting. Furniture sold "as is", display models and/or clearance items are not covered. In addition, purchased parts are not covered under this warranty. We reserve the right to make substitutions with similar merchandise, if the model in question is no longer in production.

Exclusion also includes time for loss of use, inconvenience, travel, packaging or any other incidental or consequential damages. It remains the customer's responsibility for freight and packaging charges to and from our service center.

Contact the Customer Service Team at 1-855-HD-HAMPTON or visit www.Hamptonbay.com.

Pre-Assembly

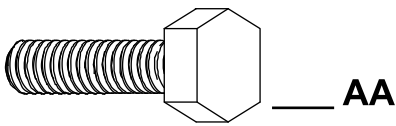
PLANNING ASSEMBLY

It will take one or two people about 20 minutes to complete the assembly process. Assemble this product on a blanket or towel or other soft, non-abrasive surface to avoid scratching the finish.

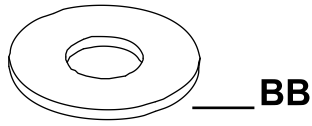
HARDWARE INCLUDED



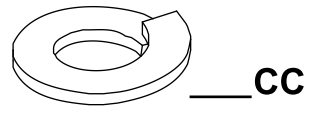
NOTE: Hardware not shown to actual size.



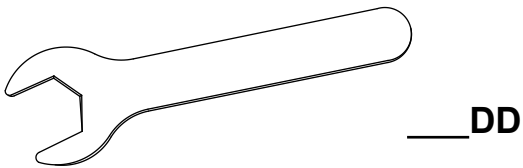
___ **AA**



___ **BB**



___ **CC**

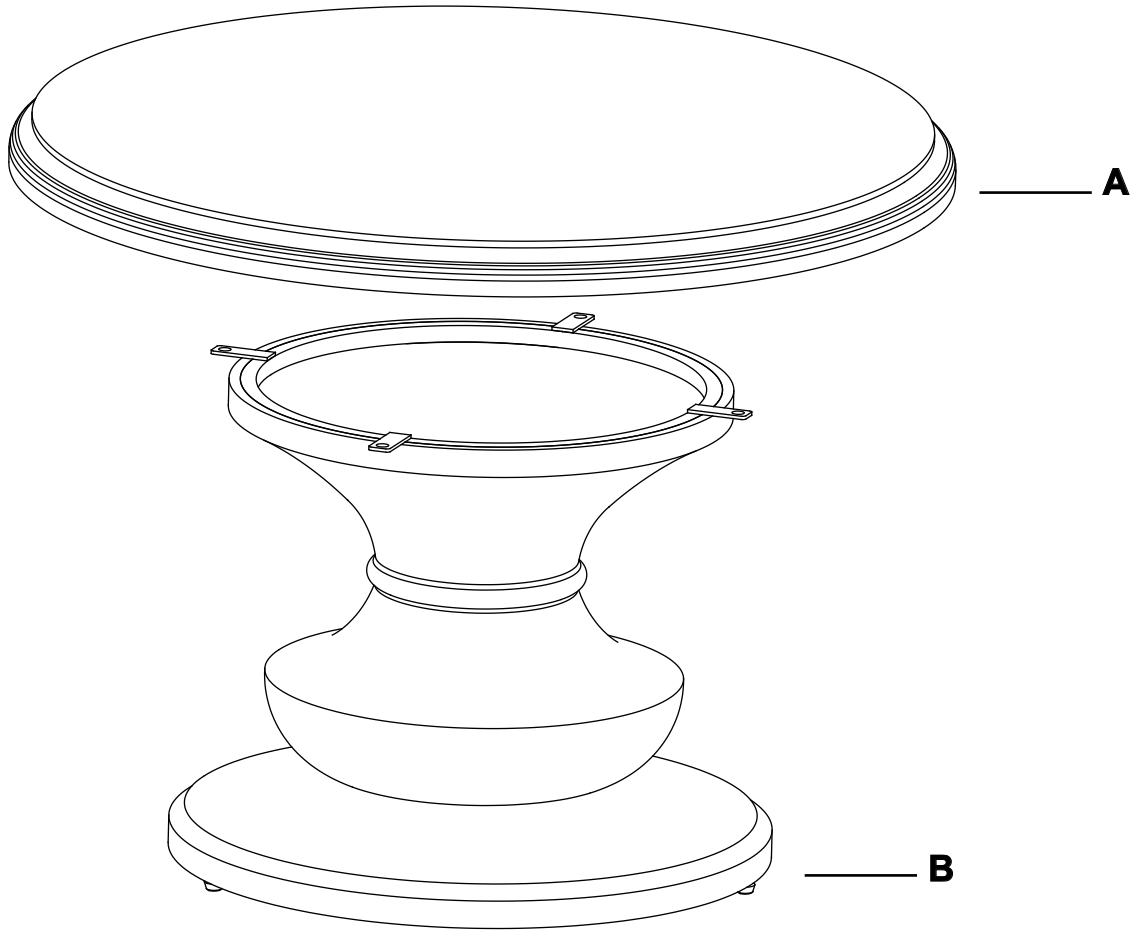


___ **DD**

Part	Description	Quantity
AA	Bolt (5/16 in. x 20 mm)	4
BB	Flat Washer (M8)	4
CC	Lock Washer (M8)	4
DD	Hex Wrench	1

Pre-Assembly (continued)

PACKAGE CONTENTS



Part	Description	Quantity
A	Table Top	1
B	Table Base	1

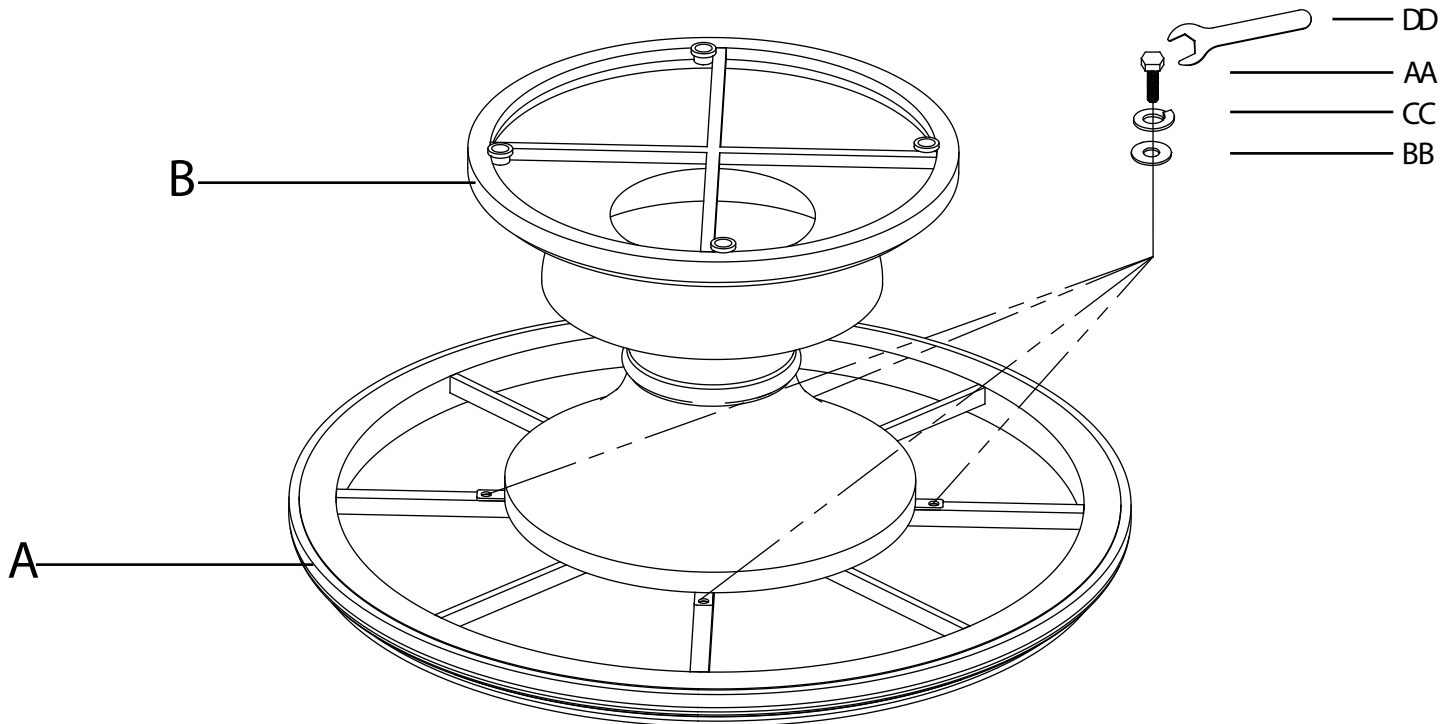
Assembly

1 Assembling the top to the base

- Remove all protective material carefully. Avoid scratching the surface of the frames while removing the packaging material. Carefully place the Table Top (A) on a soft, non-abrasive surface with the underside facing up. Loosely attach the Table Base (B) to the Table Top (A) by aligning the bolt holes and securing with Bolts (AA) through Lock Washers (CC), and Flat Washers (BB) using the Hex Wrench (DD). Once the alignment is correct and all bolts are in place, tighten all Bolts (AA) using the Hex Wrench (DD).
- With the help of another person, carefully turn your table to the upright position and it is ready for enjoyment.



NOTE: Do not tighten bolts completely until the table is fully assembled.



Care and Cleaning

- Clean the table with a soft clean cloth that does not bleed color using mild soap and water solution. Dry completely with a soft towel. To maintain and protect the furniture, always cover it with an outdoor furniture cover or store in a safe dry area when not in use for long periods of time.
- You may contact our customer service department with any questions by phone at 1-855-HD-HAMPTON or visit www.hamptonbay.com.



Questions, problems, missing parts? Before returning to the store,
call Hampton Bay Customer Service
8 a.m. – 7 p.m., EST, Monday – Friday, 9 a.m. – 6 p.m., EST, Saturday

1-855-HD-HAMPTON

HAMPTONBAY.COM

Retain this manual for future use.