

# GDP695SYN/SBM

## GE® Stainless Steel Interior Dishwasher with Hidden Controls

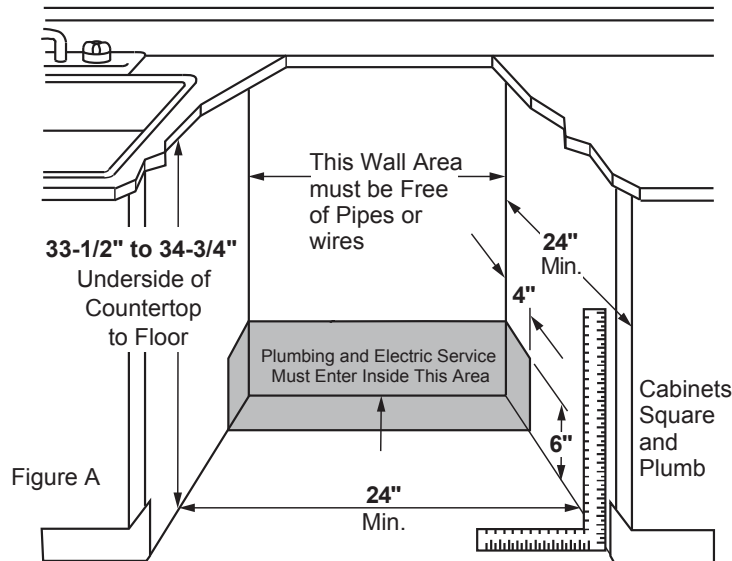
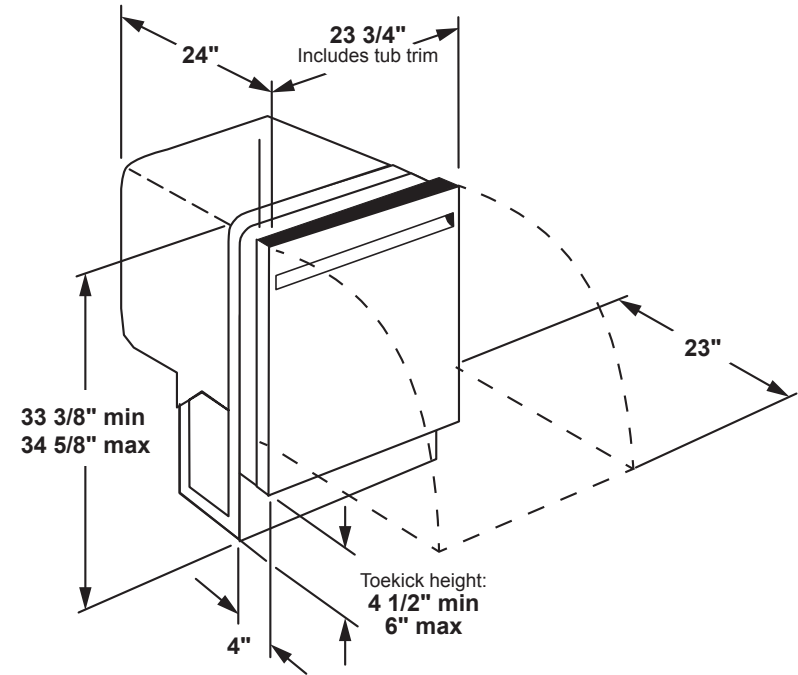
### DIMENSIONS AND INSTALLATION INFORMATION (IN INCHES)

#### ELECTRICAL RATING

Voltage AC.....	120
Hertz.....	60
Total connected load amperage.....	7.2
Calrod® heater watts max.....	800/500

For use on adequately wired 120-volt, 15-amp circuit having 2-wire service with a separate ground wire. This appliance must be grounded for safe operation.

**INSTALLATION INFORMATION:** Before installing, consult installation instructions packed with product for current dimensional data.



For answers to your Monogram, GE Café™ Series, GE Profile™ Series or GE Appliances product questions, visit our website at [geappliances.com](http://geappliances.com) or call GE Answer Center® Service, 800.626.2000.



Listed by  
Underwriters  
Laboratories



As an ENERGY STAR® partner, GE has determined that this product meets the ENERGY STAR guidelines for energy efficiency.

# GDP695SYN/SBM

## *GE® Stainless Steel Interior Dishwasher with Hidden Controls*

### **FEATURES AND BENEFITS**

Third Rack – Easily clean an entire flatware collection, knives and small utensils with an additional rack across the top of the dishwasher

Bottle Jets – Clean hard-to-reach areas inside tall items with up to 4 dedicated jets integrated into the upper rack that shower water deep inside for the ultimate clean

Easy touch adjustable upper rack with 2 Stem Safe shelves – Quickly adjust the upper rack 2 inches up or down to accommodate tall glassware and 10 ½" plates with plenty of room in the bottom rack for large platters and cookie sheets

Piranha™ hard food disposer with removable filter – To ensure consistently clean items, this stainless steel blade rotates at 3,600 RPM to pulverize food particles and helps to prevent large particles from clogging the wash arms

Full-extension smooth-glide upper rack – Loading and unloading is smooth and simple with a durable rack that fully extends on ball bearings

Hidden vent with fan dry – Dishes dry quickly and efficiently with a fan that extracts moisture from the interior

Lower rack multi-position, fold-down tines – Configure racks to fit your dishes with adjustable loading options including multi-position, fold-down tines

Floor Protect – Uncommon leaks can be easily detected and contained

Wash zones – Wash a true half-load in either the upper or lower rack without sacrificing cycles and options available on a full wash

45 dBA – Ultra-quiet operation creates a peaceful kitchen environment even as it delivers powerful wash performance

Black pearl racks with ball tip tines – Offers durability and secures dishes

Model GDP695SYNFS – Fingerprint Resistant Stainless steel

Model GDP695SBMTS – Black Stainless

