

Examine all packaging material for small parts that may have come loose during shipment. Periodic checks are recommended to insure that all components are in proper position, tight and free from damage. Keep this assembly instruction for future reference. Adult assembly is required. The product of Hillsdale Furniture, LLC is designed for residential use only. Customer Service Phone Number: 502-562-0000




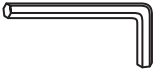


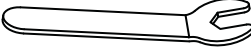
HDFBP

**HARDWARE LIST**

- A (14) M8x50 Allen Bolts
- B (16) Φ8 Spring Washers
- C (20) Φ8 Flat Washers
- D (1) Ø5 Allen Wrench
- E (2) M8x100 Allen Bolts
- F (4) Nuts
- G (1) Open Wrench

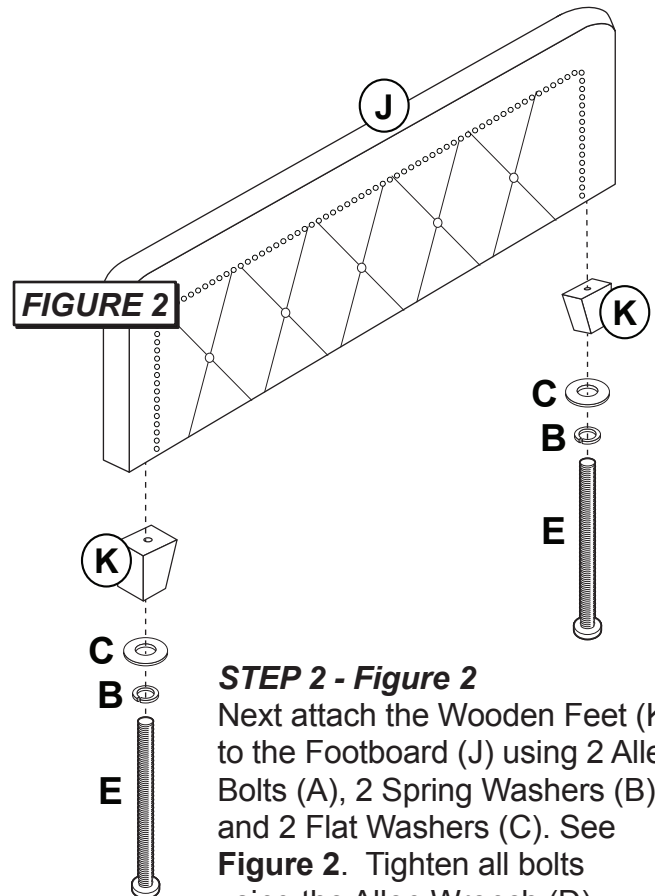
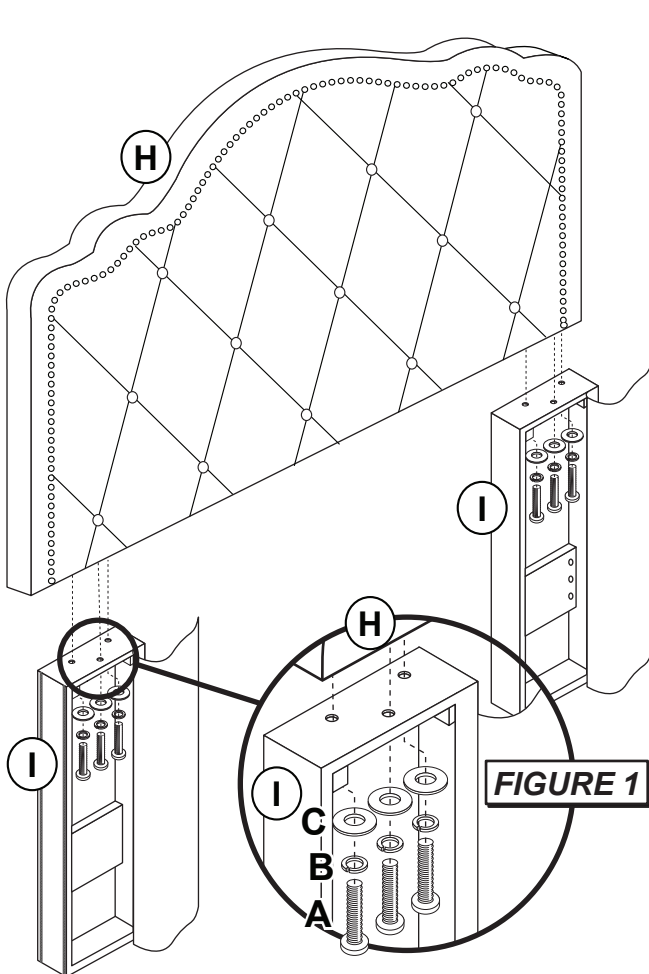
**PARTS LIST**

- H (1) Headboard
- I (2) Headboard Legs
- J (1) Footboard
- K (2) Footboard Feet

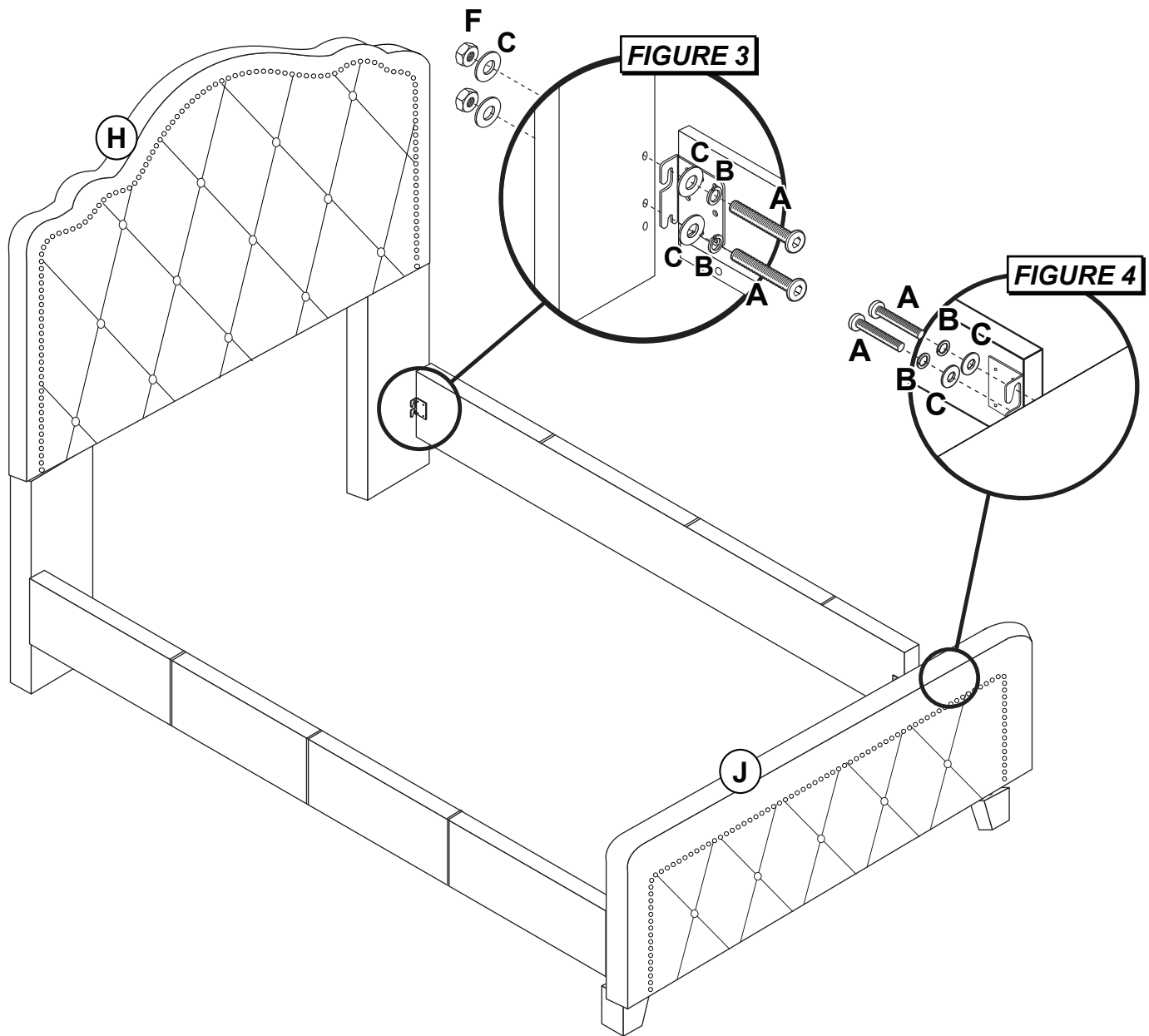
PART	QTY	HARDWARE	PART	QTY	HARDWARE
A	14		B	16	
C	20		D	1	
E	2		F	4	
G	1				

**STEP 1 - Figure 1**

Begin assembly by attaching the Headboard Legs (I) to the bottom of each side of the Headboard (H) using 6 Allen Bolts (A), 6 Spring Washers (B) and 6 Flat Washers (C). Tighten all bolts using the Allen Wrench (D) provided.


**STEP 2 - Figure 2**

Next attach the Wooden Feet (K) to the Footboard (J) using 2 Allen Bolts (A), 2 Spring Washers (B) and 2 Flat Washers (C). See **Figure 2**. Tighten all bolts using the Allen Wrench (D) provided.



**STEP 3 - Figure 3**

Attach Headboard (H) to rails (sold separately) using 2 Allen Bolts (A), 2 Spring Washers (B) and 2 Flat Washers (C) from the inside per side and 2 Flat Washers (C) and 2 Nuts (F) from the outside per side. Tighten all bolts with Allen Wrench (D) provided. Tighten nuts with Open Wrench (G) provided.

**STEP 4 - Figure 4**

Attach Footboard (J) to rails (sold separately) using 2 Allen Bolts (A), 2 Spring Washers (B) and 2 Flat Washers (C) per side. Tighten all bolts with Allen Wrench (D) provided.