

TIDAL BREEZE by *Aire*

A Minka Group Design

READ AND SAVE ALL INSTRUCTIONS



INSTRUCTION MANUAL WARRANTY CERTIFICATE

This product is protected by United States Federal and/or State Law, including Patent, Trademark and/or Copyright laws. Manual design and all elements of manual design are protected by U.S. Federal and/or State Law, including Patent, Trademark and/or Copyright laws.



1151 W. Bradford Court, Corona, CA 92882 • For Customer Assistance Call: 1-800-307-3267



WARRANTY

The Aire warranty is for one (1) year from the date of purchase from an authorized Aire dealer. This warranty is only valid to the original purchaser or user against all defects in material and workmanship (light bulbs excluded) for one (1) full year. Additionally, Aire warrants the motor only for the lifetime of the Aire ceiling fan (excluding wall controls and electrical components), to the original purchaser or user.

- The warranty is void with the use of any non-Aire electrical devices; e.g., wall controls or electrical dimmer switches, etc.
- The warranty is void once the original purchaser or user ceases to own the fan or the fan is moved from its original point of installation.
- The warranty is void with the use of any hanger bracket (non-Aire or non-fan specific) other than the hanger bracket supplied in the box.
- The warranty is void if installed in an environment other than its intended use (Indoor fans installed outdoors or in a covered outdoor patio area, or subjected to environmental conditions: salt air, humidity, direct sun exposure, etc.). Outdoor finishes are specifically excluded from the terms of this warranty since they are subject to environmental and maintenance damages beyond our control.

WARRANTY SERVICE INFORMATION

To obtain warranty service during the warranty period, the purchaser should return the fan with the original sales receipt to the original place of purchase. Replacement is subject to availability of the same model. This is a limited warranty; the original purchaser or user is responsible for the cost of removal and re-installation of repaired or replacement product. Outdoor finishes are specifically excluded from the terms of this warranty since they are subject to environmental and maintenance damages beyond our control.

Fan warranty registration should be mailed as addressed on the warranty card.

Date Purchased _____ Store Purchased _____ Model Number 04661 04662

Serial Number _____

CONTENTS

| | | | |
|-------------------------------|---|--|----|
| SAFETY RULES..... | 4 | FINISHING THE INSTALLATION..... | 10 |
| PACKAGE CONTENTS..... | 5 | INSTALLING THE 14.5W LED ASSEMBLY..... | 11 |
| INSTALLING THE FAN..... | 6 | OPERATING THE REMOTE CONTROL..... | 12 |
| ATTACHING THE FAN BLADES..... | 7 | CARE OF YOUR FAN..... | 13 |
| ATTACHING THE UP HOUSING..... | 7 | TROUBLESHOOTING..... | 14 |
| HANGING THE FAN..... | 8 | SPECIFICATIONS..... | 15 |
| ELECTRICAL CONNECTIONS..... | 9 | | |

SAFETY RULES

1. To reduce the risk of electric shock, ensure electricity has been turned off at the circuit breaker or fuse box before beginning.
2. All wiring must be in accordance with the National Electrical Code “ANSI/NFPA 70-1999” and local electrical codes. Electrical installation should be performed by a qualified licensed electrician.
3. The outlet box and support structure must be securely mounted and capable of reliably supporting a minimum of 35 lbs. Use only UL-listed outlet boxes marked “FOR FAN SUPPORT.”
4. The fan must be mounted with a minimum of 7 ft. clearance from the trailing edge of the blades to the floor.
5. Avoid placing objects in the path of the blades.
6. To avoid personal injury or damage to the fan and other items, be cautious when working around or cleaning the fan.
7. Do not use water or detergents when cleaning the fan or fan blades. A dry dust cloth or lightly dampened cloth will be suitable for most cleaning.
8. After making electrical connections, spliced conductors should be turned upward and pushed carefully up into the outlet box. The wires should be spread apart with the grounded conductor and the equipment-grounding conductor on one side of the outlet box and ungrounded conductor on the other side of the outlet box.
9. All setscrews must be checked and retightened where necessary before installation.
10. Turn the fan off and wait for the blades to stop completely before performing any maintenance or cleaning.

ATTENTION: The Energy Policy Act of 2005 requires this fan to be equipped with a 190 watt limiting device. If lamping exceeds 190 watts, the ceiling fan's light kit will shut off automatically.

NOTE: The important safeguards and instructions appearing in this manual are not meant to cover all possible conditions and situations that may occur. It must be understood that common sense, caution and care are factors which cannot be built into this product. These factors must be supplied by the person (s) installing, caring for and operating the unit.

WARNING

TO REDUCE THE RISK OF FIRE, ELECTRIC SHOCK, OR OTHER PERSONAL INJURY, MOUNT FAN ONLY ON AN OUTLET BOX OR SUPPORTING SYSTEM MARKED ACCEPTABLE FOR FAN SUPPORT OF 35 LBS (15.9 KG) OR LESS AND USE MOUNTING SCREWS PROVIDED WITH THE OUTLET BOX. MOST OUTLET BOXES COMMONLY USED FOR THE SUPPORT OF LIGHTING FIXTURES ARE NOT ACCEPTABLE FOR FAN SUPPORT AND MAY NEED TO BE REPLACED. CONSULT A QUALIFIED ELECTRICIAN IF IN DOUBT.

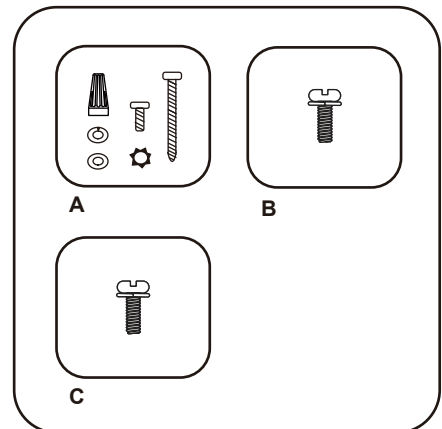
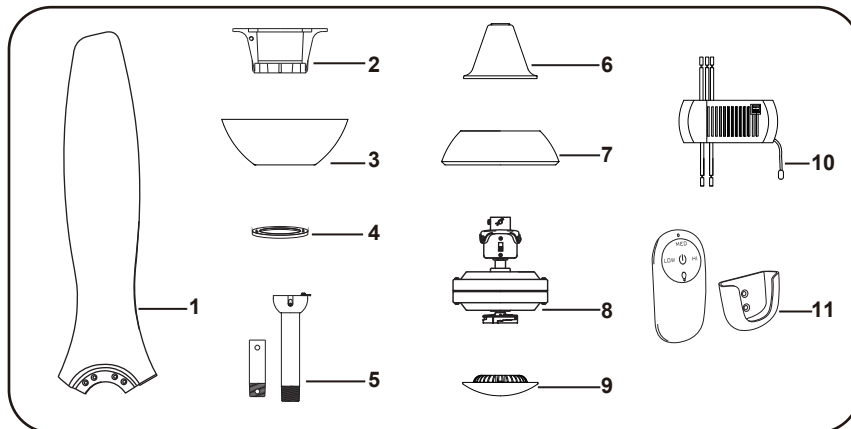
TO REDUCE THE RISK OF PERSONAL INJURY, DO NOT BEND THE BLADE HOLDERS WHILE INSTALLING, BALANCING THE BLADES OR CLEANING THE FAN. DO NOT INSERT FOREIGN OBJECTS BETWEEN ROTATING FAN BLADES.

TO REDUCE THE RISK OF FIRE OR ELECTRONIC SHOCK, THIS FAN ONLY CAN USE DL-1167RYS-02 SOLID-STATE SPEED CONTROL WITH DL-4112S-04 REMOTE CONTROL ONLY.

PACKAGE CONTENTS

Unpack your fan and check the contents. You should have the following items:

1. Fan blades (3)
 2. Hanger bracket
 3. Canopy
 4. Canopy cover
 5. Standard downrod assembly(6")
Minimum-length downrod(4.5")
 6. Coupling cover
 7. Up housing
 8. Fan motor assembly
 9. 14.5W LED assembly
 10. Receiver with 6 wire nuts
 11. Transmitter+holder+2 mounting screws
- A. Mounting hardware:
 - #10 x 1.5" Wood screws (2 PCs.)
 - #8 x 3/4" Machine screws (2 PCs.)
 - Lock washers (2 PCs.)
 - 4mm Star washers (2 PCs.)
 - Wire nuts (3 PCs.)
 - Washers (2 PCs.)
 - B. Blade attachment hardware:
 - 1/4" x 15.8 mm Screws (13 PCs.)
 - C. Up housing attachment hardware:
 - 1/4" x 9.5 mm Screws with lock washers (6 PCs.)



INSTALLING THE FAN

Tools Required: Phillips screw driver; slotted screw driver; step-ladder; wire cutters; electrical tape.

MOUNTING OPTIONS

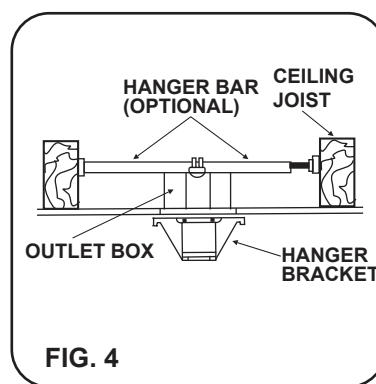
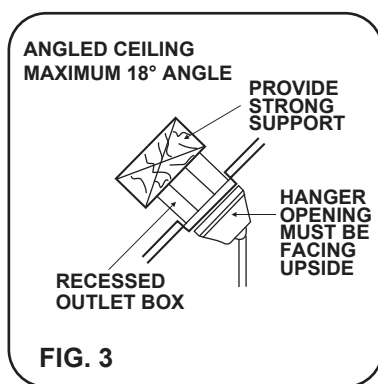
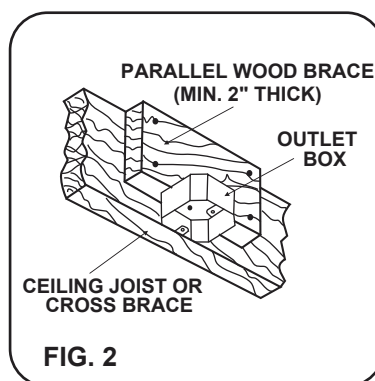
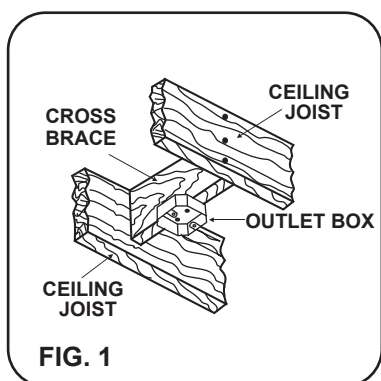
If there isn't an existing mounting box, then read the following instructions. Disconnect the power by removing fuses or turning off circuit breakers.

Secure the outlet box directly to the building structure. Use appropriate fasteners and building materials. The outlet box and its support must be able to fully support the moving weight of the fan (at least 50 lbs.). Use a UL Listed metal outlet box. Do not use a plastic outlet box.

Figure 1, 2 and 3 are examples of different ways to mount the outlet box.

Note: You may need a longer downrod to maintain proper blade clearance when installing on a steep, sloped ceiling. Longer downrods are available from your Aire dealer.

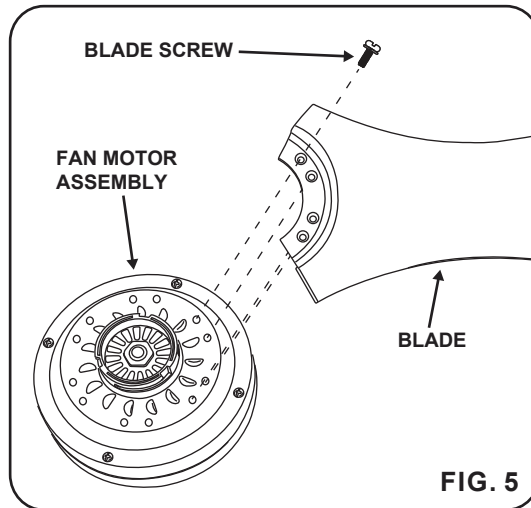
To hang your fan where there is an existing fixture but no ceiling joist, you may need to install a hanger bar as shown in Fig. 4 (available at your Aire dealer).



ATTACHING THE FAN BLADES

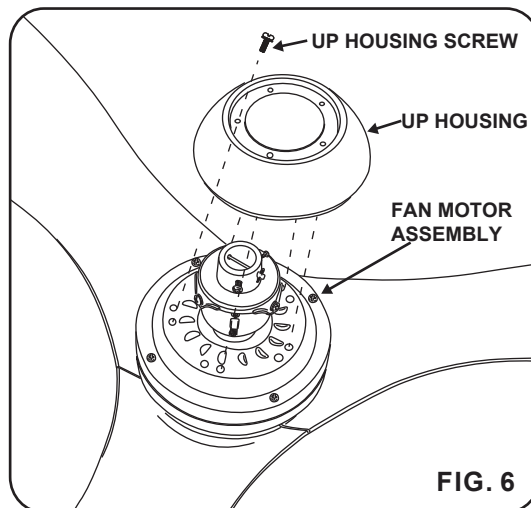
Align the 4 holes from the blade to the fan motor. Secure blade with 4 blade screws with locked washer provided. Follow the same process for the remaining two blades. (Fig. 5)

All blade sets are grouped together by weight.



ATTACHING THE UP HOUSING

Align holes in the up housing and the fan motor assembly, and secure with the screw. Ensure all the screws are tightened. (Fig. 6)



HANGING THE FAN

WARNING: All of the parts, hardware and components such as the hanger bracket and hanger ball have been provided for your safety and the proper installation of your new ceiling fan. The use of other parts, hardware or components not supplied by Aire with the fan will void the Aire Warranty.

REMEMBER to turn off the power. Follow the steps below to hang your fan properly:

Step 1. Secure the Hanger Bracket to the ceiling outlet box using the screws provided with your outlet box in conjunction. (Fig. 7)

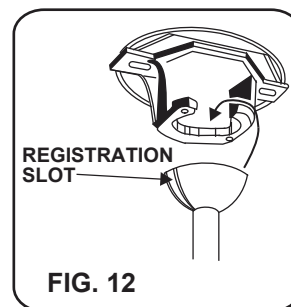
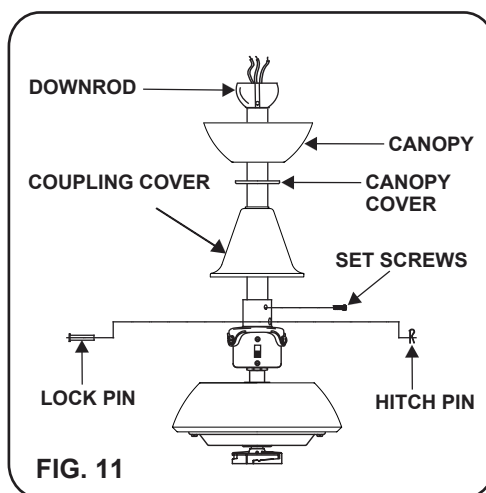
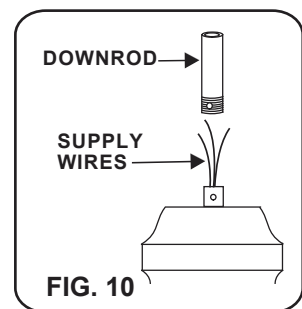
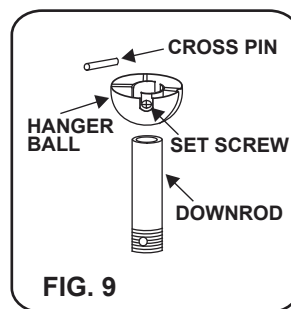
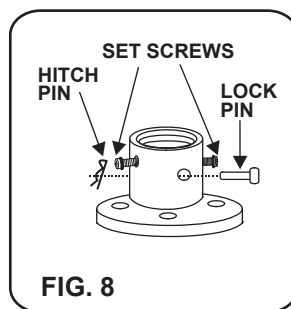
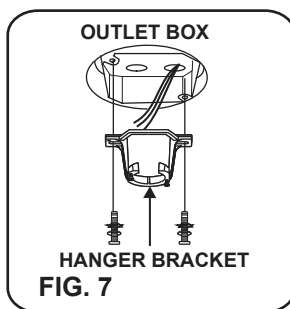
Step 2. Loosen the two Set Screws and remove the Hitch Pin and Lock Pin from the coupling located on the top of the Motor Assembly. (Fig. 8)

Step 3. Remove the Hanger Ball from the Downrod Assembly by loosening the Set Screw and removing the Cross Pin. (Fig. 9)

Step 4. Carefully feed fan wires up through the downrod. (Fig. 10) Thread Downrod into the Coupling until the holes are lined up and secure with the Lock Pin and Hitch Pin previously removed, tighten Set Screws. (Fig. 11)

Step 5. Slip coupling cover, canopy cover and canopy onto downrod. (Fig. 11) Carefully reinstall hanger ball onto rod being sure that cross pin is in correct position, set screws are tighten and wires are not twisted.

Step 6. Lift the Motor Assembly and place the Hanger Ball into the Hanger Bracket. Rotate the Motor Assembly as needed until the check groove from the Hanger Ball rests firmly over the registration tab from the Hanger Bracket. (Fig. 12)



ELECTRICAL CONNECTIONS

WARNING: To avoid possible electrical shock be sure electricity is turned off at the main fuse or breaker box before wiring.

NOTE: This remote control unit is equipped with 16 code combinations to prevent possible interference from or to other remote units. The frequency switches on your receiver and remote control have been preset at the factory. Please recheck to make sure the switches on the remote control and the receiver are set to the same position (Fig. 13). Any combination of settings will operate the fan as long as the switches in the remote control and receiver are set to the same position.

Step 1. Insert Receiver into Hanger Bracket with the flat side of the Receiver facing the ceiling. (Fig. 14)

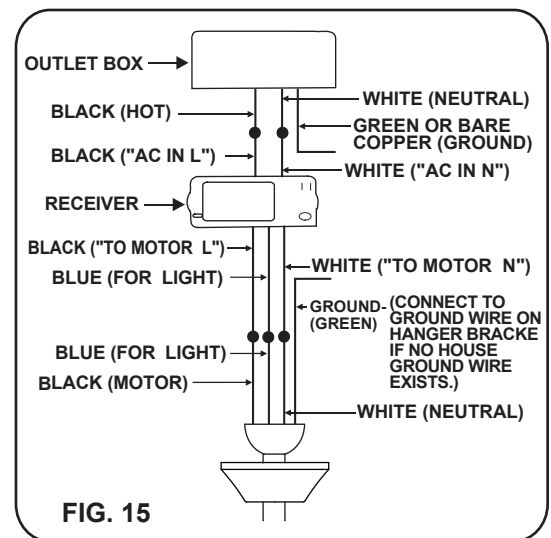
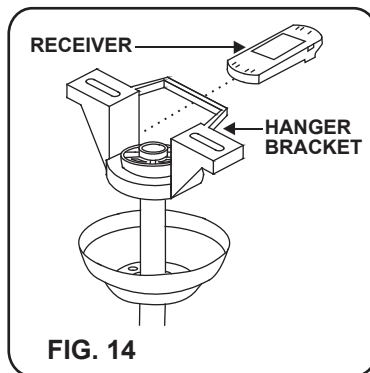
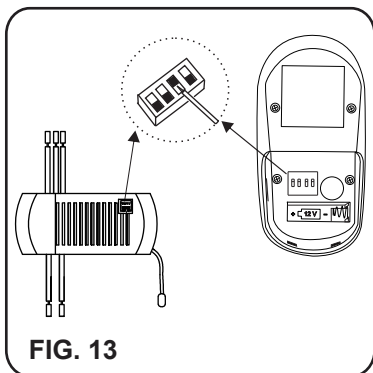
Step 2. Motor to Receiver Electrical Connections: Connect the WHITE wire from the fan to the WHITE wire marked "TO MOTOR N" from the Receiver. Connect the BLACK wire from the fan to the BLACK wire marked "TO MOTOR L" from the Receiver. Connect the BLUE wire from the fan to the BLUE wire marked "FOR LIGHT" from the Receiver. (Fig. 15)

NOTE: Fan must be installed from a maximum distance of 40 feet from the transmitting unit for proper signal transmission between the transmitting unit and the fan's receiving unit.

Step 3. Receiver to House Supply Wires Electrical Connections: Connect the WHITE wire (Neutral) from the outlet box to the WHITE wire marked "AC in N" from the receiver. Connect the BLACK wire (Hot) from the outlet box to the BLACK wire marked "AC in L" from the receiver. Secure all wire connections with the plastic wire nuts provided. (Fig. 15)

Step 4. If your outlet box has a GROUND wire (Green or Bare Copper) connect this wire to the Hanger Ball and Hanger Bracket Ground wires. If your outlet box does not have a Ground Wire, then connect the Hanger Ball and Hanger Bracket Ground Wires together. Secure wire connection with the plastic wire nut provided. (Fig. 15)

After all splices are made, check to make sure there are no loose strands. As an additional precaution we suggest to secure the plastic wire connectors to the wires with electrical tape.



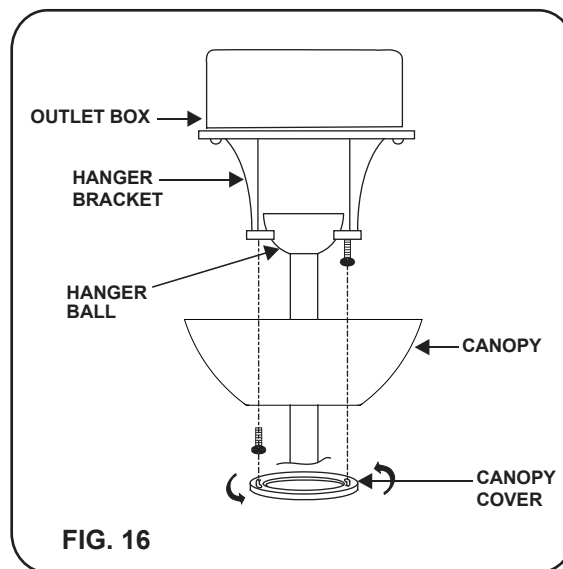
FINISHING THE INSTALLATION

Step 1. Remove 1 of the 2 screws from the bottom of the hanger bracket and loosen the other one half a turn from the screw head. (Fig. 16)

Step 2. Slide the canopy up towards the hanger bracket and place the key hole on the canopy over the screw on the hanger bracket, turn canopy until it locks in place at the narrow section of the key holes.

Step 3. Align the circular hole on canopy with the remaining hole on the hanger bracket, secure by tightening the two set screws.

Note: Adjust the canopy screws as necessary until the canopy and canopy cover are snug.



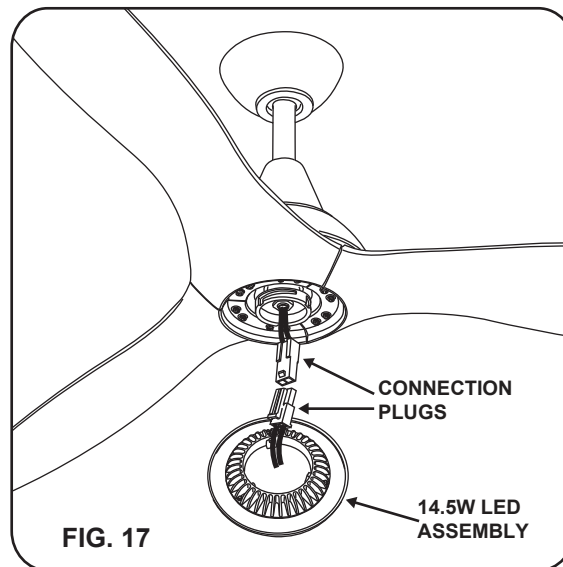
INSTALLING THE 14.5W LED ASSEMBLY

ATTENTION: The Energy Policy Act of 2005 requires this fan to be equipped with a 190 watt limiting device. If lamping exceeds 190 watts, the ceiling fan's light kit will shut off automatically.

Step 1. While holding the 14.5W LED assembly under your fan, firmly snap the wire connection plugs together. (Fig. 17)

Step 2. Attach the 14.5W LED assembly to the switch box by twisting tightly .

Note: This is an integrated LED light kit assembly and cannot be disassembled to prevent electronic shock.



OPERATING THE REMOTE CONTROL

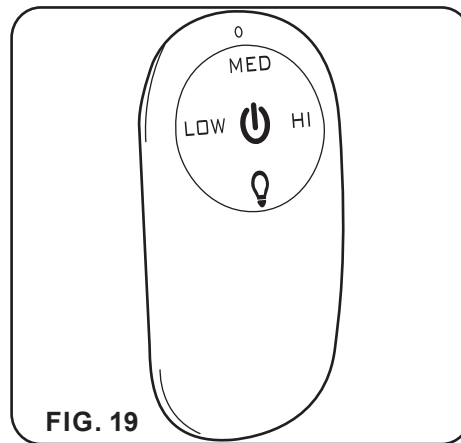
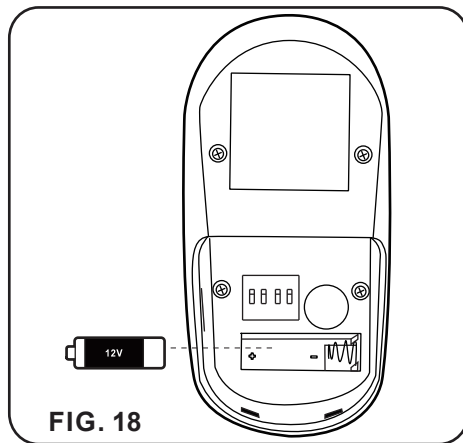
Remote Control only: Install a A23 12 volt battery (included). (Fig. 18) To prevent damage to transmitter remove the battery if not used for long periods of time.

Restore Power to Ceiling Fan.

HI, MED, LOW buttons: Sets the fan speed.

⏻ button: Turns the fan off.

💡 button: Turns the light on or off and also controls the brightness setting. Press and release this button to turn the light on or off. Press and hold the button to set the desired brightness. The light button has an auto-resume, it will stay at the same brightness as the last time it was turned off.



Speed settings for warm or cold weather depend on factors such as room size, ceiling height and number of fans.

The Reverse switch is located on the switch cup. Slide the switch to the Down for warm weather operation. Slide the switch to the Up for cool weather operation.

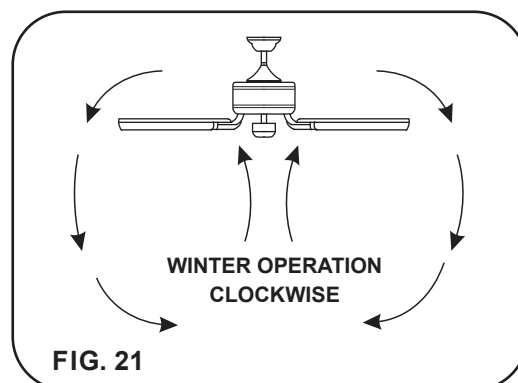
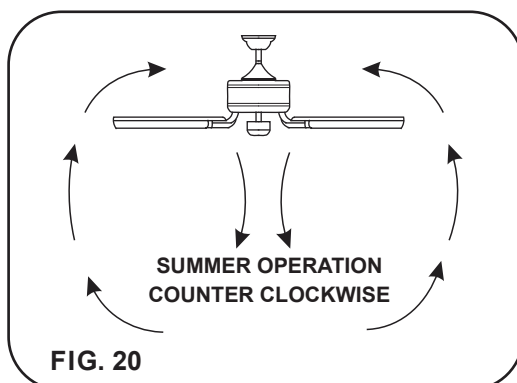
NOTE: Wait for fan to stop before changing the setting of the slide switch.

Warm Weather (forward)

A DOWNWARD airflow creates a cooling effect as shown in Figure 20. This allows you to set your air conditioner on a warmer setting without affecting your comfort.

Cool Weather (Reverse)

An UPWARD airflow moves warmer air off the ceiling area as shown in Figure 21. This allows you to set your heating unit on a cooler setting without affecting your comfort.



CARE OF YOUR FAN

Here are some suggestions to help maintain your fan.

1. Because of the fan's natural movement some connections may become loose. Check the support connections, brackets and blade attachments twice a year. Make sure they are secure. (It is not necessary to remove fan from the ceiling).
2. Clean your fan periodically to help maintain its new appearance over the year. **CAUTION:** many common household cleaning products contain chemicals that could damage the finish of your fan. Use only a soft lint free cloth and soapy water.
3. If your fan is provided with wood veneer blades; you can apply a light coat of furniture polish for additional protection and enhanced beauty. Cover small scratches with a light application of shoe polish.
4. Use a lint free lightly damp cloth or duster to remove dust from the blades.
5. There is no need to oil your fan. The motor has permanently lubricated bearings.
6. If your fan is provided with glass shades, clean with lukewarm soapy water and a soft cloth or sponge. **DO NOT IMMERSE GLASS SHADES IN HOT WATER. DO NOT PUT GLASS SHADES INTO AN AUTOMATIC DISHWASHER.**

WARNING!

MAKE SURE THE POWER IS OFF AT THE ELECTRICAL PANEL BOX BEFORE YOU ATTEMPT ANY REPAIRS. REFER TO THE SECTION, "ELECTRICAL CONNECTIONS".

TROUBLESHOOTING

| SYMPTOM | SOLUTION |
|---|---|
| Fan will not start | <ul style="list-style-type: none">• Check to make sure the wall switch is turned on.• Check circuit fuses or breakers.• Caution! Make sure the power is turned off before performing the following steps.• Remove canopy and check wire connections.• Check wall control transmitter connections (if applicable).• Note: Fan must be installed at a maximum distance of 40 feet from the transmitting unit for proper signal transmission between the transmitting unit and the fan's receiving unit. |
| Fan Sounds Noisy | <ul style="list-style-type: none">• Allow a 24-hour "break in" period. Most noises associated with a new fan will go away during this time.• Make sure the screws that attach the fan blade holder to the motor hub is tight.• Make sure outlet box is secured to building structure, if necessary use the wood screws provided to further secure outlet box to joist.• Make sure hanger bracket is secure to the outlet box, screws are tight. |
| Fan Wobble | <ul style="list-style-type: none">• NOTE: All blade sets are grouped by weight. Because wood and plastic blades vary in density, the fan may wobble even though blades are matched.• Make sure outlet box is secured to building structure, if necessary use the wood screws provided to further secure outlet box to joist.• Make sure hanger bracket is secure to the outlet box, screws are tight.• If a Balancing kit is provided follow the instructions included with the balancing kit to help correct any excessive wobble. |
| Lights shut off and will not come back on | <ul style="list-style-type: none">• This unit is equipped with a wattage limiting device. Lamping in excess of 190 watts will disable your ceiling fan's light kit. To reset your light kit you must turn the power off and re lamp, keeping the wattage under 190 watts. Restore power to your ceiling fan and continue normal operation. |
| Fans/Light Turn On and Off Unexpectedly | <ul style="list-style-type: none">• This is caused by interference, Please see "Frequency interference" for steps to change the frequency. |

SPECIFICATIONS

| Fan Size | Speed | Volts | Amps | Watts | RPM | CFM | N.W. | G.W. | C.F. |
|----------|--------|-------|------|-------|-----|------|------|------|--------|
| 56" | Low | 120 | 0.27 | 15.5 | 69 | 3283 | 7.0 | 8.4 | 1.529' |
| | Medium | 120 | 0.40 | 35.0 | 108 | 5519 | kgs | kgs | |
| | High | 120 | 0.54 | 64.0 | 157 | 6986 | | | |

These are typical readings. Your actual fan may vary. They do not include amps and wattage used by the light(s).

For any additional information about your Minka Aire® Ceiling fan, please write to:



1151 W. Bradford Court, Corona, CA 92882 • For Customer Assistance Call: 1-800-307-3267

TIDAL BREEZE por *Aire* A Minka Group® Design

LEER Y GUARDE TODAS LAS INSTRUCCIONES



MANUAL DE INSTRUCCIONES CERTIFICADO DE GARANTIA

Este producto esta protegido por la Federal de los Estados Unidos y/o del Estado de Derecho, incluyendo patentes, marcas y/o leyes de derecho de autor.

Diseño del manual y todos los elementos del diseño de manual están protegidos por EE.UU. y / o federales del Estado de Derecho, incluyendo patentes, marcas y / o derechos de autor.



1151 W. Bradford Court, Corona, CA 92882 • For Customer Assistance Call: 1-800-307-3267



GARANTÍA

La garantía de Aire es de un (1) año a partir de la fecha de compra de un distribuidor autorizado de Aire. Esta garantía sólo es válida para el comprador original o al usuario contra cualquier defecto de material y mano de obra (focos no incluidos) por (1) año completo. Además, Aire garantiza por vida el motor del ventilador de techo únicamente por vida (con exclusión de los controles de la pared y componentes eléctricos), al comprador original o al usuario.

- La garantía queda anulada con el uso de los equipos eléctricos que no son de Aire, controles de ejemplo, interruptores de pared o interruptores eléctricos regulador, etc.
- La garantía no es válida una vez que el comprador original o el usuario deja de poseer el ventilador o el ventilador se mueve desde su punto de instalación original.
- La garantía es vacía con demandar de cualquier soporte de su suspensión (non-Aire o no abanico específico) además del soporte de suspensión suministrado e instalado con esta abanico específicamente.
- La garantía no es válida si se instala en un entorno que no sea el uso previsto (ventiladores interiores instalados al aire libre o en un patio cubierto al aire libre, osometido a las condiciones ambientales: aire sal, humedad, exposición directa al sol, etc.). Acabados exteriores están específicamente excluidos de los términos de estegarantía ya que están sujetos a los daños ambientales y de mantenimiento fuera de nuestro control.

INFORMACIÓN DE SERVICIO DE GARANTÍA

Para obtener servicio de garantía durante el período de garantía, el comprador debe devolver el ventilador con el recibo original de compra al lugar original de compra. Reemplazo está sujeto a la disponibilidad del mismo modelo. Esta es de una garantía, el comprador original o usuario es responsable por el costo de quitar y reinstalar del producto reparado o reemplazado. Acabados exteriores están específicamente excluidos de los términos de esta garantía, ya que son sujetos a daños ambientales y de mantenimiento fuera de nuestro control.

Registro de la garantía para la banico puede ser enviada por correo ya abordado en la tarjeta de garantía.

Fecha de Compra _____ Tienda Donde Lo Compró _____ Num. De Modelo 04661 04662 _____

Num. De Serie _____

ÍNDICE

| | | | |
|---------------------------------|---|---|----|
| NORMAS DE SEGURIDAD..... | 4 | TERMINANDO LA INSTALACION..... | 10 |
| CONTENIDO DEL PAQUETE..... | 5 | INSTALACIÓN DEL CONJUNTO LED 14.5W..... | 11 |
| COMENZANDO LA INSTALACION..... | 6 | OPERACION DEL CONTROL REMOTO | 12 |
| INSTALACION DE LAS ASPAS..... | 7 | MANTENIMIENTO DE SU VENTILADOR..... | 13 |
| INSTALACION DE LAS CARCASA..... | 7 | SOLUCION DE PROBLEMAS..... | 14 |
| COLGANDO EL VENTILADOR..... | 8 | ESPECIFICACIONES..... | 15 |
| CONEXIONES ELECTRICAS..... | 9 | | |

NORMAS DE SEGURIDAD

1. Precaucion; Para reducir el riesgo de una electrocucion, asegurese de desconectar la corriente electrica sacando los fusibles o apagando el circuito central.
2. ¡Sea Cuidadoso!; Lea el manual de instrucciones y la informacion de las reglas de seguridad antes de comenzar la instalacion de su ventilador. Revise bien los diagramas de ensamble proveidos en este manual.
3. Asegurese que todas las conexiones electricas cumplan con los Codigos Electricos Locales y Nacionales. Si usted no esta familiarizado con la instalacion de alambrados electricos, contrate a un electricista calificado o consulte en un manual de como hacerlo usted mismo.
4. Asegurese que el lugar que escoja para la instalacion del ventilador permita que las aspas giren sin obstruccion. Permita un margen de espacio minimo de 7 pies entre el bordo mas bajo de las aspas y el piso y 18 pulgadas entre las puntas de las aspas y la pared.
5. La caja de distribucion y el soporte de la estructura del edificio deben estar firmemente instalados y capaces de soportar el peso en movimiento del ventilador (minimo de 50 libras). La caja de distribucion debe estar aprobada por UL y marcada "Acceptable for Fan Support" no use cajas de distribucion de plastico.
6. Cuidado; Asegure la abrazadera de montaje utilizando los tornillos proveidos con la caja de distribucion y las arandelas proveidas con el ventilador.
7. Si esta montando el ventilador en una viga, asegurese que pueda soportar el peso del ventilador en movimiento (minimo de 50 libras).
8. Despues de colgar el ventilador asegurese una ves mas que todas las partes esten firmemente apretandas.
9. No inserte ningun objeto entre las aspas cuando el ventilador este en operacion.
10. Apague el ventilador y espere hasta pare por completo antes de proceder con la limpieza o mantenimiento.

ATENCIÓN: La Ley de Póliza Energética de 2005 requiere que este ventilador este equipado con una limitación de 190 vatios dispositivo. Si el uso de luz supere los 190 vatios, el ensamblaje de luz del ventilador de techo se apagará automáticamente.

NOTA: Las importantes reglas de seguridad e instrucciones que aparecen en este manual no significan el cubrimiento de todas las posibles condiciones y situaciones que se puedan presentar. Se debe entender que el sentido comun, precauciones y cuidado son factores que no se pueden incluir en este producto. Estos factores deben de ser suministrados por la(s) persona(s) que instalen, cuiden y operen el ventilador.

ADECUADO PARA USO EN LUGARES HUMEDOS O MOJADOS.

ADVERTENCIA

PARA REDUCIR EL RIESGO DE INCENDIO, DESCARGA ELÉCTRICA O LESIONES FÍSICAS, SÓLO INSTALA EL VENTILADOR EN UNA CAJA ELÉCTRICA O SISTEMA DE SOPORTE APROBADOS PARA VENTILADORES DE 35 LB (15,9 KG) O MENOS, Y USA LOS TORNILLOS DE MONTAJE QUE VIENEN CON LA CAJA ELÉCTRICA. LA MAYORÍA DE LAS CAJAS ELÉCTRICAS COMÚNMENTE USADAS PARA EL SOPORTE DE LÁMPARAS NO SON ACEPTABLES PARA SOPORTE DE VENTILADOR Y PUEDEN NECESITAR UN REEMPLAZO. SI TIENES DUDAS, CONSULTA A UN ELECTRICISTA CALIFICADO.

PARA REDUCIR EL RIESGO DE LESION PERSONAL, NO DOBLE LAS ASPAS DURANTE LA INSTALACION, BALANCEO O LIMPIEZA DE LAS ASPAS. NO INTRODUSCA OBJETOS EXTRAÑOS ENTRE LAS ASPAS MIENTRAS EL VENTILADOR ESTE EN OPERACION MONTE DIRECTAMENTE EN LA ESTRUCTURA DEL EDIFICIO.

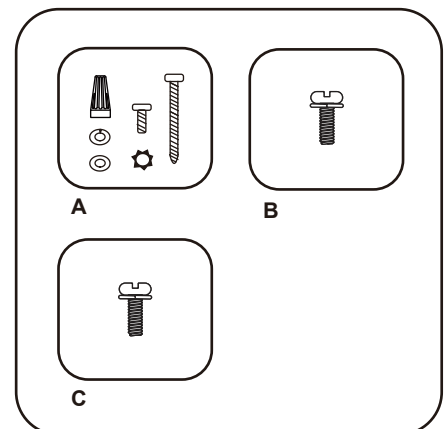
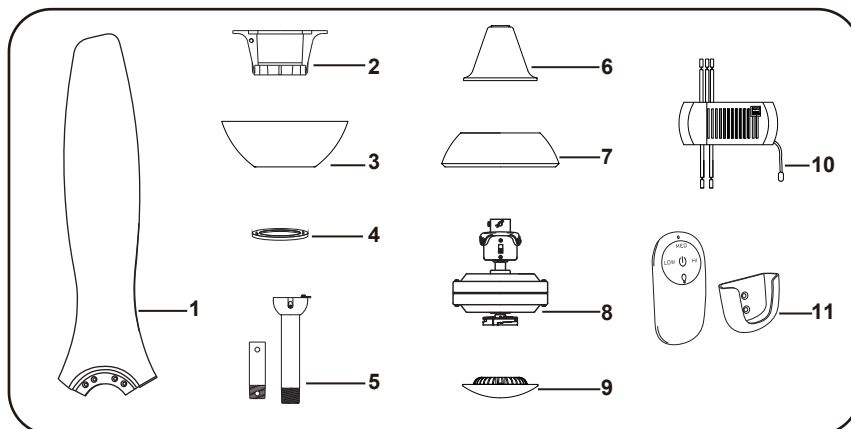
PARA REDUCIR EL RIESGO DE INCENDIO O DESCARGA ELÉCTRICA, ESTE VENTILADOR SÓLO SE PUEDE UTILIZAR DL-1167RYS-02 CONTROL DE VELOCIDAD DE ESTADO SÓLIDO CON DL-4112S-04 CONTROL REMOTO SOLAMENTE.

CONTENIDO DEL PAQUETE

Desempaque su ventilador y verifique el contenido. Usted deberá tener los siguientes artículos:

1. Aspas del Ventilador (2)
2. Soporte de suspensión
3. Dospel
4. Cubierta de dosel
5. Tubo de montaje estándar (6")
Tubo de montaje de longitud mínima (3.5")
6. Cubierta de acoplamiento
7. Carcasa
8. Conjunto de motor de ventilador
9. Conjunto LED 14.5W
10. Receptor con 6 tuercas de alambre
11. Transmisor + sujetador + 2 tornillos de montaje

- A. Hardware de montaje:
Tuercas de alambre (3)
#8x3/4" Tornillos de la máquina (2)
#10x1.5" Tornillos de madera (2)
Arandelas de seguridad (2)
Arandelas de estrella (2)
Arandelas de metálica (2)
- B. Partes para la instalación de las aspas:
1/4" x15.8mm Tornillos con arandelas de seguridad (13)
- C. Partes para la instalación de las carcasa:
1/4" x9.5mm Tornillos con arandelas de seguridad (6)



COMENZANDO LA INSTALACION

Herramientas Necesarias: Desarmador de cruz, desarmador plano, cortadoras de alambre y cinta aislante.

OPCIONES DE MONTAJE

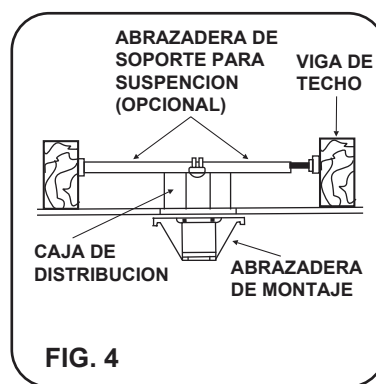
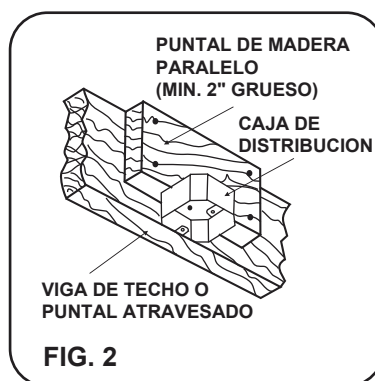
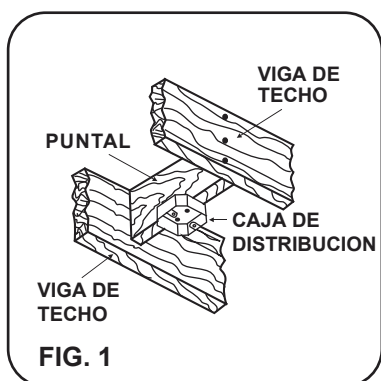
Si no existe una caja de distribución instalada, siga las siguientes instrucciones. Desconecte la energía eléctrica apagando los interruptores del circuito o sacando los fusibles.

Asegure la abrazadera de montaje directamente de la viga del techo por medio de los agujeros de la caja de distribución. La viga del edificio y sus soportar todo el peso en movimiento del ventilador.

Las ilustraciones 1, 2 y 3 muestran alternativas diferentes para montar la caja de distribución.

NOTA: Podría necesitar un tubo de montaje de mayor longitud para obtener el espacio libre apropiado para las aspas, cuando haga la instalación en un techo con declive. Su distribuidor Aire tiene a su disposición tubos de montaje más largos.

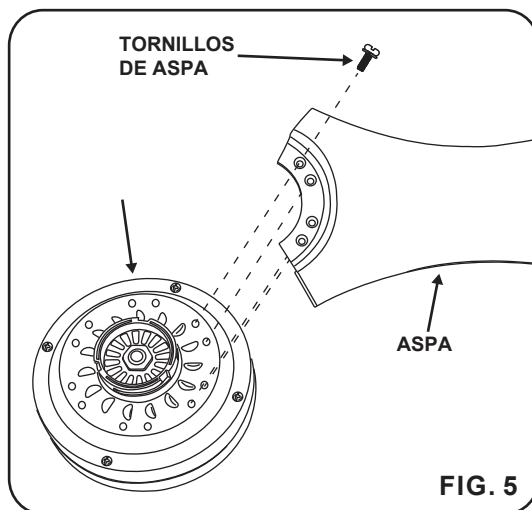
Para colgar su ventilador donde anteriormente había una lámpara pero no hay viga, podría necesitar instalar una abrazadera de soporte como se muestra en la ilustración 4 (Disponible con su distribuidor Aire).



INSTALACION DE LAS ASPAS

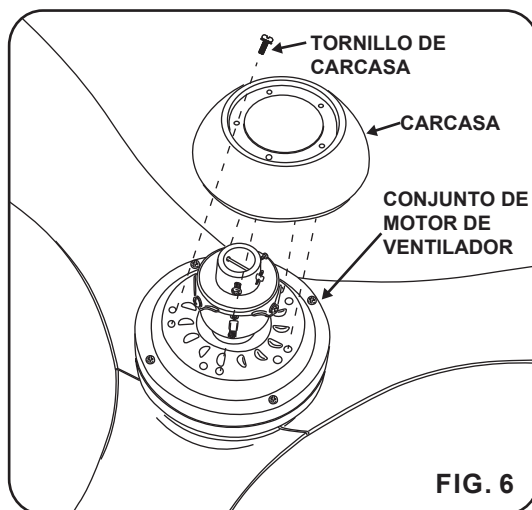
Alinee los 4 agujeros de la aspa para el motor del ventilador. Asegure las aspas con los 4 tornillos de la cuchilla con la arandela cerrada siempre. Siga el mismo proceso para la otras dos aspas. (Fig. 5)

Todas las aspas estan agrupadas por peso.



INSTALACION DE LAS CARCASA

Alinear los agujeros en el carcasa y el juego de ensamblaje del motor del ventilador, y fije por el tornillo al motor. Asegúrese de que todos los tornillos están bien apretados. (Fig. 6)



COLGANDO EL VENTILADOR

ADVERTENCIA: Todas las partes, equipos y componentes, tales como el soporte de la percha y percha de bolas han sido proveídos para su seguridad y la correcta instalación de su nuevo ventilador de techo. El uso de otras partes, equipos o componentes no suministrados por Aire con el ventilador anulara la Garantía de Aire.

RECORDAR: Apagar la energía eléctrica en el circuito principal o en la caja de fusibles.

Paso 1. Asegure la abrazadera a la caja de distribución del techo usando los tornillos incluidos con la caja de distribución y las arandelas incluidas con el ventilador. (Fig. 7)

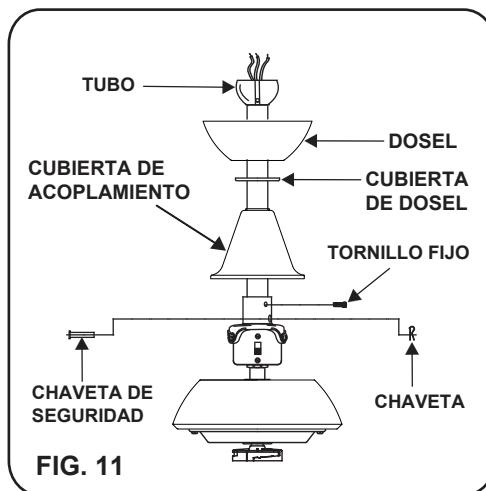
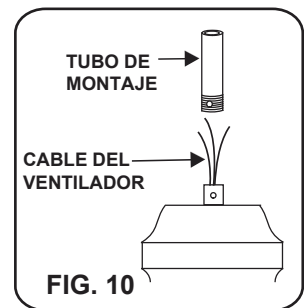
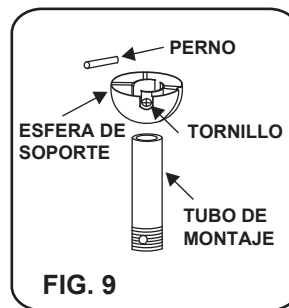
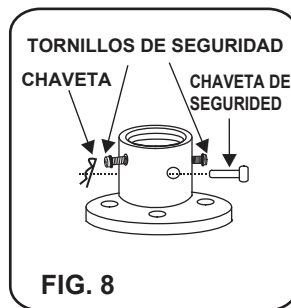
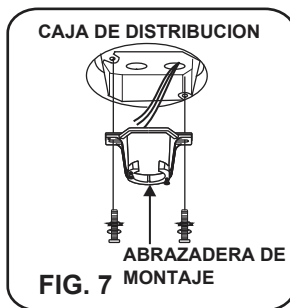
Paso 2. Afloje los tornillos fijos de la parte superior de la conexión del ensamblaje del motor y quite la chaveta de seguridad y la chaveta. (Fig. 8)

Paso 3. Afloje el tornillo fijo de la esfera de soporte y saque el perno y la esfera de soporte del tubo de montaje. (Fig. 9)

Paso 4. Meta cuidadosamente los alambres del ventilador hacia arriba a través del tubo de montaje. Atornille el tubo de montaje sobre el collarín hasta que los agujeros del tubo de montaje y el collarín queden alineados. Re-instale la chaveta y la chaveta de seguridad. Apriete bien los tornillos fijos con un desarmador de cruz. (Fig. 10)

Paso 5. Delize la cubierta del collarín sobre el tubo de montaje seguida por la cubierta y la esfera de soporte. Instale el perno y apriete el tornillo fijo de la esfera de soporte. (Fig. 11)

Paso 6. Levante el ensamblaje del motor y coloque la esfera de soporte dentro de la abrazadera de montaje, gire el ensamblaje del motor hasta que la ranura de la esfera de montaje sienta sobre estria de la abrazadera de montaje. (Fig. 12)



CONEXIONES ELECTRICAS

RECORDAR: Apagar la energia electrica en el circuito principal o en la caja de fusibles.

NOTA: Esta unidad de control remoto tiene 16 combinaciones de códigos para evitar posibles interferencias con otras unidades de control remoto. Los interruptores de frecuencia en tu receptor y control remoto han sido preconfigurados en la fábrica. Revisa para asegurarte que los interruptores del control remoto y el receptor estén configurados en la misma posición (Fig. 13). Cualquier combinación operará el ventilador mientras el control remoto y el receptor estén configurados en la misma posición.

Paso 1. Instale el receptor en la abrazadera de montaje, el lado plano debe quedar hacia arriba. (Fig. 14)

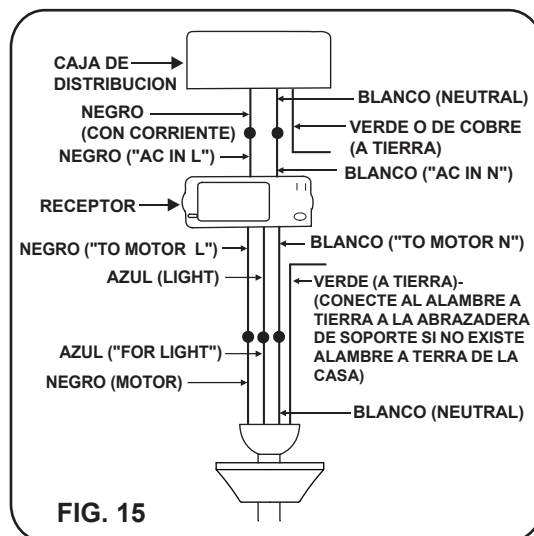
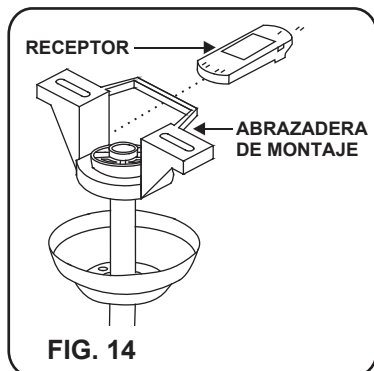
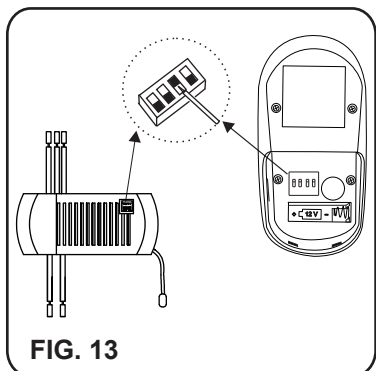
Paso 2. Haga las conexiones del motor al receptor de la manera siguiente; Conecte el Alambre Blanco del ventilador al alambre Blanco marcado "TO MOTOR N" del Receptor. Conecte el Alambre Negro del ventilador al alambre Negro marcado "TO MOTOR L" del Receptor. Conecta el cable Azul del ventilador al cable Azul marcado como "FOR LIGHT" (Para la Luz) del receptor. (Fig. 15)

NOTA: La distancia maxima para una recepcion apropiada entre el receptor del ventilador y el transmisor so 40 pies. Asegurese que su ventilador sea instalado no mas de 40 pies de distancia del transmisor.

Paso 3. Haga las conexiones de la caja de distribucion a el Receptor de la manera siguiente; Conecte el Alambre blanco (neutral) de la caja de distribucion al alambre blanco marcado "AC in N" del receptor. Conecte el Alambre Negro (corriente) de la caja de distribucion al alambre Negro marcado "AC in L" del Receptor. Asegure las conexiones con los conectores de plastico proveidos. (Fig. 15)

Paso 4. Si su caja de distribucion tiene un alambre a tierra (verde o cobre) conectelo a los alambres a tierra (verdes) de la Esfera de Soporte y la Abrazadera de Montaje. Si su caja de distribucion no tiene un alambre a tierra, entonces unicamente conecte los dos alambres a tierra de la Esfera de Soporte y la Abrazadera de Montaje. Asegure la conexion con un conector de plastico proveido. (Fig. 15)

Despues de terminar las conexiones del alambrado, revise que no haiga hebras de alambre sueltas. Como una precaucion mas, sugerimos que asegure los conectores de plastico a los alambres usando cinta aislante electrica.



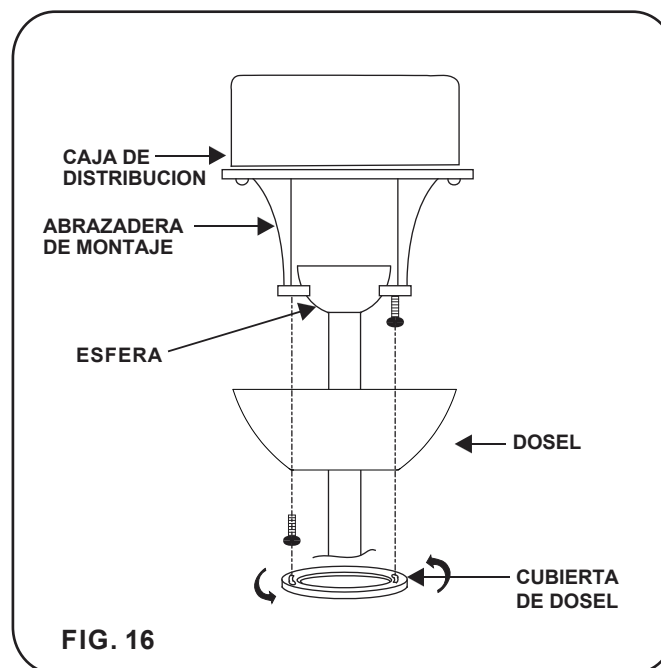
TERMINANDO LA INSTALACION

Paso 1. Quite 1 de los 2 tornillos de la parte inferior del soporte de suspensión y afloje el otro una media vuelta de la cabeza del tornillo.

Paso 2. Deslice la dosel hacia el soporte para colgar y colocar el ojo de la cerradura en la copa sobre el tornillo en el soporte colgante, de vuelta a la dosel hasta que encaje en su lugar en la parte más estrecha de los agujeros. (Fig. 16)

Paso 3. Alinee el agujero circular de la dosel con el otro orificio en el soporte colgante, asegure apretando los dos tornillos de fijación.

NOTA: Ajuste los 2 tornillos de la dosel segun sea necesario para que la dosel y el cubierta de dosel queden ajustados.



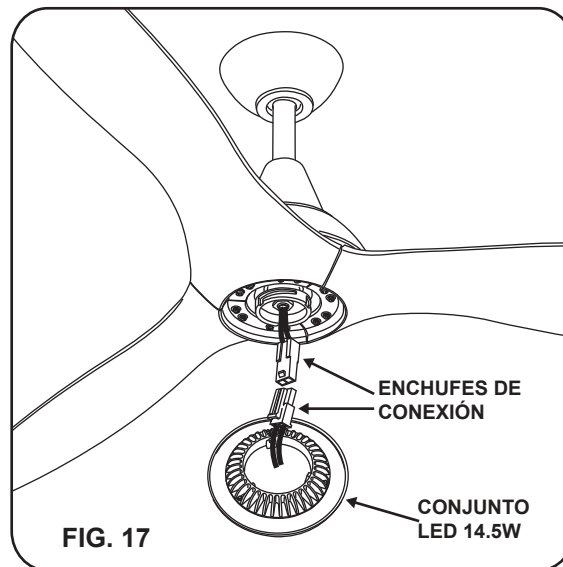
INSTALACIÓN DEL CONJUNTO LED 14.5W

ATENCIÓN: La Ley de Póliza Energética de 2005 requiere que este ventilador este equipado con una limitación de 190 vatios dispositivo. Si el uso de luz supere los 190 vatios, el ensamblaje de luz del ventilador de techo se apagará automáticamente.

Paso 1. Sosteniendo la conjunto LED 14.5W bajo el ventilador, se encajan las clavijas de conexión de cables. (Fig.17)

Paso 2. Coloque la conjunto LED 14.5W a la placa caja del interruptor, y lo gitando con fuerza. (Fig.17)

Nota: Lo que trata es de un ensamblaje del juego de luz LED integrado y no se puede desmontar para evitar el choque eléctrico.




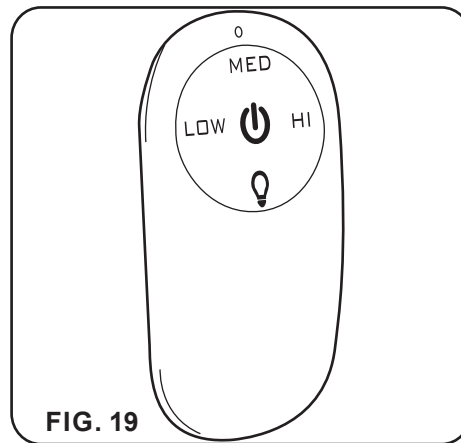
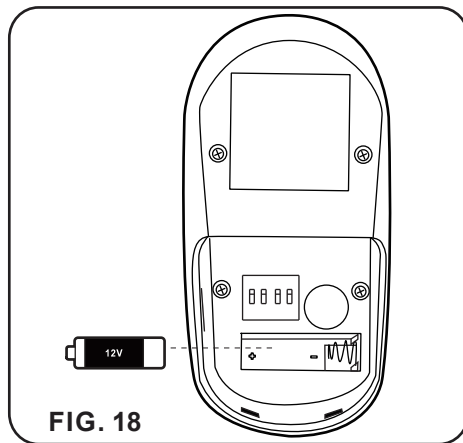
OPERACION DEL CONTROL REMOTO

Control Remoto Unicamente: Instale una batería A23 de 12 voltios (incluida). (Fig. 18) Para prevenir dano al Control Remoto remueva la batería si no lo piensa usar por un largo periodo de tiempo.

Los bottones HI, MED, LOW: Establece la velocidad del ventilador.

Boton OFF : Apaga el ventilador.

El boton  : Es para prender y apagar la luz, tambien se usa para controlar la intensidad de la luz. Apriete y sostenga el boton hasta obtener la intensidad de luz deseada. La luz cambiara continuamente entre intensidad y oscuridad mientras que el boton esté presionado. El boton de la luz está equipado para resumir con la misma intensidad de luz que se uso la ultima ves.



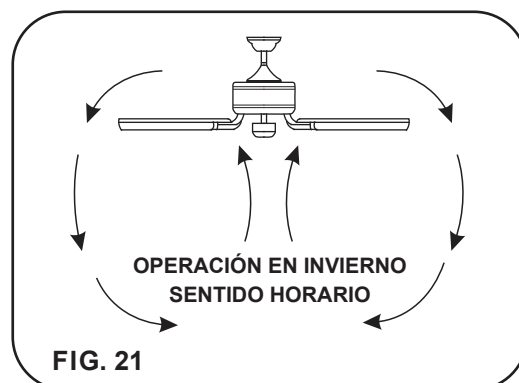
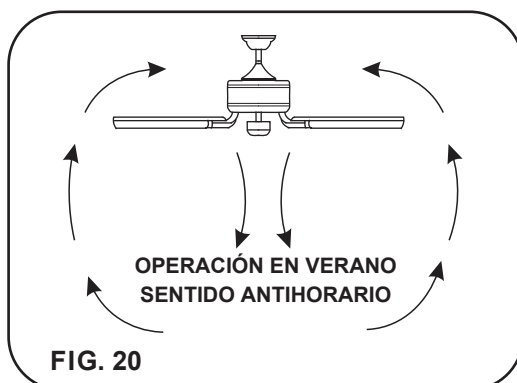
Los ajustes de velocidad o direccion de las aspas en clima calido o frio dependen de factores como el tamaño del cuarto, la altura del techo y la cantidad de ventiladores.

El Interruptor de Reversa está ubicado en la superficie de la carcasa del motor. Desliza el interruptor hacia a la izquierda para funcionamiento en clima cálido. Desliza el interruptor hacia a la derecha para funcionamiento en clima fresco.

NOTA: espere a que el ventilador pare de girar antes de cambiar la direccion de las aspas.

Clima Caliente: Una corriente de aire descendiente crea un efecto refrescante como se muestra en la Fig. 20. esto permite ajustar el aire acondicionado a un a temperatura mas alta sin que esto afecte su bienestar.

Clima Frio: Una corriente de aire ascendiente empuja el aire caliente del area del techo como se muestra en la Fig. 21 esto permite ajustar la calefaccion a una temperature mas baja sin que esto afecte su bienestar.



MANTENIMIENTO DE SU VENTILADOR

Las siguientes son sugerencias que le ayudaran en el mantenimiento de su ventilador.

1. Debido al movimiento natural del ventilador, es posible que algunas de las conexiones se aflojen o suelten. Revise las conexiones que sostienen el ventilador, las abrazaderas y aspas por lo menos dos veces al año. Asegurese que todas las conexiones siempre estén firmes y apretadas. (No es necesario bajar el ventilador del techo).
2. Limpie periodicamente su ventilador para que mantenga su apariencia de nuevo durante muchos años. **CUIDADO:** muchos productos de limpieza comunmente usados en la casa contienen quimicas que podrian dañar el terminado de su ventilador. Use un trapo suave que no deje pelusa y agua jabonosa.
3. Si su ventilador incluye aspas enchapadas de madera natural, puede aplicar una capa ligera de lustra muebles para proteccion y para aumentar la belleza. Cubra las rayaduras pequenas con una ligera aplicacion de pasta para zapatos.
4. Use solamente un cepillo suave o un trapo que no suelte pelusa para evitar que se dañe el terminado.
5. No necesita aceitar su ventilador. El motor tiene baleros con lubricacion permanente.
6. Si su ventilador incluye pantallas de vidrio, limpielas usando agua tibia jabonosa y un trapo suave o una esponja. **NO SUMERJA EL VIDRIO EN AGUA CALIENTE, NO PONGA EL VIDRIO EN LA LAVADORA AUTOMATICA PARA LAVAR PLATOS.**

ADVERTENCIA

ASEGURESE QUE LA ENERGIA ELECTRICA ESTE APAGADA ANTES DE INTENTAR HACER QUALQUIER REPARACION. REFIERACE A LA SECCION "CONEXIONES ELECTRICAS".

SOLUCION DE PROBLEMAS

| PROBLEMA | SOLUCIÓN |
|---|--|
| El ventilador no arranca | <ul style="list-style-type: none">• Revise que el interruptor de la pared este prendido.• Revise los interruptores o los fusibles• RECUERDE: Apagar la energía eléctrica. Las aspas deben de estar instaladas.• Quite la cubierta y revise las conexiones eléctricas• Revise las conexiones del Transmisor de pared si esta incluido con su ventilador.• NOTA: La distancia máxima para una recepción apropiada entre el receptor del ventilador y el transmisor son 40 pies. Asegurese que su ventilador sea instalado no mas de pies de distancia del transmisor. |
| El ventilador hace mucho ruido | <ul style="list-style-type: none">• Permita un "periodo de gracia" de 24 horas. La mayoría de los ruidos asociados con un ventilador nuevo desaparecen durante este periodo.• Revise que todos los tornillos del ensamblaje del motor esten apretados.• Asegurese que la caja de distribución este firme y bien asegurada a la estructura del edificio. Si es necesario use los tornillos para madera incluidos para asegurar mas aun la caja de distribución.• Asegurese que la abrazadera de montaje este firme y bien asegurada a la caja de distribución. |
| El ventilador tambalea | <ul style="list-style-type: none">• NOTA: Todos los juegos de aspas estan agrupados por peso. Debido a que las aspas hechas de madera o plastico varian en densidad, puede que el ventilador tiemble aunque las aspas tengan el mismo peso.• Asegurese que la caja de distribución este firme y bien asegurada a la estructura del edificio. Si es necesario use los tornillos para madera incluidos para asegurar mas aun la caja de distribución.• Asegurese que la abrazadera de montaje este firme y bien asegurada a la caja de distribución.• Si el juego de balanceo fue proporcionada siga las instrucciones que se incluyen con el juego para ayudar a corregir el balanceo excesivo. |
| Las luces se apagaron | <ul style="list-style-type: none">• Esta unidad está equipada con un dispositivo de limitación de vatios. Uso de vatios en exceso de 190 inhabilitara su ensamblaje de luz del ventilador. Para restablecer la luz desconecte la corriente y corrija el uso de vatios. Restaure la corriente a su ventilador de techo y continúe el funcionamiento normal. |
| El ventilador o lampara se prenden repentinamente | <ul style="list-style-type: none">• This is caused by interference, Please see "Frequency interference" for steps to change the frequency. |

ESPECIFICACIONES

| Tamaño del ventilador | Velocidad | Voltios | Amperios | Vatios | RPM | CFM | N.W. | G.W. | C.F. |
|-----------------------|-----------|---------|----------|--------|-----|------|------|------|--------|
| 56" | Baja | 120 | 0.27 | 15.5 | 69 | 3283 | 7.0 | 8.4 | 1.529' |
| | Mediana | 120 | 0.40 | 35.0 | 108 | 5519 | kgs | kgs | |
| | Alta | 120 | 0.54 | 64.0 | 157 | 6986 | | | |

Estas son medidas típicas. Su ventilador puede variar. Estas medidas no incluyen el amperaje o vatios que consumen la lámpara(s).

Para más información sobre su Ventilador de Minka Aire® escriba:



1151 W. Bradford Court, Corona, CA 92882 • For Customer Assistance Call: 1-800-307-3267