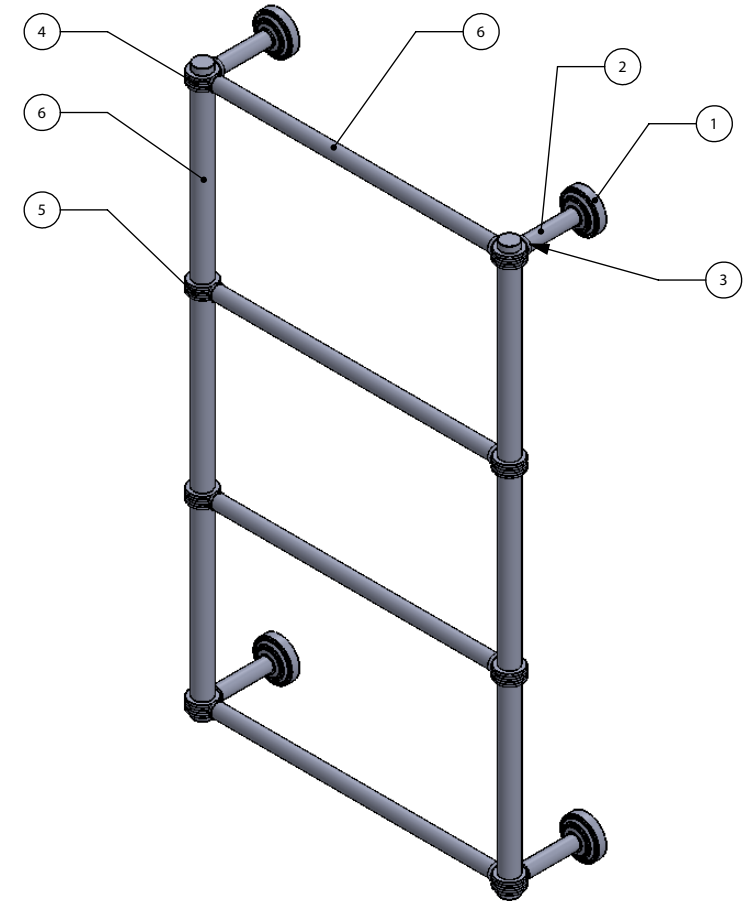
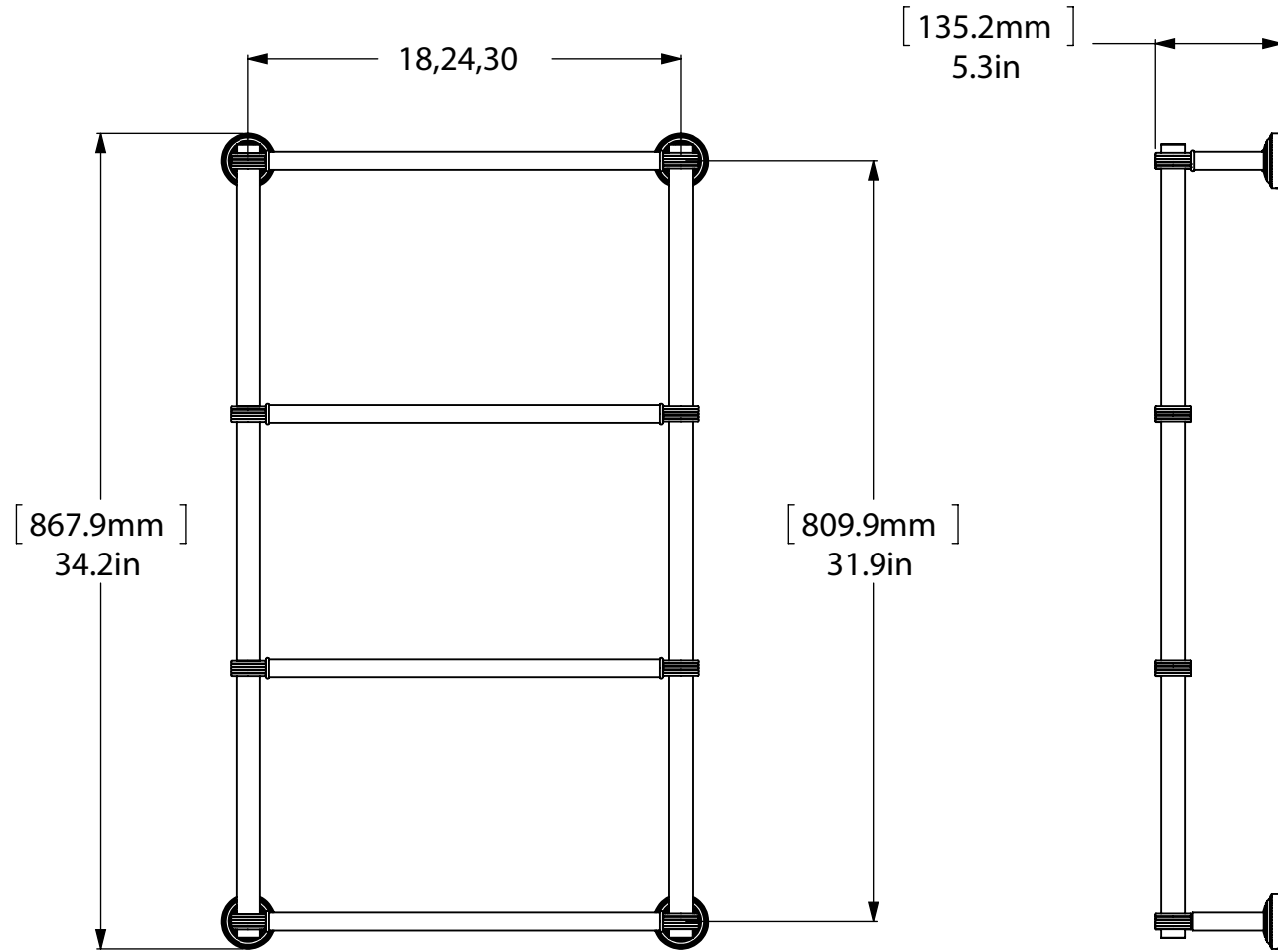
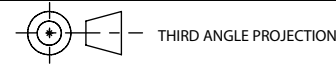


| ITEM NO. | P/N | Description | QTY. |
|----------|---------------|-------------|------|
| 1 | BPDT | BACKPLATE | 4 |
| 2 | TU34-3 | POST | 4 |
| 3 | CRRD-34 | CHECK RING | 20 |
| 4 | RGGV | HUB | 4 |
| 5 | RGGVT | HUB | 4 |
| 6 | TU1-10 | TUBE | 6 |
| 7 | TU34-18,24,30 | BAR | 4 |



| UNLESS OTHERWISE STATED | |
|-------------------------|---------|
| .X | ±.3mm |
| .XX | ±.15mm |
| .XXX | ±.008mm |

COPYRIGHT © Allied Brass 2017



| | | | | | | |
|----------|---------|-----|--------------------------------------------------|---------------------------------------------------------------------------------------|-------------|--------------|
| DRAWN | 8-17-17 | I.M | MATERIAL: | BRASS | FINISH | TBD |
| CHECKED | 8-17-17 | P.D | DESCRIPTION: |  | QUANTITY | TBD |
| APPROVED | 8-17-17 | R.A | Dottingham Collection 4 Tier Ladder Towel Bar | | DRAWING No. | REV |
| | | | | | DT-28G | 0 |
| | | | | SCALE | 1:8 | SHEET: 01 A4 |