

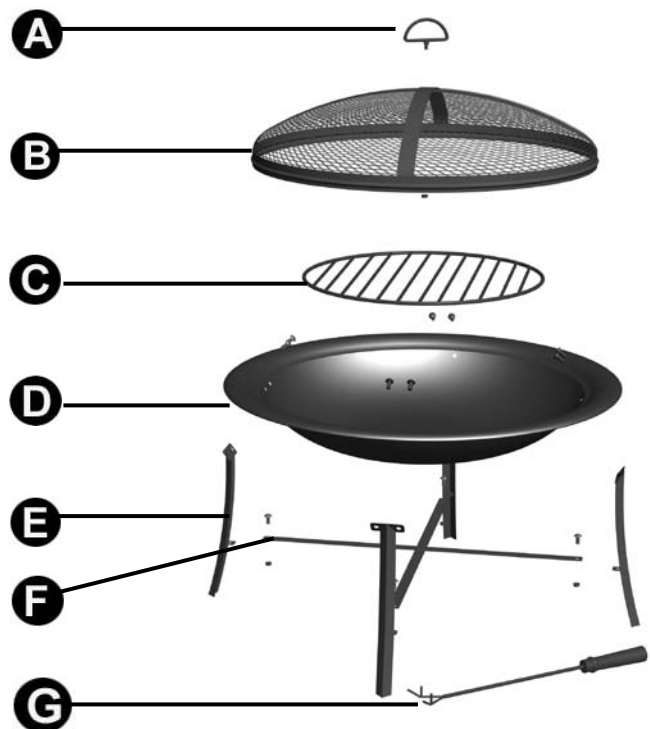
# ASSEMBLY INSTRUCTIONS

## **⚠️ WARNINGS:**

- This fire bowl is intended for outdoor use only. Do not use on wooden decks.
- This fire bowl is intended to burn wood logs only. Do not burn coal, leaves, or other combustible materials in the bowl.
- Not for use by children. Keep children and pets away from this fire bowl.
- The fire bowl is hot. Use with caution. Do not touch the hot fire bowl with bare hands.
- Never leave the burning fire bowl unattended, and always extinguish the fire completely before leaving the fire bowl.
- Do not use near flammable or combustible objects or materials.
- When the fire bowl is in use, the handle on the mesh screen can reach extreme temperatures that can cause serious injury to an unprotected hand. Use a poker or an appropriate heat resistant glove or pad when handling.
- DO NOT use this fire bowl as a cooking appliance. This fire bowl is not designed for grilling food.
- Check local fire regulations and municipal by-laws for safe use.
- Read all safety guidelines, warnings, instructions, and operating rules carefully before assembling and using this product.
- Some parts may contain sharp edges—especially as noted in the manual. Wear protective gloves if necessary.

## PARTS LIST

PART #	DESCRIPTION	QTY.
A	Lift handle	1
B	Mesh Cover	1
C	Wood Grate	1
D	Fire Bowl	1
E	Legs	4
F	Cross	1
G	Fire Poker	1



## HARDWARE LIST



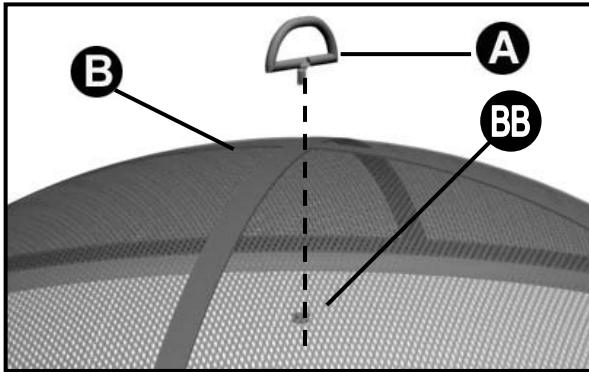
**AA** M6 X 12 mm Bolt  
QTY: 12



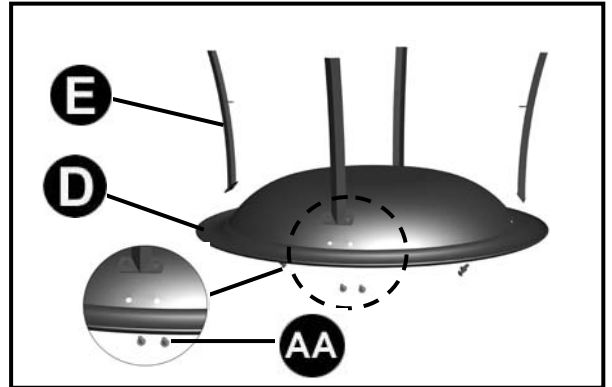
**BB** M6 Nut  
QTY: 5

## ASSEMBLY STEPS:

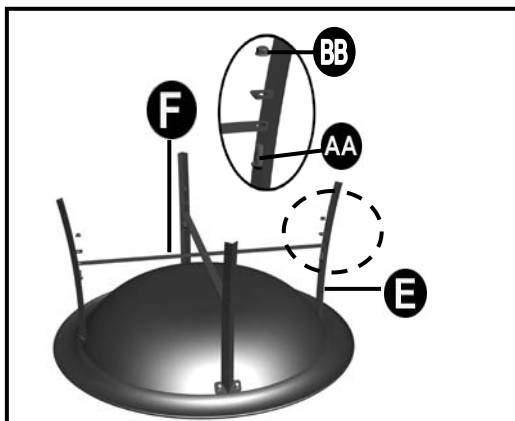
Step 1: Insert Lift handle (A) into the hole in Mesh cover (B) and tighten it with M6 nut (BB) underside to secure.



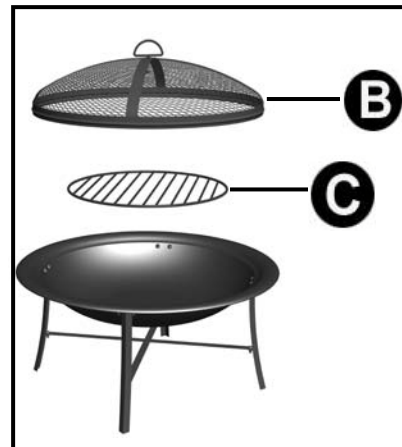
Step 2: Connect each leg (E) to the Fire Bowl (D) using M6 Bolt (AA)



Step 3: Connect the Cross (F) to the four legs (E) using M6 Bolt(AA) and M6 Nut(BB).



Step 4: Place the Mesh Cover (B) and Wood Grate (C) as below picture.



Now the fire pit is ready for use, keep the fire poker (G) near the fire pit for use any time.

