

ASSEMBLY INSTRUCTIONS

ITEM#A501108FSN

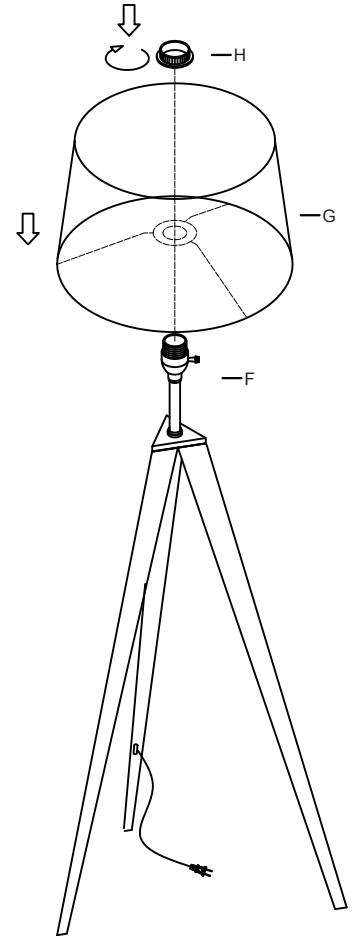
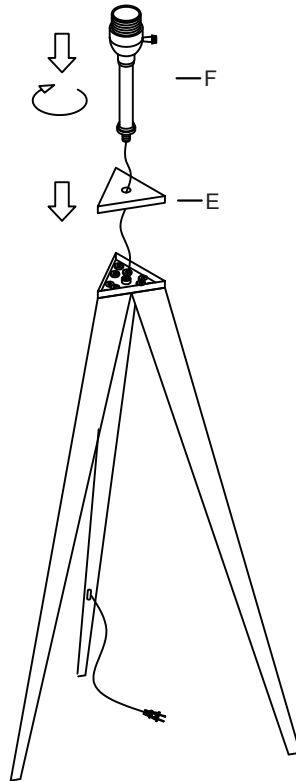
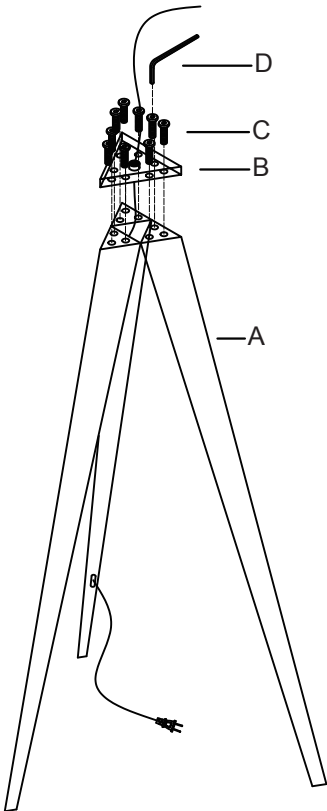
PLEASE READ AND SAVE THESE INSTRUCTIONS:

1. REMOVE ALL PARTS AND LAY ON A FLAT SURFACE.

2. TIGHTEN 9PCS SCREWS (C) WITH ALLEN WRENCH(D) TO SECURE 3PCS LAMP LEG (A) TO THE BRACKET (B).

3. ATTACH THE LAMP COVER (E) AND TIGHTEN CLOCKWISE WITH LAMP HOLDER (F) TO SECURE WHOLE LAMP.

4. FIX THE SHADE (G) TO LAMP HOLDER (F) WITH SOCKET RING (H).



NOTE: Please save the allen wrench in case it is needed for future adjustments or assembly.

MAINTENANCE:

BULB INFORMATION: This lamp requires a three-way 150-watt incandescent bulb or equivalent three-way CFL bulb (not included).

IMPORTANT SAFETY INSTRUCTIONS:

This portable lamp has a polarized plug (one blade is wider than the other) as a feature to reduce the risk of electric shock. This plug will fit in a polarized outlet only one way. If the plug does not fit fully in the outlet, reverse the plug. If it still does not fit, contact a qualified electrician. Never use with an extension cord unless plug can be fully inserted. **DO NOT ALTER PLUG.**

