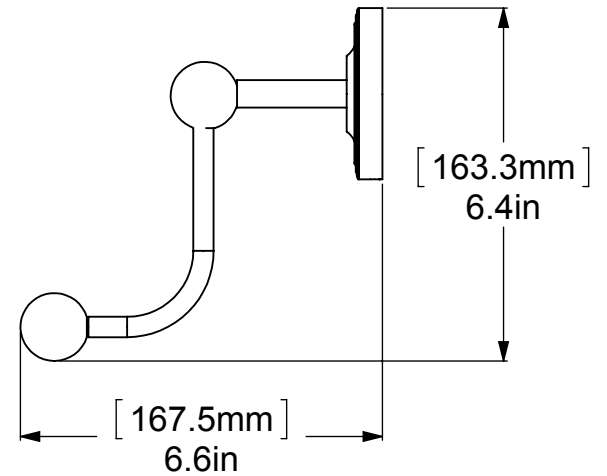
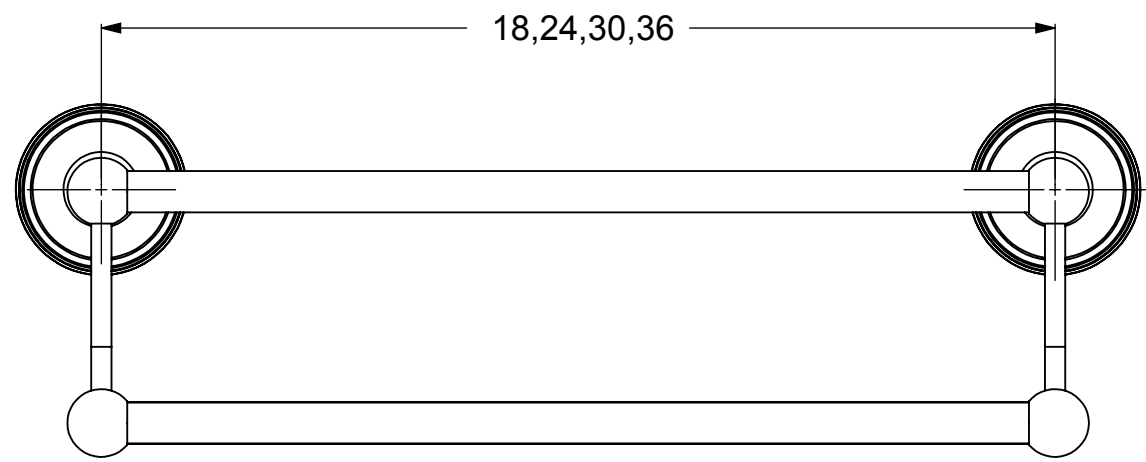
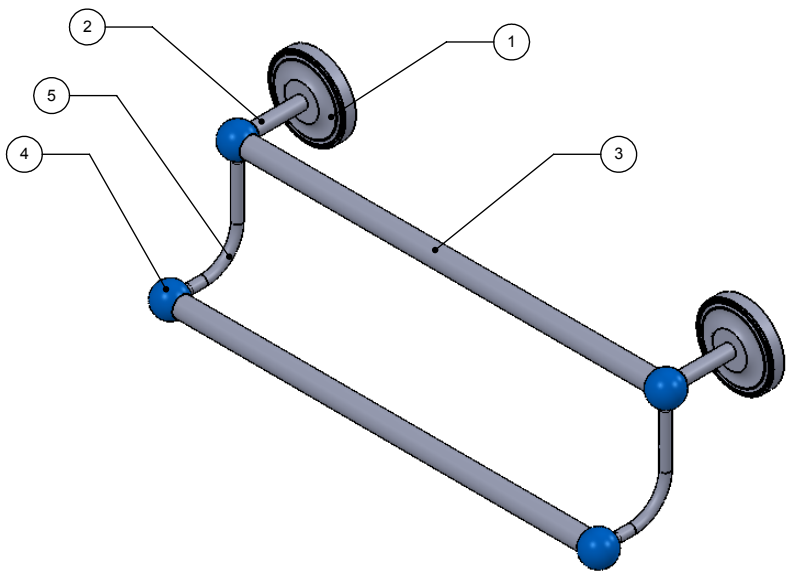


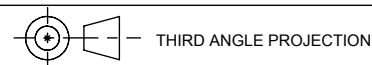
ITEM NO.	P/N	Description	QTY.
1	BPPR	BACKPLATE	2
2	TU12-2	POST	2
3	TU12-18,24,30,36	TUBE	2
4	BL34ST-1.25	BALL HUB	4
5	HKTT	TUBE	2



UNLESS OTHERWISE STATED

.X	±.3mm
.XX	±.15mm
.XXX	±.008mm

COPYRIGHT © Allied Brass 2016



DRAWN	2-8-17	I.M
CHECKED	2-8-17	P.D
APPROVED	2-8-17	R.A

MATERIAL:	BRASS
DESCRIPTION:	TOWEL BAR

FINISH	TBD
QUANTITY	TBD
DRAWING No.	PR-72
REV	0
SCALE	1:3.5
SHEET: 01	A4