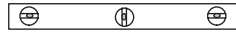


SUGGESTED TOOLS AND MATERIALS



Silicone Sealant



Leveler

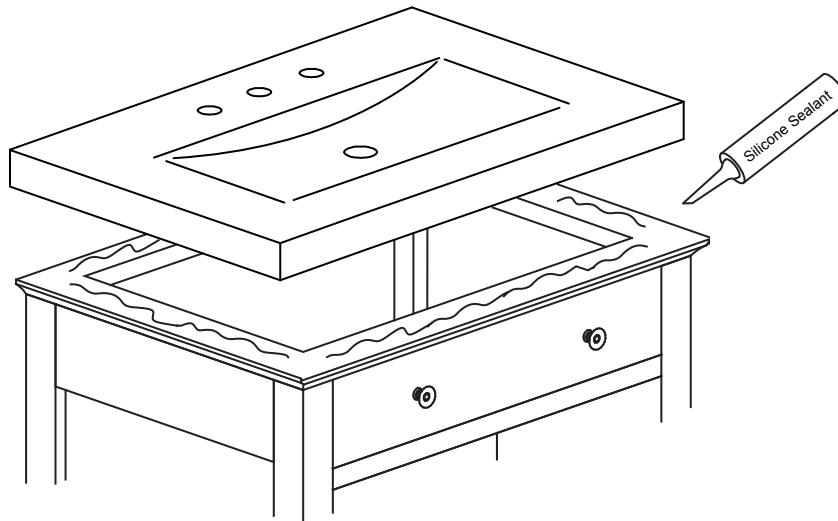


Safety Glasses

SINK INSTALLATION



CAUTION! Risk of product damage. Do not use plumbers putty or oil-based sealers with this vanity top. These products will stain surfaces permanently.



VANITY TOP INSTALLATIONS

** Sink style, shape, cutout on top, and the vanity may vary from the picture above. Instructional purposes only.

1. Install the cabinet / vanity according to the cabinet / vanity manufacturer
2. Check to make sure the vanity top sits level on top of the vanity
3. Apply silicone sealant to the top of cabinet / vanity as shown above
4. Install faucet and drain assembly per the manufacturers' instructions

PLEASE NOTE: that for use on a Purus vanity or other vanity with solid wood top, additional cutouts in the top of the vanity may be required to accommodate the plumbing connections for the drain and faucet. For use with the Purus vanity, the pre-drilled drain hole cutout in the vanity's wood top may be enlarged to 4" x 4" to align with the drain hole in the countertop. To accommodate the faucet, a 3" x 10" cutout can be made to allow the faucet body and supply lines to recess into the vanity as needed.

CARE AND CLEANING

- Our countertops are factory sealed with a penetrating sealer. We highly recommend sealing your countertop before it is first used with a natural stone sealer. Refer to the instructions on the stone sealer container for proper application.
- Routine cleaning of the countertop will reduce the need for heavy cleaning and polishing.
- Use a soft cloth after each use to minimize soap scum.
- Never use strong / abrasive cleaners. For general cleaning, use mild soap and water or natural stone cleaners. Do not use abrasive detergents or cleaning pads, which can damage the surface of the stone. Always test your cleaning solution on unnoticeable areas before applying to the entire surface.
- Never let cleaners sit on the surface of the stone for long periods of time.
- Periodically, re-apply the natural stone sealer as warranted by use. Refer to the instructions on the stone sealer container for proper application.