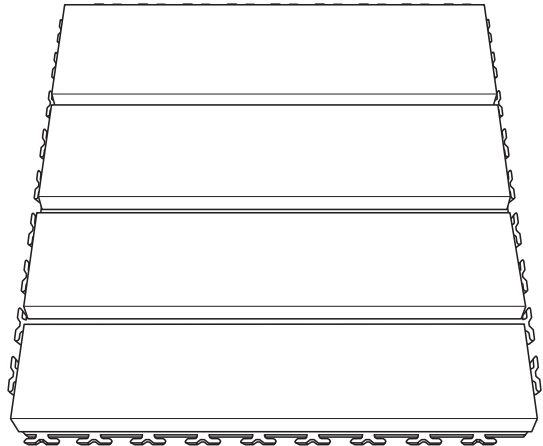


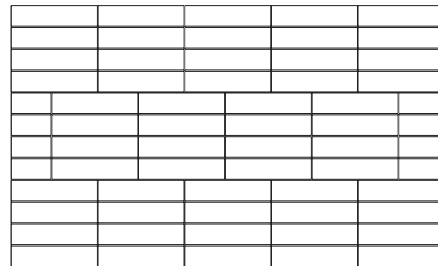
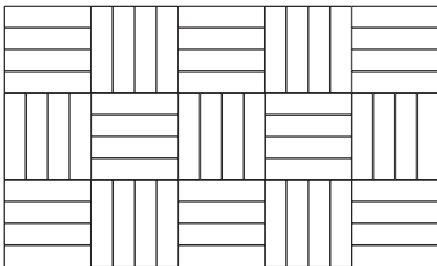
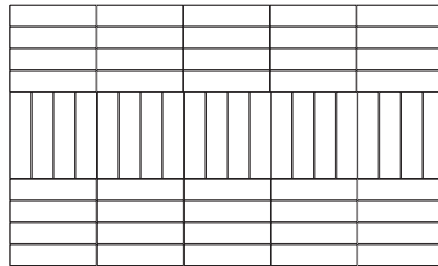
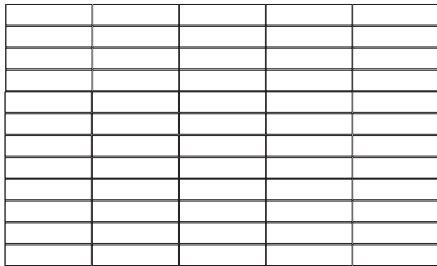


Hardwood Deck Tiles

Installation Instructions



Pattern ideas

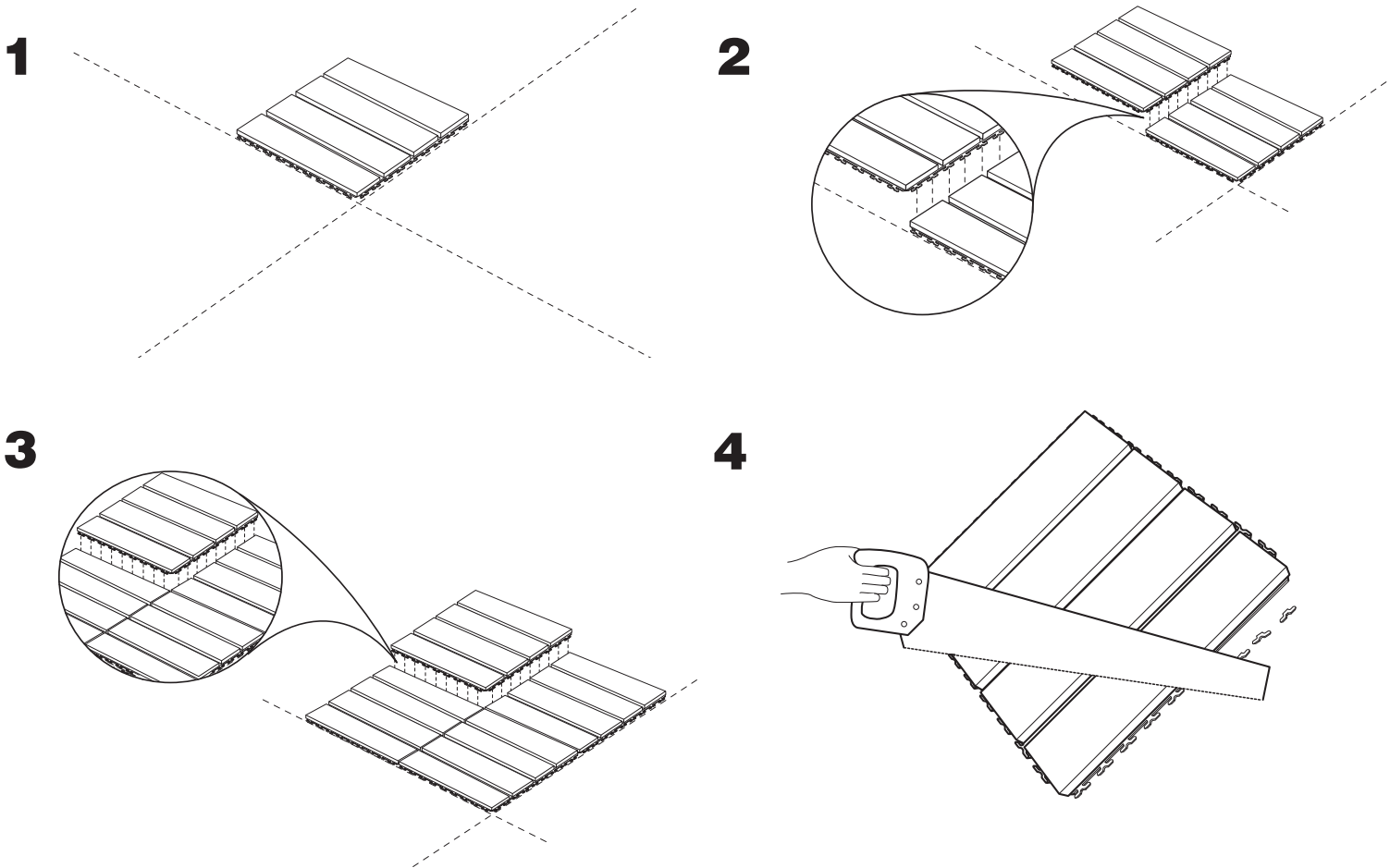


NOTE:

Before installation, plan your design and level the entire surface area.

Cutting around obstructions: It may be necessary to cut the deck tiles to create an even surface around obstructions. For best results, use a carbide tip saw blade. Be sure to avoid cutting the screws that attach the plastic membrane to the wood. Screws may have to be repositioned to ensure a secure connection between the plastic membrane and the wood. Use a high-quality penetrating oil on the cut edges of the wood to prevent the wood from checking and splitting.

Installation steps



Sealing Abaco deck tiles: Because of the durability of this hardwood and a pre-applied oil penetrating sealant, it does not require an additional water sealant; however, we do recommend that you use a high-quality penetrating oil sealant to maintain its appearance. If not maintained with a sealer, and depending on the use and exposure to the elements, the color will eventually fade to a silver/gray tone.

Cleaning and maintenance: Periodic washing with a mild deck cleaning detergent and water is necessary to remove surface dirt, which accumulates on the surface of the board. Use a soft bristle brush to clean dirt and debris from the board. This will also prevent the buildup of pollen and debris that can cause mold and mildew growth. Pressure washers should be used with a fan-tipped nozzle to avoid cutting into or lifting the wood surface.

The diagrams and instructions in this brochure are for illustration purposes only and are not meant to replace a licensed professional. Any construction or use of the product must be in accordance with all local zoning and/or building codes. The consumer assumes all risks and liability associated with the construction or use of this product. The consumer or contractor should take all necessary steps to ensure the safety of everyone involved in the project, including, but not limited to, wearing the appropriate safety equipment. Seller makes no warranty for this product, either express or implied. Seller expressly disclaims any and all liability for damages arising out of the use or ownership of the product, including disclaiming incidental and consequential damages, unless otherwise required by state law.