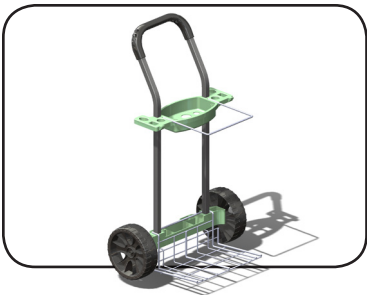




Vertex International, Inc.  
Minnesota, USA

- ✉ - service@vertexproducts.com
- 🌐 - vertexproducts.com
- 📞 - 612-709-9534



## SD380 Yard & Garden Project Cart

### STEP 1

Before beginning assembly, you should have:

#### Assembly Tools Needed

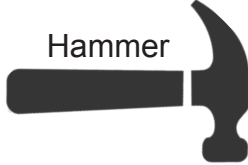
Phillips Screwdriver, #2



Wrench, 7/16 (or adjustable)



Hammer



#### Product Components

- A Top Shelf
- B Bottom Shelf
- C Wheels (2X)
- D Tubes (2X)
- E Load Plate
- F Basket Wire
- G Handle
- H Axle
- I Plastic Washer (2X)



#### Hardware Pack

- J **2X**  
1/4"-20 long screws
- K **4X**  
1/4"-20 short screws
- L **4X**  
1/4" flat washers
- M **2X**  
1/4" lg flat washers
- N **2X**  
1/4"-20 nylock nut
- O **2X**  
Axle push nuts
- P **4X**  
Square push in threaded inserts

### MISSING PARTS?

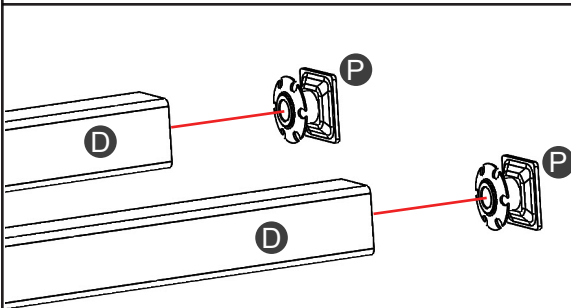
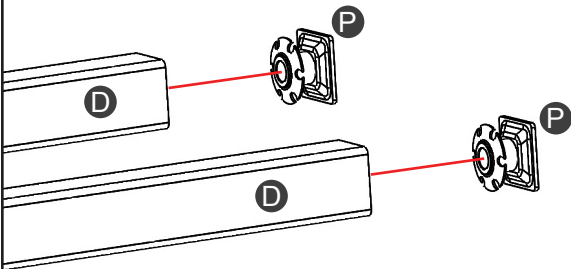
Send the following to service@vertexproducts.com or text 612-709-9534

1. Model Number & Place of Purchase
2. Letter & Description of missing part
3. Your Name and Address

Inquiries received by 2 PM CST will be shipped same business day

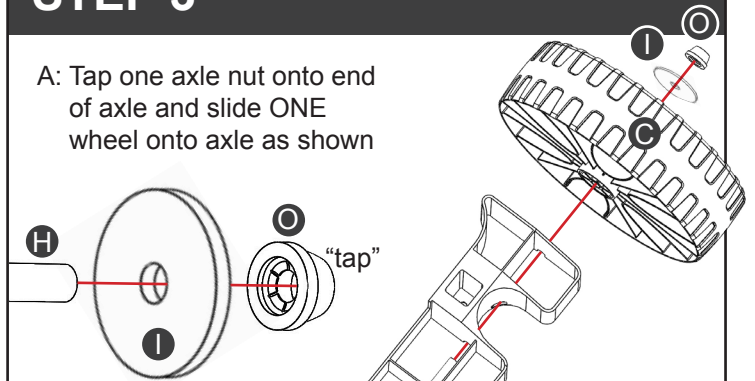
### STEP 2

A: Press inserts into each end of tubes

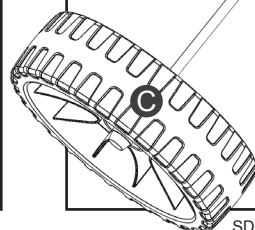


### STEP 3

A: Tap one axle nut onto end of axle and slide ONE wheel onto axle as shown



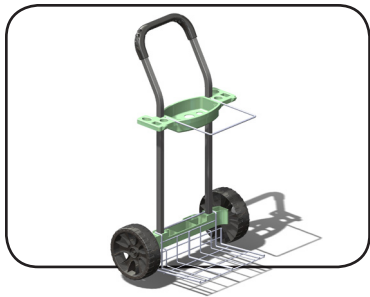
B: Slide assembly through frame and install other wheel and axle nut as shown





Vertex International, Inc.  
Minnesota, USA

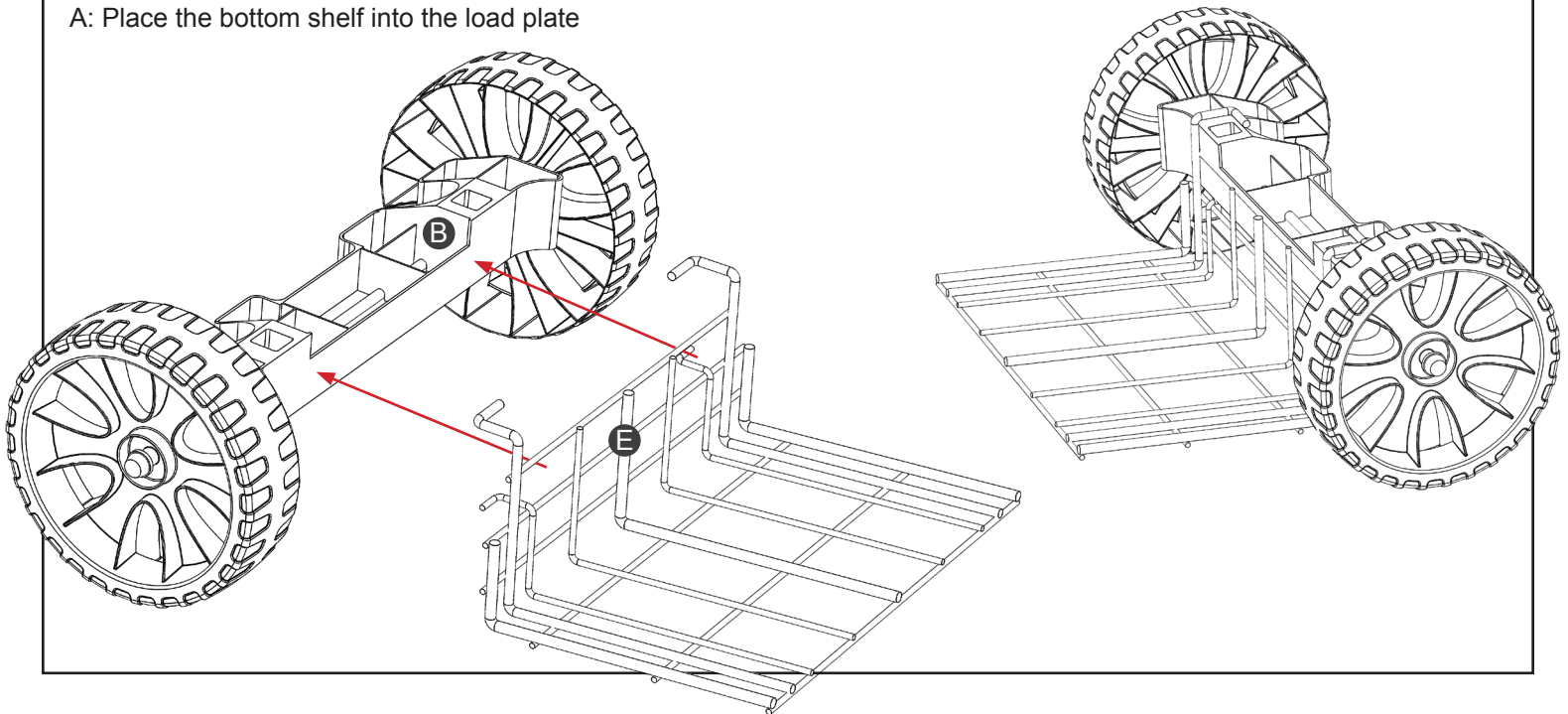
- service@vertexproducts.com
- vertexproducts.com
- 612-709-9534



## SD380 Yard & Garden Project Cart

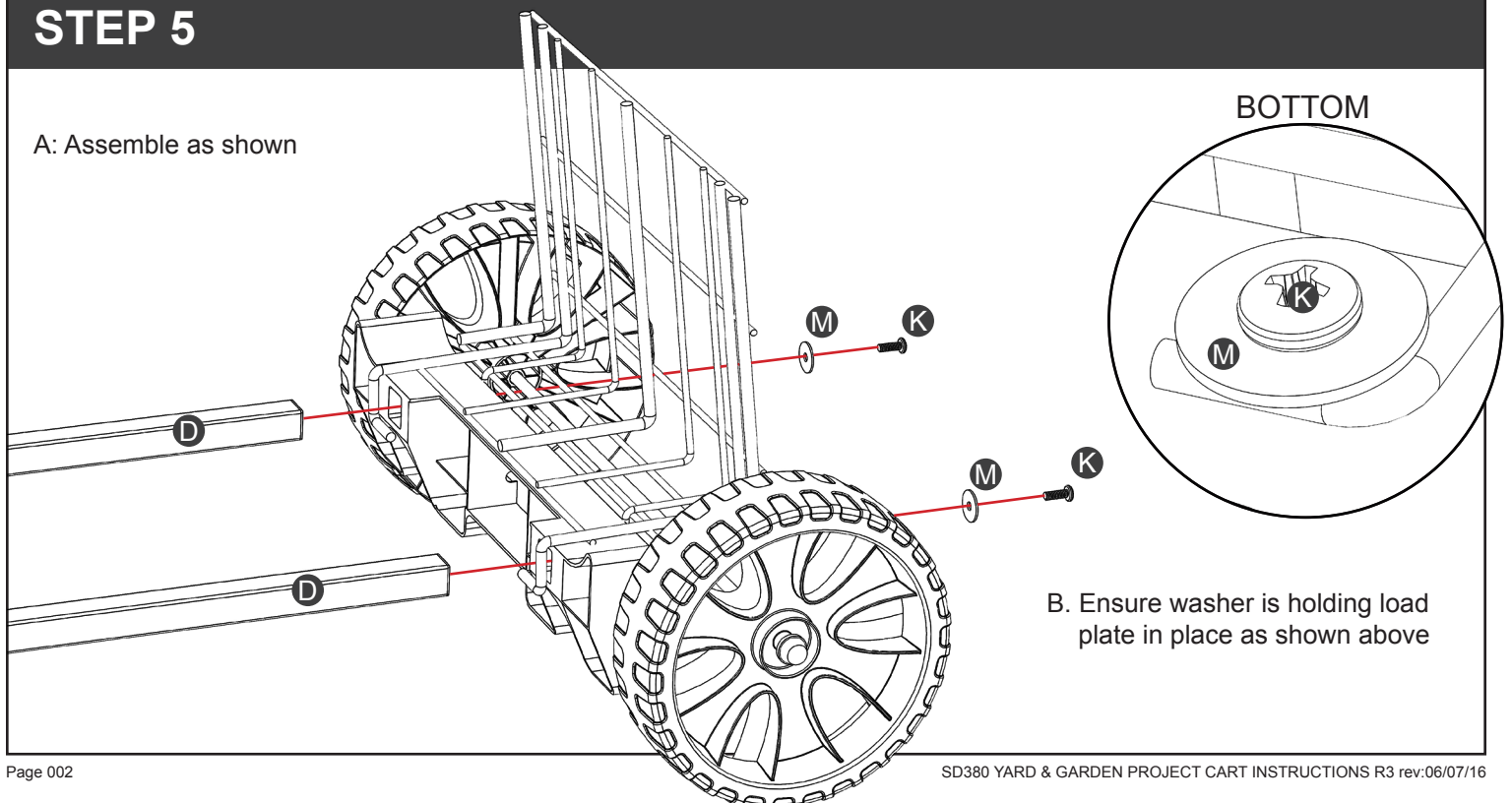
### STEP 4

A: Place the bottom shelf into the load plate



### STEP 5

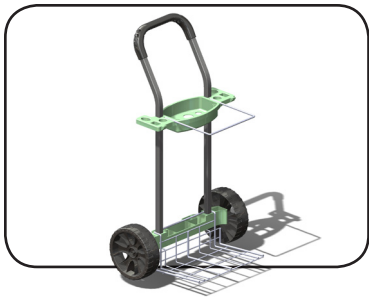
A: Assemble as shown





Vertex International, Inc.  
Minnesota, USA

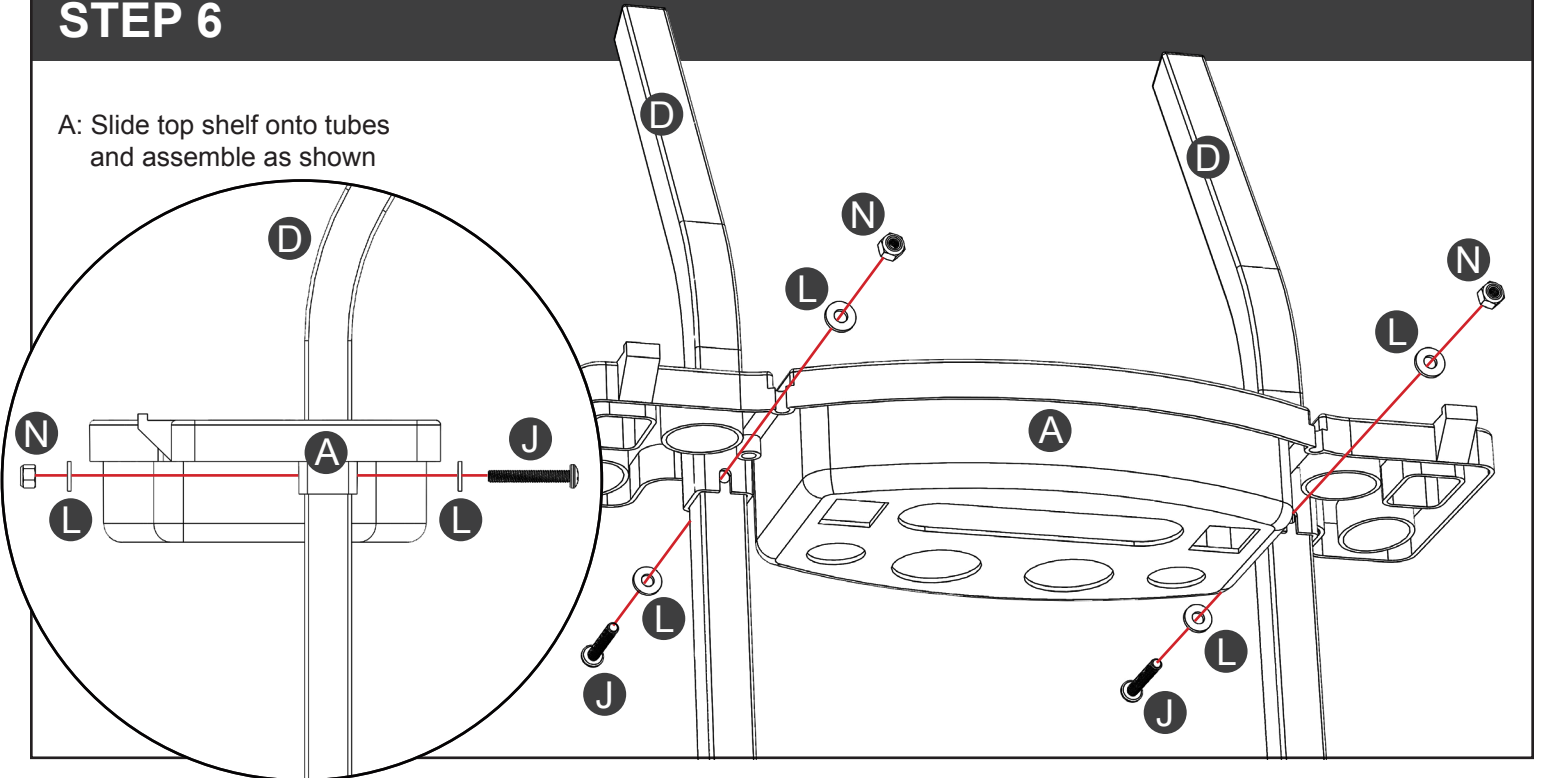
- ✉ - service@vertexproducts.com
- 🌐 - vertexproducts.com
- 📞 - 612-709-9534



## SD380 Yard & Garden Project Cart

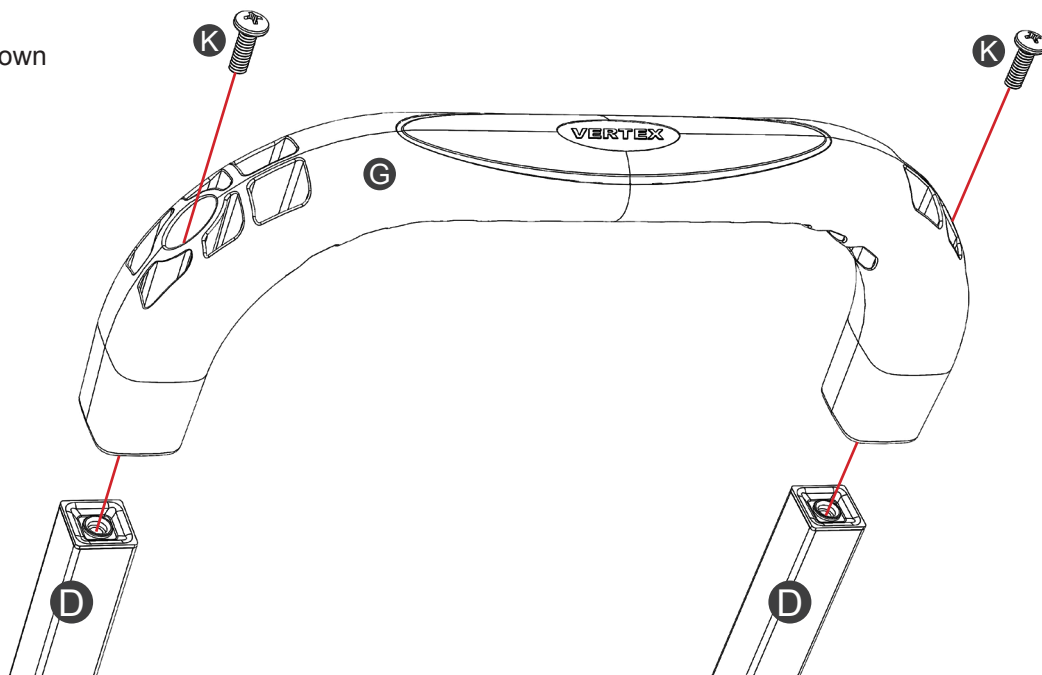
### STEP 6

A: Slide top shelf onto tubes and assemble as shown



### STEP 7

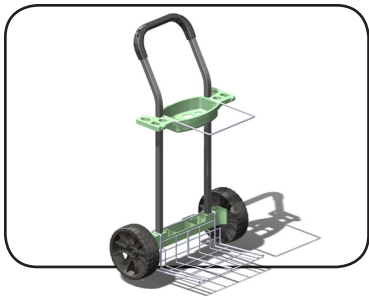
A: Install handle as shown





Vertex International, Inc.  
Minnesota, USA

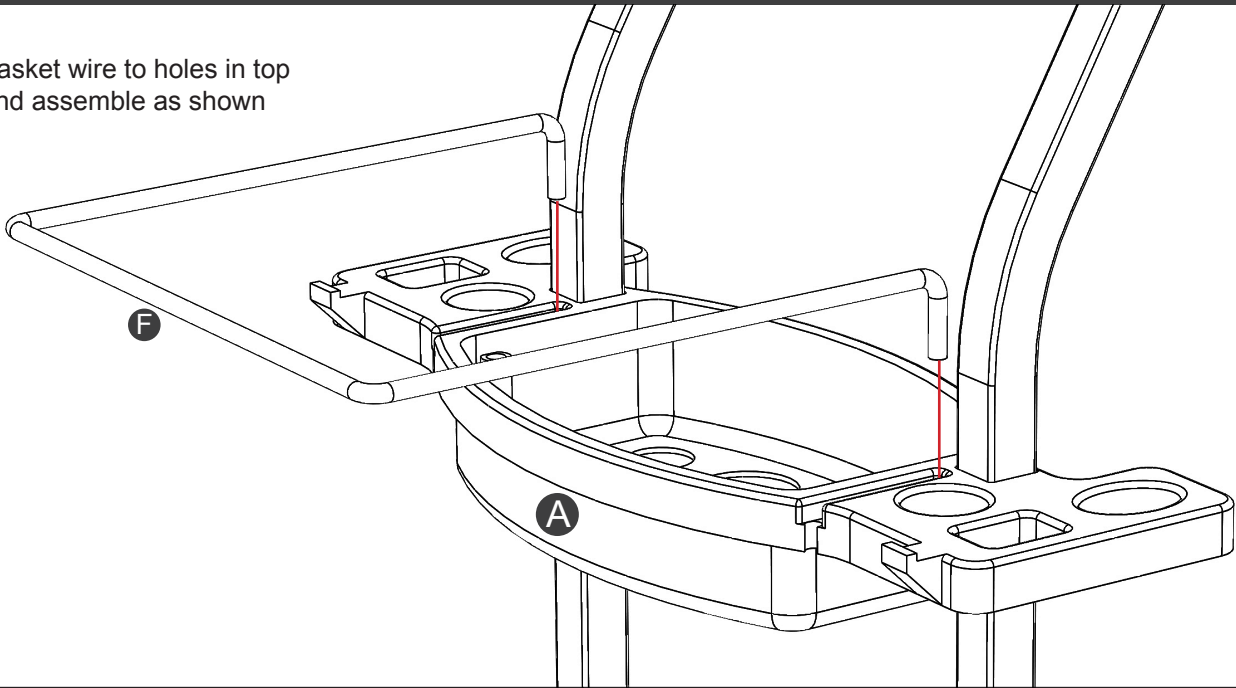
- service@vertexproducts.com
- vertexproducts.com
- 612-709-9534



## SD380 Yard & Garden Project Cart

### STEP 8

A: Align basket wire to holes in top shelf and assemble as shown



### STEP 9 (Optional Accessory)

A: To install bag; remove basket wire, slide the bag on, and reassemble as shown

