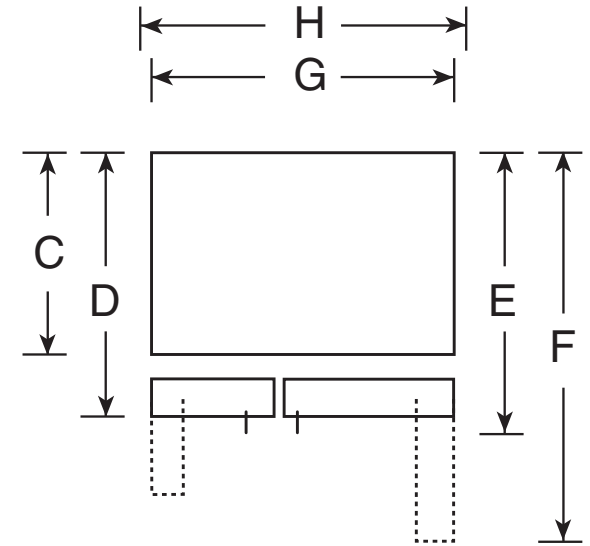
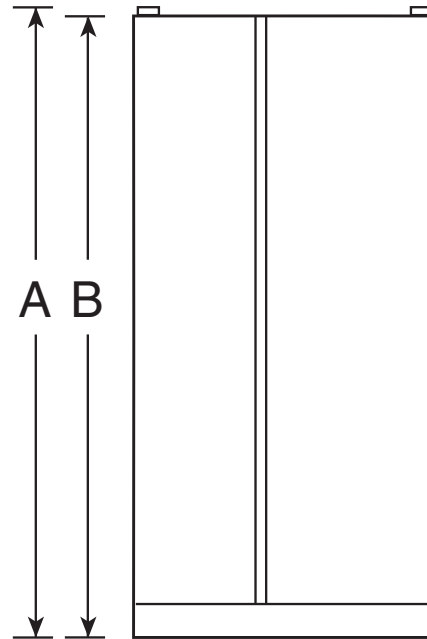


PSE25KSH

GE Profile™ Series ENERGY STAR® 25.4 Cu. Ft. Side-By-Side Refrigerator with Dispenser

DIMENSIONS AND INSTALLATION INFORMATION (IN INCHES)

Overall Dimensions	Height to top of hinge (in.) A	69-1/4
	Height to top of case (in.) B	68-3/4
	Case depth without door (in.) C	28-1/2
	Case depth less door handle (in.) D	32-3/4
	Case depth with door handle (in.) E	35-1/4
	Depth with fresh food door open 90° (in.) F	50-1/2
	Width (in.) G	35-3/4
	Width with door open 90° inc. door handle (in.) H	43-1/2
Air	Each side (in.)	1/8
	Top (in.)	1
	Back (in.)	2



†Water hook-up fits in back air clearance when calculating installation depth.

If installed against a wall, allow clearance of 14-3/16" on freezer side to remove bin. To remove fresh food pans, remove door bins.

Clearance required to remove fresh food full-size pan without disassembling is 18-15/16".

Allow additional space for any necessary leveling adjustments.



For answers to your Monogram, GE Café™ Series, GE Profile™ Series or GE Appliances product questions, visit our website at geappliances.com or call GE Answer Center® Service, 800.626.2000.



As an ENERGY STAR® partner, GE has determined that this product meets the ENERGY STAR guidelines for energy efficiency.

PSE25KSH

GE Profile™ Series ENERGY STAR® 25.4 Cu. Ft. Side-By-Side Refrigerator with Dispenser

FEATURES AND BENEFITS

Angled ALL LED lighting in fresh food and freezer – Illuminates every inch of the fresh food and freezer compartments

Adjustable slide-out, spillproof glass shelves – Raised edges help contain spills and make cleanup quick and easy

Fresh food multi-level drawers – Provide the ideal environment for storing your fruits and vegetables

Adjustable Clear Look door bins – Offer ideal space for large containers in the door and free up valuable shelf space

Glass freezer shelves – Enjoy a high-end appearance with secure storage for a variety of items

Arctica icemaker – Holds up to 10 lbs of ice, so there's enough for all occasions

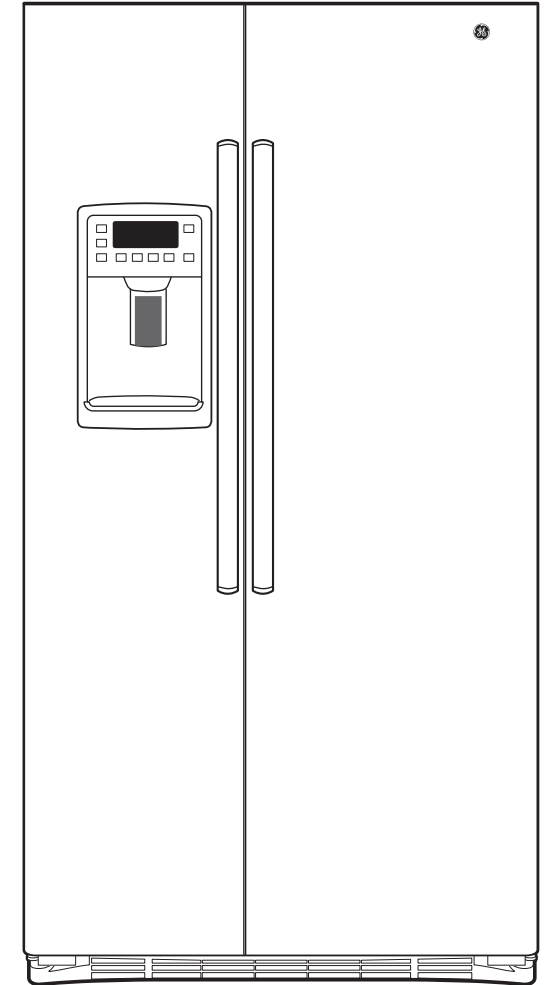
Advanced water filtration uses MWF replacement filter – Reduces trace pharmaceuticals from water and ice* (* Removes 98% of ibuprofen, atenolol, fluoxetine, progesterone and trimethoprim. These pharmaceuticals are not necessarily in all users' water)

Multi-level freezer baskets – Provide plenty of easy-access storage for frozen foods

Turbo Cool setting – Drops interior temperature to maintain freshness after frequent openings

Quick Ice setting – Creates ice up to 50% faster than normal settings

Model PSE25KSHSS – Stainless steel



As an ENERGY STAR® partner, GE has determined that this product meets the ENERGY STAR guidelines for energy efficiency.