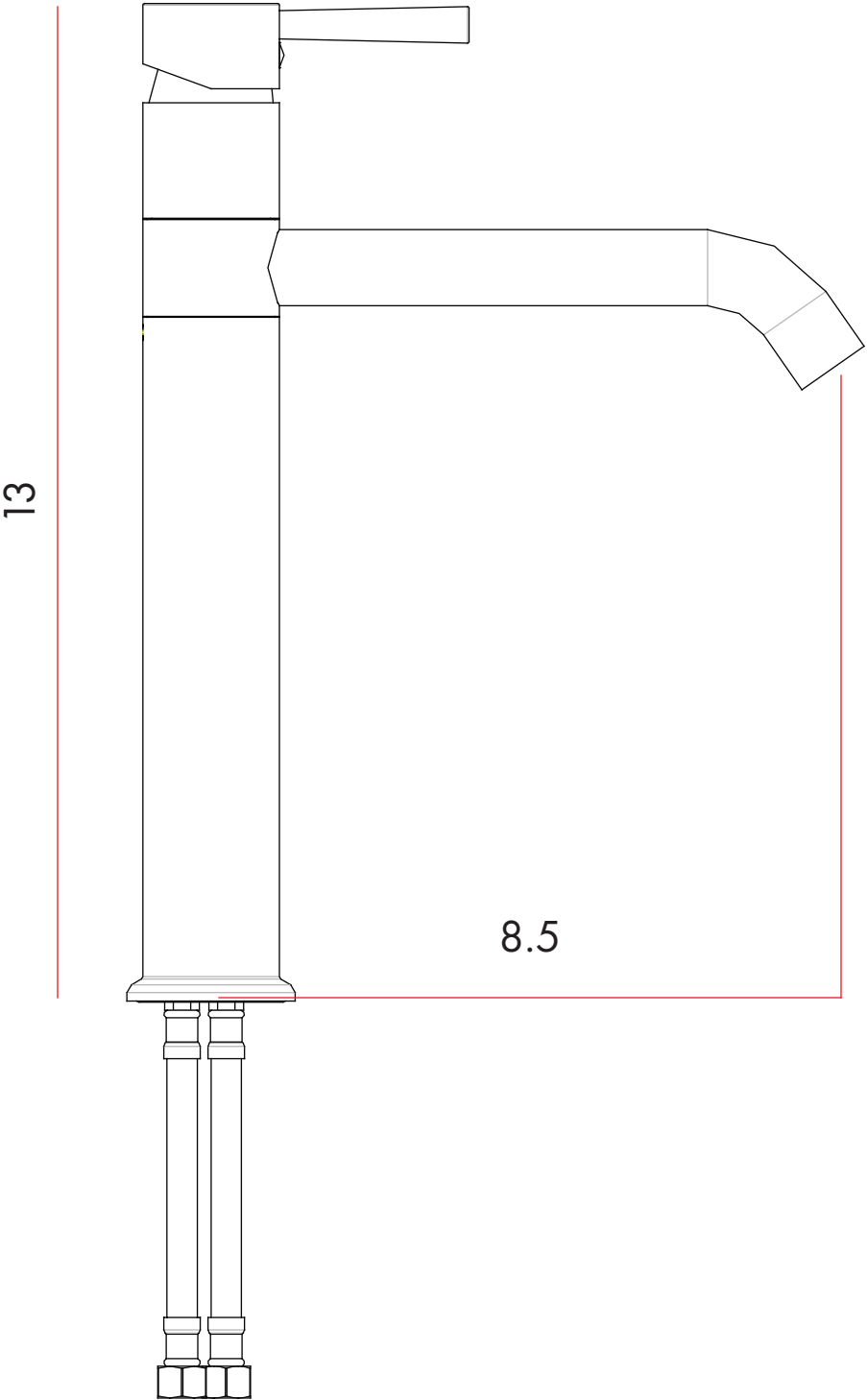


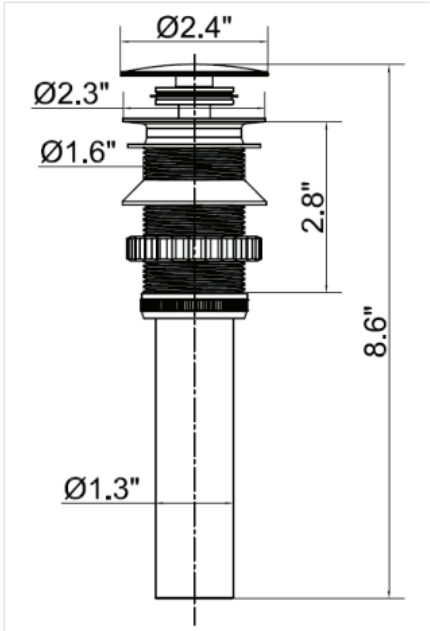
# N88119A1-DRN



8.5

8.5

13



ANSI/ASME A112.18.1  
CSA B125  
ANSI/NSF 61-Sec. 9  
IAPMO/UPC  
ADA  
CA AB1953