

**SHOWER TRIM SET
K-T15611**

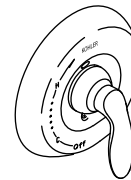
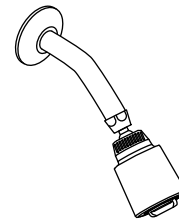
Features

- Metal construction
- 2.5 gallon (9.5 L) per minute flow rate
- Includes showerhead with arm and flange, faceplate, and lever handle

Codes/Standards Applicable

Specified model meets or exceeds the following:

- ASME A112.18.1/CSA B125.1
- ASSE 1016



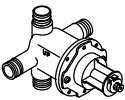
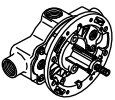
Colors/Finishes

- CP: Polished Chrome
- Other: Refer to Price Book for additional colors/finishes

Accessories

- NA: None applicable
- CP: Polished Chrome
- Other: Refer to Price Book for additional colors/finishes

Specified Model

Model	Description	Colors/Finishes	
K-T15611-4	Shower trim set	<input type="checkbox"/> CP	<input type="checkbox"/> Other_____
Required Accessories			
K-304-*	Rite-Temp® valve OR	<input type="checkbox"/> NA	
K-2971-KS	HiFlow Rite-Temp valve with stops		<input type="checkbox"/> NA
* For a complete listing of all the RiteTemp valves, refer to the K-304-* Specification Sheet or Roughing-In Sheet.			
Optional Accessories			
88526	HiFlow Rite-Temp® thin wall installation kit	<input type="checkbox"/> CP	<input type="checkbox"/> Other_____

Product Specification

The single-handle shower trim set shall be made of metal construction. Product shall include showerhead with arm and flange, and faceplate with lever handle. Faucet trim shall be 2.5 gallon (9.5 L) per minute flow rate. Faucet trim shall be Kohler Model K-T15611-_____-_____- and mixing valve shall be Kohler Model K-_____-_____-NA.

CORALAIS®

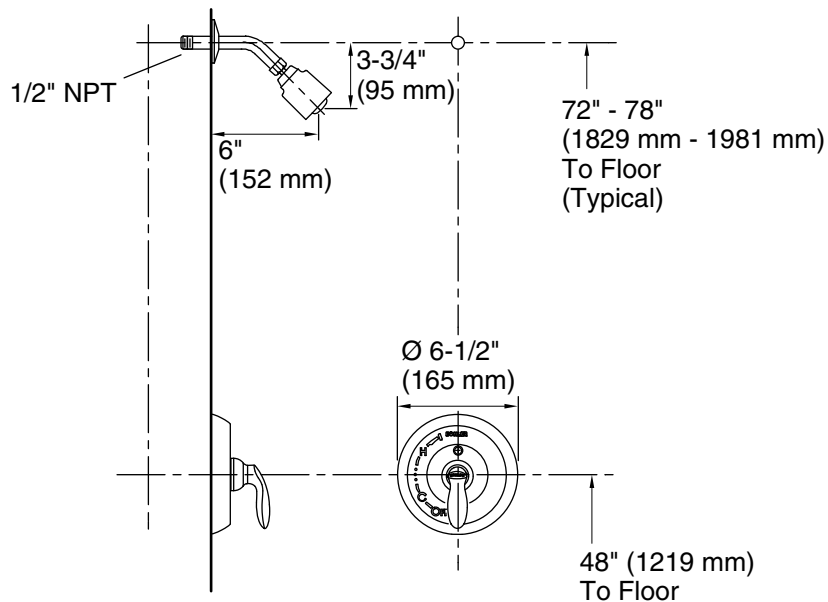
Installation Notes

Install this product according to the installation guide.

NOTICE: Risk of product damage. Long screws, for installing trim, can damage the K-2971-KS valve. Consult the trim installation guide to verify if the thin wall installation kit (88526) is needed.

Avoid cross-flow conditions. Do not install shut-off device on either valve outlet.

Cap shower outlet if deck-mount spout, diverter, or handshower is connected to spout outlet.



Product Diagram