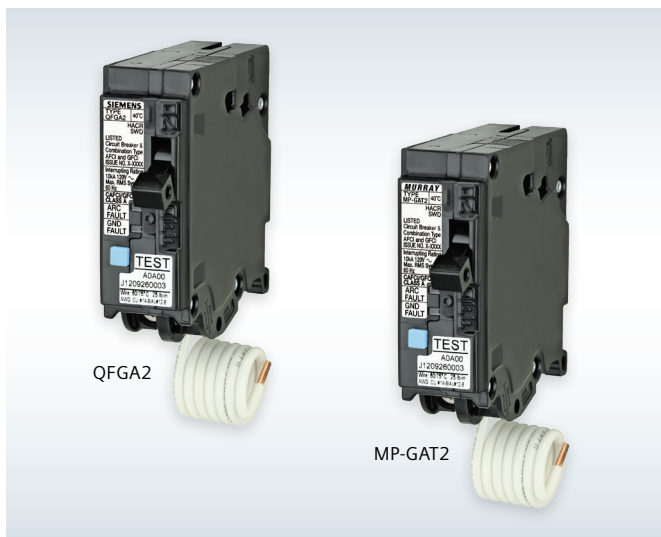


## Dual Function AFCI/GFCI Circuit Breaker

### Data Sheet



Two state-of-the-art technologies combined in one device. Introducing the Dual Function Circuit Breaker that provides Arc Fault and Ground Fault protection in one device.

The 2014 National Electrical Code (NEC®) requires Arc Fault protection on kitchen and laundry circuits where Ground Fault protection is currently a requirement. One solution to meet this code is to pair an AFCI circuit breaker with a GFCI receptacle. The Dual function breaker will replace the Arc Fault breaker and the Ground Fault receptacle. Additionally, the breaker will help eliminate the use of two separate devices and improve cost savings.

It is recommended to test your Dual Function device every month.

#### Features

- Plug-in or bolt-on branch circuit breakers for Siemens load centers and panelboards
- Self Test and Lockout feature as required by UL 943 effective June 2015
- Saving time – ease of installation – only One product to install vs. Two
- Saving money – Two safety devices combined into One.
- LED trip indicator – a Siemens exclusive!
- Available with interrupting rating of 10kA, 22kA or 65kA
- UL Listed CCN: DIYG
- Ratings:
  - HACR
  - SWD
  - 120 Volts AC
- Wire range:
  - #14 – #8 AWG Cu
  - #12 – #8 AWG Al
- Torque: 25 lb. in.
- Padlocking device available, use catalog number ECPLD1
- Both lugs at the same angle - for easier wiring

Catalog Number	Amperage Rating	Interrupting Rating	UL Type
----------------	-----------------	---------------------	---------

#### Siemens and Murray Bolt-On

B115DF	15	10kAIC	BFGA2
B120DF	20	10kAIC	
B115DFH	15	22kAIC	BFGAH2
B120DFH	20	22kAIC	
B115DFHH	15	65kAIC	HBFGA2
B120DFHH	20	65kAIC	

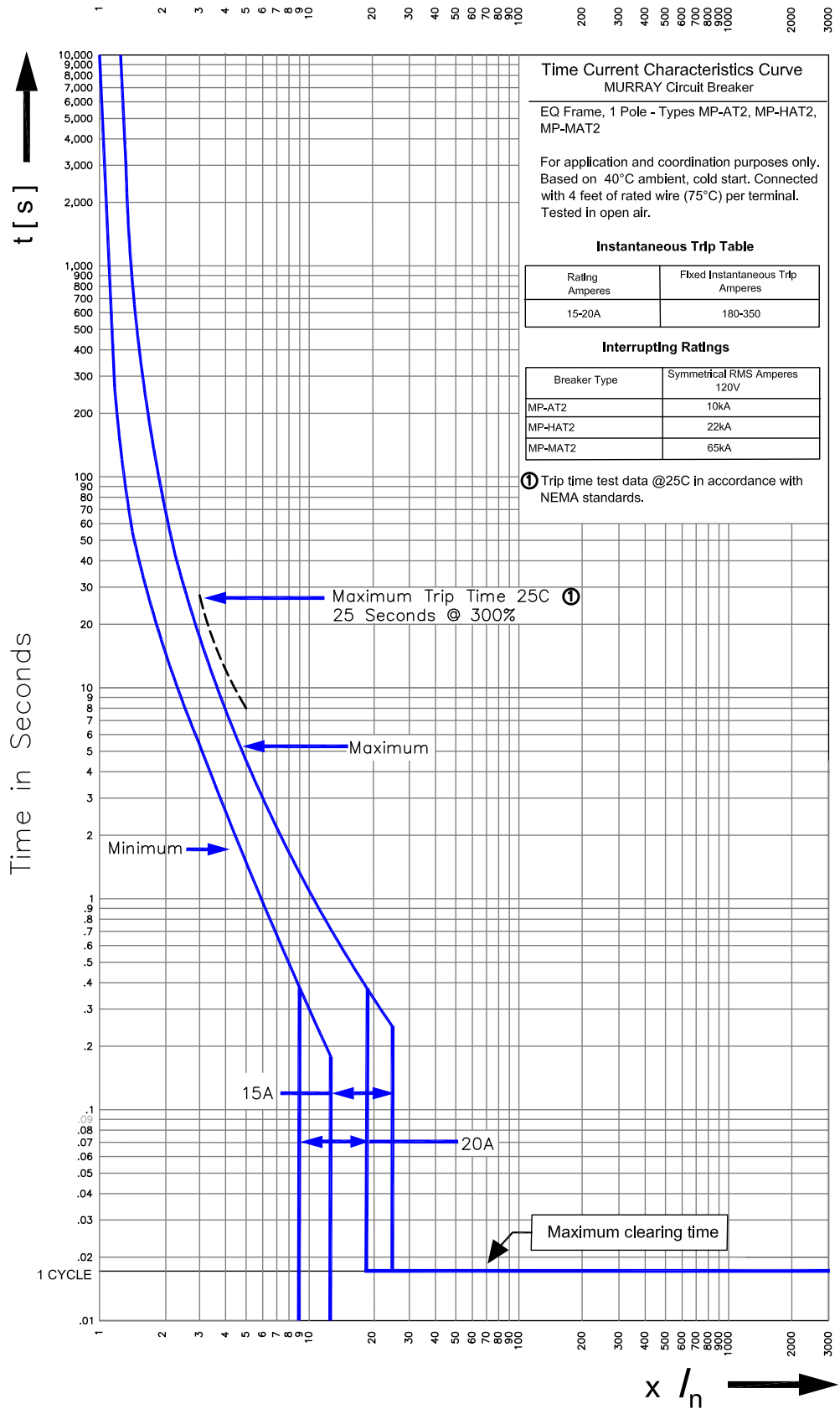
#### Siemens Plug-In

Q115DF	15	10kAIC	QFGA2
Q120DF	20	10kAIC	
Q115DFH	15	22kAIC	QFGAH2
Q120DFH	20	22kAIC	
Q115DFHH	15	65kAIC	HQFGA2
Q120DFHH	20	65kAIC	

#### Murray Plug-In

MP115DF	15	10kAIC	MP-GAT2
MP120DF	20	10kAIC	
MP115DFH	15	22kAIC	MP-HGAT2
MP120DFH	20	22kAIC	
MP115DFM	15	65kAIC	MP-MGAT2
MP120DFM	20	65kAIC	

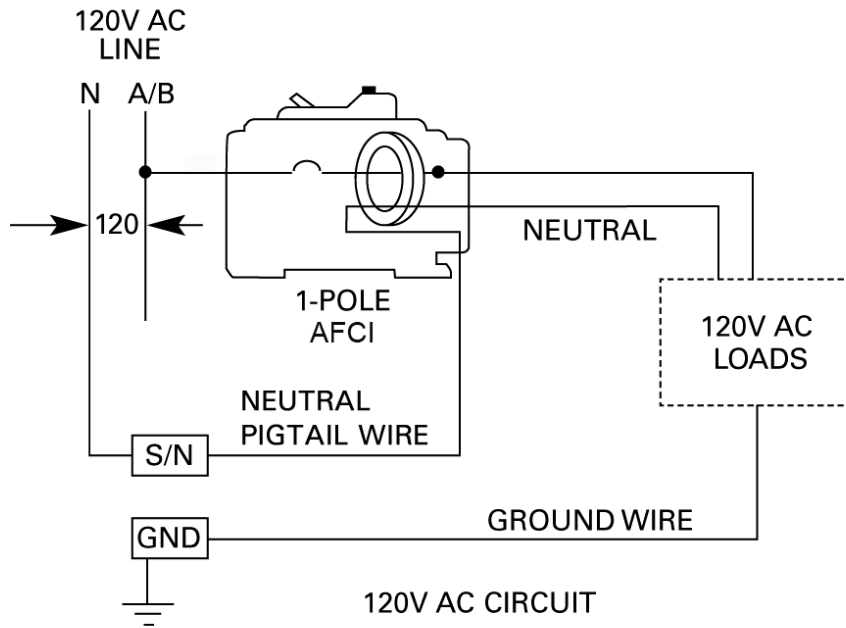
# Time Current Characteristic Curves



Multiples of Continuous Current Rating

# Wiring diagram

## 1-Pole (1" Wide)



**Siemens Industry, Inc.**  
**5400 Triangle Parkway**  
**Norcross, GA 30092**

**1-800-241-4453**  
**info.us@siemens.com**

Order No. RPFL-DUALF-0614 | Printed in USA |  
© 2014, Siemens Industry, Inc.

**[www.usa.siemens.com/afci](http://www.usa.siemens.com/afci)**

The information provided in this flyer contains merely general descriptions or characteristics of performance which in case of actual use do not always apply as described or which may change as a result of further development of the products. An obligation to provide the respective characteristics shall only exist if expressly agreed in the terms of contract.

All product designations may be trademarks or product names of Siemens AG or supplier companies whose use by third parties for their own purposes could violate the rights of the owners.