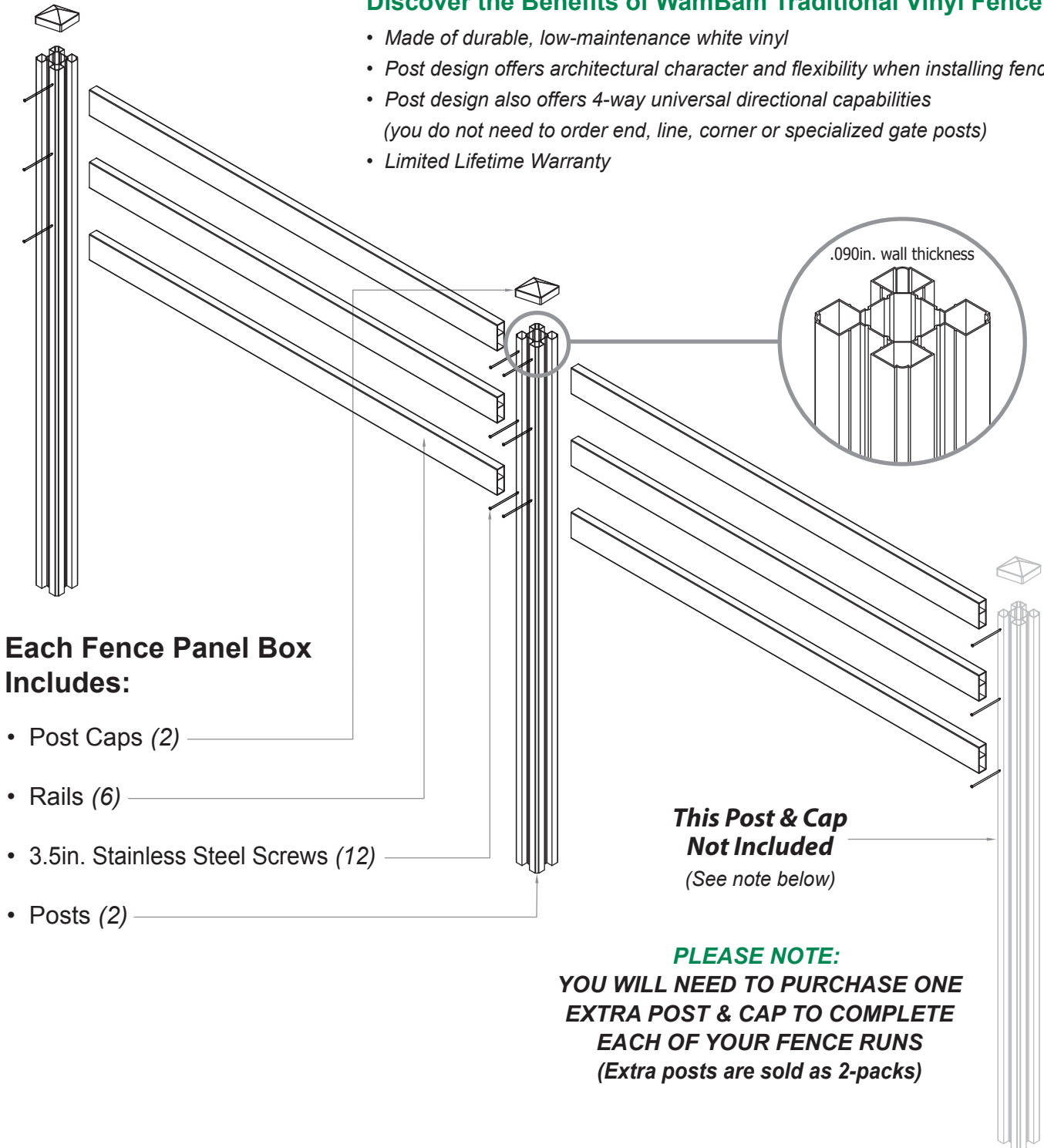


## BOX CONTENTS

### Discover the Benefits of WamBam Traditional Vinyl Fence

- Made of durable, low-maintenance white vinyl
- Post design offers architectural character and flexibility when installing fence
- Post design also offers 4-way universal directional capabilities (you do not need to order end, line, corner or specialized gate posts)
- Limited Lifetime Warranty



### Each Fence Panel Box Includes:

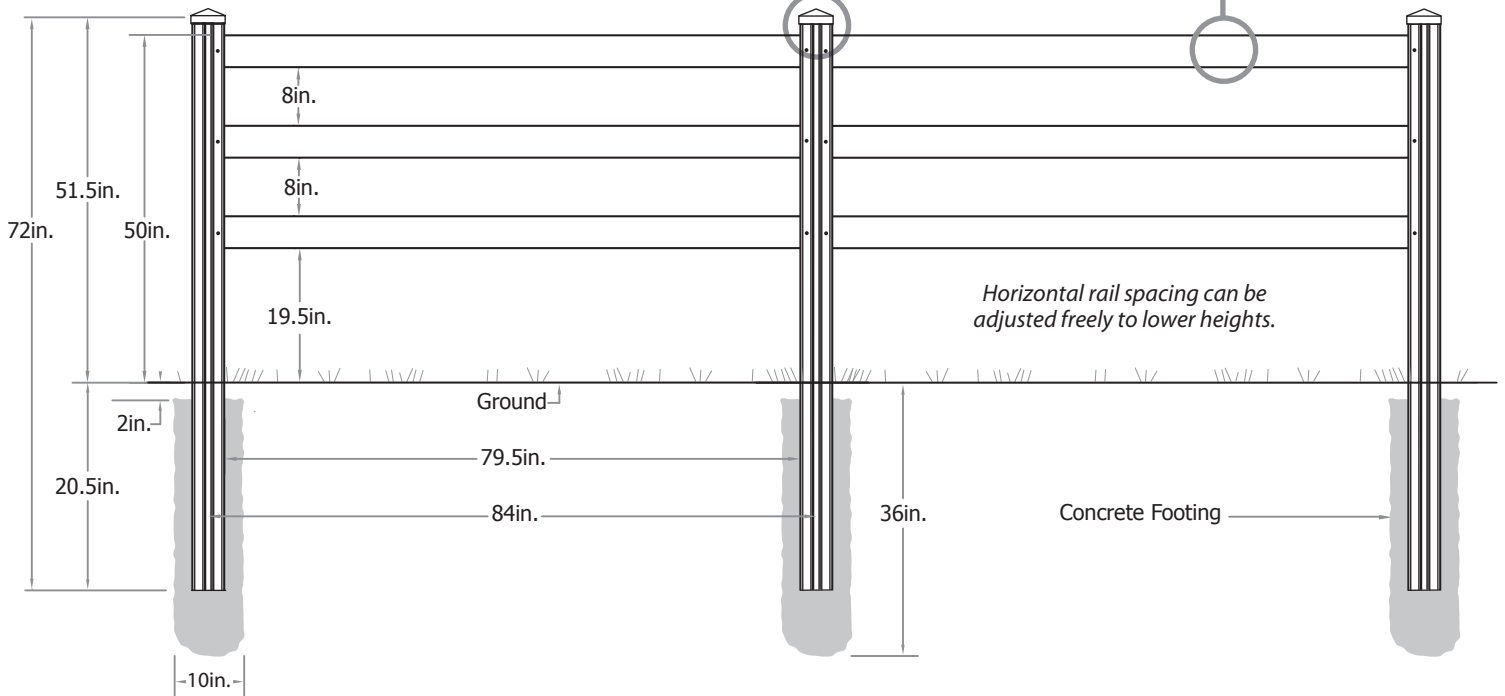
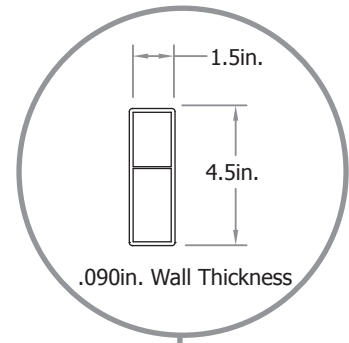
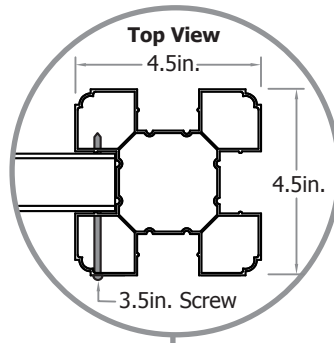
- Post Caps (2)
- Rails (6)
- 3.5in. Stainless Steel Screws (12)
- Posts (2)

**This Post & Cap  
Not Included**  
(See note below)

**PLEASE NOTE:**  
**YOU WILL NEED TO PURCHASE ONE  
EXTRA POST & CAP TO COMPLETE  
EACH OF YOUR FENCE RUNS  
(Extra posts are sold as 2-packs)**

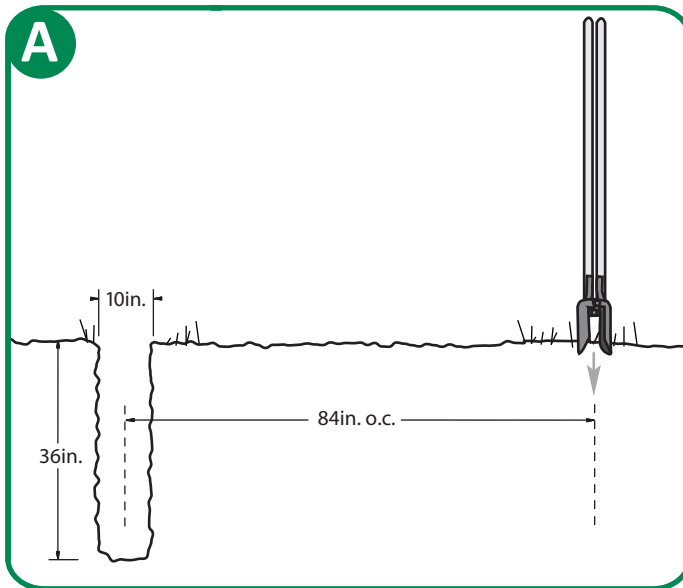
### PRODUCT SPECIFICATIONS

*This fence can be trimmed down both in width and height to accommodate custom applications.*

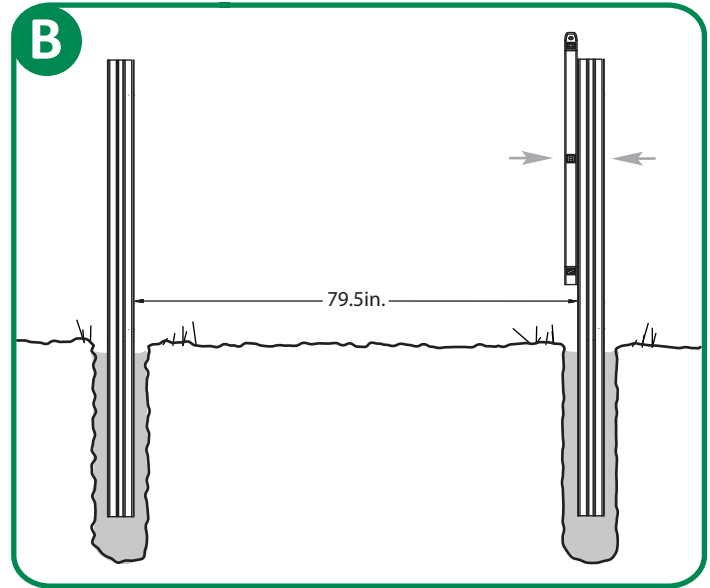


### QUICKIE OVERVIEW

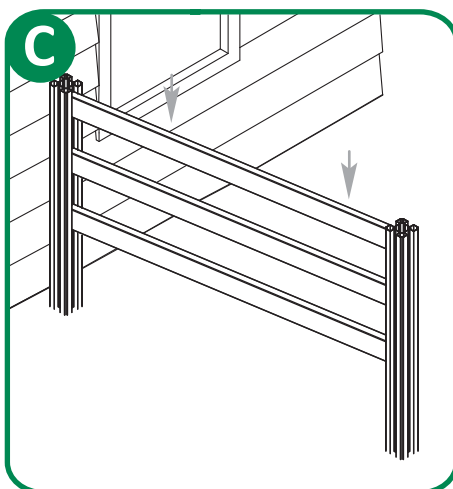
- Prior to construction, check with your regulatory agency for special code requirements in your area.
- Contact your utility supplier to locate and mark underground lines before excavation.
- Sketch out the layout of your fence and calculate the number of panels, gates and posts required (order one extra post & cap to finish each fence run).
- Careful planning & measuring of your fence is essential, as moving posts after the concrete sets is extremely difficult.



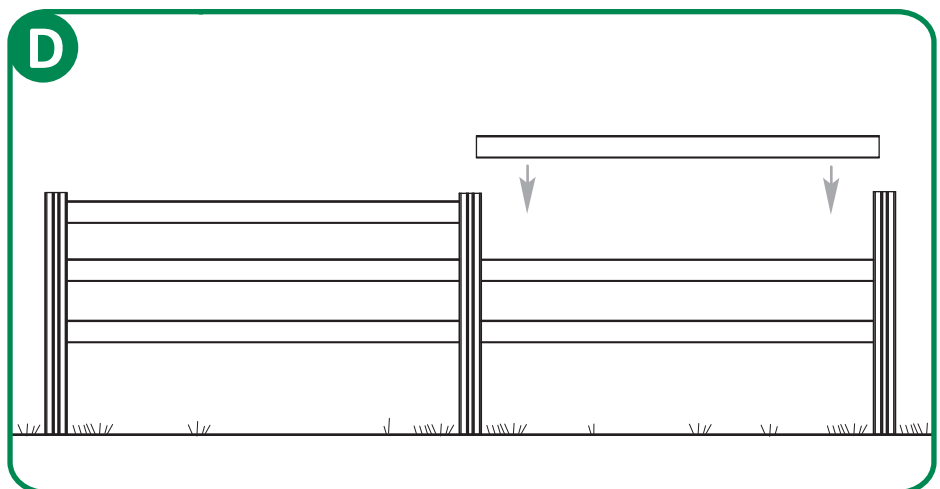
After stringing your fence line, dig your first post hole 10in. diameter x 36in. deep. Dig your second hole 84in. on center to your first hole, and so on. Dig only three or four holes at a time to ensure proper spacing.



- 1 - Add approximately 18in. of concrete to the bottom of the hole.
- 2 - Install posts straight and level.
- 3 - Add more concrete to within 2in. of ground level.



In the first fence section, slide 3 rails down the groove in your posts to the approximate position as illustrated on page 2 (rail spacing is flexible).

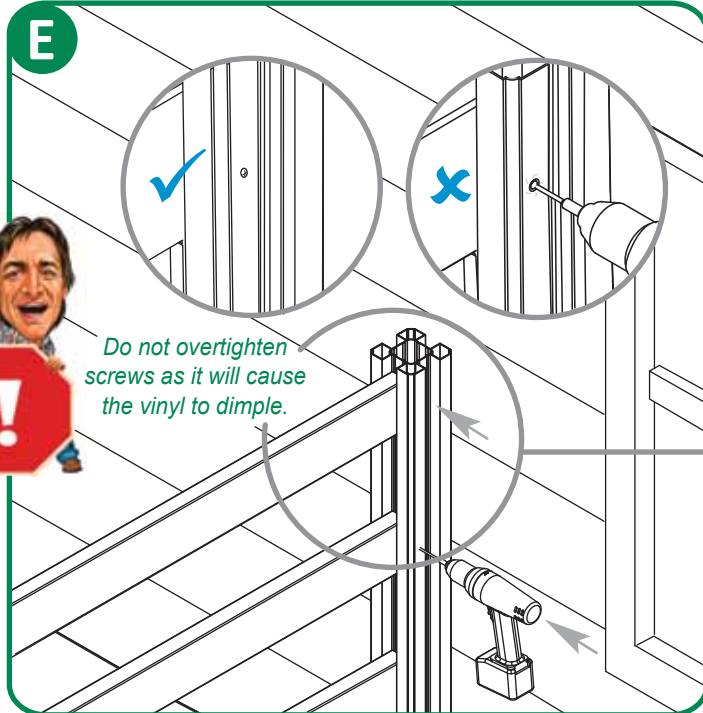


In the second fence section, slide 3 rails down the groove in your posts to the approximate position and repeat with any remaining fence sections.

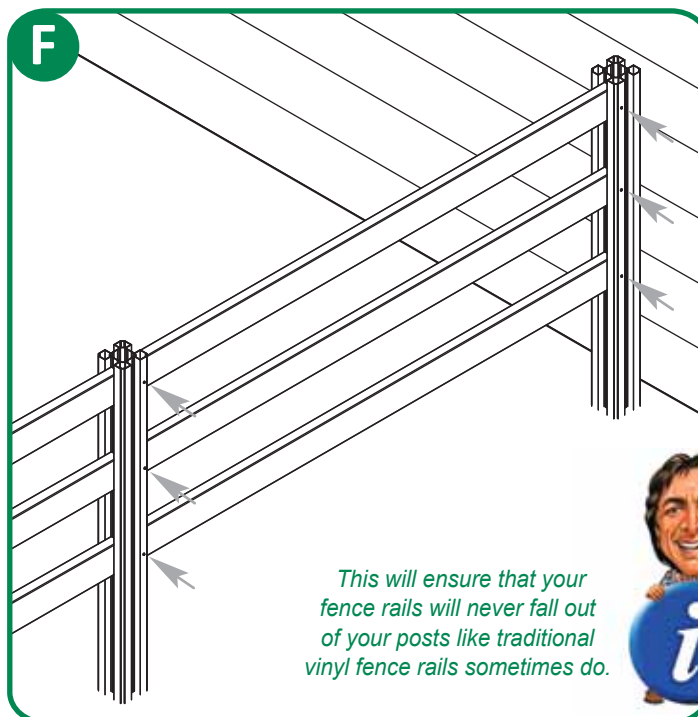
### SCREW RAILS TO POSTS

### VERY IMPORTANT

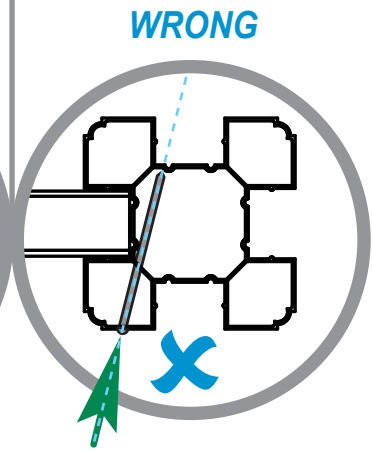
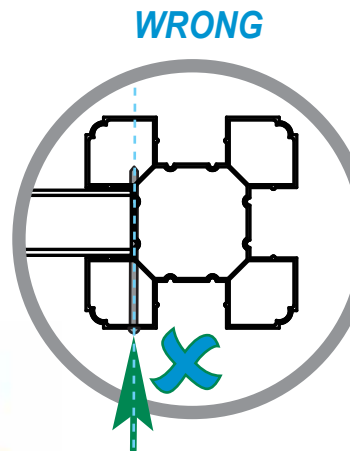
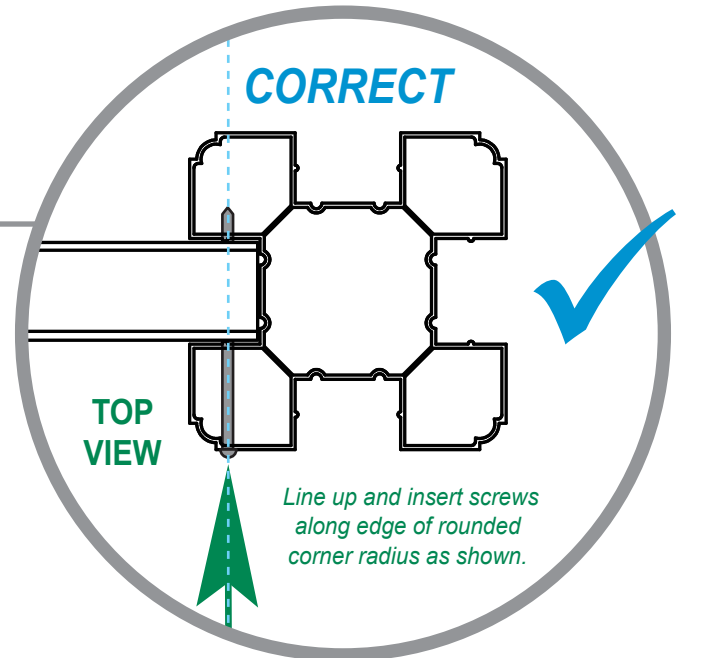
Screws must be inserted straight and into the correct area of the post/rail as indicated.



Fasten a 3.5 inch screw through the posts into the rails.



Repeat in each rail for a total of six per panel.



Screw has not been lined up nor inserted into the post correctly and has missed the rail entirely.

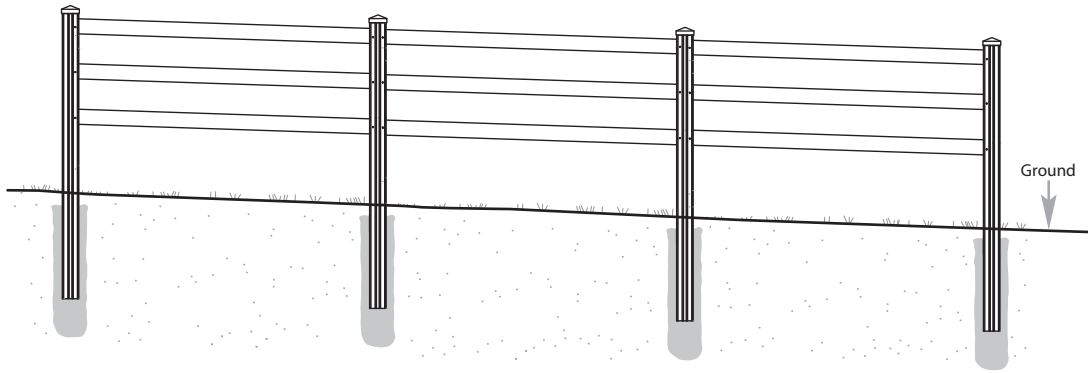
# 3-Rail Vinyl Ranch Fence (2 Pack)



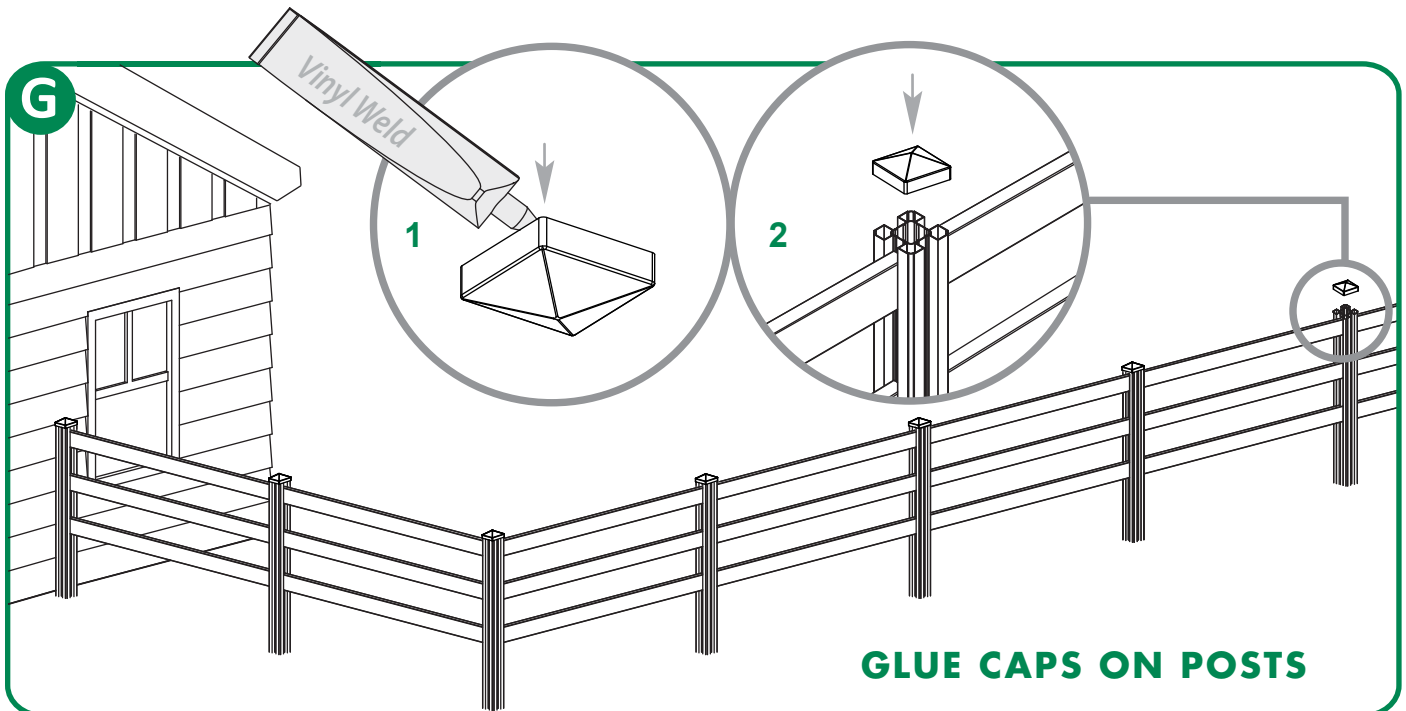
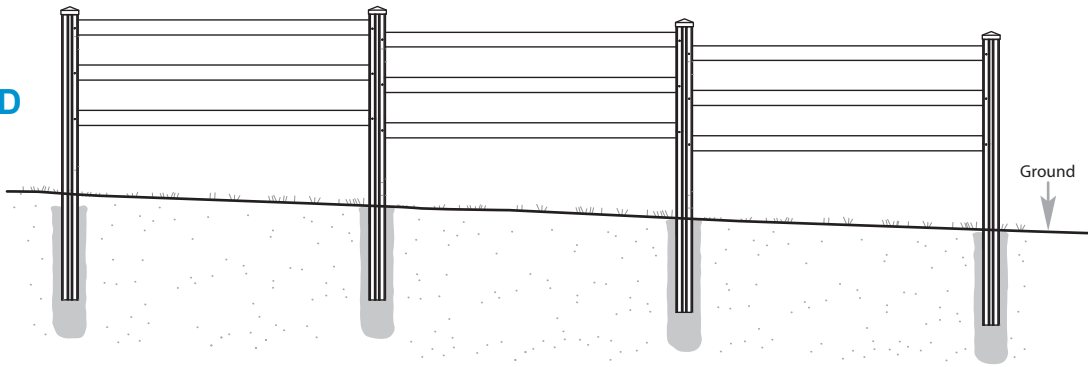
## TRADITIONAL

Most yards are relatively level and will allow for a fairly simple installation. If your yard is steeply pitched, or is very uneven, you may need to either slope, or stair-step your panels as illustrated below. Post height can be trimmed down as necessary.

### SLOPED



### STAIR-STEPPED



### GLUE CAPS ON POSTS

- 1 - Put a small bead of vinyl glue or weld (purchased separately at hardware store) along the inside of the cap.
- 2 - Place the glued cap on the vinyl post and allow to set for 5-10 minutes.

For more information, contact us at 1 877-778-5733.