

# Material Preparation

**Note:** Material to be sprayed may need to be strained to remove any impurities in the paint which may enter and clog the system. Impurities in the paint will give poor performance and a poor finish.

**Note:** Only thin the material if absolutely necessary to improve spray performance (or if advised by coating manufacturer). Optimal spray performance should be achieved simply by adjusting the various controls on the unit.

## Thinning the material:

For certain spraying situations or desired finishes, thinning the material may be desired. It is not necessary for most materials when used with the iSpray nozzle. For use with the Detail Finish nozzle thinning may be needed to achieve a finer finish. Make sure you adjust the X-Boost™ and Material Flow settings for your specific material needs.

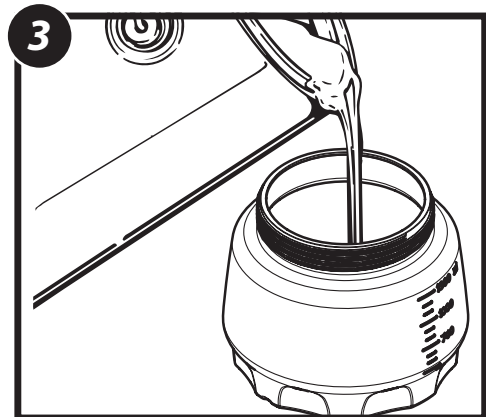
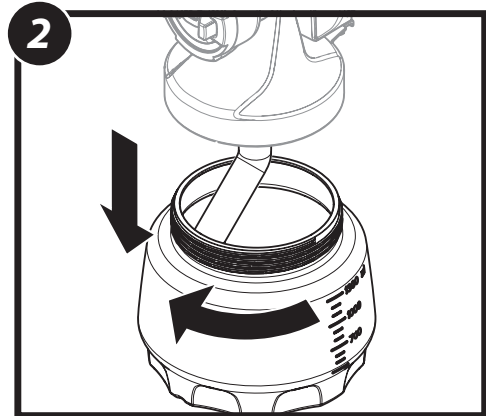
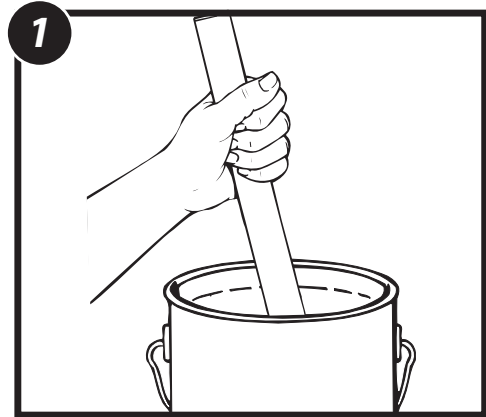
If thinning is necessary, use the proper solvent as specified by the material manufacturer. Never exceed the thinning advice given by the coating manufacturer.



**Do not thin with materials that have a flashpoint below 100°F (38°C). The material flashpoint should be shown on the material container.**

## To Prepare the Material:

1. Stir the spraying material thoroughly.
2. Unscrew the cup from the nozzle.
3. After the material has been properly thinned and strained, fill the container to desired level. Do not attach the container to the nozzle yet.



# Assembly

## Before you begin:



**NEVER** point the spray nozzle at any part of the body.

**IMPORTANT:** Make sure the power cord is unplugged.

## To Assemble:

1. Insert the suction tube into the intake opening.
2. **Align the suction tube -**
  - a. If you are going to be spraying in a downward direction, the angled end of the suction tube should be pointing toward the front of the nozzle.
  - b. If you are going to be spraying in an upward direction, the angled end of the suction tube should be pointing toward the rear of the nozzle.

**Note:** Make sure the suction tube is inserted as far as it will go to ensure a tight fit.

3. Carefully screw the cup back onto the nozzle assembly. Tighten firmly.
4. Align the arrow on the nozzle with the “unlock” symbol on the spray gun handle.
5. Insert and twist the nozzle into the handle toward the “lock” symbol on the handle. The tab below the trigger will lock the two pieces into place.
6. Insert the air hose tightly into the air hose port in the Power Box.

**IMPORTANT:** If the unit has already been used, make sure the nozzle seal is in place (see pages 13-14).

7. Turn the Power Box switch ON (I). Turn switch on handle to ON (I). The turbine will not run until handle switch is set to ON (I).

**Note :** Do not pull trigger at any time if the turbine is not running.

