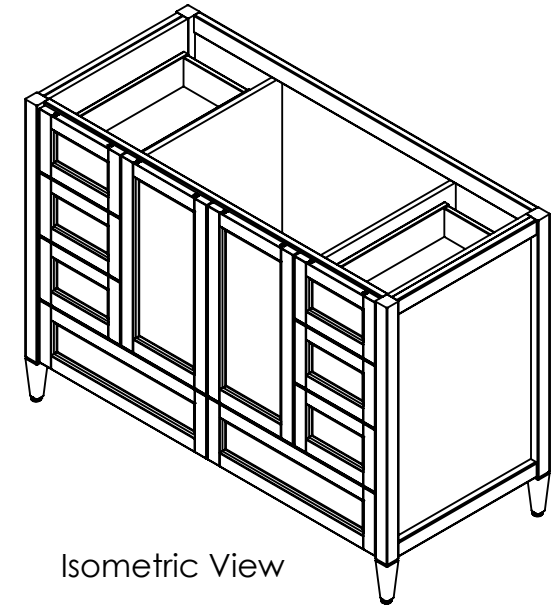
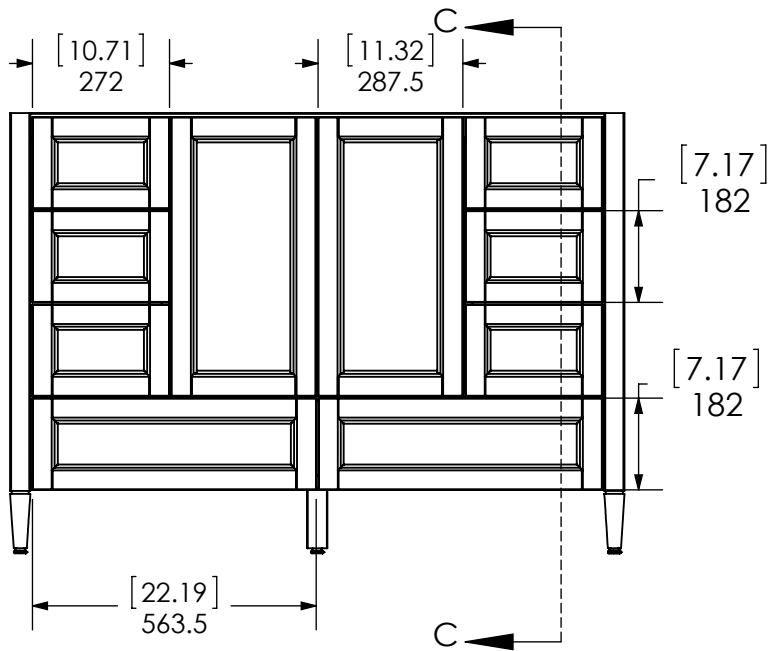


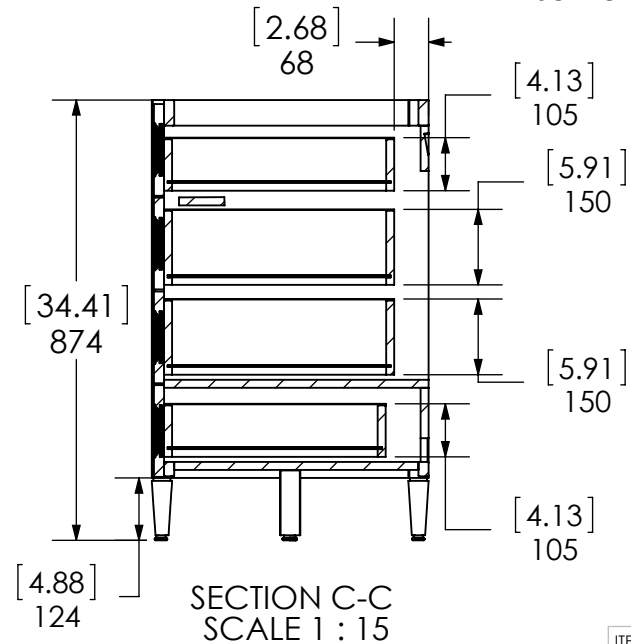
Top View



Isometric View



Front View



SECTION C-C  
SCALE 1 : 15



ITEM: **CB48-WH SRSD4821-CH** REV  
**CB48-ST SRSD4821-CR**  
**CBSD48-FG**

**A**

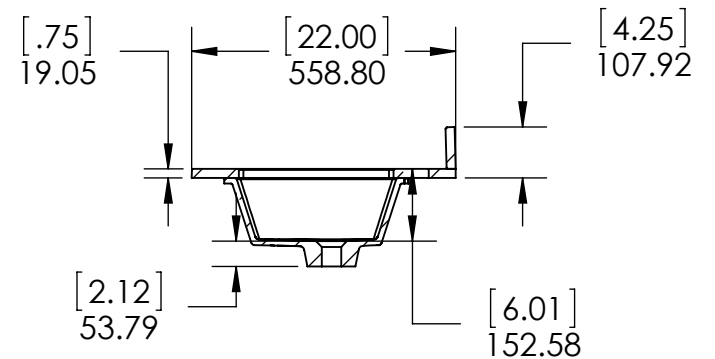
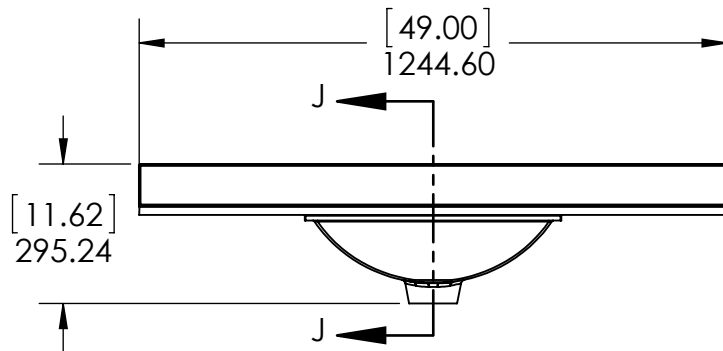
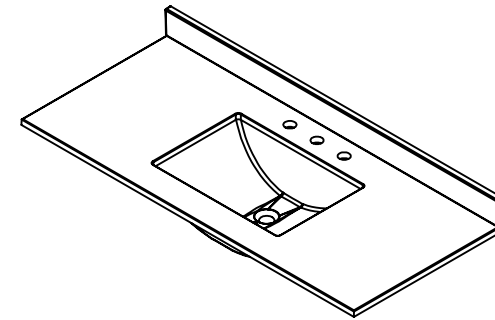
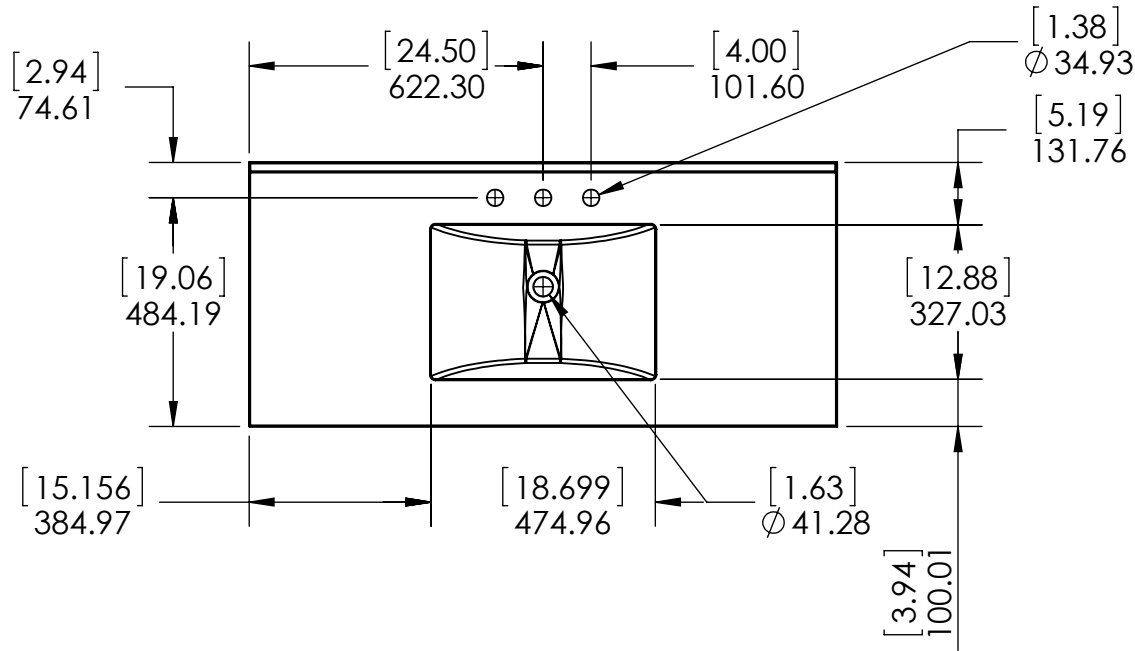
Name: **Claxby 48in - White/  
Sterling**

DRW:	ARB	03/26/18
REV:	ING	03/26/18
APP:	R&D	03/26/18

MATERIAL: **German Beech 4/4  
Laminated Particle Board**

SCALE: 1:15    MODELO: **Vanity Claxby 48**

Rev #	Approved by	Change
0	R. Rubio	Released
1	O. Razo	New model added



**PROPRIETARY AND CONFIDENTIAL**  
 THE INFORMATION CONTAINED IN THIS DRAWING IS THE SOLE PROPERTY OF WOODCRAFTERS. ANY REPRODUCTION IN PART OR AS A WHOLE WITHOUT THE WRITTEN PERMISSION OF WOODCRAFTERS IS PROHIBITED.

UNLESS OTHERWISE SPECIFIED  
 DIMENSIONS ARE IN MM. AND [INCHES]  
 TOLERANCES ARE  
 +0.125 [3.175] -0.125 [-3.175]  
 SCALE:1:16

	NAME	DATE
DRAWN	R. Rubio	08/22/16
CHECKED	R. Rubio	08/22/16
ENG APPR.	R. Rubio	08/22/16
MFG APPR.	C. Leal	08/22/16

**Wood Crafters**  
 Vtop Stone Effect, Rect 49x22  
 SIZE DWG. NO. A  
 SHEET 1 OF 2  
 REV. 1

ID	Description	Technology	Status
SE4922-CA	Stone Effects 49x22in Capri VTop	Stone Effect	Approved for production
SER49-DN	Vtop SE Rect 49X22 Shark Tank Dot Com -Dune	Stone Effect	Approved for production
SERST49-WM	Vtop SE Rect 49X22 Shark Tank - Winter Mist	Stone Effect	Approved for production
SE49R-PR	Vtop SE Rect 49X22 Shark Tank - Pulsar	Stone Effect	Approved for production
SE49R-MG	Vtop Rect 49x22 SE Mineral Gray 8in	Stone Effect	Approved for production

Rev #	Approved by	Change
0	R. Rubio	Released
1	O. Razo	New model added

**PROPRIETARY AND CONFIDENTIAL**  
 THE INFORMATION CONTAINED IN THIS DRAWING IS THE SOLE PROPERTY OF WOODCRAFTERS. ANY REPRODUCTION IN PART OR AS A WHOLE WITHOUT THE WRITTEN PERMISSION OF WOODCRAFTERS IS PROHIBITED.

UNLESS OTHERWISE SPECIFIED  
 DIMENSIONS ARE IN MM. AND [INCHES]  
 TOLERANCES ARE  
 + 0.125 [3.175] - 0.125 [-3.175]  
 SCALE:1:16

	NAME	DATE
DRAWN	R. Rubio	08/22/16
CHECKED	R. Rubio	08/22/16
ENG APPR.	R. Rubio	08/22/16
MFG APPR.	C. Leal	08/22/16

		SHEET 2 OF 2
SIZE	DWG. NO.	REV. <b>1</b>
<b>A</b>	Vtop Stone Effect, Rect 49x22	