

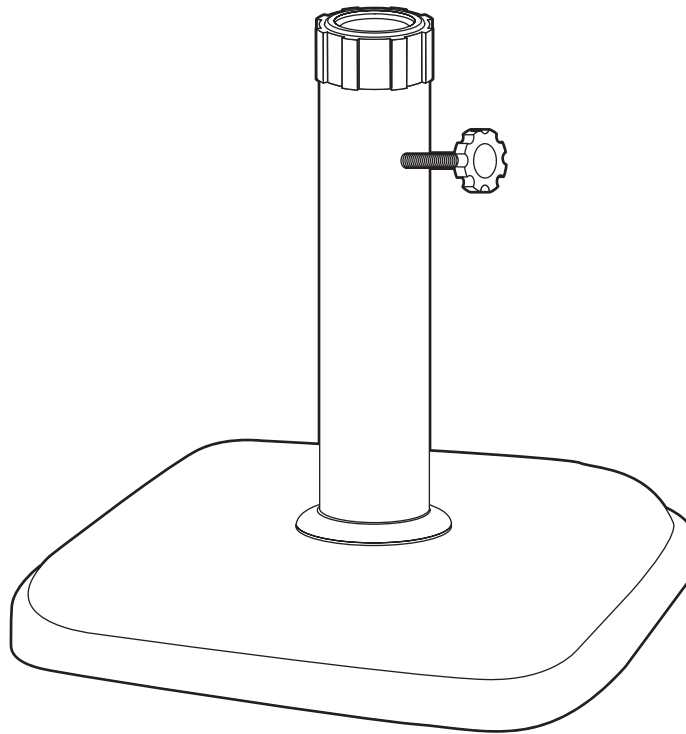
Item #383 643

Item #1000 067 178

Model #DTH11-B-BR

USE AND CARE GUIDE

UMBRELLA BASE



Questions, problems, missing parts? Before returning to the store,
call Customer Service

1-877-527-0313

HOMEDEPOT.COM

Table of Contents

Table of Contents 2
Safety Information 2
Warranty 2
 Limited Warranty 2
 What is Covered 2
 What is Not Covered 2
Pre-assembly 3
 Planning Assembly 3
 Hardware Included 3
 Package Contents 4

Assembly 5
Care and Cleaning 6

Safety Information

- This is not a free-standing umbrella base. This base must be used under a matching table.



DANGER: Do not allow children to play with plastic wraps or small parts to prevent potential choking hazard.



CAUTION: Read all the instructions before assembly. Failure to do so may result in faulty assembly and potential injury!

NOTICE: As a safety precaution, when umbrella is not in use please crank down and take completely out of the base and store in a safe location.

Warranty

LIMITED WARRANTY

This warranty is a limited warranty, and applies to the original purchase only. Proof of purchase is required. This is a residential warranty and does not apply to commercial use. This collection carries a (1) year limited warranty and is valid from original date of purchase to the original owner (proof of purchase required).

WHAT IS COVERED

We warrant the frame to be free of Manufacturing defects to the original purchaser for one year .

WHAT IS NOT COVERED

It remains the customer's responsibility for freight and packaging charges to and from our service center. This warranty does not cover commercial use, hardware, acts of nature, fire, freezing and abusive use. In addition, purchased parts are not covered under this warranty. We reserve the right to make substitutions with similar merchandise, if the model in question is no longer in production.


For a copy of our full limited warranty, please contact our customer service team below.

Contact the Customer Service Team at 1-877-527-0313 or visit www.HomeDepot.com.

Pre-assembly

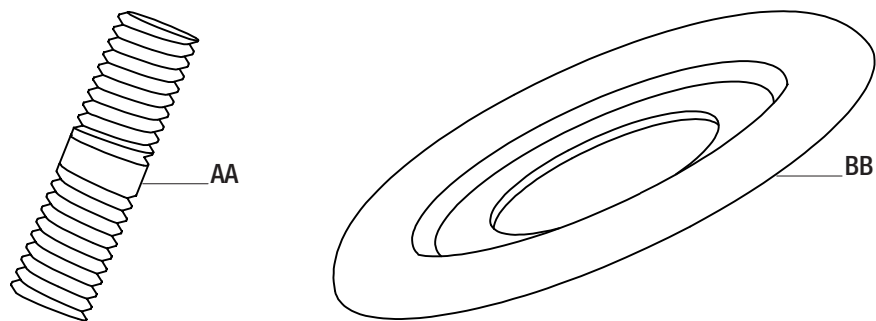
PLANNING ASSEMBLY

Assemble the item on a soft, non-abrasive surface, such as carpet or cardboard to avoid damaging the item. Seek assistance to assemble bulky or heavy items.

 **NOTE:** Identify all parts packed in the carton against the parts list. Remove all the protective material carefully and DO NOT use a knife to prevent scratching the furniture.

HARDWARE INCLUDED

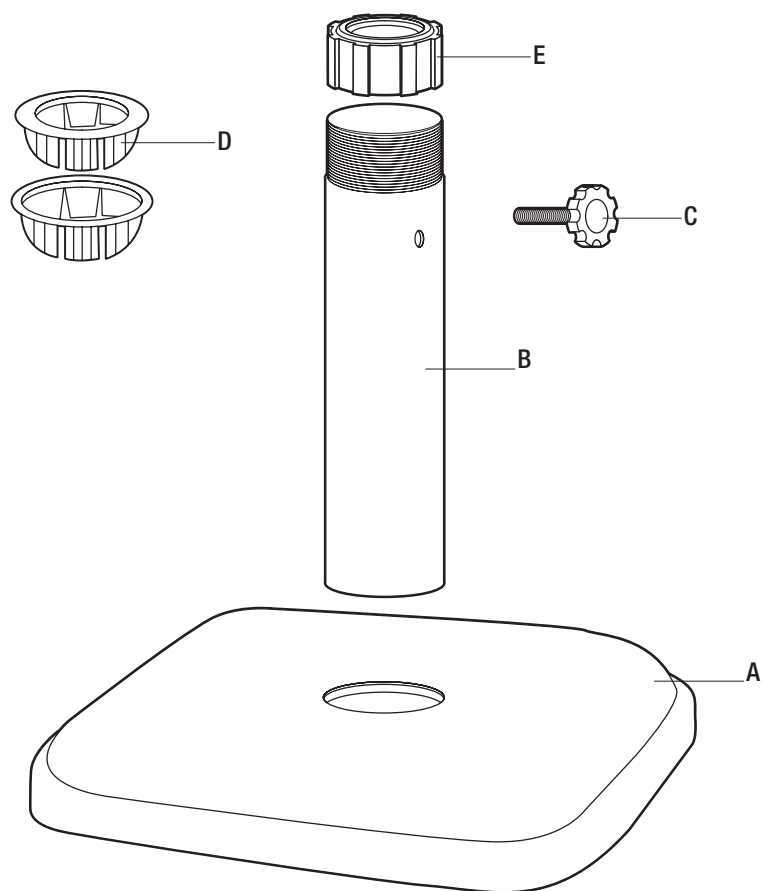
 **NOTE:** Hardware shown to actual size.



Part	Description	Quantity
AA	Locking bolt	1
BB	Washer	1

Pre-assembly (continued)

PACKAGE CONTENTS

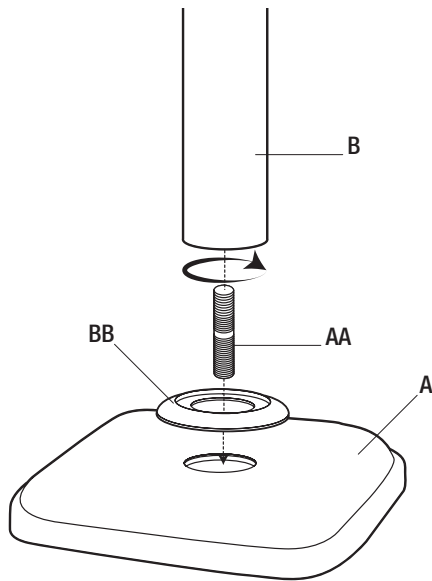


Part	Description	Quantity
A	Umbrella base	1
B	Umbrella pole	1
C	Adjustable handle	1
D	Adapter	2
E	Cap	1

Assembly

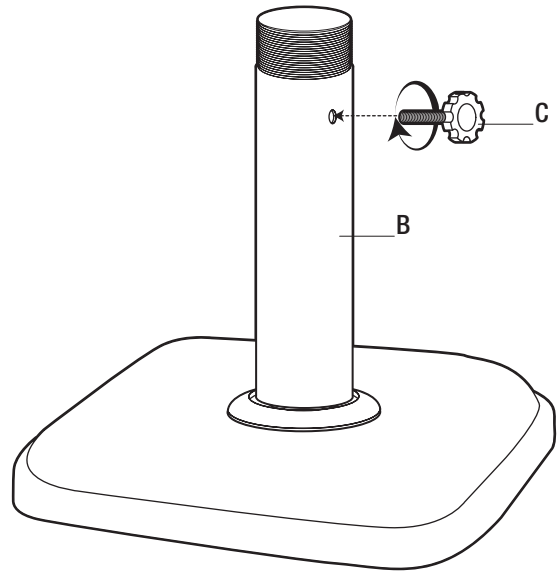
1 Attaching the umbrella pole

- Place the washer (BB) on the center of the umbrella base (A).
- Screw the locking bolt (AA) into the umbrella base (A).
- Screw the umbrella pole (B) onto the locking bolt (AA).



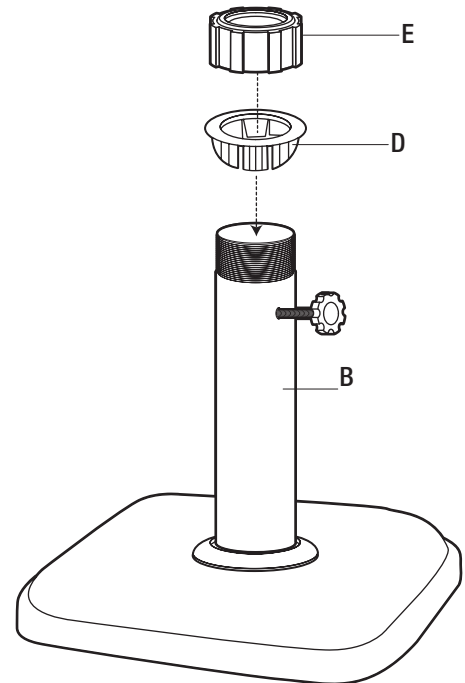
2 Attaching the handle

- Screw the adjustable handle (C) into the umbrella pole (B).



3 Attaching the adapters and cap

- Select the correct adapter (D) for your umbrella pole size.
- Insert the adapter (D) into the umbrella pole (B).
- Screw the cap (E) onto the umbrella pole (B) to hold the adapter in place.



Care and Cleaning

- Be careful to never allow water to build up in frames as this will cause corrosion and freeze damage in cold climates.
- Wash all frames with a solution of mild soap and water. Rinse with clean water and dry with a soft absorbent cloth towel. Frames can be treated with a liquid wax for maximum protection against UV rays and/or salty damp air.
- Do not use bleach or solvents to clean any product! This will void the warranty.

Questions, problems, missing parts? Before returning to the store,
call Customer Service

1-877-527-0313

HOMEDEPOT.COM

Retain this manual for future use.