

## FAUCET SPECIFICATIONS

# VIGO

### Pull-Down Spray Kitchen Faucet Model VG02014

#### MODEL VG02014

#### FEATURES

- Solid brass construction
- Spray face that resist mineral build up
- Finish resist corrosion and tarnishing
- Ceramic disk cartridge
- Single hole construction
- 360° Swivel
- Single lever sprayer

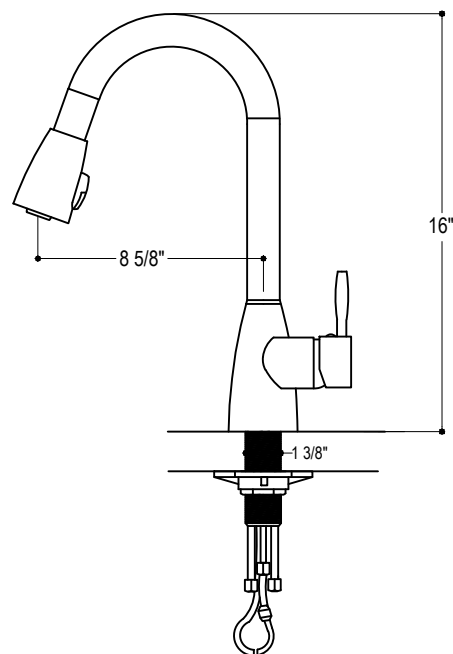
#### PACKING LIST

- Faucet Assembly
- Sprayer
- Allen Key
- Two Metal braided hoses
- Weight
- Plastic Holder

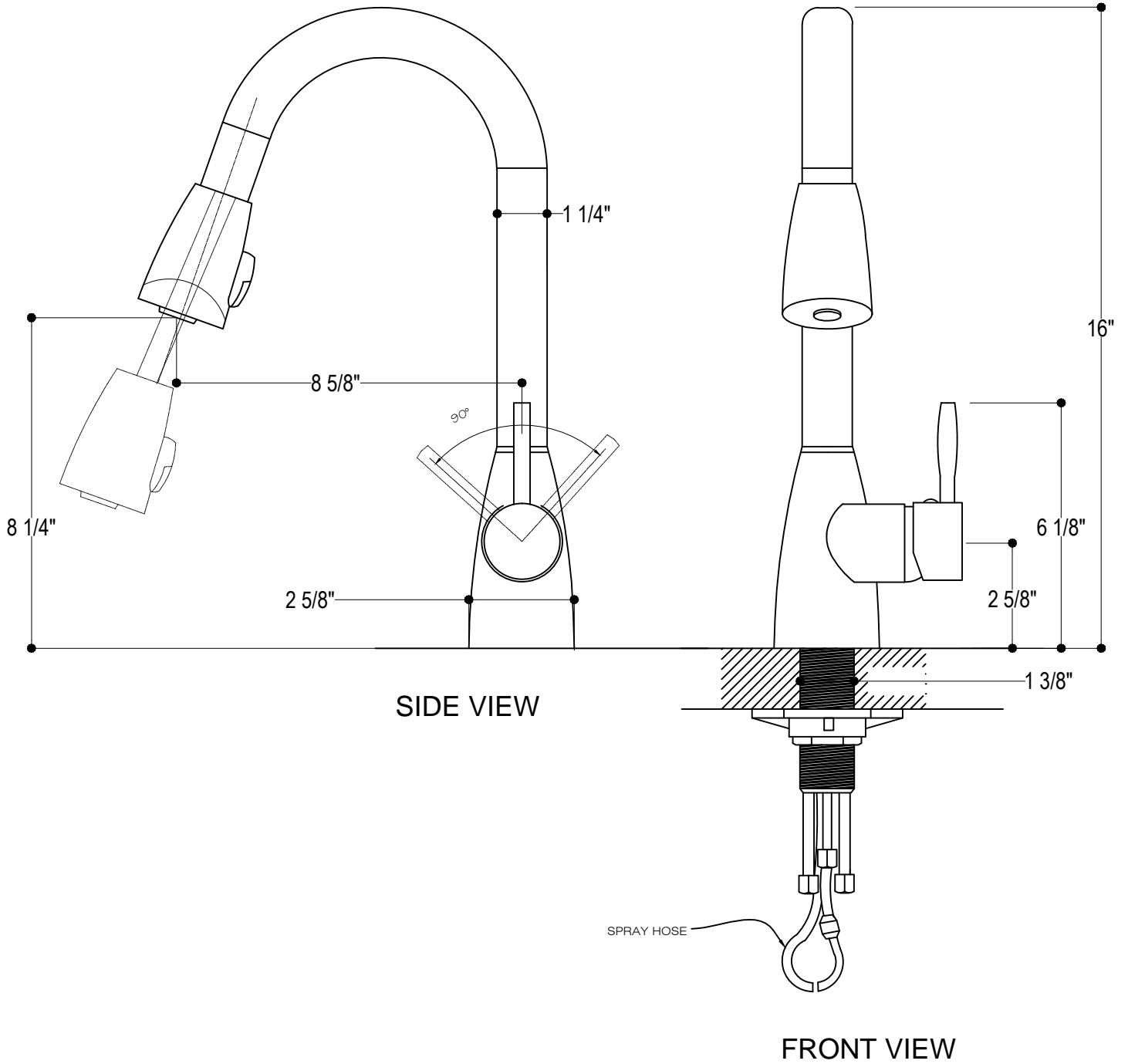


#### DIMENSIONS

MODEL #	HOLE DIAMETER	FAUCET HEIGHT	SPRAYER REACH
VG02014	1 3/8"	16"	8 5/8"



NOTE: All faucets are compliant to CEC 2016 regulations. If you have inquiries about your water flow, please email [techmail@vigoindustries.com](mailto:techmail@vigoindustries.com).

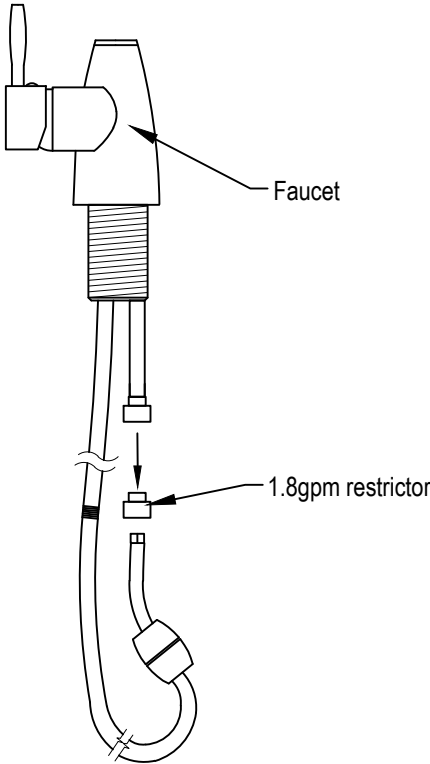
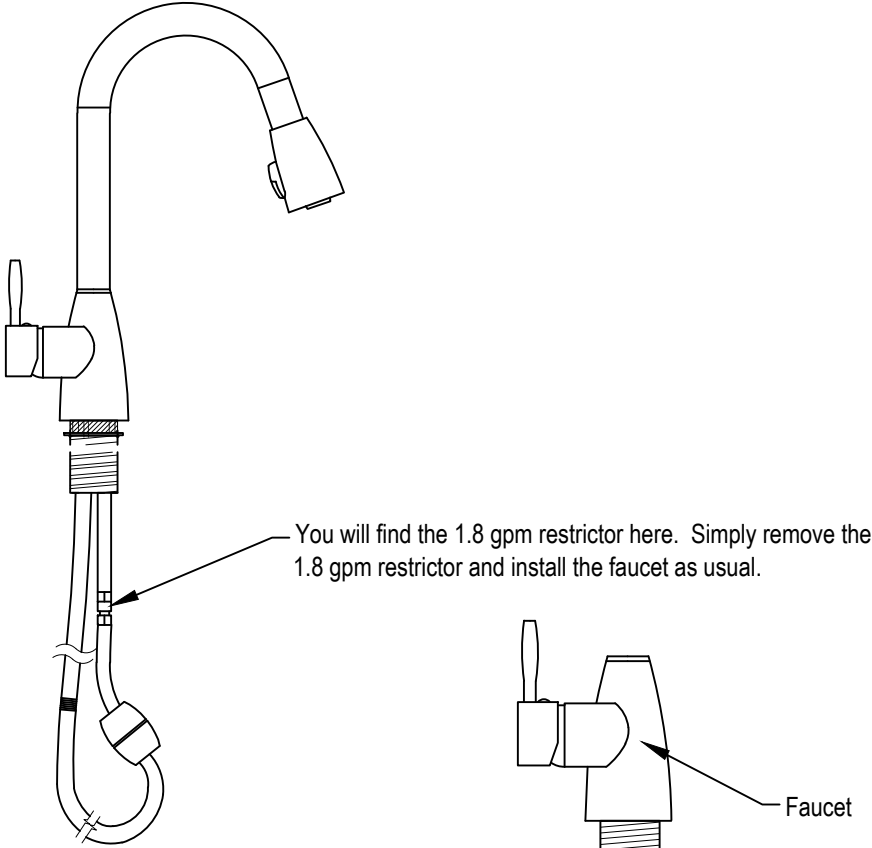
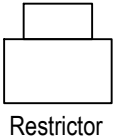


VG02014

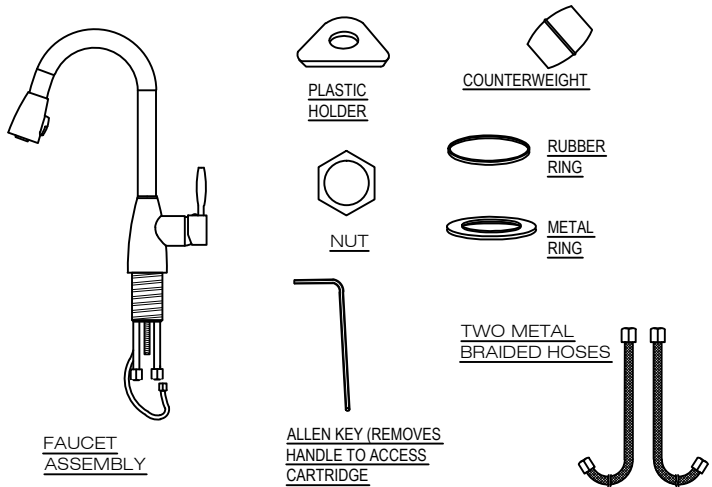
THE MEASUREMENTS IN INCHES ARE ROUNDED TO THE NEAREST 1/8"

This product meets the CEC requirements. It is up to the discretion of the client to modify the product with the provided restrictor. Doing so will remove the ability for the product to meet certain low flow standards. Please talk to your local or statewide plumbing enforcement agency prior to modifying. Vigo is not responsible for any alterations and the affects that may come with altering the product post sale and highly advises that the client only install the product that meets the needs of their local plumbing code.

Flow rate with restrictor - 1.8 gpm  
Flow rate without restrictor - 2.2 gpm

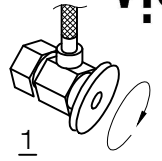


## PACKAGE CONTENT



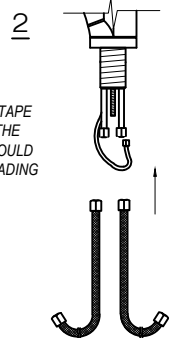
## ASSEMBLY

1. SHUT OFF WATER SUPPLY. REMOVE THE OLD FAUCET AND FLEXIBLE HOSES. CLEAN SINK SURFACE WITH A NON ABRASIVE CLEANER IN PREPARATION FOR THE NEW FAUCET.



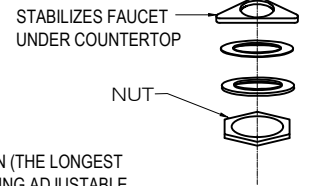
2. THREAD FEMALE END OF METAL BRAIDED HOSE TO THE FAUCET (2).

⚠ ENSURE THAT YOU USE PIPE TAPE AND DO NOT OVER TIGHTEN THE SUPPLY LINE NUTS AS THIS COULD CAUSE PRODUCT FAILURE LEADING TO WATER DAMAGE.



3. POSITION THE FAUCET IN THE COUNTERTOP HOLE, FROM BENEATH THE COUNTERTOP HOLE ASSEMBLE THE PLASTIC HOLDER, RUBBER RING, AND METAL RING IN THE ORDER DEPICTED IN THE DIAGRAM. THEN THREAD METAL NUT ONTO HOLLOW PIN. TIGHTEN THE METAL NUT UNTIL FAUCET IS SECURE.

⚠ ENSURE THAT PARTS ARE ASSEMBLED IN THE ORDER AS DEPICTED IN DIAGRAM TO PREVENT DAMAGE TO FAUCET AND SUPPLY LINES.

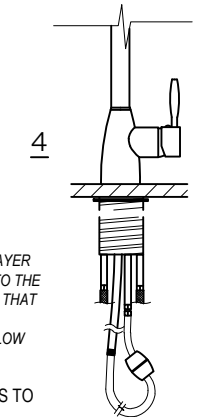


4. SCREW SPRAY HOSE TO THE COPPER PIN (THE LONGEST PIN). MAKE SURE TO HAVE A TIGHT SEAL USING ADJUSTABLE WRENCH. ATTACH SUPPLIED COUNTERWEIGHT TO THE HOSE.

⚠ DO NOT OVER TIGHTEN CONNECT POINT AS THIS COULD CAUSE PRODUCT FAILURE LEADING TO WATER DAMAGE

5. (IF NOT DONE ALREADY) ATTACH SPRAYER TO FEMALE CONNECTION OF SPRAYER HOSE BY HAND AND TIGHTEN UNTIL SECURE. MAKE SURE THE BLACK WASHER WITH SCREEN IS SEATED AND INSTALLED PROPERLY.

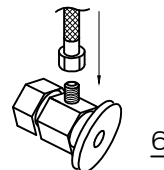
⚠ USE WASHER WITH SCREEN AT CONNECTION POINT BETWEEN SPRAYER AND SPRAYER HOSE. THIS WILL STOP DEBRIS FROM TRAVELING INTO THE SPRAYER HEAD AND EFFECTING ITS FUNCTIONALITY. PLEASE NOTE THAT THE SCREEN WASHER WILL NEED TO BE REMOVED AND CLEANED APPROXIMATELY ONCE EVERY 3 MONTHS TO AVOID BUILD UP AND LOW WATER FLOW.



6. ATTACH THE FEMALE CONNECTIONS OF THE FLEXIBLE HOSES TO THE COLD AND HOT WATER SUPPLY .

⚠ ENSURE THAT YOU USE PIPE TAPE AND ADJUSTABLE WRENCH, DO NOT OVER TIGHTEN AS THIS COULD CAUSE PRODUCT FAILURE LEADING TO WATER DAMAGE.

7. AFTER INSTALLATION IS COMPLETE, TURN ON THE WATER SUPPLY AND ALLOW BOTH HOT AND COLD WATER TO RUN SEPARATELY FOR AT LEAST TWO MINUTE EACH. WHILE WATER IS RUNNING, CHECK FOR LEAKS. IT IS IMPORTANT TO VIEW THE CONNECTIONS AT THE MALE AND FEMALE FLEXIBLE HOSE CONNECTIONS. IF LEAKS ARE DETECTED, REFER BACK TO THE INSTRUCTIONS AND ADJUST ACCORDINGLY. TIGHTENING NUTS SLIGHTLY MAY STOP ANY MINOR LEAKS.



## REQUIRED TOOLS

- Adjustable wrench
- Allen key - supplied (to remove cartridge if needed)
- Plumber's putty - optional
- Pipe tape
- Flat screwdrivers

## SAFETY TIPS

If you use soldering for the installation of the faucet, the seats, cartridges and washers will have to be removed before using flame. Damage caused by improper soldering will void the warranty. Protect your eyes with safety glasses when cutting or soldering water supply lines.

## IMPORTANT POINTS

Prior to beginning installation, turn off the cold and hot water lines and open the hot and cold knobs on the old faucet to release pressure. When installing your new faucet, turn the connector nuts finger-tight, then use one wrench to anchor the fitting and a second wrench to tighten the nut. Connections that are too tight will reduce the integrity of the system and potentially cause product failure which could lead to water damage. Wrap all threaded connections with pipe tape available at your local hardware or plumbing supply store. Always wrap in a clockwise direction. Not all necessary supplies to install your faucet are included, however, they are available wherever plumbing supplies are sold. Prior to installing the faucet please FLUSH THE HOT AND COLD WATER SUPPLY LINES that are or will be connected to the new faucet to remove scale, solder or their impurities which could damage the faucet and potentially void the warranty.

## MAINTENANCE

Your new faucet is designed for years of trouble-free performance. Keep it looking new by cleaning it periodically with a soft cloth. Avoid abrasive cleaners, steel wool and harsh chemicals as these will scratch, dull, and/or damage the finish and void the warranty.

## INSTALLATION

**Installation must be done by a qualified licensed plumber.**

Prior to installation please read the instructions thoroughly, confirm that all parts are included and visually inspect the unit for any defects.

If you have any questions please contact the Vigo Technical Support Department before proceeding with installation.

# TROUBLESHOOTING

PROBLEM	POTENTIAL CAUSE	CORRECTIVE ACTION
1 - Leaks from handle	1.A - Cartridge unseated	1.A - Remove cartridge from housing, wash thoroughly with hot water and reseat in housing.
2 - Insufficient flow rate	1.B - Cartridge defective	
3 - Leak at connection points	2.A - Dirty aerator	1.B - Contact Vigo Technical Support for replacement.
4 - Loose faucet body	2.B - Clog in supply hose / line	2.A - Remove and soak / clean with a non abrasive agent (i.e. vinegar). 2.B - Remove sprayer or supply line and flush lines
5 - Sprayer button stops working	3.A - Sprayer hose not tight	
	3.B - Flexible hose leaking at body or connection point	3.A - Remove sprayer and check integrity of the black washer. Make sure the washer is seated properly and retighten.
	4. - Metal nut became loose	3.B - Tighten hoses. If this does not resolve the issue, remove the flexible hose and rethread, checking to make sure the connection is secure. Make sure to use pipe tape.
	5.A - Debris in aerator	4. - From under the counter, use an adjustable wrench and tighten the metal nut to the hollow pipe. Make sure the faucet is perpendicular to the counter.
	5.B - Wear and tear on button	
		5.A - Remove and clean aerator.
		5.B - Contact Vigo Technical Support for replacement.

## PARTS LIST - For any parts needed but not shown, please contact Vigo Technical Support

PART	PART #	FINISH	SUPPLY DATE INDICATOR (INTERNAL USE ONLY)
Pull out Hose (black nylon)	74019	ST, MB	W
Sprayer	78041	ST, MB	W
Handle Lever	78039A	ST, MB	W
Handle	78039B	ST, MB	W
Handle Set Screw	78039C	ST, MB	W
Sedal Cartridge	74040	-	W
Metal braided Hose	74020	-	W
Sprayer Washer	74008	-	W
Black Washer with Screen	74010	-	W

TOLL FREE: (866) 591 - 7792

E-Mail: [techmail@vigoindustries.com](mailto:techmail@vigoindustries.com)

[www.vigoindustries.com](http://www.vigoindustries.com)



# VIGO INDUSTRIES, LLC ("VIGO") FAUCET LIMITED LIFETIME WARRANTY

EFFECTIVE APRIL 1, 2013

VIGO offers the following limited warranty on each of its Faucet products (the "Product") and the components thereof. This warranty extends only to the original owner for personal household use. For commercial uses, additional limitations apply.

VIGO warrants the structure of the Product to be free from defects in workmanship and materials under normal use and service for the period commencing from the initial date of purchase by the owner, contractor, or builder, from VIGO or an authorized VIGO dealer, through the lifetime of the original owner or end-user.

VIGO warrants the cartridge component of the Product to be free from defects in workmanship and materials under normal use and service for a period of five (5) years from the initial date of purchase by the owner, contractor, or builder, from VIGO or an authorized VIGO dealer.

VIGO warrants the spray assembly and other mechanical components of the Product to be free from defects in workmanship and materials under normal use and service for a period of one (1) year from the initial date of purchase by the owner, contractor, or builder, from VIGO or an authorized VIGO dealer.

Subject to the Warranty Service provision below, any product reported to the authorized dealer or to VIGO as being defective within the warranty period will be repaired or replaced (with a product of equal value) at the option of VIGO. This warranty extends to the original owner and is not transferable to a subsequent owner.

Neither the distributor, authorized VIGO dealer, nor any other person has been authorized to make any affirmation, representation, or warranty other than those contained in this warranty. Any affirmation, representation, or warranty other than those contained in this warranty shall not be enforceable against VIGO or any other person.

VIGO reserves the right to modify this warranty at any time, it being understood that such modifications will not alter the warranty conditions applicable at the time of sale of the products in question.

## Limitations

This warranty shall not apply to instances of incorrect operating procedures, breakages, or damages caused by fault through improper installation, carelessness, abuse, misuse, misapplication, improper maintenance, or alteration of the Product, as well as chemical or natural corrosion, accident, fire, flood, an act of God, or any other casualty. Avoid abrasive cleaners, steel wools, and harsh chemicals as these will scratch, damage, and / or dull the product and / or finish and void this warranty. The owner of the Product covered by the present warranty is entirely responsible for its proper installation and any applicable plumbing or electrical wiring. VIGO neither installs nor supervises the installation nor hires a contractor for this purpose; consequently, VIGO cannot be held responsible for any default, breakage, or damages caused thereby or resulting thereof, either directly or indirectly.

The owner must provide access to the components of the Product as described in the installation guide so that VIGO can execute the warranty specified herein. If such access is not available, all expenses to provide said access will be the responsibility of the owner.

This warranty does not apply to Products that have not been installed or operated in accordance with instructions supplied by VIGO and all applicable rules, regulations, and legislation pertaining to such installations.

This warranty does not apply unless the VIGO Product is installed by fully insured licensed professionals. Vigo strongly recommends that such licensed professionals have experience in the installation of bathroom and kitchen products. [Installation of certain products, including without limitation glass products (i.e., shower doors and glass sinks) by an inexperienced person may result in product failure including, but not limited to, glass breakage which could result in personal injury or death.]

VIGO is not liable for personal injuries or deaths to any persons or for any direct, special, incidental, or consequential damage, loss of time, loss of profits, inconvenience, incidental expenses, labor or material charges, or any other costs resulting from the use of the product or equipment or pertaining to the application of the present warranty, or resulting from the removal or replacement of any product or element or part covered by this warranty.

EXCEPT AS OTHERWISE PROVIDED ABOVE, VIGO MAKES NO WARRANTIES, EXPRESSED OR IMPLIED, INCLUDING WARRANTIES OF MERCHANTABILITY AND FITNESS FOR A PARTICULAR PURPOSE OR COMPLIANCE WITH ANY CODE.

In any case, VIGO cannot be held liable for any amount over and above the purchase price paid for the Product by the owner/end-user, contractor, or builder.

## Commercial Limitations

In addition to the above conditions and limitations, the warranty period for products installed for commercial applications or used in commercial ventures is one (1) year from the initial date of purchase by the owner, contractor, or builder from an authorized dealer. VIGO is not responsible for loss of use or profit under any circumstances. If the product is used as a display, the warranty period begins from the date of purchase. This warranty gives the owner specific legal rights. The owner may also have other rights which can vary from one state or province to another.

## Warranty Service

In order to obtain service provided under this warranty during regular business hours, contact the dealer or distributor who sold the unit, or contact VIGO directly. VIGO will provide the warranty service described above when the following conditions have been met: the failure is of the nature or type covered by the warranty; the user has informed an authorized VIGO Agent or VIGO's warranty service department representative of the nature of the problem during the warranty period; conclusive evidence (e.g., proof of purchase or installation) is provided to the foregoing by the user proving that the failure occurred or was discovered within the warranty period; an authorized independent service person or company representative has been permitted to inspect the product during regular business hours within a reasonable time after the problem was reported by the user. Vigo's warranty obligation shall be discharged upon tender of replacement or repair. The customer's refusal to accept the tender terminates VIGO's warranty obligations.

Certification may be ended by VIGO or certification agencies without notice.

## ESPECIFICACIONES DEL GRIFO

# VIGO

Grifo de cocina con rociador extensible  
Modelo VG02014

MODELO VG02014

### CARACTERÍSTICAS

- Diseño en metal sólido
- Superficie del rociador resistente a la acumulación de minerales
- Acabado resistente a la corrosión y el deslustro
- Cartucho de disco cerámico
- Diseño de un solo orificio
- Giro de 360°
- Rociador monocomando

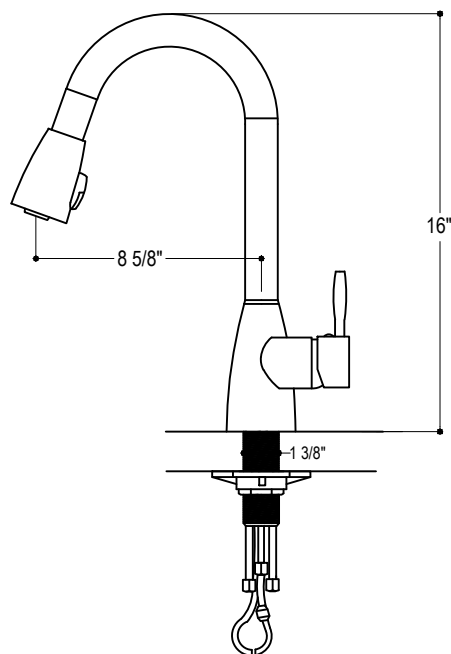
### LISTA DE CONTENIDO

- Conjunto del grifo
- Rociador
- Llave Allen
- Dos mangueras metálicas trenzadas
- Pesa
- Soporte plástico

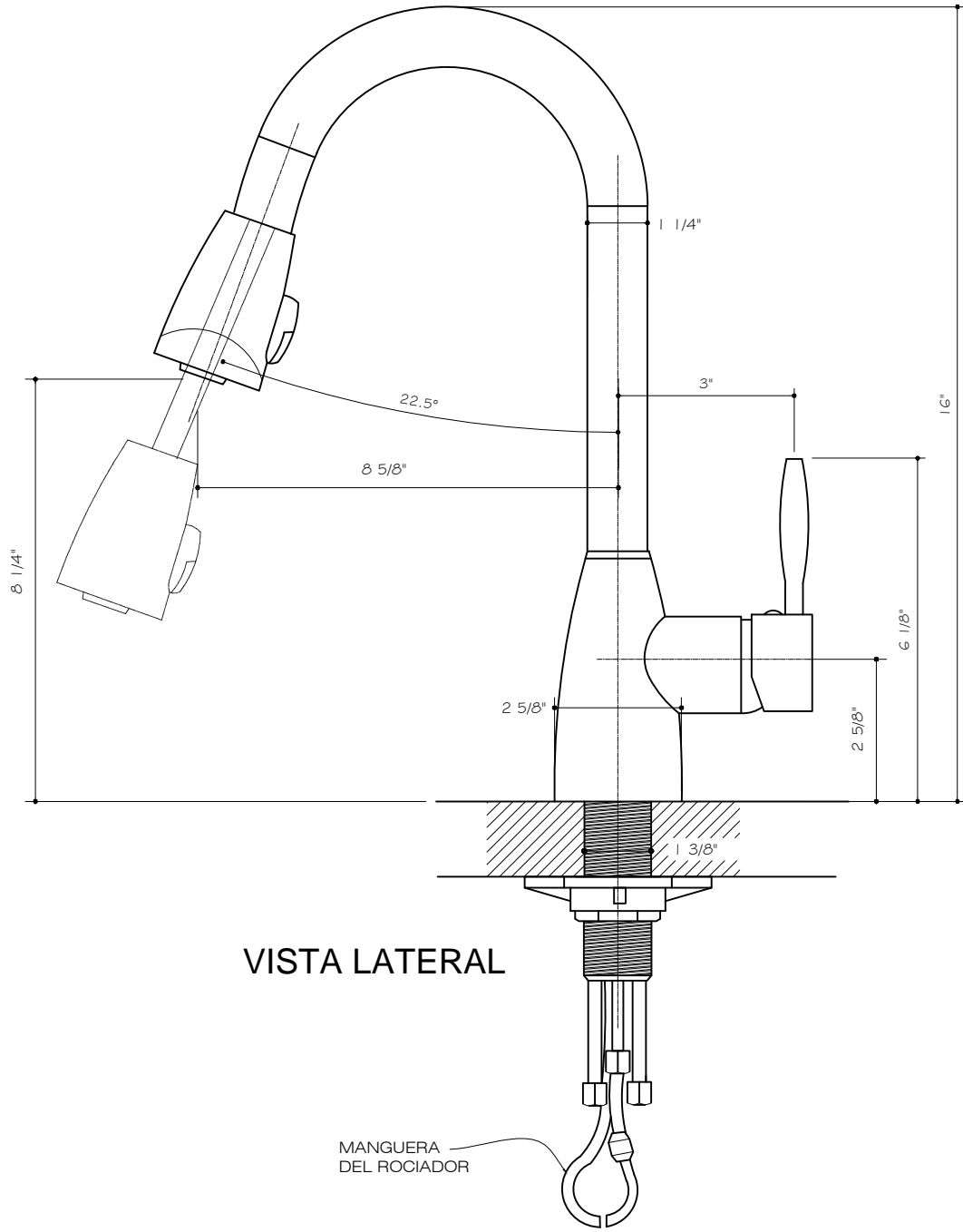


### DIMENSIONES

MODELO #	DIÁM. ORIFICIO	ALTURA GRIFO	ALCANCE ROCIADOR
VG02014	1 3/8"	16"	8 5/8"



NOTA: Todos los grifos cumplen con CEC 2016 regulaciones. Si usted tiene preguntas acerca de su flujo de agua, por favor escriba [techmail@vigoindustries.com](mailto:techmail@vigoindustries.com).



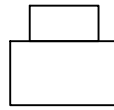
VG02014

LAS MEDIDAS EN PULGADAS SE REDONDEAN A 1/8" MÁS PRÓXIMO

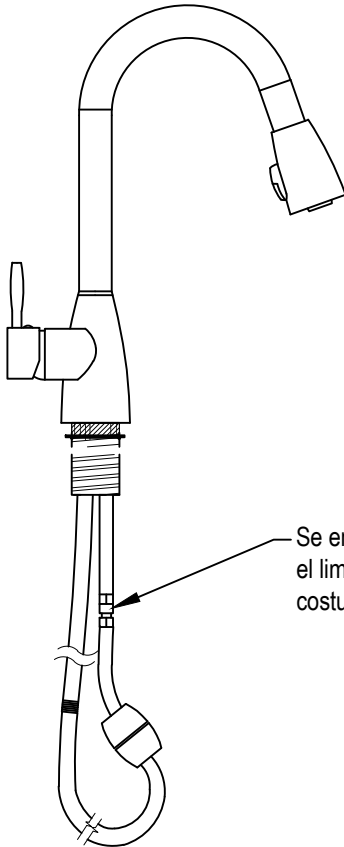


Este producto cumple con los requisitos de la CEC. Es a la discreción del cliente para modificar el producto con el restrictor proporcionado. Si lo hace, se eliminará la posibilidad de que el producto cumple con ciertos requisitos de bajo flujo. Por favor, consulte a su agencia de aplicación de la plomería local o estatal antes de la modificación. Vigo no es responsable de cualquier alteración y los efectos que pueden venir con la alteración de la post venta de productos y altamente informa que el cliente sólo instalar el producto que satisfaga las necesidades de su código de plomería local.

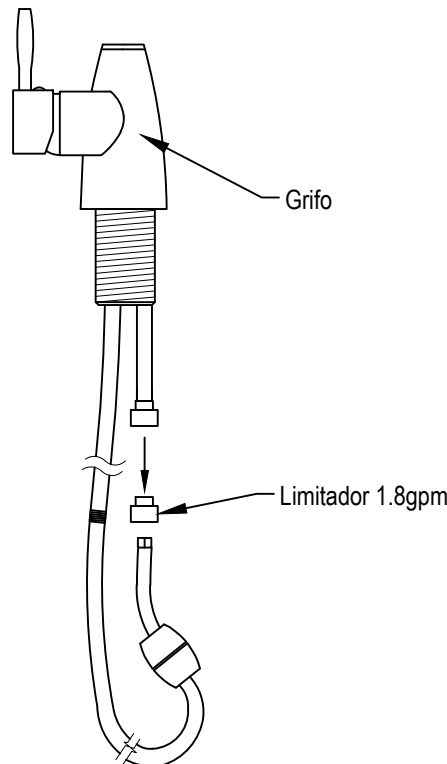
La velocidad de flujo con limitador - 1.8 gpm  
 Velocidad de flujo sin restrictor - 2.2 gpm



Restrictor



Se encuentra el limitador de 1,8 gpm aquí. Basta con quitar el limitador de 1,8 gpm e instalar el grifo como de costumbre.



Grifo

Limitador 1.8gpm

## CONTENIDO DE LA CAJA



## HERRAMIENTAS NECESARIAS

Llave de ajuste  
Llave Allen (se suministra) para retirar el cartucho, si fuera necesario  
Masilla para plomería - opcional  
Cinta para tuberías  
Destornilladores planos

## CONSEJOS DE SEGURIDAD

Si instala el grifo mediante soldadura, los asientos, los cartuchos y las arandelas deberán ser removidos antes de utilizar la llave. Los daños producidos por una soldadura inadecuada anularán la garantía.  
Al contar o soldar líneas de suministro de agua, protéjase los ojos con gafas de seguridad.

## PUNTOS IMPORTANTES

Antes de comenzar la instalación, cierre las líneas de agua fría y caliente y abra las llaves fría y caliente del grifo viejo para liberar la presión.  
Al instalar el grifo nuevo, coloque las tuercas de unión a mano y luego utilice una llave para sujetar el accesorio y una segunda llave para apretar la tuerca.  
Las conexiones demasiado apretadas reducirán la integridad del sistema y es posible que causen defectos en el producto que pueden derivar en daños por el agua.  
Envuelva todas las conexiones roscadas con cinta para tuberías, que puede encontrar en una ferretería o una tienda de artículos de plomería. Siempre envuelva en sentido horario.  
Si bien no se incluyen todos los elementos necesarios para instalar el grifo, estos pueden adquirirse en tiendas que comercializan suministros de plomería.  
Antes de instalar el grifo, ENJUAGUE LAS LÍNEAS DE SUMINISTRO DE AGUA FRÍA Y CALIENTE que están o serán conectadas al grifo nuevo a fin de remover el sarro, la soldadura y las impurezas que podrían dañar el grifo y anular la garantía.

## MANTENIMIENTO

Este grifo está diseñado para brindar años de funcionamiento sin problemas. Para mantenerlo como nuevo, límpielo periódicamente con un paño suave. Evite los limpiadores abrasivos, la lana de acero y los productos químicos agresivos ya que rayarán, opacarán o dañarán el acabado o anularán esta garantía.

## INSTALACIÓN

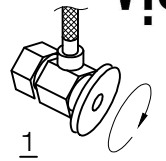
**La instalación debe ser realizada por un plomero autorizado cualificado.**

Antes de la instalación, lea las instrucciones detenidamente, verifique que estén incluidas todas las piezas e inspeccione visualmente la unidad a fin de descartar defectos.  
Si tiene dudas, comuníquese con el Departamento de Asistencia Técnica de Vigo antes de proceder con la instalación.

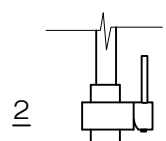
## MONTAJE

1. CIERRE EL SUMINISTRO DE AGUA. RETIRE EL GRIFO VIEJO Y LAS MANGUERAS FLEXIBLES. LIMPIE LA SUPERFICIE DEL LAVABO CON UN LIMPIADOR NO ABRASIVO PARA COLOCAR EL GRIFO NUEVO.

# VIGO



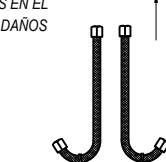
2. ENROSQUE EL EXTREMO HEMBRA DE LA TUBERÍA METÁLICA TRENZADA EN EL GRIFO (2).



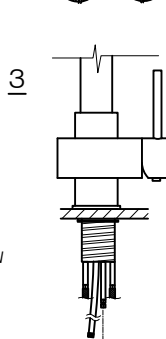
⚠ UTILICE CINTA PARA PLOMERÍA Y NO AJUSTE LAS TUERCAS DE LAS LÍNEAS DE SUMINISTRO EN EXCESO, YA QUE ESTO PODRÍA CAUSAR FALLAS EN EL PRODUCTO QUE DERIVEN EN DAÑOS POR EL AGUA.



3. COLOQUE EL GRIFO EN EL ORIFICIO DE LA MESADA. POR DETRÁS DEL ORIFICIO DE LA MESADA, ENSAMBLE EL SUJETADOR PLÁSTICO, EL ARO PLÁSTICO Y EL ARO METÁLICO EN EL ORDEN QUE INDICA EL DIAGRAMA. LUEGO, ENROSQUE LA TUERCA METÁLICA EN EL PASADOR HUECO. AJUSTE LA TUERCA METÁLICA HASTA ASEGURAR EL GRIFO.



⚠ ENSAMBLE LAS PIEZAS EN EL ORDEN QUE INDICA EL DIAGRAMA A FIN DE EVITAR DAÑOS EN EL GRIFO Y LAS LÍNEAS DE SUMINISTRO.



ESTABILIZA EL GRIFO DEBAJO DE LA MESADA

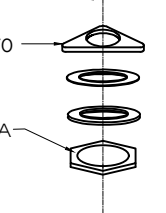
TUERCA

4. ENROSQUE LA MANGUERA DEL ROCIADOR EN EL PASADOR DE COBRE (EL PASADOR MÁS LARGO). AJUSTE EL SELLO CON UNA LLAVE DE AJUSTE. ACOPLÉ EL CONTRAPESO SUMINISTRADO A LA MANGUERA.

⚠ NO AJUSTE EL PUNTO DE CONEXIÓN EN EXCESO YA QUE PODRÍA PROVOCAR FALLAS DEL PRODUCTO QUE DERIVARÍAN EN DAÑOS POR AGUA

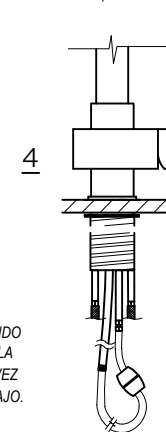
5. (SI FUERA NECESARIO) ACOPLÉ EL ROCIADOR A LA CONEXIÓN HEMBRA DE LA MANGUERA DEL ROCIADOR A MANO Y AJÚSTELA HASTA QUE QUEDE FIRME. COLOQUE Y ASIENDE LA ARANDELA NEGRA CORRECTAMENTE.

⚠ USO LAVADORA CON PANTALLA EN PUNTO DE CONEXIÓN ENTRE PULVERIZADOR Y MANGUERA PULVERIZADOR. ESTO DETENDRÁ ESCOMBROS DE VIAJAR EN LA CABEZA PULVERIZADOR Y EFECTUANDO SU FUNCIONALIDAD. TENGA EN CUENTA QUE LA LAVADORA PANTALLA TENDRÁ QUE SER RETIRADO Y LIMPIADO APROXIMADAMENTE UNA VEZ CADA 3 MESES PARA EVITAR LA ACUMULACIÓN Y FLUJO DE AGUA BAJO.

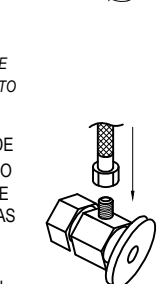


6. ACOPLÉ LAS CONEXIONES HEMBRA DE LAS MANGUERAS FLEXIBLES A LOS SUMINISTROS DE AGUA FRÍA Y CALIENTE.

⚠ UTILICE CINTA PARA PLOMERÍA Y UNA LLAVE DE AJUSTE. NO AJUSTE EN EXCESO, YA QUE ESTO PODRÍA CAUSAR FALLAS EN EL PRODUCTO QUE DERIVEN EN DAÑOS POR EL AGUA.



7. UNA VEZ FINALIZADA LA INSTALACIÓN, ABRA EL SUMINISTRO DE AGUA Y DEJE CORRER EL AGUA FRÍA Y CALIENTE POR SEPARADO DURANTE AL MENOS DOS MINUTOS CADA UNA. MIENTRAS CORRE EL AGUA, VERIFIQUE SI HAY FUGAS. ES IMPORTANTE REVISAR LAS UNIONES EN LAS CONEXIONES MACHO Y HEMBRA DE LAS MANGUERAS FLEXIBLES. EN CASO DE DETECTAR FUGAS, CONSULTE NUEVAMENTE LAS INSTRUCCIONES Y AJUSTE SEGÚN SEA NECESARIO. LAS FUGAS LEVES PUEDEN REPARARSE AJUSTANDO LAS TUERCAS LEVEMENTE



## SOLUCIÓN DE PROBLEMAS

PROBLEMA	POSIBLE CAUSA	ACCIÓN CORRECTIVA
1 - Fugas en la palanca	1.A - El cartucho no está asentado	1.A - Retire el cartucho de la carcasa, lave completamente con agua caliente y vuelva a colocar en la carcasa.
2 - Caudal insuficiente	1.B - El cartucho es defectuoso	
3 - Fuga en puntos de unión	2.A - Suciedad en el aireador	1.B - Comuníquese con el Departamento de Asistencia Técnica de Vigo para el reemplazo
4 - Grifo flojo	2.B - Obstrucción en la manguera o línea de suministro	
5 - El botón del rociador no funciona	3.A - La manguera del rociador no está ajustada	2.A - Retire y remoje o limpie con un producto no abrasivo (p. ej., vinagre)
	3.B - Fuga en la manguera flexible o en un punto de unión	2.B - Retire el rociador o la línea de suministro y enjuague las líneas
	4. - La tuerca metálica está floja	3.A - Retire el rociador y verifique el estado de la arandela negra. Verifique que la arandela esté asentada correctamente y vuelva a ajustar.
	5.A - Residuos en el aireador	3.B - Ajuste las mangueras. Si el problema persiste, retire la manguera flexible y vuelva a enroscar. Verifique que la conexión sea segura. Utilice cinta para tuberías.
	5.B - El botón está gastado	4. - Por debajo de la mesada, utilice una llave de ajuste y ajuste la tuerca metálica al tubo hueco. Asegúrese de que el grifo esté perpendicular a la mesada.
		5.A - Retire el aireador y límpielo. 5.B - Comuníquese con el Departamento de Asistencia Técnica de Vigo para el reemplazo.

### LISTA DE PIEZAS - Para obtener información sobre las piezas necesarias que no se ilustran, comuníquese con el Departamento de Asistencia Técnica de Vigo

PIEZA	PIEZA #	ACABADO	INDICADOR DE FECHA (SOLO PARA USO INTERNO)
Manguera extensible (nilón negro)	74019	ACERO, NEGRO MATE	W
Rociador	78041	ACERO, NEGRO MATE	W
Palanca	78039A	ACERO, NEGRO MATE	W
Palanca	78039B	ACERO, NEGRO MATE	W
Tornillo de fijación de la palanca	78039C	ACERO, NEGRO MATE	W
Cartucho Sedal	74040	-	W
Manguera metálica trenzada	74020	-	W
Lavadora Pulverizador	74008	-	W
Lavadora Negro con Pantalla	74010	-	W

NÚMERO GRATUITO: (866) 591 - 7792

Correo electrónico: [techmail@vigoindustries.com](mailto:techmail@vigoindustries.com)

[www.vigoindustries.com](http://www.vigoindustries.com)

**VIG**  
**O**



JA PARTIR DEL 1 DE ABRIL DE 2013

VIGO ofrece la siguiente garantía limitada para cada uno de sus grifos (el "Producto") y sus componentes. Esta garantía se otorga únicamente al comprador original para uso personal y doméstico. Para uso comercial, se aplican otras limitaciones.

VIGO garantiza que la estructura del producto está libre de defectos de fabricación y materiales en condiciones de uso y servicio normales para el período que comienza a partir de la fecha inicial de compra por parte del propietario, contratista o constructor a VIGO o a un distribuidor autorizado de VIGO, de por vida para el propietario original o usuario final.

VIGO garantiza que el componente del cartucho del producto está libre de defectos de fabricación y materiales en condiciones de uso y servicio normales por un período de cinco (5) años a partir de la fecha inicial de compra por parte del propietario, contratista o constructor a VIGO o a un distribuidor autorizado de VIGO.

VIGO garantiza que el conjunto del rociador y demás componentes mecánicos del producto están libres de defectos de fabricación y materiales en condiciones de uso y servicio normales por un período de un (1) año a partir de la fecha inicial de compra por parte del propietario, contratista o constructor, a VIGO o a un distribuidor autorizado de VIGO.

Conforme a la prestación del servicio de garantía que se presenta más abajo, todo producto informado como defectuoso al distribuidor autorizado o a VIGO dentro del período de garantía será reparado o reemplazado (con un producto de igual valor) a elección de VIGO. Esta garantía se otorga al comprador original y no es transferible al siguiente propietario.

Ni el distribuidor, el vendedor autorizado de VIGO ni ninguna otra persona están autorizados para ofrecer una declaración, representación o garantía distinta de las contenidas en esta garantía. Toda declaración, representación o garantía distinta de las contenidas en esta garantía no será aplicable contra VIGO ni contra otra persona.

VIGO se reserva el derecho de modificar esta garantía en cualquier momento, entendiéndose que tales modificaciones no alterarán las condiciones de garantía correspondientes al momento de la venta de los productos en cuestión.

## Limitaciones

Esta garantía no se aplicará en casos de procedimientos de funcionamiento incorrectos, roturas o daños causados por fallas por una instalación incorrecta, negligencia, abuso, uso indebido, aplicación incorrecta, mantenimiento inadecuado o alteración del producto, así como la corrosión química o natural, accidente, incendio, inundación, caso fortuito o cualquier otro siniestro. Evite los limpiadores abrasivos, la lana de acero y los productos químicos agresivos ya que rayarán, dañarán u opacarán el acabado o anularán esta garantía. El propietario del producto cubierto por la presente garantía es totalmente responsable de la correcta instalación y de los trabajos de plomería o cableado eléctrico correspondientes. VIGO no instala ni supervisa la instalación ni contrata el contratista para este fin; en consecuencia, VIGO no se responsabiliza de los defectos, roturas o daños causados o derivados de esta, ya sea directa o indirectamente.

El propietario deberá suministrar acceso a los componentes del producto según se describe en la guía de instalación a fin de que VIGO pueda cumplir con la garantía especificada aquí. Si tal acceso no estuviera disponible, todos los gastos para proveer dicho acceso serán responsabilidad del propietario.

Esta garantía no se aplica a productos que no hayan sido instalados o utilizados de acuerdo con las instrucciones suministradas por VIGO y todas las normas, reglamentos y leyes correspondientes a este tipo de instalaciones.

Esta garantía no se aplica a menos que el producto VIGO sea instalado por profesionales autorizados debidamente asegurados. VIGO recomienda enfáticamente que tales profesionales autorizados cuenten con experiencia en la instalación de productos de baño y cocina. [La instalación de ciertos productos, incluidos, entre otros, los productos de vidrio (por ejemplo, puertas de duchas y lavabos de cristal) por parte de una persona sin experiencia puede resultar en defectos del producto, incluidos, entre otros, la rotura de cristales, que podrían ocasionar lesiones personales o la muerte.]

VIGO no es responsable de las lesiones personales o muertes de personas ni de ningún daño directo, especial, incidental o consecuente, pérdida de tiempo, pérdida de ganancias, inconvenientes, gastos adicionales, gastos de mano de obra o de materiales ni de cualquier otro costo causado por el uso del producto o equipo o en relación con la aplicación de la presente garantía, o como resultado de la extracción o sustitución de un producto o elemento o pieza cubierta en esta garantía.

SALVO QUE SE INDIQUE LO CONTRARIO, VIGO NO OFRECE NINGUNA GARANTÍA, EXPRESA O IMPLÍCITA, INCLUIDAS LAS GARANTÍAS DE COMERCIALIZACIÓN Y ADECUACIÓN PARA UN PROPÓSITO EN PARTICULAR O DE CONFORMIDAD CON NINGÚN CÓDIGO

En ningún caso, VIGO será responsable de toda cantidad por encima del precio de compra pagado por el producto por parte del propietario, usuario final, contratista o constructor.

## Limitaciones comerciales

Además de las condiciones y limitaciones antes mencionadas, el período de garantía de los productos instalados en aplicaciones comerciales o utilizados con fines comerciales es de un (1) año a partir de la fecha de compra por parte del propietario, contratista o constructor a un distribuidor autorizado. VIGO no es responsable de la pérdida del uso o de ganancias bajo ninguna circunstancia. Si el producto se utilizara para exposición, el período de garantía comenzará desde la fecha de compra. Esta garantía proporciona al propietario derechos legales específicos. Es posible que el propietario tenga otros derechos que pueden variar de un estado o provincia a otra.

## Servicio de garantía

A fin de obtener el servicio previsto por esta garantía durante el horario de oficina habitual, póngase en contacto con el distribuidor que le vendió la unidad o comuníquese directamente con VIGO. VIGO proporcionará el servicio de garantía descrito anteriormente cuando se cumplan las siguientes condiciones: la falla es de naturaleza o tipo cubierto en la garantía; el usuario ha informado a un agente autorizado de VIGO o a un representante del departamento de servicio de garantía de VIGO de la naturaleza del problema durante el período de garantía; la evidencia concluyente (por ejemplo, la prueba de compra o instalación) es siempre precedente por parte del usuario de que la falla ocurrió o se descubrió dentro del período de garantía; un técnico autorizado independiente o un representante de la compañía ha sido autorizado para inspeccionar el producto durante el horario de oficina habitual dentro de un tiempo razonable después de que el usuario ha informado el problema. La obligación de garantía de VIGO se cumplirá en el momento de reemplazo o reparación. La negativa del cliente a aceptar la oferta revoca las obligaciones de garantía de VIGO.

La certificación podrá ser revocada por VIGO o los organismos de certificación sin previo aviso.

## ROBINET SPÉCIFICATIONS

# VIGO

Robinet de cuisine à vaporisateur escamotable

Modèle VG02014

### MODÈLE VG02014

#### CARACTÉRISTIQUES

- Fabriqué en laiton massif
- Face de vaporisateur qui résiste à l'accumulation de minéraux
- Finition qui résiste à la corrosion et au ternissement
- Cartouche à disque de céramique
- Construction mono-trou
- Pivotement 360°
- Vaporisateur levier simple

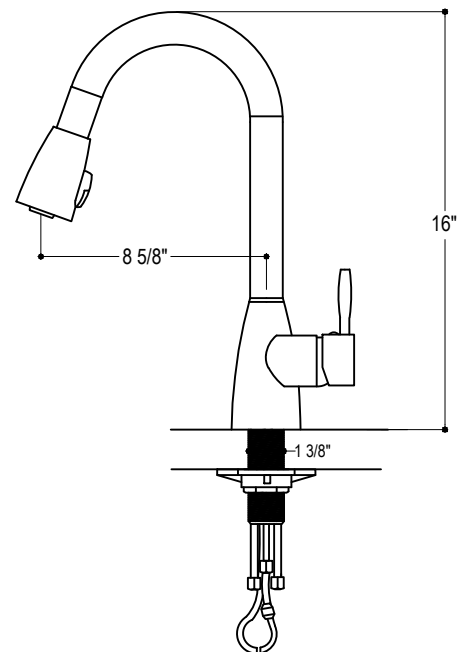
#### LISTE D'EMBALLAGE

- Ensemble Robinet
- Vaporisateur
- Clé Allen
- Deux tuyaux en métal tressé
- Poids
- Support en plastique

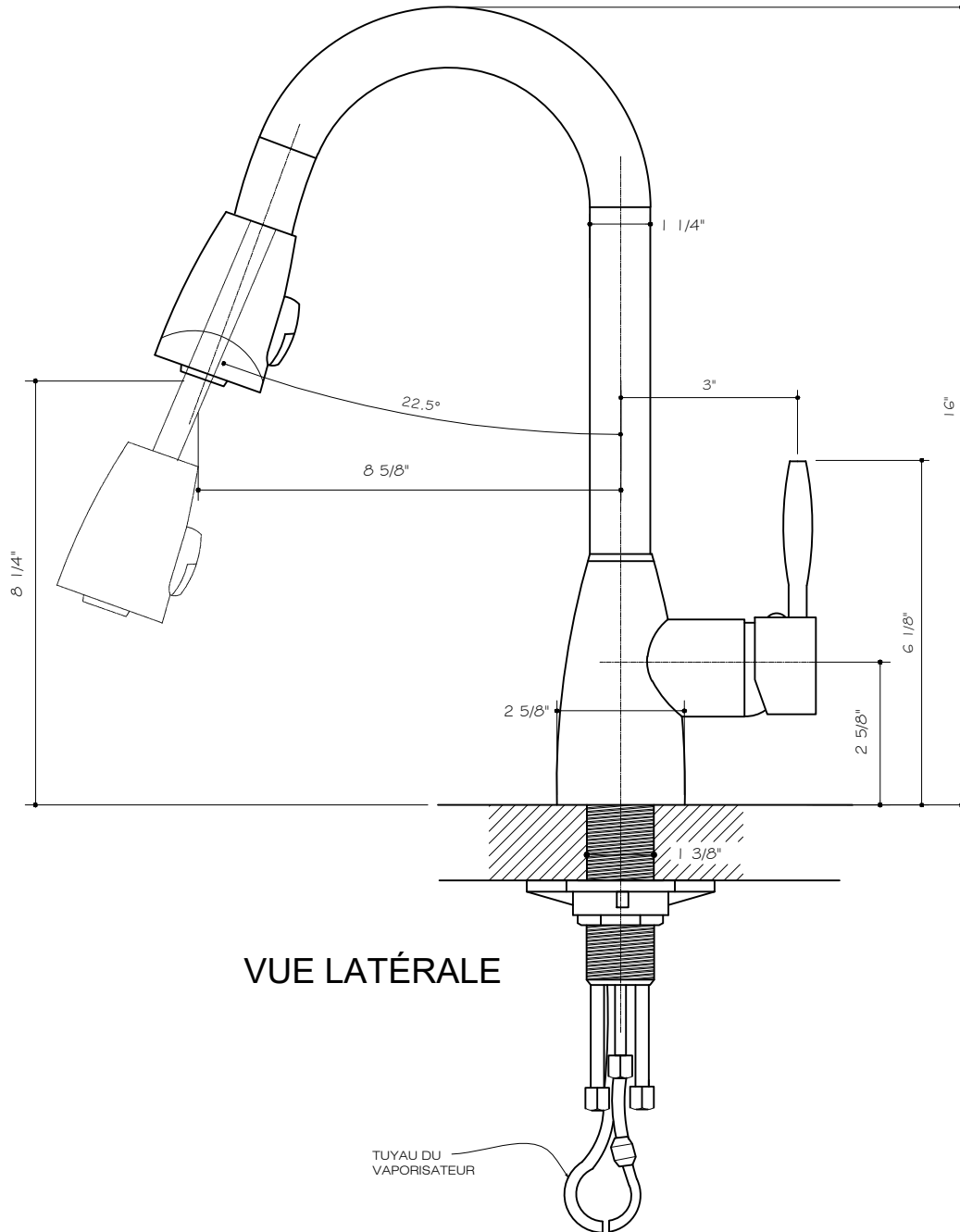


#### DIMENSIONS

MODÈLE #	TROU DIAMÈTRE	ROBINET HAUTEUR	VAPORISATEUR PORTÉE
VG02014	1 3/8"	16"	8 5/8"



REMARQUE: Tous les robinets sont conformes aux règlements de la CEC de 2016. Si vous avez des questions au sujet de votre débit d'eau, s'il vous plaît écrivez-techmail@vigoindustries.com.



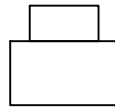
VG02014

LES MESURES SONT EN POUCES ET SONT ARRONDIES AU 1/8" LE PLUS PRÈS

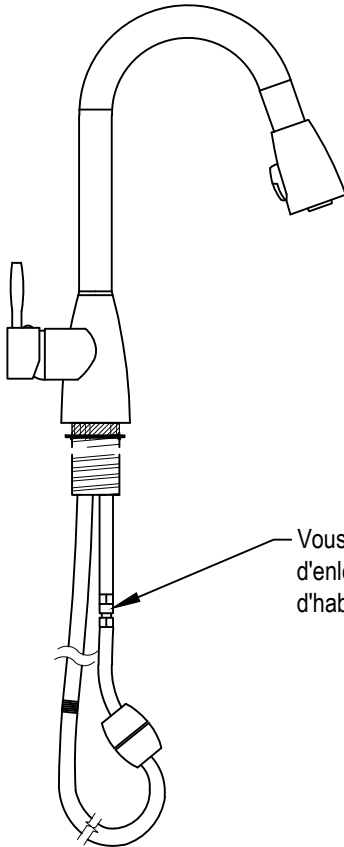
Ce produit répond aux exigences de la CEC. Il est à la discrétion du client de modifier le produit avec le restricteur fourni. Cela permettra d'éliminer la capacité du produit à répondre à certaines normes de faible débit. S'il vous plaît parlez à votre organisme d'application de la plomberie locale ou échelle de l'État avant de modifier. Vigo est pas responsable des modifications et de la touche qui peut venir avec la modification du poste de vente de produits et conseille que le client n'installe le produit qui répond aux besoins de leur code de plomberie local hautement.

Débit avec limiteur de débit - 1.8 gpm

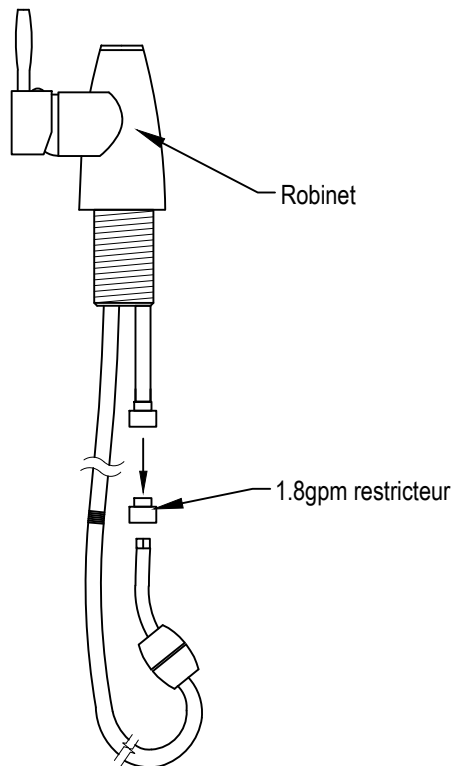
Débit sans restriction - 2.2 gpm



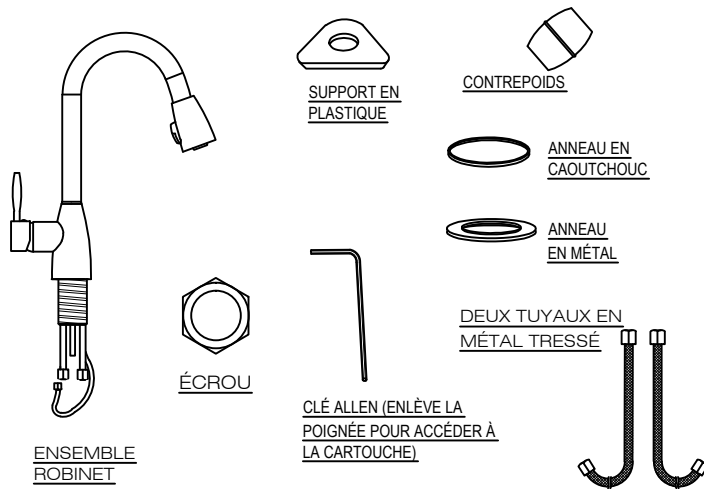
Restricteur



Vous trouverez le restricteur de 1,8 gpm ici. Il suffit d'enlever le limiteur de 1,8 gpm et installer le robinet comme d'habitude.



## CONTENU DE L'EMBALLAGE



## OUTILS REQUIS

Clé ajustable  
Clé Allen - fournie (pour enlever la cartouche si nécessaire)  
Mastic de plombier - facultatif  
Ruban pour tuyau  
Tournevis plats

## CONSEILS DE SÉCURITÉ

Si vous utilisez de la soudure pour l'installation du robinet, les sièges, les cartouches et les rondelles devront être enlevés avant d'utiliser la flamme. Les dommages causés par une mauvaise soudure annuleront la garantie. Protégez vos yeux avec des lunettes de sécurité lorsque vous coupez ou soudez les conduites d'alimentation d'eau.

## POINTS IMPORTANTS

Avant de commencer l'installation, fermez les conduites d'eau froide et chaude et ouvrez les poignées d'eau froide et chaude pour relâcher la pression. Lorsque vous installez votre nouveau robinet, serrez les écrous de connecteur à la main, puis utilisez une clé pour ancrer le raccord et une seconde clé pour serrer l'écrou. Les connexions qui sont trop serrées réduiront l'intégrité du système causeront une défaillance potentielle du produit ce qui pourrait entraîner des dégâts d'eau. Enrobez toutes les connexions filetées avec du ruban pour tuyau disponible dans votre quincaillerie ou magasin de plomberie local. Toujours enrober dans le sens des aiguilles d'une montre. Les fournitures nécessaires pour installer votre robinet ne sont pas toutes incluses, toutefois, elles sont disponibles là où les fournitures de plomberies sont vendues. Avant d'installer le robinet veuillez PURGER LES CONDUITES D'ALIMENTATION D'EAU FROIDE ET CHAUDE qui sont ou seront connectées au nouveau robinet pour enlever les dépôts, la soudure ou leurs impuretés qui pourraient endommager le robinet et potentiellement annuler la garantie.

## ENTRETIEN

Votre nouveau robinet est conçu pour des années de performance sans problème. Gardez-le comme neuf en le nettoyant périodiquement avec un linge doux. Éviter les nettoyants abrasifs, les laines d'acier, et les produits chimiques rugueux puisque ceux-ci peuvent égratigner, mater, et/ou endommager la finition et annuler la garantie.

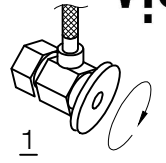
## INSTALLATION

**L'installation doit être effectuée par un plombier qualifié autorisé.**  
Avant l'installation, veuillez lire les instructions complètement, confirmez que toutes les pièces sont incluses et inspectez visuellement l'unité pour toutes les défauts. Si vous avez des questions, veuillez communiquer avec le Service de Soutien technique de Vigo avant de procéder à l'installation.

## ASSEMBLAGE

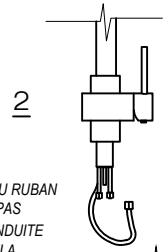
1. COUPEZ L'ALIMENTATION EN EAU. ENLEVEZ L'ANCIEN ROBINET ET LES TUYAUX FLEXIBLES. NETTOYEZ LA SURFACE DE L'ÉVIER AVEC UN NETTOYANT NON ABRASIF EN PRÉPARATION POUR LE NOUVEAU ROBINET.

# VIGO



2. RACCORDEZ L'EXTRÉMITÉ FEMELLE DU TUYAU EN MÉTAL TRESSÉ AU ROBINET (2).

! ASSUREZ-VOUS D'UTILISER DU RUBAN POUR TUYAU ET NE SERREZ PAS TROP LES ÉCROUS DE LA CONDUITE D'ALIMENTATION PUISQUE CELA POURRAIT CAUSER UNE DÉFAILLANCE DU PRODUIT CE QUI POURRAIT ENTRAÎNER DES DÉGÂTS D'EAU.

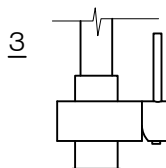
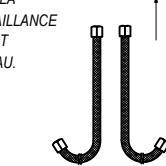


3. PLACEZ LE ROBINET DANS LE TROU DU DESSUS DE COMPTOIR; À PARTIR DU DESSOUS DU TROU DE COMPTOIR ASSEMBLEZ LE SUPPORT EN PLASTIQUE, L'ANNEAU EN CAOUTCHOUC, ET L'ANNEAU EN MÉTAL DANS L'ORDRE ILLUSTRÉ DANS LE DIAGRAMME. PUIS ENFILEZ L'ÉCROU EN MÉTAL DANS L'AXE CREUX. SERREZ L'ÉCROU EN MÉTAL JUSQU'À CE QUE LE ROBINET SOIT BIEN FIXÉ.

! ASSUREZ-VOUS QUE LES PIÈCES SONT ASSEMBLÉES DANS L'ORDRE TEL QU'ILLUSTRÉ DANS LE DIAGRAMME AFIN D'ÉVITER DES DOMMAGES AU ROBINET ET AUX CONDUITES D'ALIMENTATION.

STABILISE LE ROBINET SOUS LE DESSUS DE COMPTOIR

ÉCROU



4. VISSEZ LE TUYAU DU VAPORISATEUR À L'AXE EN CUIVRE (L'AXE LE PLUS LONG). ASSUREZ-VOUS D'AVOIR UN JOINT SERRÉ EN UTILISANT UNE CLÉ AJUSTABLE. ATTACHEZ LE CONTREPOIS FOURNI AU TUYAU.

! NE SERREZ PAS TROP LE POINT DE CONNEXION PUISQUE CELA POURRAIT CAUSER UNE DÉFAILLANCE DU PRODUIT CE QUI POURRAIT ENTRAÎNER DES DÉGÂTS D'EAU

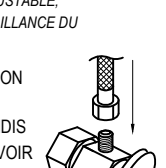
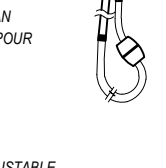
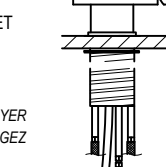
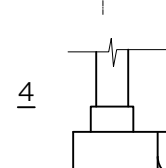
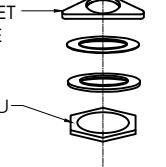
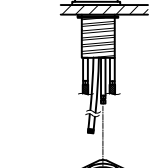
5. (SI CE N'EST DÉJÀ FAIT) ATTACHEZ LE VAPORISATEUR À LA CONNEXION FEMELLE DU TUYAU DU VAPORISATEUR À LA MAIN ET SERREZ POUR BIEN FIXER. ASSUREZ-VOUS QUE LA RONDELLE NOIRE EST BIEN ASSISE ET INSTALLÉE CORRECTEMENT.

! L'AVANT D'UTILISER L'ÉCRAN PLACÉ À LA CONNEXION POINT ENTRE SPRAYER ET LE PULVÉRISATEUR TUYAU. CELA VA ARRÊTER DEBRIS DE VOYAGEZ DANS LA TÊTE DU PULVÉRISATEUR ET D'EFFECTUER SA FONCTIONNALITÉ. S'IL VOUS PLAÎT NOTE QUE LA RONDELLE D'ÉCRAN DOIVENT ÊTRE RETIRÉS ET NETTOYÉS ENVIRON TOUS LES 3 MOIS POUR ÉVITER BUILD UP ET FAIBLE DÉBIT D'EAU.

6. ATTACHEZ LES CONNEXIONS FEMELLES DES TUYAUX FLEXIBLES À L'ALIMENTATION EN EAU FROIDE ET CHAUDE.

! ASSUREZ-VOUS D'UTILISER DU RUBAN POUR TUYAU ET UNE CLÉ AJUSTABLE, NE SERREZ PAS TROP PUISQUE CELA POURRAIT CAUSER UNE DÉFAILLANCE DU PRODUIT CE QUI POURRAIT ENTRAÎNER DES DÉGÂTS D'EAU.

7. UNE FOIS L'INSTALLATION COMPLÉTÉE, OUVREZ L'ALIMENTATION EN EAU ET LAISSEZ L'EAU CHAUDE ET L'EAU FROIDE COULER SÉPARÉMENT PENDANT AU MOINS DEUX MINUTES CHAQUE. TANDIS QUE L'EAU COULE, VÉRIFIEZ LES FUITES. IL EST IMPORTANT DE VOIR LES CONNEXIONS AU NIVEAU DES CONNEXIONS MÂLE ET FEMELLE DU TUYAU FLEXIBLE. SI DES FUITES SONT DÉTECTÉES, CONSULTEZ DE NOUVEAU LES INSTRUCTIONS ET AJUSTEZ EN CONSÉQUENCE. SERRER UN PEU LES ÉCROUS PEUT ARRÊTER TOUTES FUITES MINEURES.



6



## DÉPANNAGE

PROBLÈME	CAUSE POTENTIELLE	MESURE CORRECTIVE
1 - Fuites de la poignée	1.A - Cartouche non assise	1.A - Enlever la cartouche de son logement, laver complètement avec de l'eau chaude et bien assiser dans le logement.
2 - Débit insuffisant	1.B - Cartouche défectueuse	
3 - Fuite aux points de connexion	2.A - Aérateur sale	1.B - Communiquer avec le Soutien technique de Vigo pour un remplacement.
4 - Corps du robinet lâche	2.B - Encrassement dans tuyau/conduite d'alimentation	
5 - Bouton du vaporisateur arrêté de fonctionner	3.A - Tuyau du vaporisateur non serré	2.A - Enlever et faire tremper/nettoyer avec un agent non abrasif (par ex. du vinaigre).
	3.B - Fuite du tuyau flexible au niveau du corps ou du point de connexion	
	4. - Écrou en métal devenu lâche	3.A - Enlever le vaporisateur et vérifier l'intégrité de la rondelle noire. S'assurer que la rondelle est bien assise et resserrer.
	5.A - Débris dans l'aérateur	3.B - Serrer les tuyaux. Si cela ne résout pas le problème, enlever le tuyau flexible et raccorder de nouveau, en s'assurant que la connexion est bien attachée. S'assurer d'utiliser du ruban pour tuyau.
	5.B - Usure du bouton	
		5.A - Enlever et nettoyer l'aérateur. 5.B - Communiquer avec le Soutien technique de Vigo pour un remplacement.

## LISTE DES PIÈCES - Pour toutes pièces requises mais non illustrées, veuillez communiquer avec le Soutien technique de Vigo

PIÈCE	PIÈCE #	FINITION	INDICATEUR DATE D'APPROVISIONNEMENT (USAGE INTERNE SEULEMENT)	
Tuyau escamotable (nylon noir)	74019	ST, MB	W	ST, MB
Vaporisateur	78041	ST, MB	W	
Levier Poignée	78039A	ST, MB	W	
Poignée	78039B	ST, MB	W	
Vis Ensemble poignée	78039C	ST, MB	W	
Cartouche Sedal	74040	-	W	
Tuyau en métal tressé	74020	-	W	
Pulvérisateur Rondelle	74008	-	W	
Rondelle Noire avec Écran	74010	-	W	

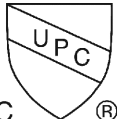
SANS FRAIS : (866) 591 - 7792

Courriel : [techmail@vigoindustries.com](mailto:techmail@vigoindustries.com)

[www.vigoindustries.com](http://www.vigoindustries.com)

# VIGO

NSF / ANSI 61



C



EN VIGUEUR LE 1er AVRIL 2013

VIGO offre la garantie limitée suivante sur chacun de ses produits Robinet (le « Produit ») et les composants de ceux-ci. Cette garantie s'adresse uniquement au propriétaire original pour usage domestique personnel. Des restrictions additionnelles s'appliquent aux utilisations commerciales.

VIGO garantit la structure du Produit contre tout défaut de matériel et de fabrication dans des conditions normales d'utilisation et d'entretien pour la période commençant à la date d'achat originale par le propriétaire, l'entrepreneur, ou le constructeur, de VIGO ou un concessionnaire VIGO autorisé, pour la durée de vie du propriétaire ou utilisateur original.

VIGO garantit le composant cartouche du Produit contre tout défaut de matériel et de fabrication dans des conditions normales d'utilisation et d'entretien pour une période de cinq (5) ans à compter de la date d'achat originale par le propriétaire, l'entrepreneur, ou le constructeur, de VIGO ou un concessionnaire VIGO autorisé.

VIGO garantit l'ensemble vaporisateur et autres composants mécaniques du Produit contre tout défaut de matériel et de fabrication dans des conditions normales d'utilisation et d'entretien pour une période d'un (1) an à compter de la date d'achat originale par le propriétaire, l'entrepreneur, ou le constructeur, de VIGO ou un concessionnaire VIGO autorisé.

Sous réserve de la clause de Service de Garantie ci-dessous, tout produit signalé au fournisseur autorisé ou à VIGO comme étant défectueux en dedans de la période de garantie sera réparé ou remplacé (avec un produit de valeur égale) à la discrétion de VIGO. Cette garantie s'adresse au propriétaire original et n'est pas transférable à un propriétaire ultérieur.

Ni le distributeur, ni le concessionnaire autorisé VIGO, ni personne d'autre n'est autorisé à faire d'affirmations, de représentations ou de garanties autres que celles stipulées dans la présente garantie. Les affirmations, représentations ou garanties autres que celles contenues dans la présente garantie ne sauraient s'appliquer à VIGO ni à personne d'autre.

VIGO se réserve le droit de modifier cette garantie en tout temps; il est entendu que de telles modifications ne changeront pas les conditions de la garantie applicable au moment de la vente des produits en cause.

## Restrictions

La présente garantie ne s'applique pas dans le cas de procédures d'opérations incorrectes, de bris ou de dommages causés par un défaut suite à une installation incorrecte, la négligence, l'abus, le mauvais emploi, le mauvais usage, le mauvais entretien, ou l'altération du Produit, de même que par la corrosion chimique ou naturelle, le feu, l'inondation, les catastrophes naturelles ou tout autre cas fortuit. Éviter les nettoyeurs abrasifs, les laines d'acier, et les produits chimiques rugueux puisque ceux-ci peuvent égratigner, endommager, et/ou mater le produit et/ou la finition et annuler cette garantie. Le propriétaire du Produit visé par la présente garantie est entièrement responsable de son installation adéquate et de toute plomberie ou de tout câblage électrique applicables. VIGO ne procède pas à l'installation, n'engage pas d'entrepreneur à cet effet, ni ne supervise l'installation; conséquemment, VIGO ne peut être tenue responsable de tout défaut, bris ou dommage causé directement ou indirectement par l'installation du Produit ou résultant de celle-ci.

Le propriétaire doit assurer un accès aux composants du Produit tel que le décrit le guide d'installation afin que VIGO puisse exécuter la garantie spécifiée aux présentes. Si un tel accès n'existe pas, tous les coûts inhérents à son aménagement seront la responsabilité du propriétaire.

La présente garantie ne s'applique pas aux Produits qui n'auraient pas été installés ou utilisés conformément aux instructions fournies par VIGO ainsi qu'à tous règlements ou toutes lois applicables à de telles installations.

La présente garantie ne s'applique pas à moins que le Produit VIGO ait été installé par des professionnels agréés entièrement assurés. VIGO recommande fortement que de tels professionnels agréés aient de l'expérience dans l'installation de produits de salle de bain et de cuisine. [L'installation de certains produits incluant sans s'y limiter les produits de verre (par ex. les portes de douche et les évier en verre) par une personne non expérimentée peut entraîner une défaillance du produit incluant, mais sans s'y limiter, un bri du verre qui pourrait causer des blessures corporelles ou la mort.]

VIGO n'est aucunement responsable des blessures corporelles, du décès de toute personne ou des dommages directs, particuliers, accessoires ou indirects, de la perte de temps, de la perte de profits, des inconforts, des frais accessoires, des coûts de main d'œuvre ou de matériel ou de tout autre coût résultant de l'utilisation du produit ou de l'équipement, ou résultant du retrait ou du remplacement de tout produit, élément ou pièce faisant l'objet de la présente garantie.

À MOINS D'INDICATION CONTRAIRE AUX PRÉSENTES, VIGO N'OFFRE AUCUNE GARANTIE EXPRESSE OU IMPLICITE, NI AUCUNE GARANTIE DE QUALITÉ MARCHANDE OU D'ADAPTABILITÉ À UN USAGE PARTICULIER OU DE CONFORMITÉ À UN CODE.

Dans tous les cas, VIGO ne peut être tenue responsable de tout montant excédant le prix d'achat du Produit déboursé par le propriétaire/utilisateur, l'entrepreneur ou le constructeur.

## Restrictions commerciales

En plus des conditions et restrictions mentionnées ci-dessus, la période de garantie relative à tout produit installé dans le cadre d'une application commerciale ou utilisé dans le cadre d'une entreprise commerciale est de un (1) an à compter de la date d'achat originale par le propriétaire, l'entrepreneur ou le constructeur auprès d'un détaillant autorisé. VIGO n'est pas responsable pour toute perte d'utilisation ou de profit sous aucune circonstance. Si le produit est utilisé dans le cadre d'un étalage, la période de garantie s'applique à partir de la date d'achat. Cette garantie donne au propriétaire des droits légaux spécifiques. Le propriétaire peut aussi avoir d'autres droits qui peuvent varier d'un état ou d'une province à l'autre.

## Service sous garantie

Pour se prévaloir du service offert en vertu de la présente garantie pendant les heures normales d'ouverture, communiquez avec le détaillant ou le distributeur qui a vendu le produit, ou communiquez directement avec VIGO. VIGO honorera le service sous garantie décrit ci-dessus aux conditions suivantes : la défaillance est d'une nature ou d'un type couvert par la garantie; l'utilisateur a informé un agent autorisé de VIGO ou un représentant du service de la garantie de VIGO, de la nature du problème durant la période de la garantie; une preuve concluante (par ex., une preuve d'achat ou d'installation) est fournie par l'utilisateur, démontrant que la défaillance est survenue ou a été découverte pendant la période de garantie; une personne autorisée d'un service indépendant ou un représentant de la compagnie a eu la permission d'inspecter le produit pendant les heures normales d'ouverture, dans un délai raisonnable après le signalement du problème par l'utilisateur. L'obligation de VIGO en vertu de la garantie cesse au moment où VIGO fournit le remplacement ou la réparation. Le refus du client d'accepter cette mesure met un terme à l'obligation de VIGO en vertu de la garantie.

VIGO ou un organisme de certification peut annuler une certification sans préavis.