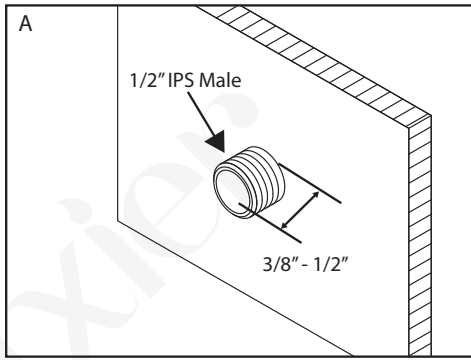
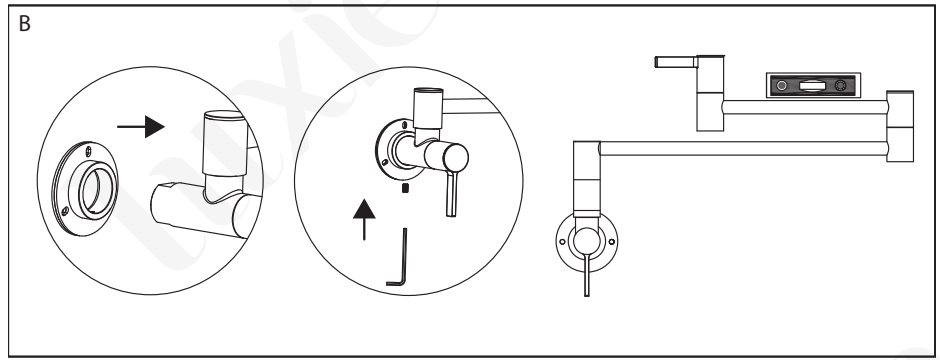


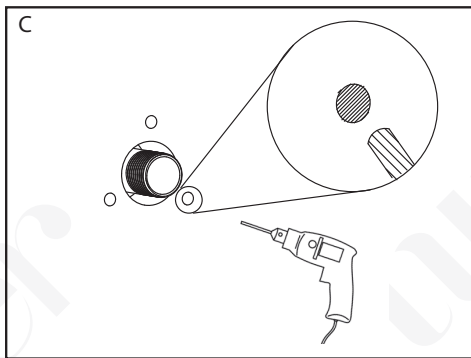
# Installation



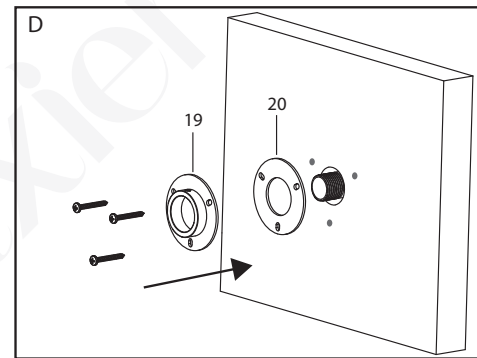
A. Shut off the main water supply before installation. The faucet requires an 1/2" IPS/NPT threaded male nipple extending 1/2" from the finished wall. For ease of future maintenance, it is recommended to install a shut off valve for the water supply line at an easily accessible location.



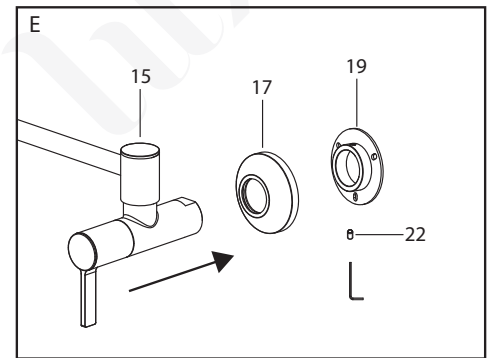
B. Place mounting base (19) onto pot filler body (15). Attached the assembly onto the nipple on the finished wall surface and secure the setscrew (22) to hold the faucet in place. Do not fully tighten the setscrew. Use a level to make sure the faucet is level and plumb. Use a marker to mark 3 positions for drilling. (NOTE: Make sure there are no pipes or electrical wires behind the mounting surface.)



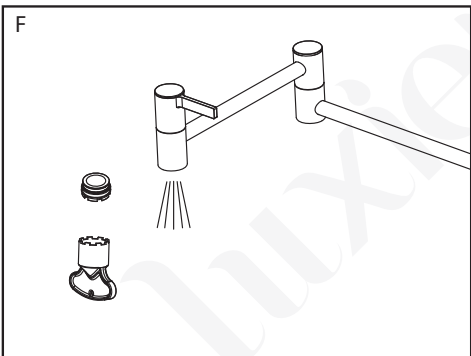
C. Remove the faucet from the wall and use a power drill to drill the 3 holes needed for installation. Insert wall anchors into the holes when done. Apply TPE tape onto the nipple in counter-clockwise direction. (NOTE: Make sure there are no pipes or electrical wires behind the mounting surface. Use a piece of painters tape or masking tape over the drill area to prevent damages to the tiles.)



D. Place the rubber gasket (20) onto the wall and attach the mounting base (19) with the included screws. Loosen the setscrew (22) on the mounting base. (NOTE: Make sure the rubber gasket and the mounting base securely attached to the wall to prevent water from entering the wall cavity.)



E. Slide the flange (17) onto the faucet body (15) first and attach the faucet to the male threaded nipple. Once the faucet is attached to the pipe tighten the setscrew (22) and slide the flange to cover the mounting base (19)



F. Remove aerator from the spout and turn on the water for about a minute to flush out any debris in the plumbing system. Also check for leaks at all connections. Re-install the aerator when done. This faucet is equipped with two on/off handles, the handle on the wall side should be closed (handle in vertical position) when faucet is not in use. If the pot filler is to be left unattended, please ensure both handles are in closed position.

