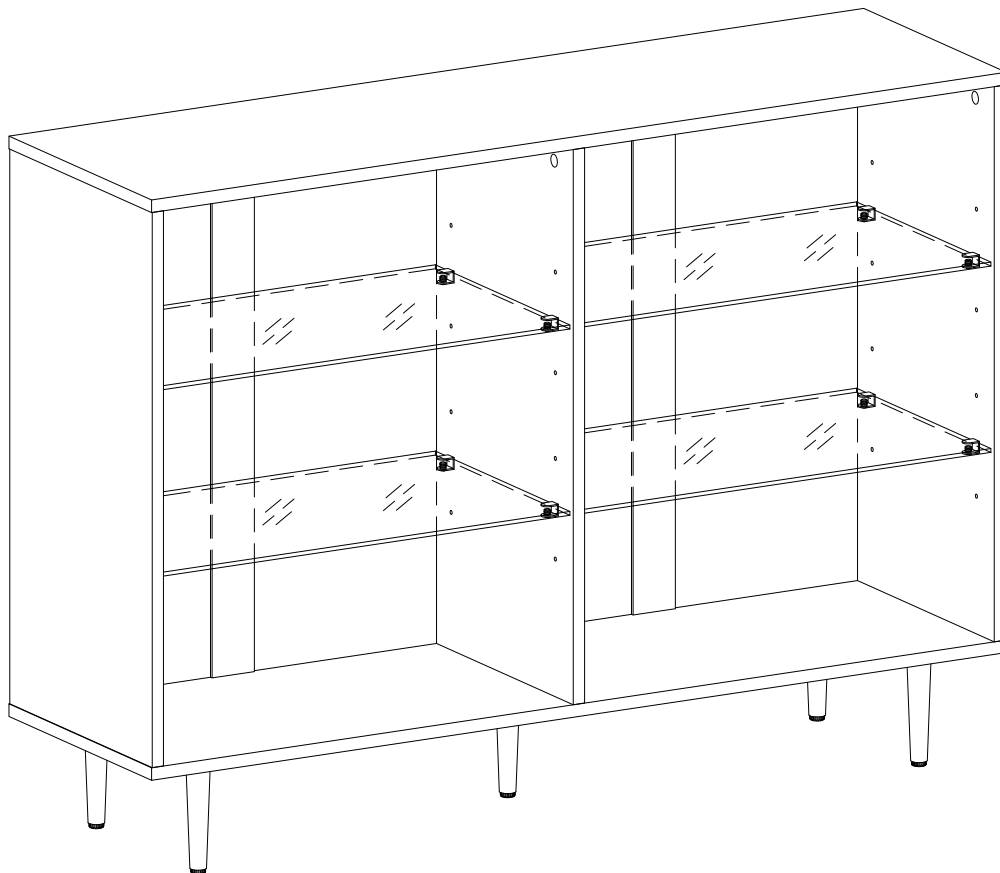


# Item # : BS48NOR

## Assembly Instructions



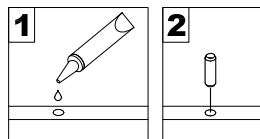
Walker Edison®

Please visit our website for the most current instructions, assembly tips, report damage, or request parts. [www.walkerredison.com](http://www.walkerredison.com)

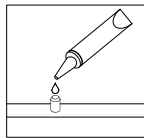
(E) Revised 27/12/2018

# General Assembly Guidelines

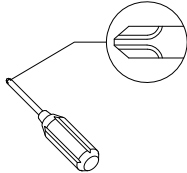
- I. Ensure that all parts and hardware are available before beginning assembly.
- II. Follow each step carefully to ensure the proper assembly of this product.
- III. Two people are recommended for ease in the assembly of this product.
- IV. The three main types of hardware used to assemble this product are : wood dowels , screws and bolts.
- V. The provided glue is to secure wood dowels in place . When first inserting dowels , locate the appropriate hole for the dowel , place a small amount of glue in the hole and insert the dowel . Wipe away excess glue immediately.



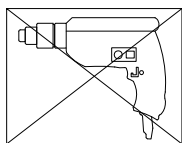
In future assembly steps when dowels are necessary to attach assembly parts together , place a small amount of glue on the end of the dowel before attaching parts together . Wipe away excess glue immediately.



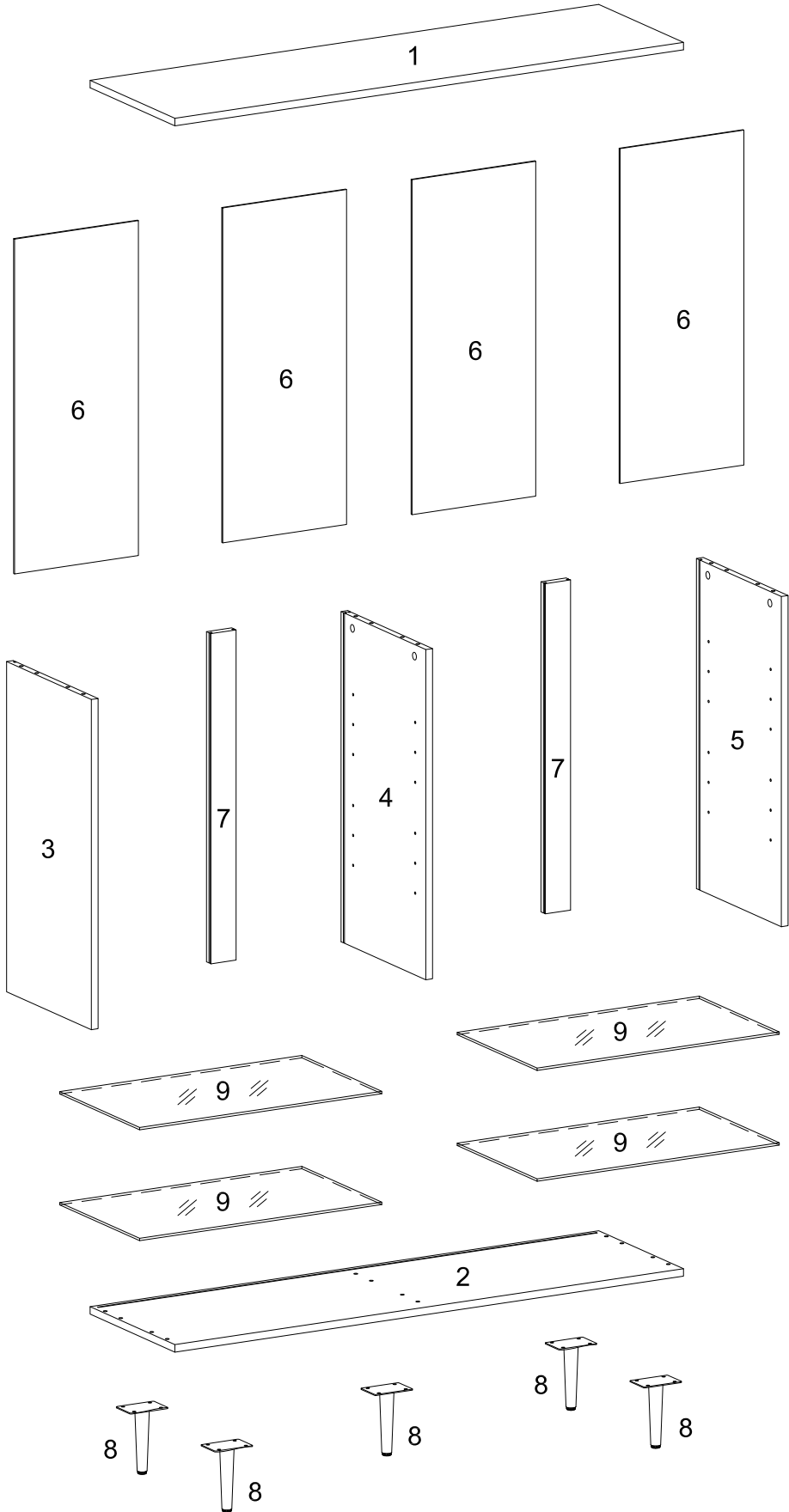
- VI. A Phillips head screwdriver is required for the assembly of this product .




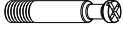


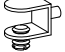
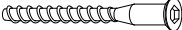
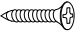


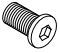

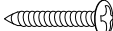

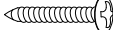

- VI. Power tools should not be used to assemble this product .

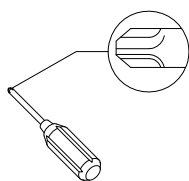


# Parts List



# Hardware List

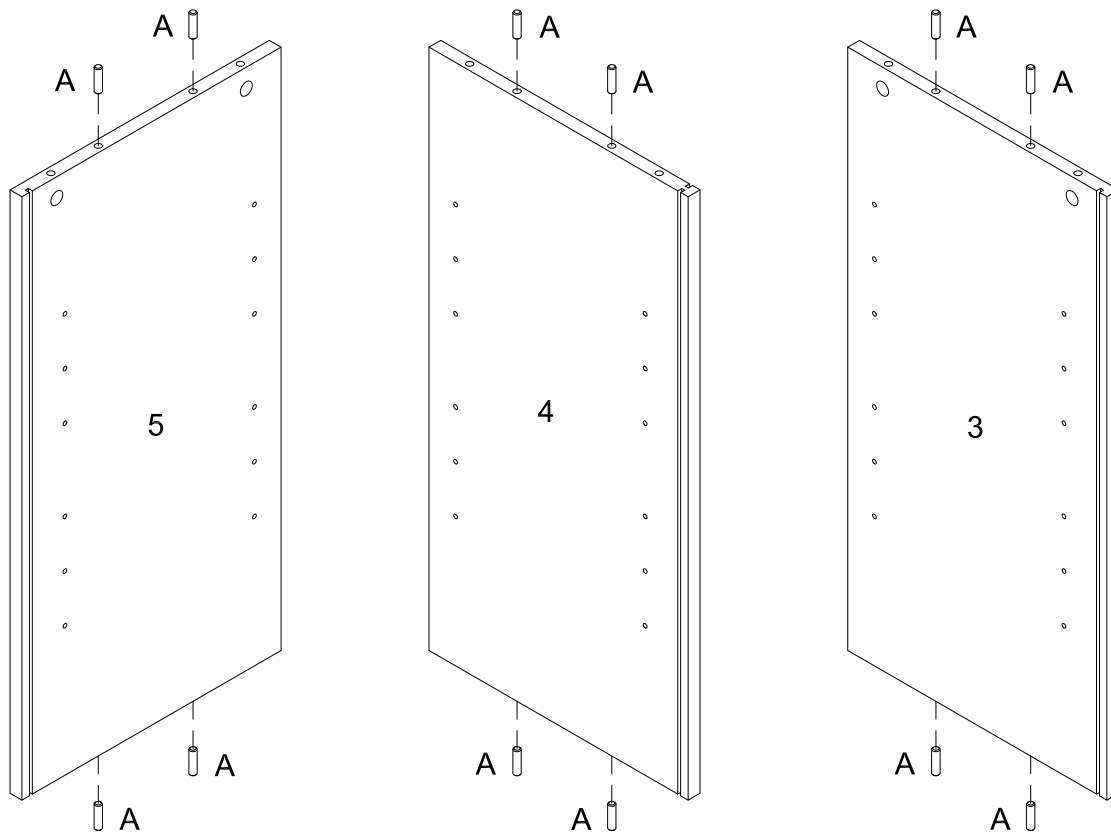
A		Ø8x30mm	Wooden dowel	12 pcs
B		Ø6x35mm	Cam bolt	6 pcs
C		Ø15x11mm	Cam lock	6 pcs
D		Ø30mm	Sticker	6 pcs
E			Glass holder	16 pcs
F		Ø6x50mm	Screw	6 pcs
G		Ø3x17mm	Screw	16 pcs
H			Plastic wedge	16 pcs
J		M 4	Hex Key	1 pcs
K		Ø6x12mm	Bolt	20 pcs
L			Plastic strap	2 pcs
M		Ø4x35mm	Screw	2 pcs
N			Nut	2 pcs
P		Ø4x15mm	Screw	2 pcs
Q			Glue tube	1 pcs



Philips head screwdriver required for assembly  
(not included)

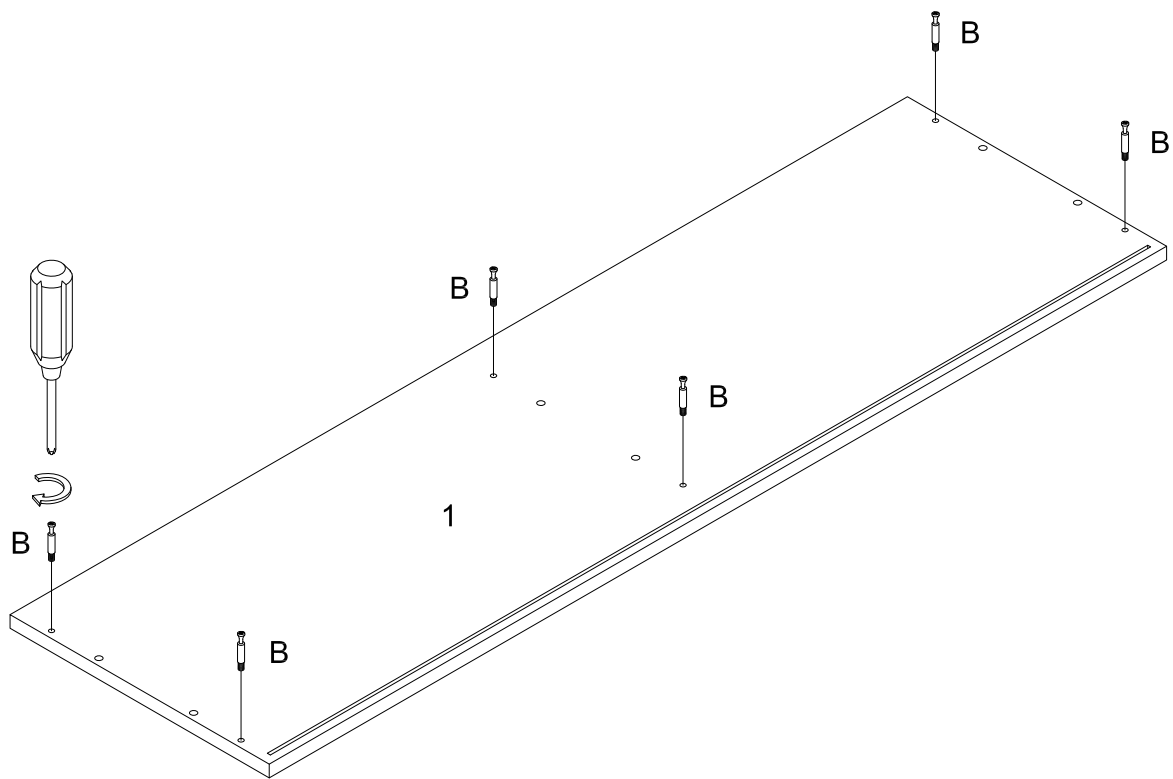
*The hardware quantities listed above are required for proper assembly.  
Some extra hardware may also have been included.*

# Step 1



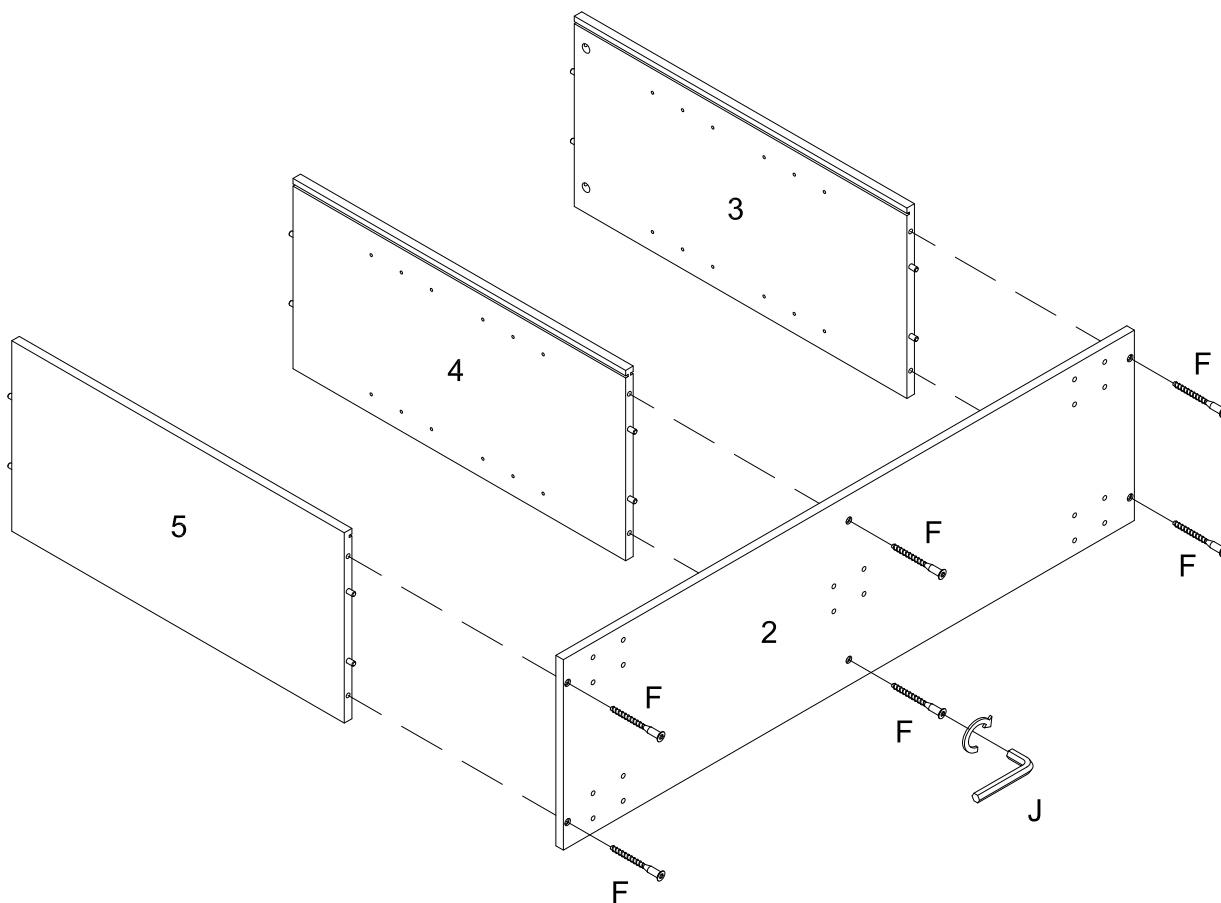
Insert wooden dowel (A) into part (5, 4, 3) as per diagram.

## Step 2



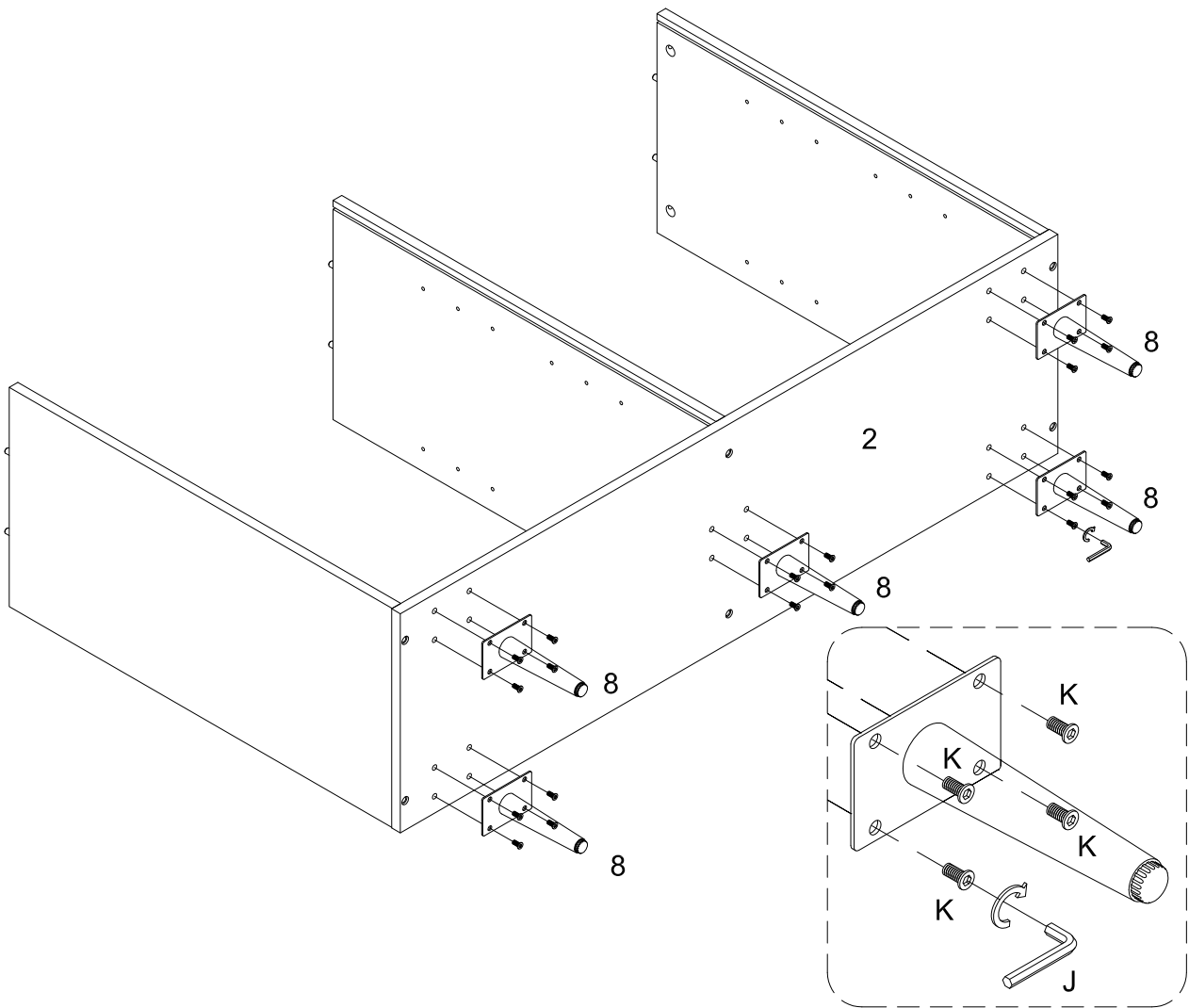
Secure cam bolt (B) to part (1) with Philips head screwdriver.

# Step 3



Attach part (2) to part (5, 4, 3) using screw (F) with hex key (J) as per diagram.

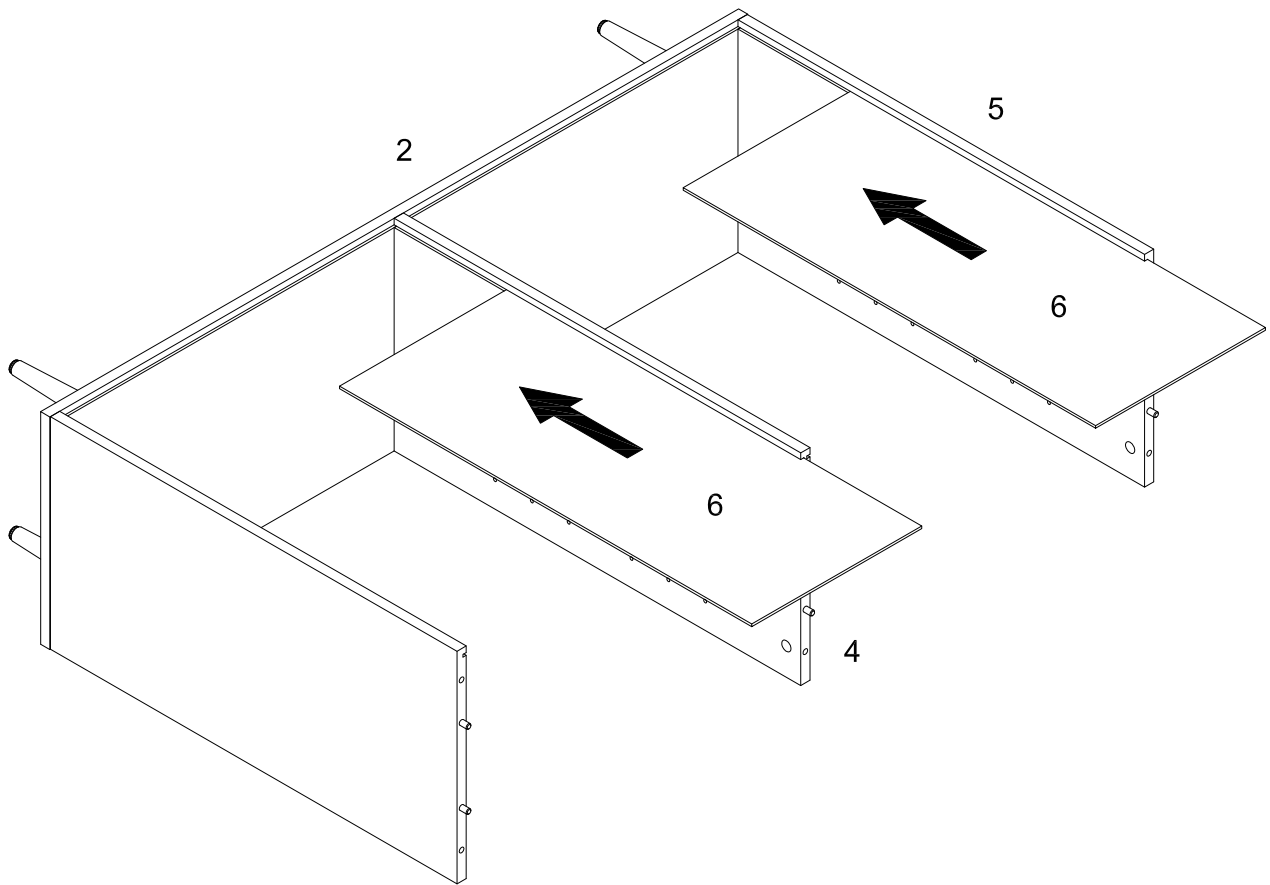
# Step 4



Attach part (8) to part (2) using bolt (K) with hex key (J) as per diagram.

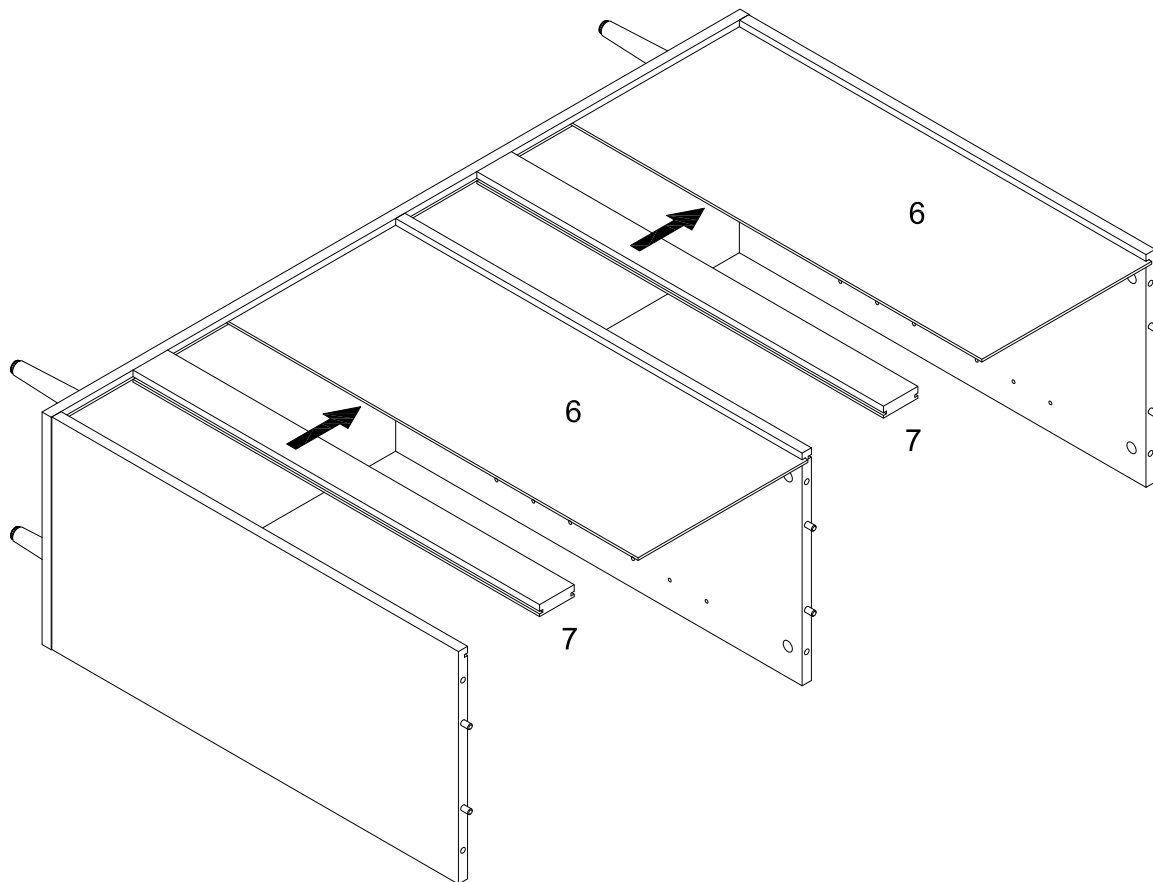


# Step 5



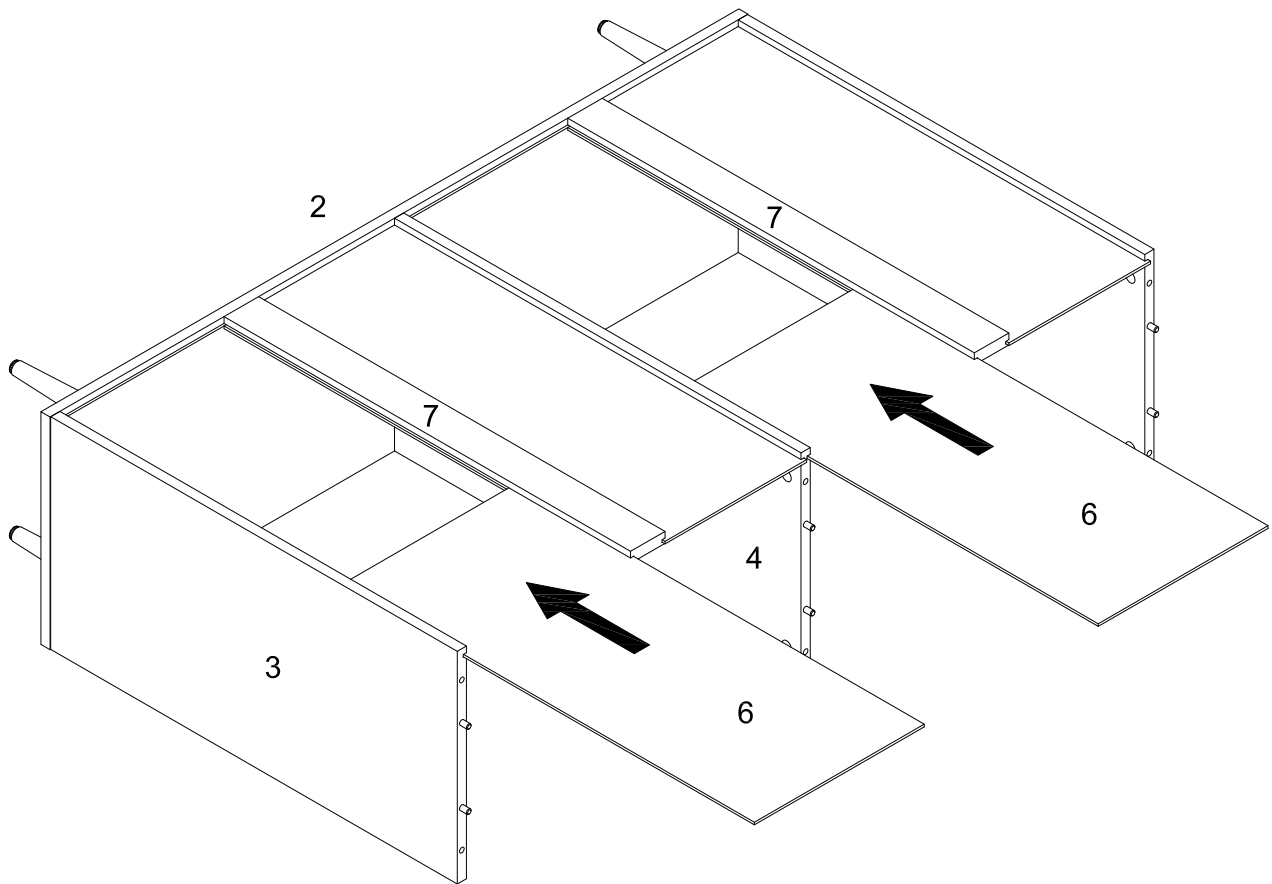
Slide part (6) into grooves of part (4, 5) as per diagram.

## Step 6



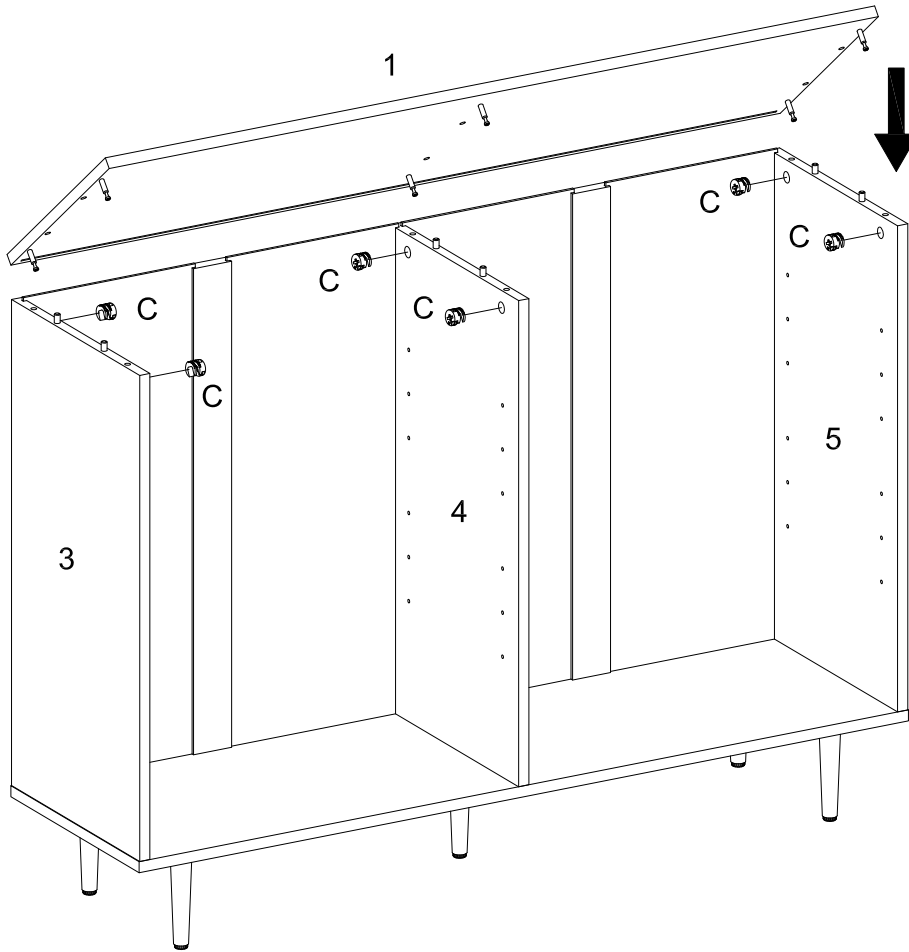
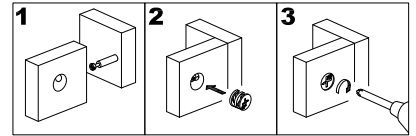
Slide part (7) into grooves and attach to part (6) as per diagram.

## Step 7



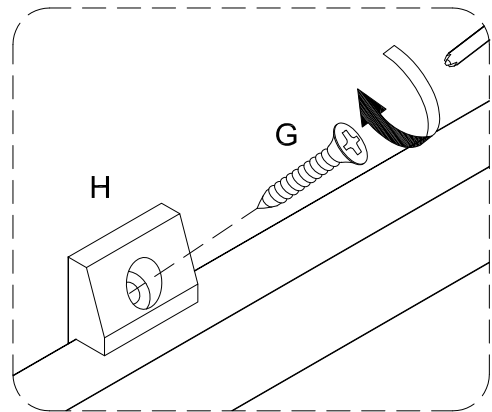
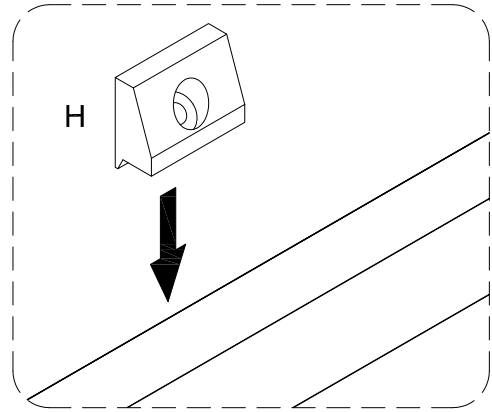
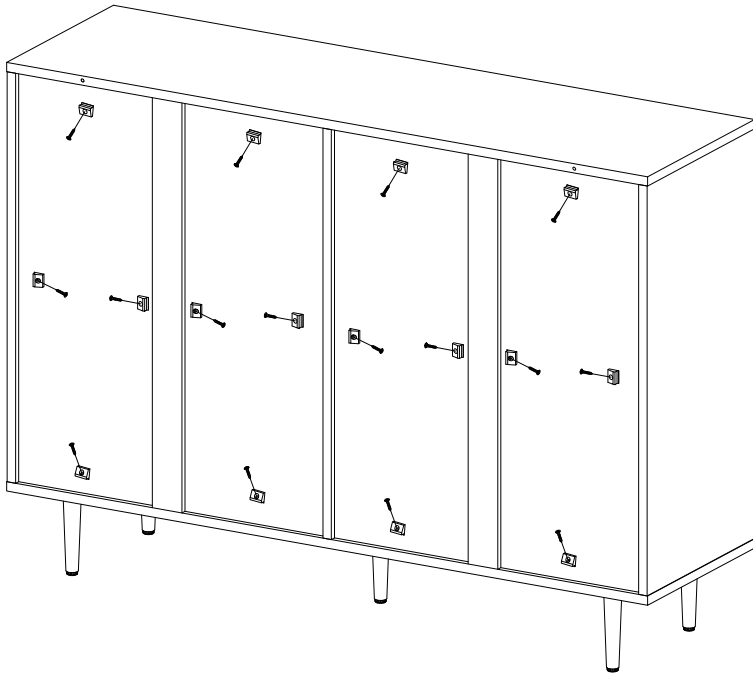
Slide part (6) into grooves of part (7, 4, 3) as per diagram.

# Step 8



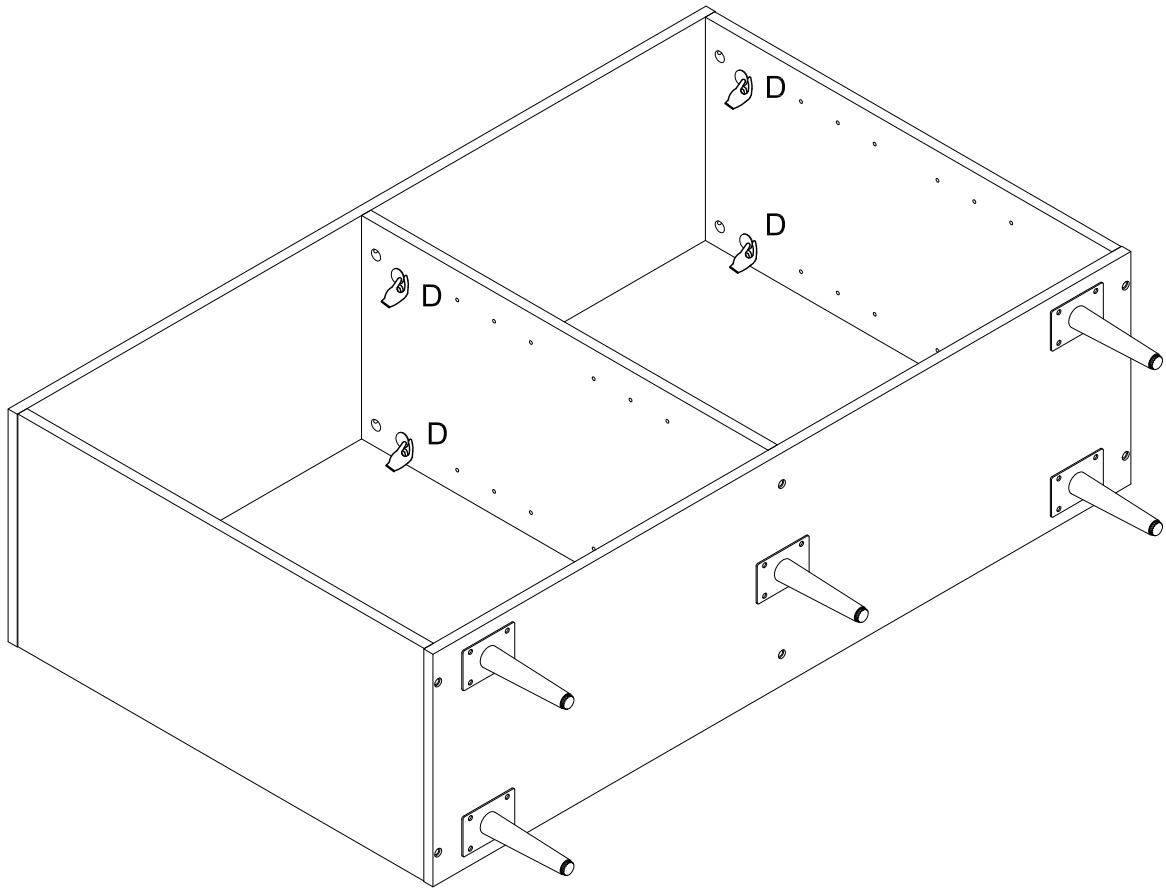
Attach part (1) to part (3, 4, 5) using cam lock (C) with Philips head screwdriver.

# Step 9



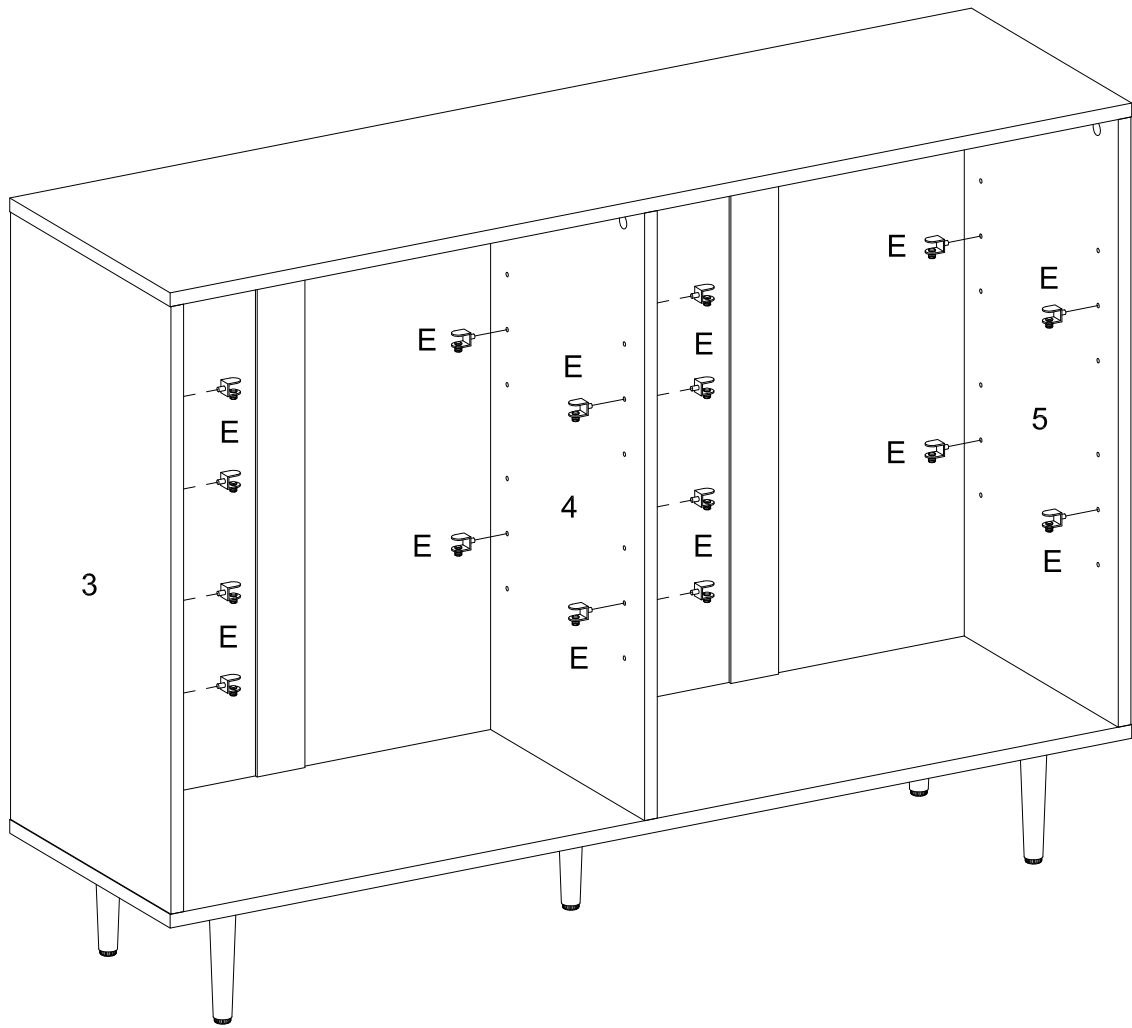
Secure plastic wedge (H) to back panel using screw (G) with Philips head screwdriver as per diagram.

# Step 10



Place sticker (D) over holes as per diagram.

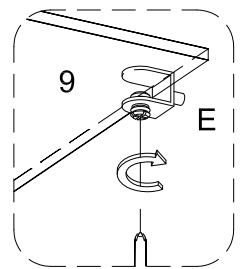
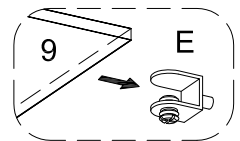
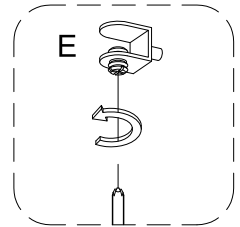
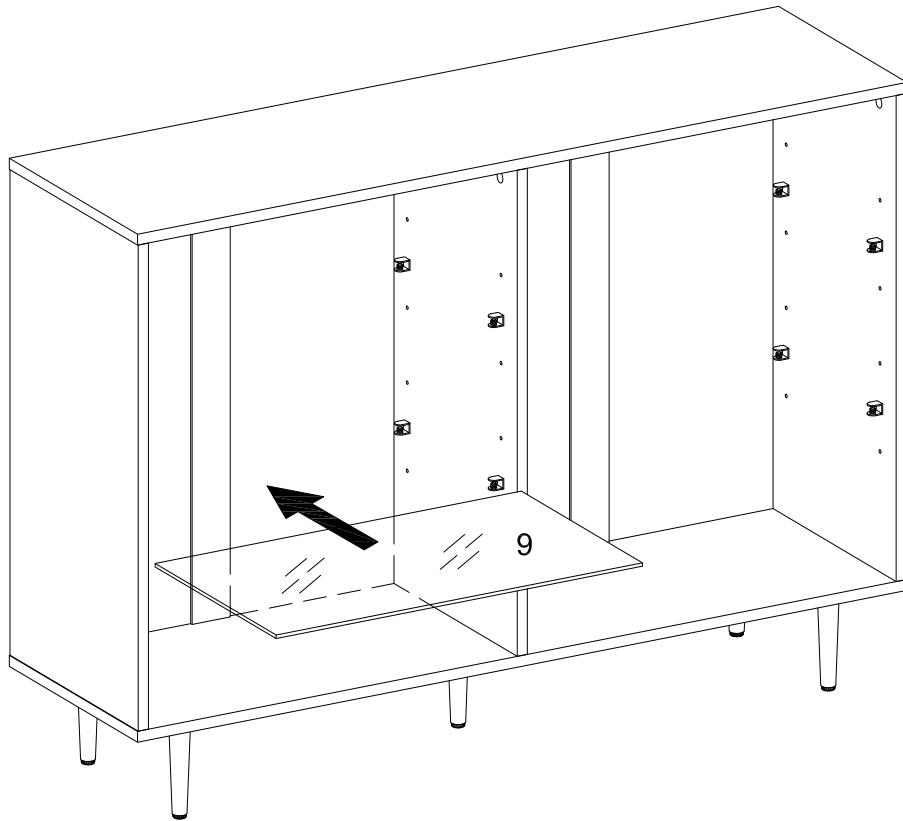
# Step 11



Insert glass holder (E) into part (3, 4, 5) as per diagram.

# Step 12

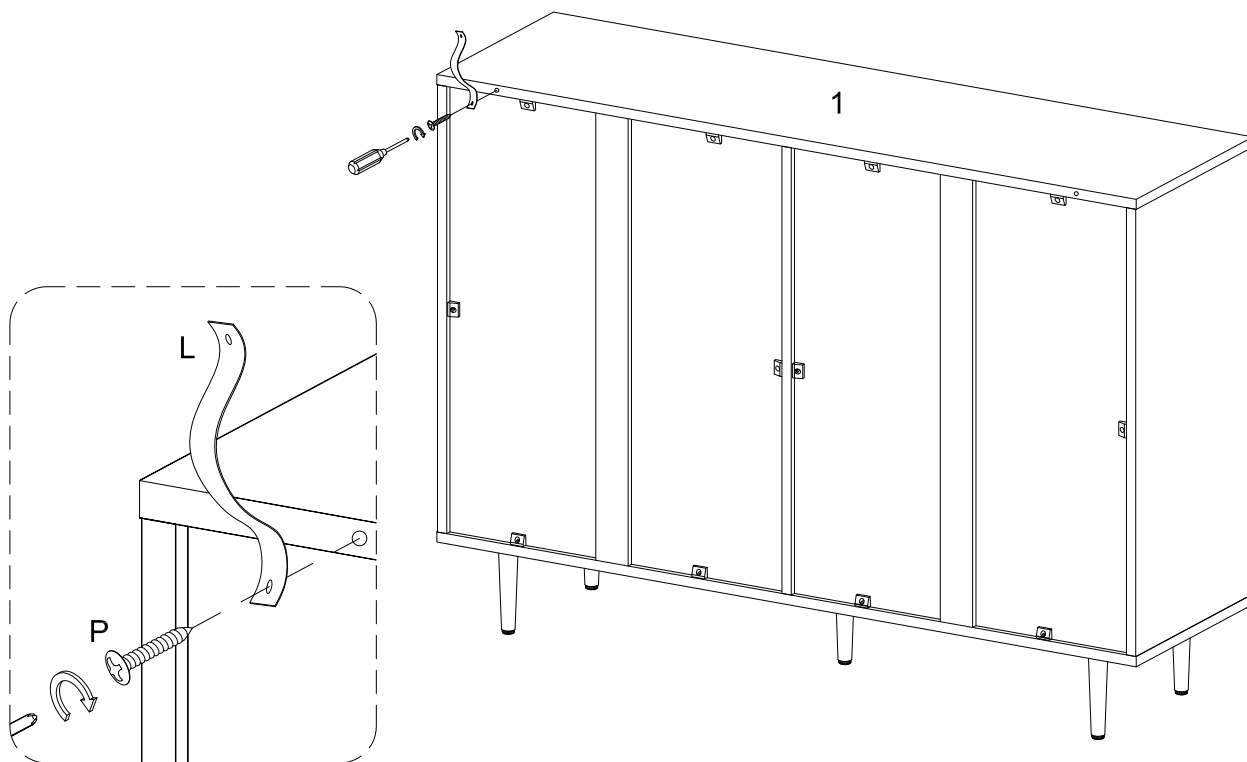
x 4



Loosen screw of glass holder (E), place and secure part (9) to glass holder (E) with Philips head screwdriver as per diagram.



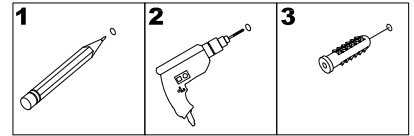
## Step 13



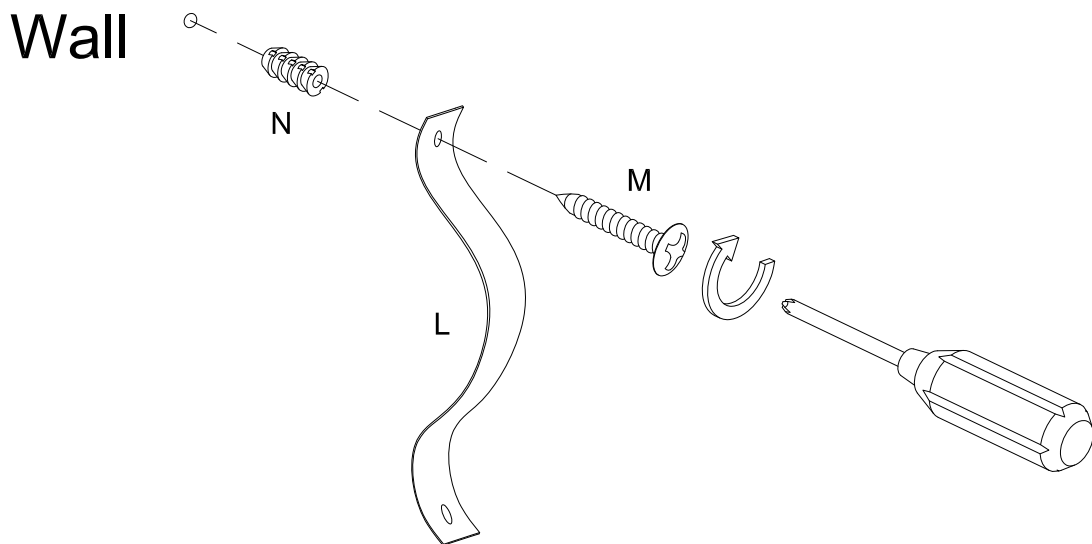
Attach plastic strap (L) to back of part (1) using screw (P) with Philips head screwdriver.

## Step 14

### WARNING

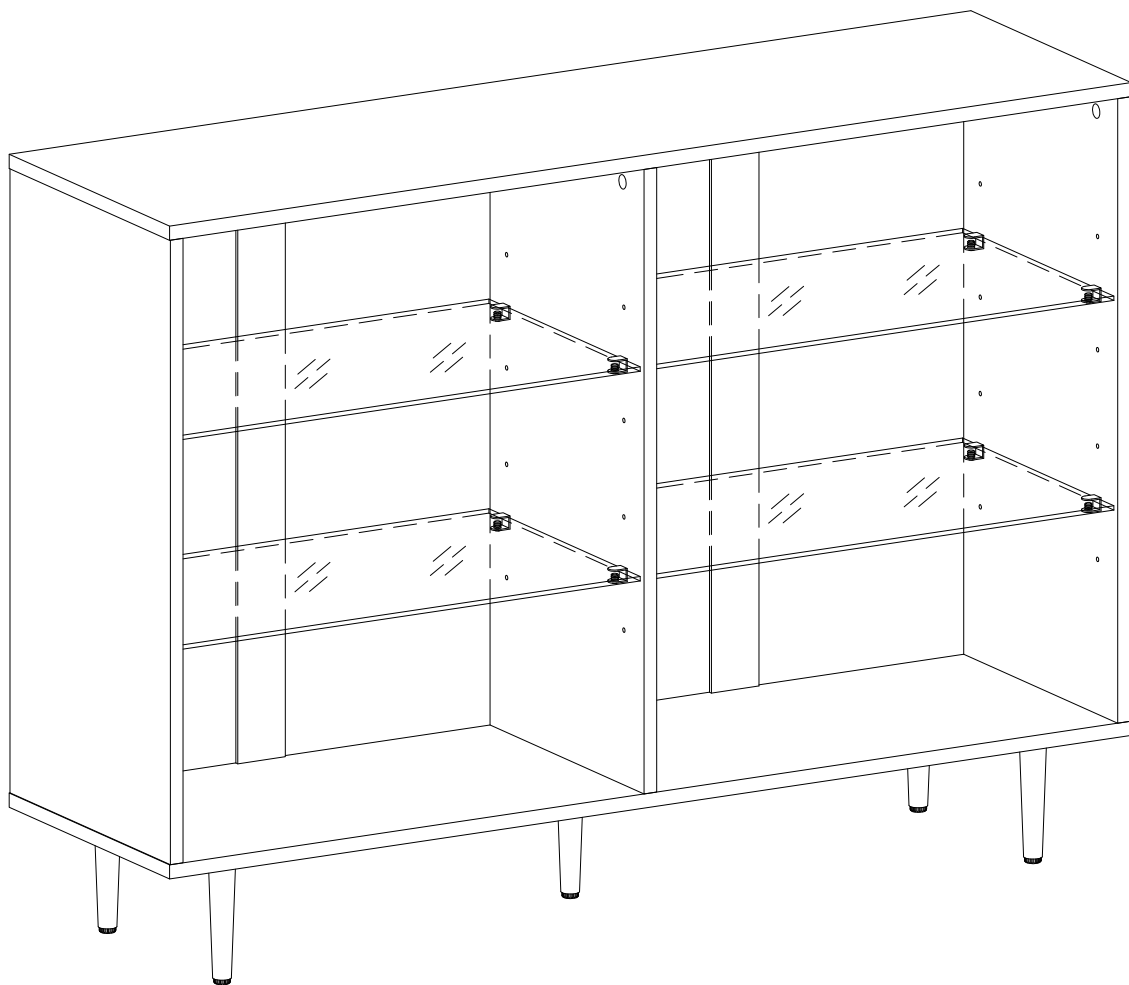


Serious or fatal injuries can occur from furniture tipping over. To prevent the furniture from tipping over we recommend that it is permanently fixed to the wall. Wall anchor and hardware are included with this product. Please make sure hardware is suitable for your walls before installing, as different wall materials may require different types of anchors.



1. Place unit in desired location and mark the wall for plastic strap location, drill hole using 6mm size bit.
2. Insert nut (N) into wall at desired location.
3. Secure furniture to wall using plastic strap (L) and screw (M) per diagram.

# Step 15



## Final Assembly