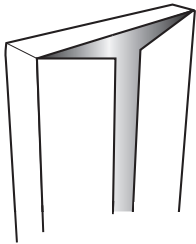


# Premium Double Security Screen Door Kit Installation Instructions



## DISREGARD INSTRUCTIONS INCLUDED WITH DOOR PANELS

- Read completely through the kit installation instructions before proceeding with installation
- Installation requires two people
- Use appropriate protective equipment, including safety glasses
- Children should not be allowed in work area
- Failure to install door correctly could result in injury



## RETAIN PACKAGING DURING INSTALLATION

Do NOT discard packaging materials until installation is complete



## PROFESSIONAL INSTALLATION RECOMMENDED

Above average degree of difficulty. Requires installation experience.



[helpmeinstallit.com](http://helpmeinstallit.com)

## NEED HELP?

### REVIEW INSTALLATION VIDEO

Even professional installers will benefit from watching.



**1-866-317-8867**  
[support@uhdco.com](mailto:support@uhdco.com)

## CONTACT US BEFORE RETURNING

Customer service and technical support are available.  
Monday - Friday: 6:30am - 4pm PST

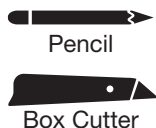
## RECOMMENDED TOOLS



Safety Glasses



Measuring Tape



Pencil

Box Cutter



Drill Bits

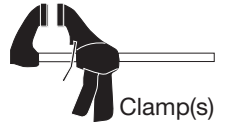
3/32" & 7/64"  
minimum length: 2-3/4"  
1/2" Spade Bit



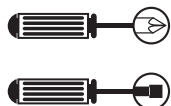
Drill



Needle Nose  
Pliers



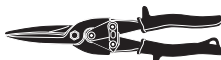
Clamp(s)



Phillips-head & Flat-blade  
screwdriver



Square



Tin Snips



Level



1/4" Wood Chisel



Rubber Mallet



Wood Blocks (2"x4"x6")  
Shims



Paintable Caulk &  
Caulk Gun

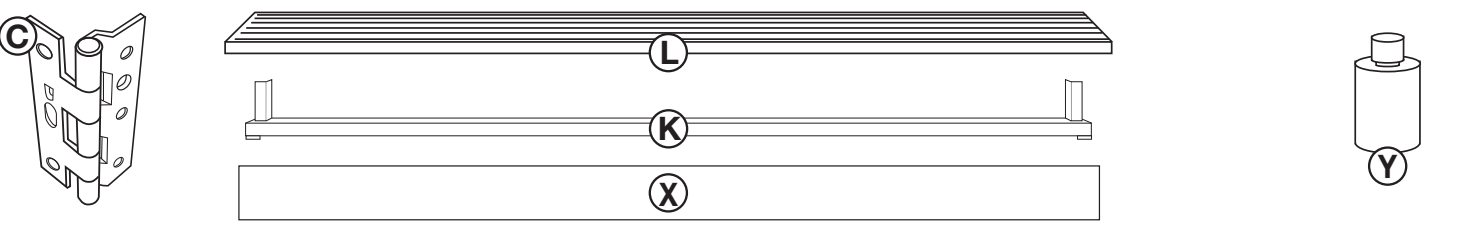
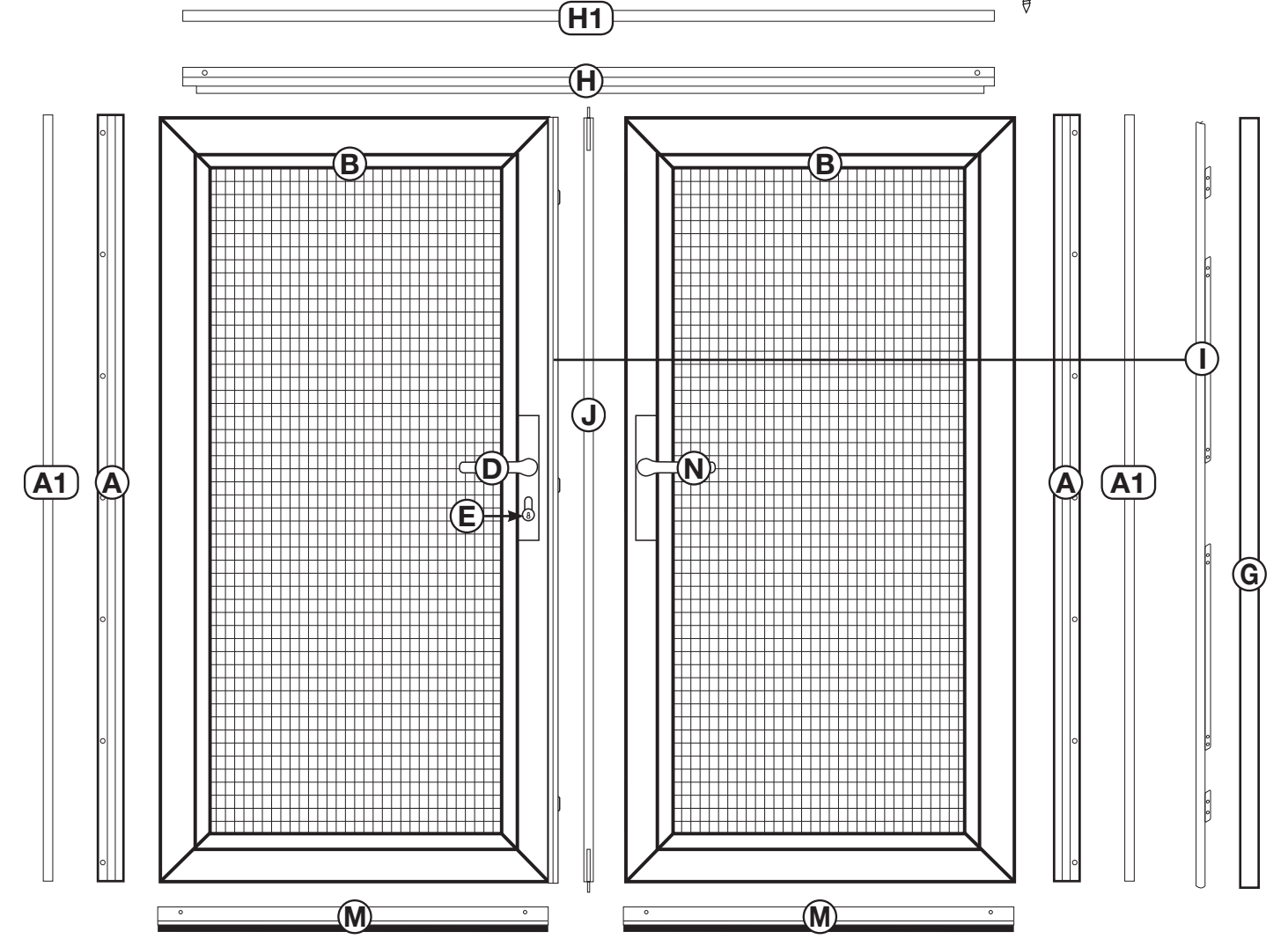
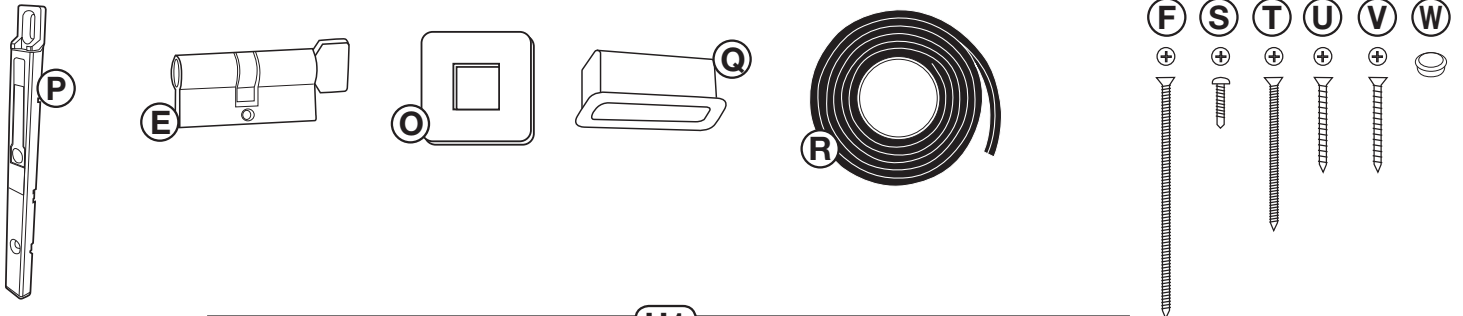
## DOOR BOXES (2)

- A) Hinge-side jambs (2)
- A1) Hinge-side snap covers (2)
- B) Security screen doors (2)
- C) Hinges (6)
- D) Locking handles (2)
- E) Lock cylinder (1)
- F) #10x3-1/2" flat-head screws (5 pcs.)
- G) Throw protector  
(do not remove until step 8)

## DOUBLE DOOR KIT

### PARTS, HARDWARE & FASTENERS:

- |                                   |                                 |   |
|-----------------------------------|---------------------------------|---|
| H) Top header jamb                | N) Dummy handles (2)            | S) #6 x5/8" pan head screws<br>(white - 24 pcs., black - 13 pcs.) |
| H1) Top header jamb<br>snap cover | O) Dummy handle blocks (2)      | T) #6x2" temporary dry wall<br>screws (4 pcs)                     |
| I) Latch guard                    | P) Shoot bolts (2)              | U) #8x1" flat-head screws   |
| J) Astragal                       | Q) Shoot bolt receiver cups (2) | V) #10x1" flat-head screws (6)                                    |
| K) Bottom bar                     | R) Weather stripping            | W) Screw cover caps (white - 6 pcs)                               |
| L) Threshold                      |                                 | X) Threshold template   |
| M) Bug sweeps (2)                 |                                 | Y) Touch-up paint   |



# 1 Identify and prepare mounting surface

## Inspect Your Entryway for Obstructions

Check for any obstructions above and around your entryway that may prevent the outward swing of your new security door, and/or its installation, such as:

- Light fixtures
- Low overhang
- Door bell
- Trees, bushes, or hanging plants

## Determine Type and Readiness of Mounting Surface

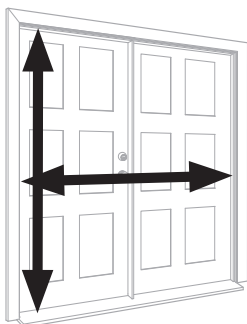
Your new security door will require a minimum mounting surface of 1" on the trim above, and on both sides of your entry door. Mounting screws should be secured to a stud in the wall. Review diagrams at right, and determine which one most resembles the trim around the entry door to which you will mount your security door.

## Measure Your Opening

Measure between the edges of the left and right mounting surfaces for opening width. Measure between the edge of the upper mounting surface and the existing threshold for opening height. Use the following chart and these measurements to be sure the security door will fit your opening.

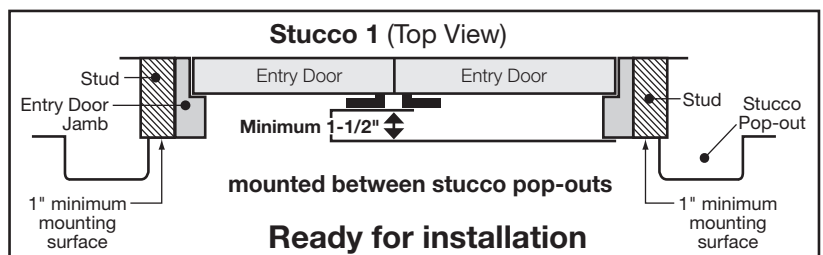
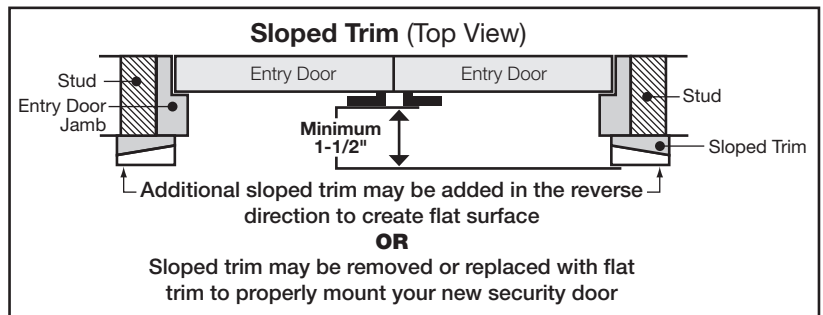
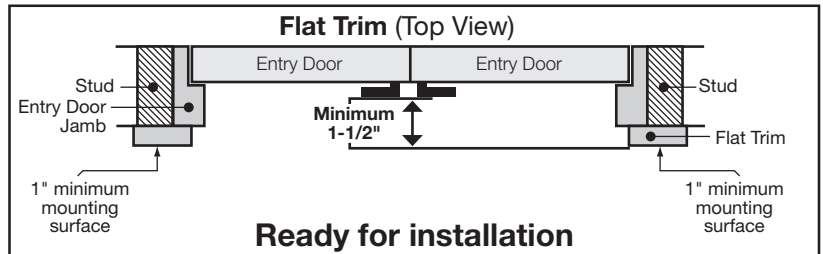
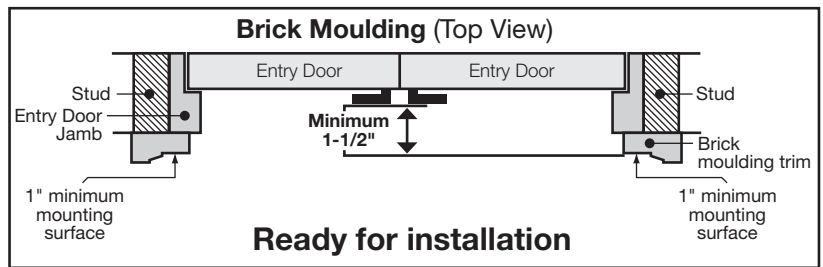
Security Door Size	Fits Door Opening Sizes	
	Width (W)	Height (H)
64" x 80"	64 5/8" - 65 5/8"	78 1/2" - 79 5/8"
72" x 80"	72 5/8" - 73 5/8"	

If the opening identified does not fall within the fit range, you can check to see if there is another mounting surface in your entryway that will work, build your mounting surface out using stop or similar trim, or remove and reconfigure your trim to fall within the fit range.

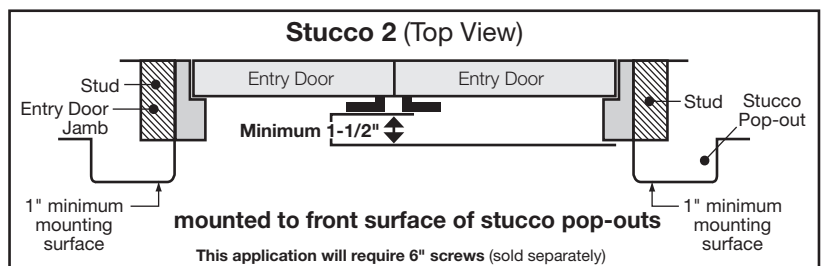


Measure height from inside edge of mounting surface to existing threshold

Measure width from inside edge of each mounting surface

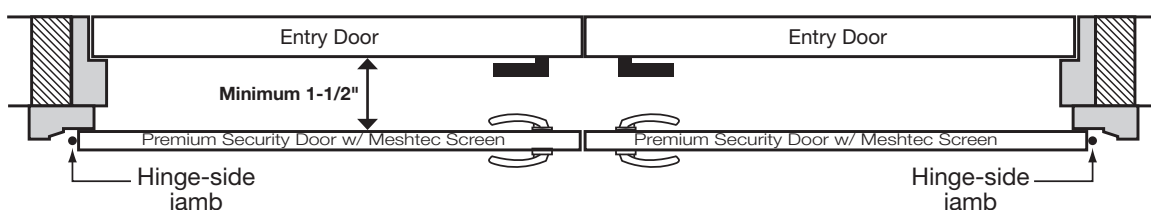


**CAUTION: Check closely for possible hardware interference!**



## Check for Hardware Interference

Measure the depth from the corner of your mounting surface to your existing entry door hardware. If this measurement is 1-1/2" or greater there is no potential for hardware interference. If the measurement is less than 1-1/2", measure from the edge of the mounting surface on top of the door to the top and bottom edge of the part of your existing hardware that intrudes into the 1-1/2" clearance. If either of these 2 measurements falls between 39-1/4" and 43-1/4", the security door and existing door hardware will interfere with each other. You can either build your mounting surface out to create the clearance required or change out your entry door hardware for lower profile units.



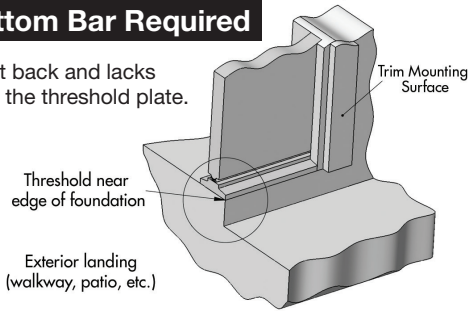
## 2 Determine your threshold configuration

Look at your existing entry door threshold and use the diagrams below to determine which threshold configuration best applies to your entryway. This will determine whether a bottom bar is or is not required for your security door.

### Bottom Bar Required



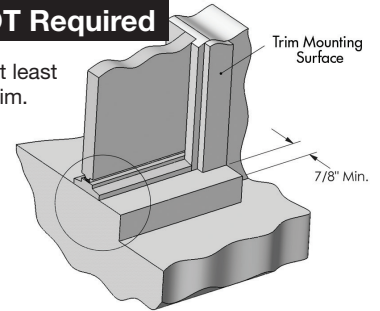
The concrete is set back and lacks space to mount to the threshold plate.



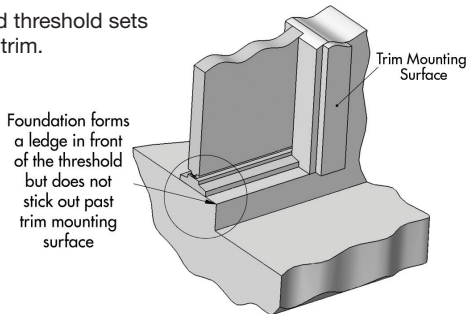
### Bottom Bar NOT Required



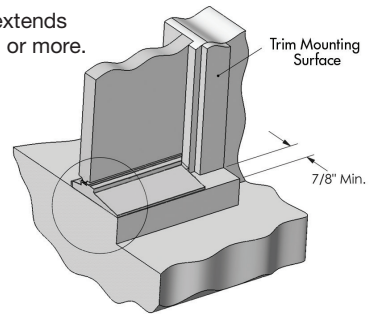
The concrete extends at least 7/8" further than your trim.



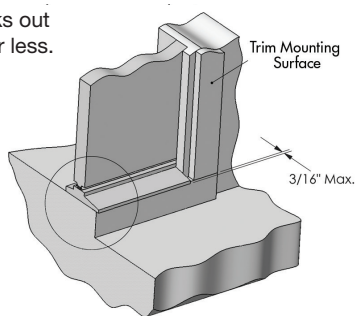
The concrete and threshold sets back behind the trim.



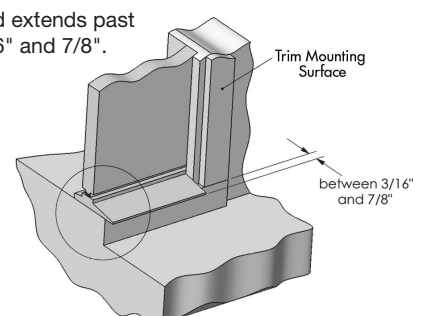
The existing threshold extends beyond the trim by 7/8" or more.



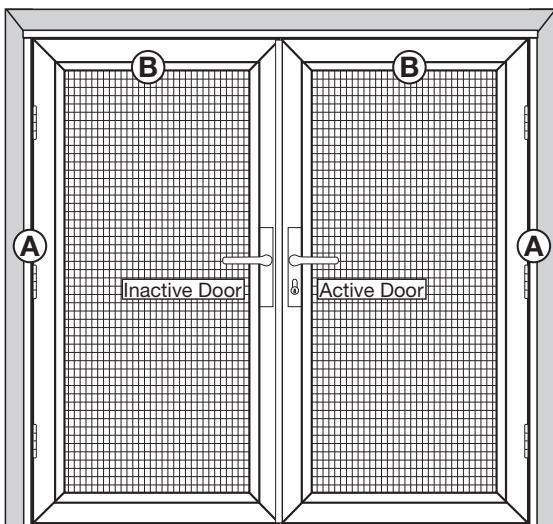
The existing threshold sticks out beyond the trim by 3/16" or less.



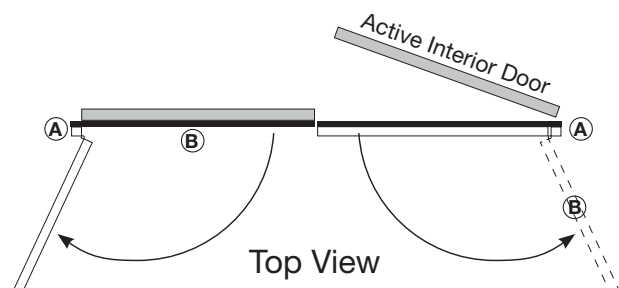
The existing threshold extends past the trim between 3/16" and 7/8".



## 3 Determine active and inactive doors



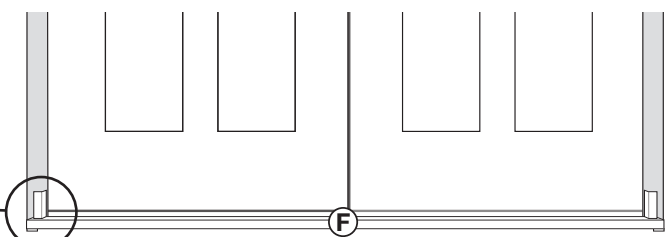
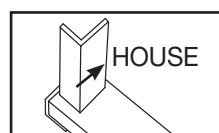
The **active door** should be on the same side as the active main door. Both security doors will be operational. The inactive door will be held stationary by shoot bolts (**P**) at the top and bottom of the door. The shoot bolts can be retracted to open the inactive door.



## 4 Install bottom bar if necessary

If using the bottom bar (**K**) it will need to be installed 1/8" to 1/4" lower than the existing doorway so that there is a slope to the threshold. This allows any moisture to drain away from the door.

Center the bottom bar in the door opening being sure the bracket opening is toward the house.



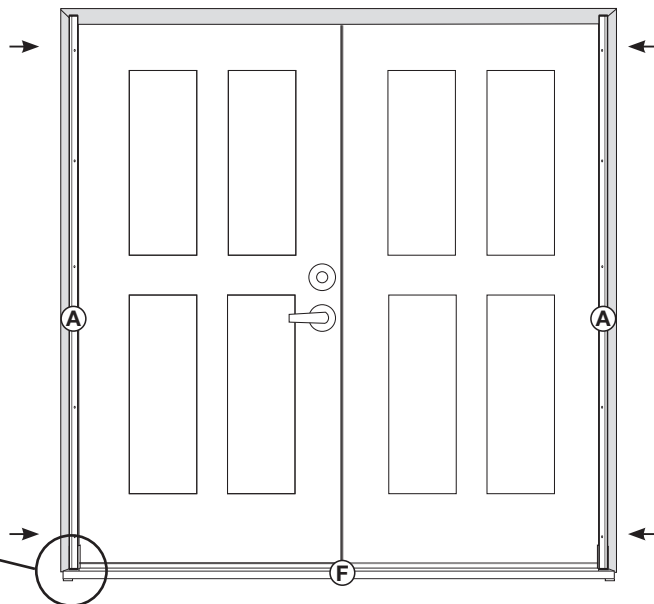
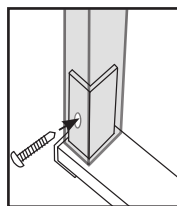
## 5 Install side jambs

Place the active door hinge-side jamb (A) into position over bottom bar (F). Be sure that it is plumb and level against the mounting surface. Install using two temporary mounting screws (#6x2" temporary drywall screws (T)) one at the top and one at the bottom.

Place the inactive door hinge-side jamb (A) into position over bottom bar (K). Be sure that it is plumb and level against the mounting surface. Install using two temporary mounting screws (#6x2" temporary drywall screws (T)) one at the top and one at the bottom.

These screws are inserted to temporarily hold the jambs in place. **Do NOT install permanent screws.**

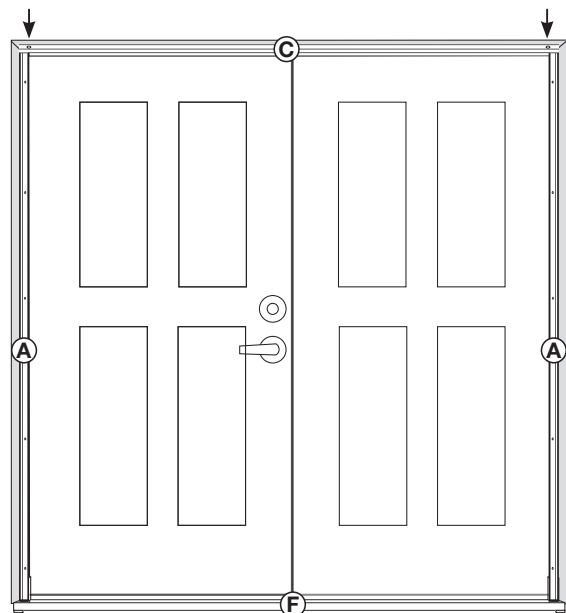
Install bottom bar using two black #6x5/8" pan head screws (S) as shown.



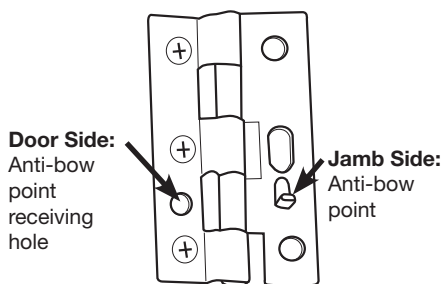
## 6 Install top header jamb

Place the top header jamb (H) into position, aligning flush on both ends with each hinge-side jamb (A). If necessary, loosen the top temporary screw(s) on the side jamb(s) (A) to make the top header jamb flush. Use two temporary mounting screws (#6x2" temporary drywall screws (T)) to attach top header jamb, one at the right and one at the left. Re-check plumb and level of side jambs and adjust as needed.

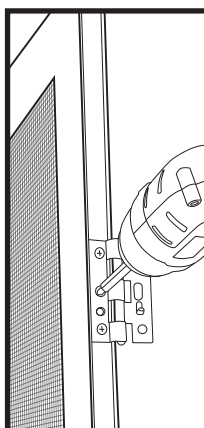
These screws are inserted to temporarily hold the jambs in place. **Do NOT install permanent screw.**



## 7 Attach hinges to doors



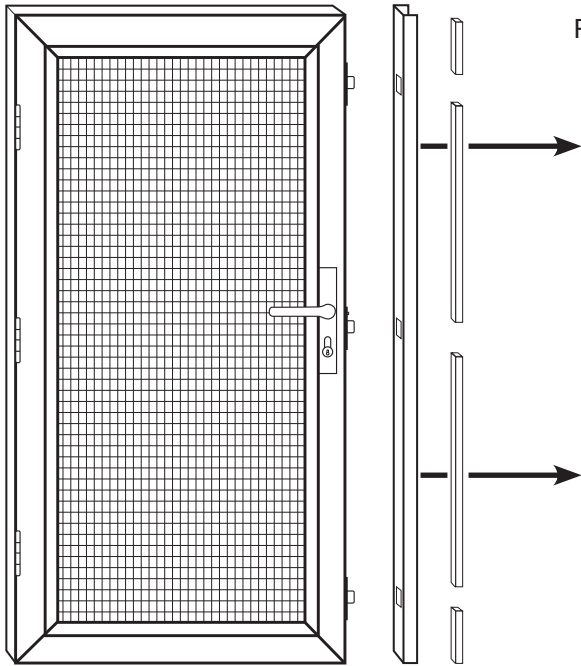
**Note:** The Anti-bow point receiving hole lines up with the pre-drilled hole on the door.



Place hinge (C) over pre-drilled holes on the door. The flat part of the hinge attaches to the door. The barrel of the hinge should always be on the outside of the door. Use screws provided with the hinges and attach all 3 hinges to each door.

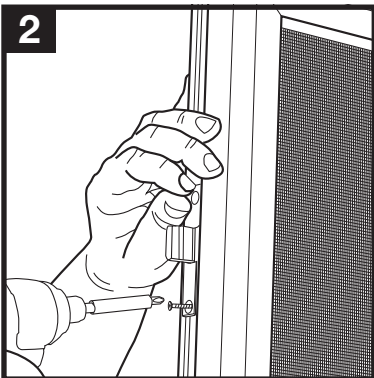
**CAUTION:** Do NOT lay door on it's side so that it rests on the 3-point lock throws. This will cause the system to offset and you will need to remove and reset the locking system (see step 17).

## 8 Remove throw protectors

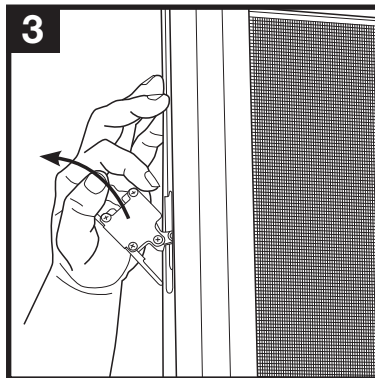


Remove tape and discard throw protectors (G).

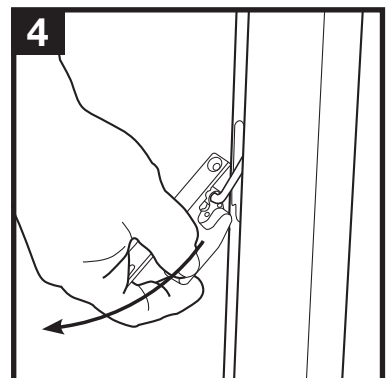
## 9 Prepare inactive door



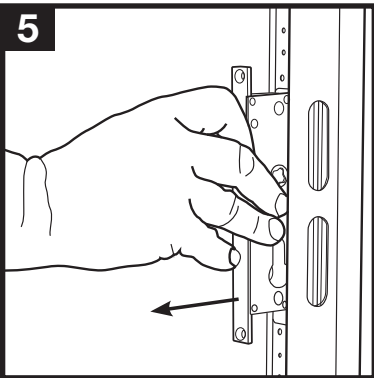
2 Remove the mounting screws on all three locks of the inactive door.



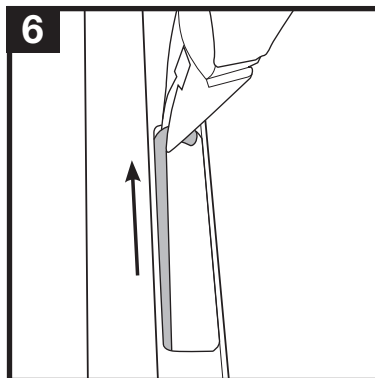
3 Lift the top lock up and out of the edge of the door and unattach the rod hooked to the rear of the latch assembly.



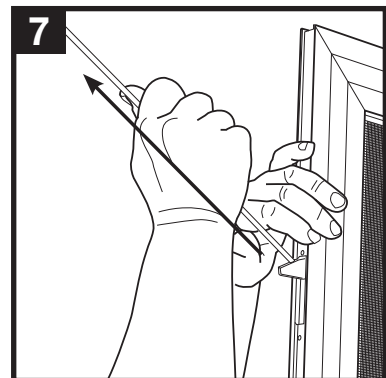
4 Pull the bottom lock down and out.



5 Remove the two screws in the mortise gear and center lock and pull out the assembly.

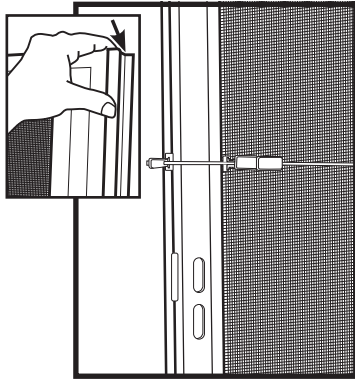


6 Using needle-nose pliers, grasp the rod assembly through the mortise gear in the center lock opening.

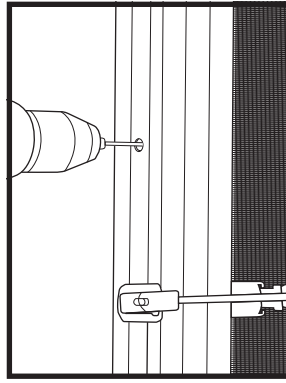


7 Grab the rod assembly through the top lock opening and pull the entire assembly out.

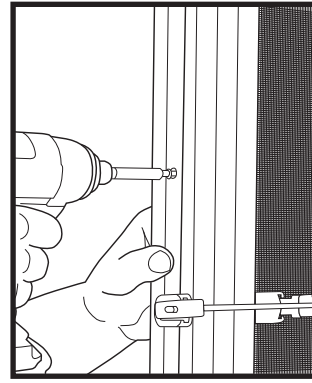
## 10 Install astragal on inactive door



Place the astragal (**J**) on the inactive door so the top edge is even with the top edge of the door panel. Clamp in place.

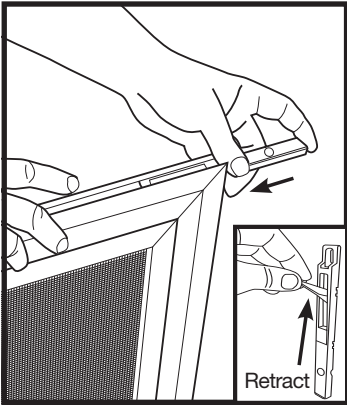


Pre-drill mounting holes into the inactive door panel through the four mounting holes in the astragal (**J**) using a 3/32" drill bit.

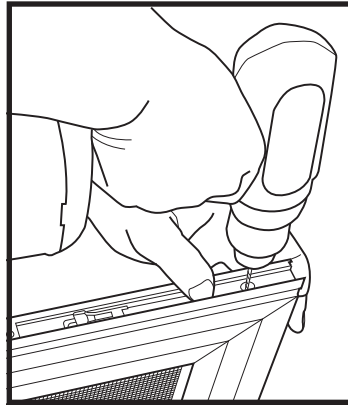


Attach the astragal (**J**) to the inactive door using #10x1" flat-head screws (**V**).

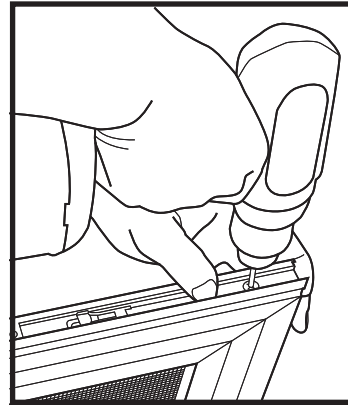
## 11 Install top shoot bolt in astragal



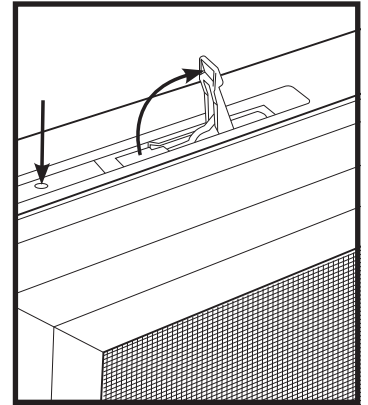
Retract the shoot bolt (**P**) using the lever indicated by the red dot. With door panel laying on hinge-side, slide the shoot bolt in the top of the astragal so it is flush with the top edge of the astragal (**J**).



Using the mounting hole in the shoot bolt (**P**) as a guide, use a 7/64" drill bit to pre-drill the exposed top mounting hole in the astragal (**J**).

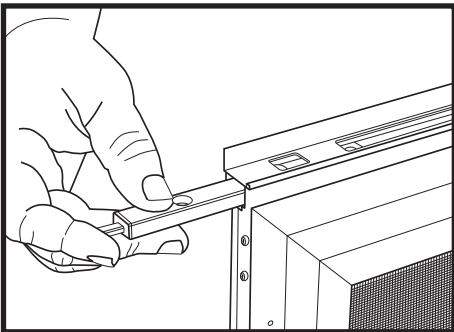


Install top screw (#8x1" flat-head screw (**U**)).

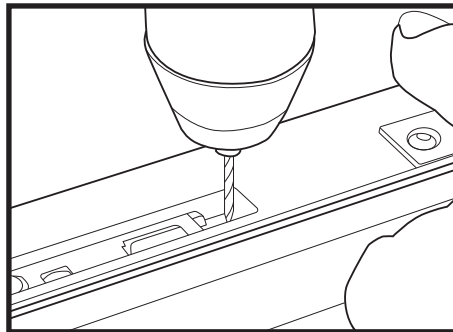


Deploy the shoot bolt lever to expose the bottom mounting hole. Use a 7/64" drill bit to pre-drill the bottom mounting hole. Finish attaching shoot bolt (**P**) to astragal (**J**) using a #8x1" flat-head screw (**U**).

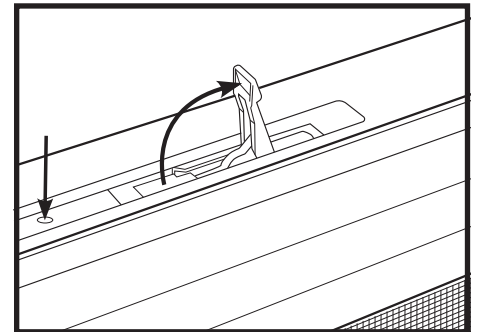
## 12 Install bottom shoot bolt in astragal



Slide the shoot bolt (**P**) into the astragal (**J**) at the bottom of the inactive door. Retract the shoot bolt by pulling up on the lever and position shoot bolt flush with the bottom of the astragal.

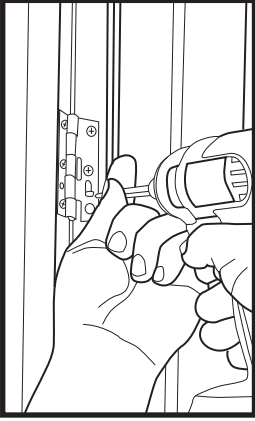


Using the exposed mounting hole in the shoot bolt (**P**) as a guide use a 7/64" drill bit to pre-drill a mounting hole in the door edge. Attach using #8x1" flat-head screw (**U**).



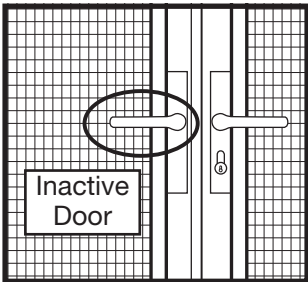
Deploy the shoot bolt lever to expose the bottom mounting hole. Use a 7/64" drill bit to pre-drill the bottom mounting hole. Finish attaching shoot bolt (**P**) with #8x1" flat-head screw (**U**).

## 13 Hang door panels

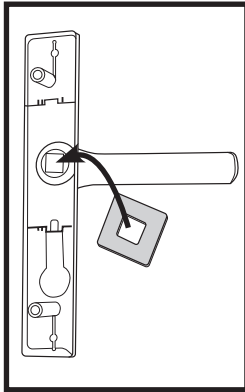


Have a helper hold each door in place. It is important the door is held in proper alignment so the first mounting screw in each hinge is driven straight into the door panel. It may help to use blocks or similar props to assist in keeping the door properly aligned. Attach all 3 hinges on each door to the frame using two #8x1" flat-head screws (**U**) in each hinge.

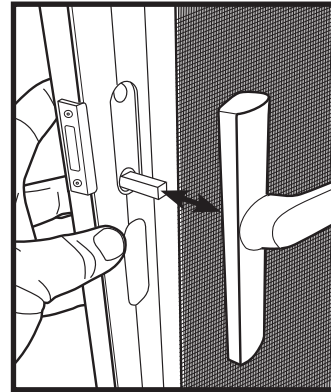
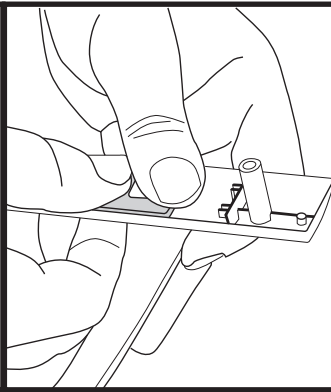
## 14 Install inactive door dummy handle



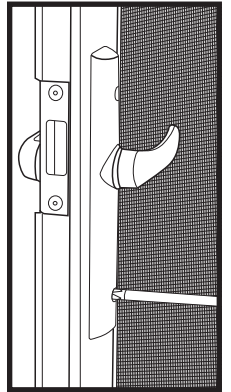
Make sure to orient handles in desired direction depending on right or left location of inactive door.



Install dummy handle block (**O**) on the back of each dummy handle (**N**). Tap block into place as needed so it is flush with the trim plate.

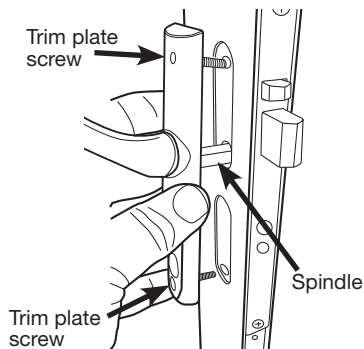


Insert dummy handle (**N**) with spindle through the interior of the active door and into the opposite dummy handle. Attach the handles using two 1" fine thread bolts included with the handle set. Leave each screw loose by 1/2 turn. They will be tightened in step 15.

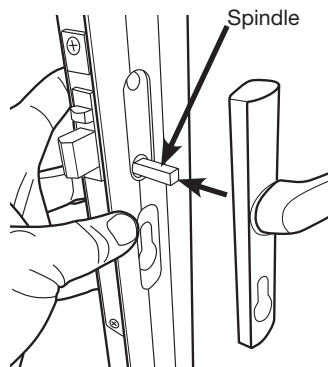


## 15 Install active door handle and lockset

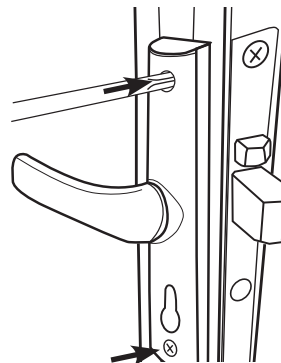
**1)** Start on the **interior** side of the door. With the handle (**D**) facing toward the screen, insert the spindle and mounting screws through the mortise gear in the door panel.



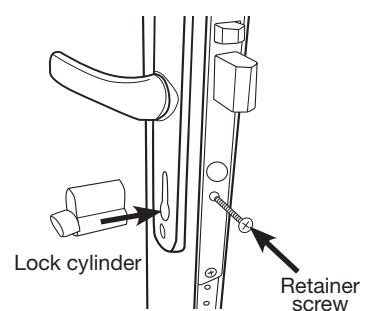
**2)** Move to the exterior of the active door. With the handle pointing toward the active door panel hinges, align the openings on the inside of the other handle (**D**) with the spindle and 2 mounting screws and position the handle against the door frame.



**3)** While holding both handle trim plates in place, tighten the mounting screws and then back off 2 turns. These screws will be tightened after the lock cylinder is installed.



**4)** From the inside of the door, insert the lock cylinder (**E**) into the door through the trim plate. Using a Phillips-head screw driver, tighten the retainer screw until snug. Do **NOT** over-tighten. Tighten the two handle mounting screws until snug.

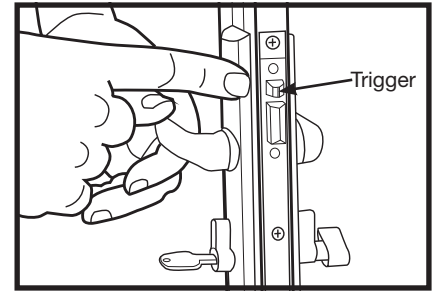




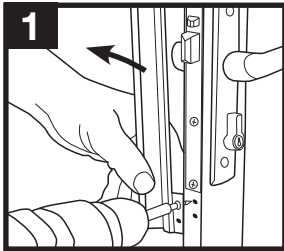
## 16 Test locking mechanism

With the door open, retract the 3-point locking mechanism using the key or the thumb turn. Keep the door **OPEN** and test the mechanism by first depressing the 3-point locking system trigger, then deploying the locks using the key or thumb turn. If the locks will not deploy, the system has been offset and must be manually reset..

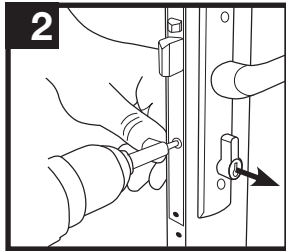
If test is successful, install screw cover caps included with door handles on interior and exterior sides of door handles. If not, proceed to step 17 before installing screw cover caps.



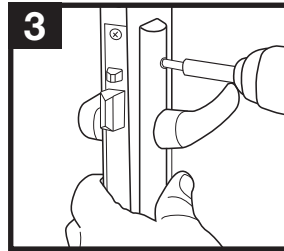
## 17 Reset locking mechanism IF REQUIRED



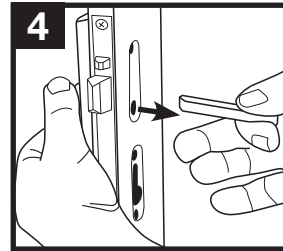
1 Remove latch guard, if installed (4 mounting screws, 2 top, 2 bottom, on edge of door frame).



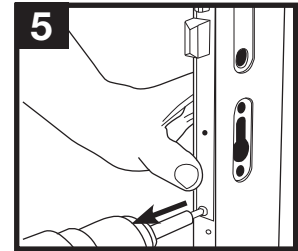
2 Remove cylinder by removing set screw through edge of door panel and pulling cylinder out of the door.



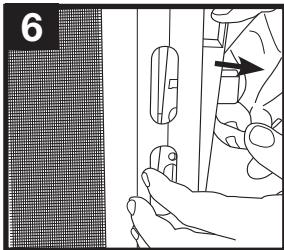
3 Remove handleset trim plates (2 mounting screws) – hold handles so they do not drop to floor.



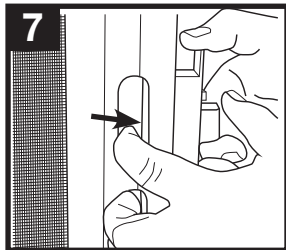
4 Remove handles and spindle.



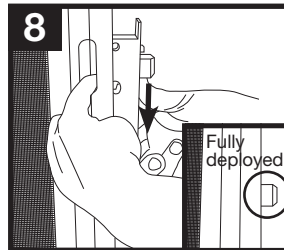
5 Remove the 2 mortise lock mounting screws in edge of door panel.



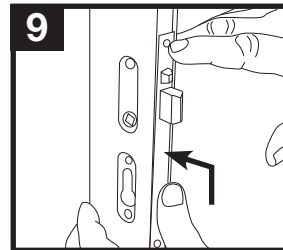
6 Grab main throw with one hand and pull mortise lock part way out of edge of door.



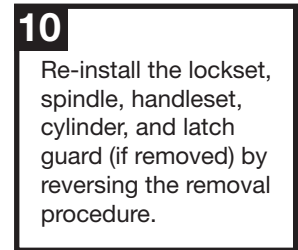
7 Place other hand **BEHIND** the black plastic linkage connector and keep pressure on it so that it stays connected to the mortise lock as you pull the mortise lock until it is almost out of the door.



8 With one hand still keeping pressure on the connector so it remains attached to the lock, use the other hand to move the lockset down. Listen for it to click, the top and bottom lock throws will fully deploy.



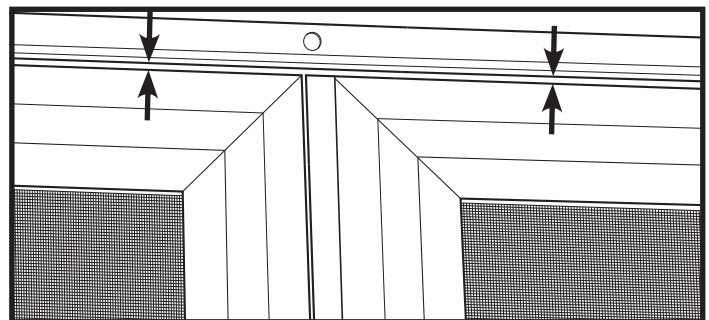
9 Ensuring the linkage connector stays attached to the back of the lockset, raise and slide the lockset back into the door panel.



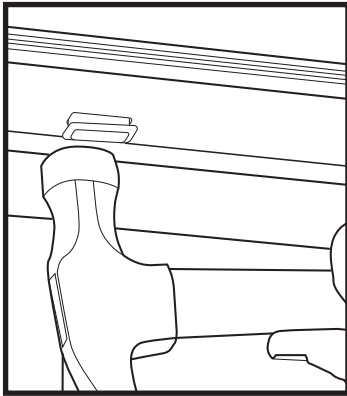
10 Re-install the lockset, spindle, handleset, cylinder, and latch guard (if removed) by reversing the removal procedure.

## 18 Adjust and align top reveal

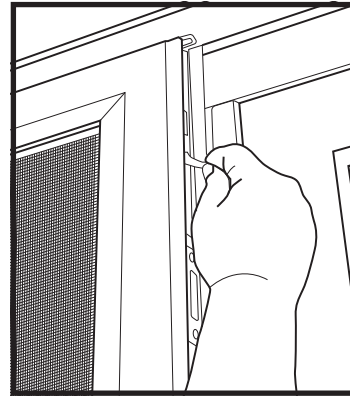
Close both the active and inactive doors. Both doors should align at the top with an even reveal. If adjustment is necessary loosen (do **NOT** remove) the top temporary jamb screws from each side jamb. Use a rubber mallet to tap the right or left side jamb so doors become aligned. Re-tighten temporary screws.



## 19 Install top shoot bolt receiver cup



Install the top shoot bolt receiver cup (**Q**) into the top header jamb (**H**). Using a hammer or rubber mallet, gently tap the shoot bolt receiver cup into the pre-cut hole in the top header jamb until flush.

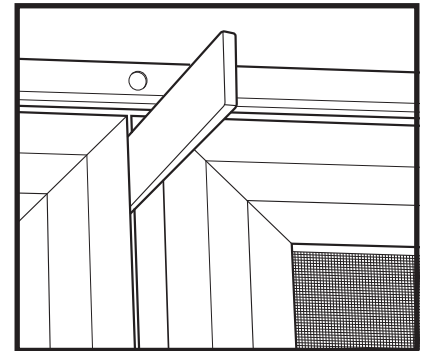


Close the inactive door and deploy the shoot bolt (**P**) to test for proper fit.

## 20 Adjust and align center reveal

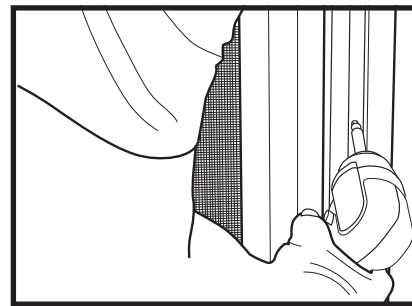
Close both the active and inactive doors (**B**). Both doors should align down the center with an even 1/8" reveal. If adjustment is necessary loosen (do **NOT** remove) applicable temporary jamb mounting screws. Use a rubber mallet to tap the right or left side jambs (**A**) in small increments, so doors become aligned and reveal is even. Hint: place a shim between the doors to help maintain the reveal while making adjustments. Re-tighten temporary screws as adjustments are made.

**Re-check for plumb.** If necessary slightly loosen temporary screws and place shim(s) between security door frame and house. Re-tighten temporary screws.

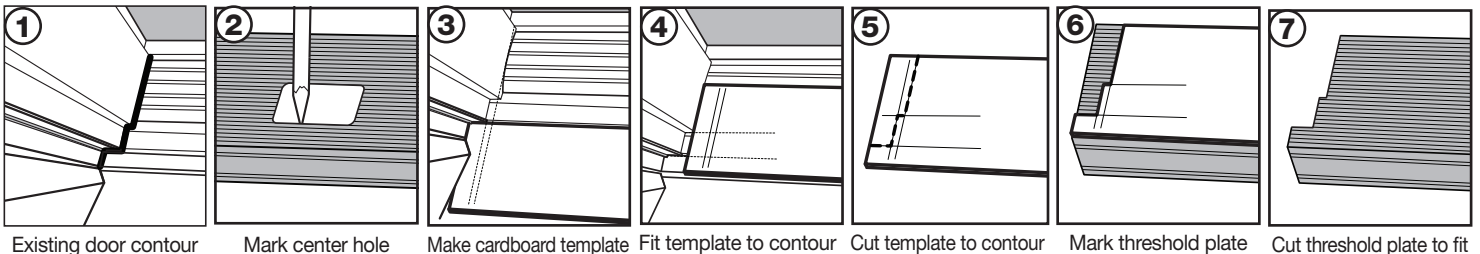


## 21 Install permanent mounting screws

Pre-drill through mounting holes without temporary screws using a 3/32" drill bit. Install permanent screws (#10 x3-1/2" self-tapping flat-head screws (**F**)) into mounting holes. Remove temporary screws one at a time and replace with permanent screws (#10 x3-1/2" self-tapping flat-head screws (**F**)).



## 22 Install threshold plate



- 1 The contour of door framing varies, making it necessary to cut the threshold (**L**) to fit. We recommend cutting a cardboard template to fit the opening first, to avoid cutting the threshold incorrectly.
- 2 Place the threshold template (**X**) on the under-side of the threshold plate flush at both ends. Mark the pre-punched rectangle in the center and trim out the hole.
- 3 Lay cardboard template provided (**X**) on top of the bottom bar and push into existing threshold as far as it will go. Align the hole in the center of the template with the bottom of the shoot bolt and center. Using a straight edge, mark the template at the various widths of your existing moulding and trim at both ends.

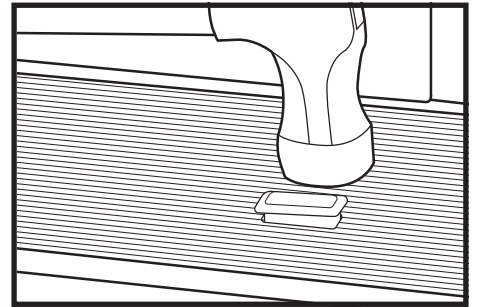
## 22 Install threshold plate (continued)

- 4 Move template so that front edge is flush to the front edge of bottom bar (it is okay to bend template to allow to fit the shortest width between your moulding and trim). Mark at the various corners of your existing moulding keeping in mind the shoot bolt receiver cup (Q) is in the center of the opening so the template must be lined up accordingly, then trim.
- 5 Using box cutter, cut template to shape of moulding and trim revealed by the markings. Test fit the template. (It should lay across the bottom bar, with the front edge flush to the front edge of the bottom bar, and fit in and around the corners of the existing moulding and trim.)
- 6 Once you have created a good template, use the template to mark the threshold plate.
- 7 Using tin snips/aviator snips, cut threshold plate to match the shape of the template (6). Position threshold plate to extend across the bottom bar and into the existing threshold. Use 1/8" drill bit to pre-drill holes for mounting screws. Attach threshold plate to existing threshold using the provided screws.

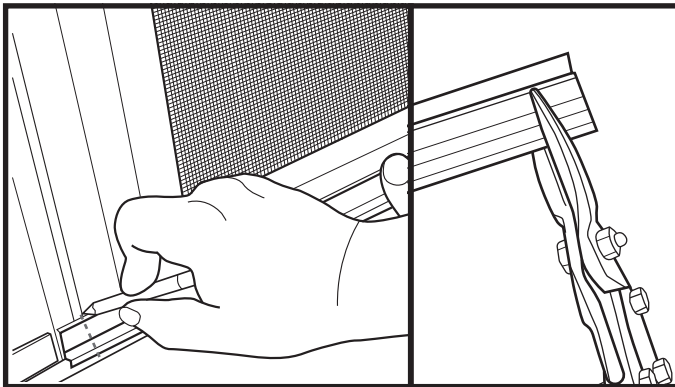
## 23 Install bottom shoot bolt receiver cup

Install the bottom shoot bolt receiver cup (Q) into the threshold (L). Using a hammer or rubber mallet, gently tap the shoot bolt receiver cup into the pre-cut hole in the threshold until flush.

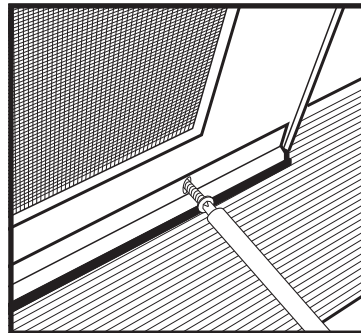
Close the inactive door and deploy the shoot bolt (P) to test for proper fit.



## 24 Install bug sweeps



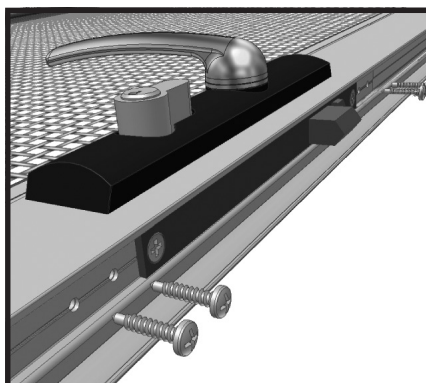
With both doors closed, position a bug sweep (M) on the bottom of the active door against the hinge-side jamb. Mark where the active door meets the edge of the astragal mounted to the passive door and trim using tin snips.



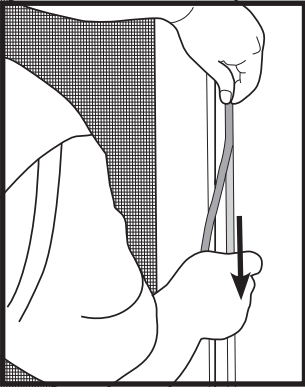
Place bug sweep (M) against active door and adjust up or down until the bottom of the sweep rests on the threshold. Attach the bug sweep using the screws provided. Repeat process, without trimming, for inactive door sweep. Attach bug sweeps using white #6x5/8 pan head screws (S).

## 25 Install latch guard

Hold or clamp latch guard in place even with the top of the active door aligning with the pre-drilled mounting holes in the door panel (B). Using a 3/32" drill bit, pre-drill hole in the door panel through the mounting holes in the latch guard and attach using six white #6x5/8" pan head screws (S).



## 26 Install astragal weather stripping

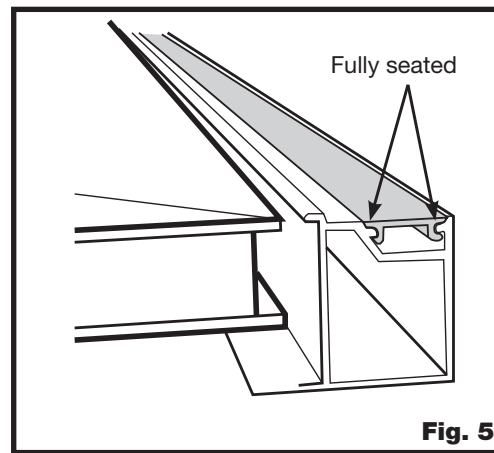
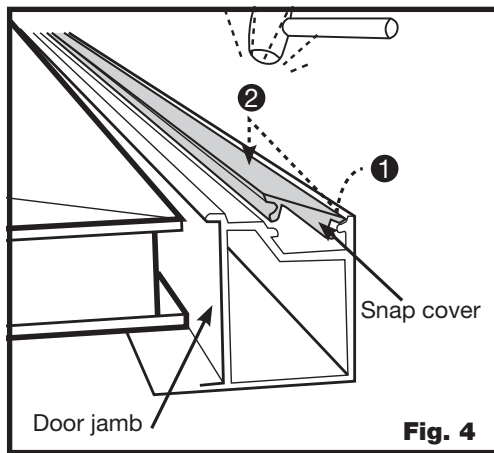


Install weather stripping (**R**) to the full length of the stop leg of the astragal (**J**) (where the active door closes against the astragal). Start at the top, remove approximately 6 inches of the protective backing at a time and adhere to the astragal. Slowly and carefully work your way down the full length of the door. Trim at the bottom as needed.

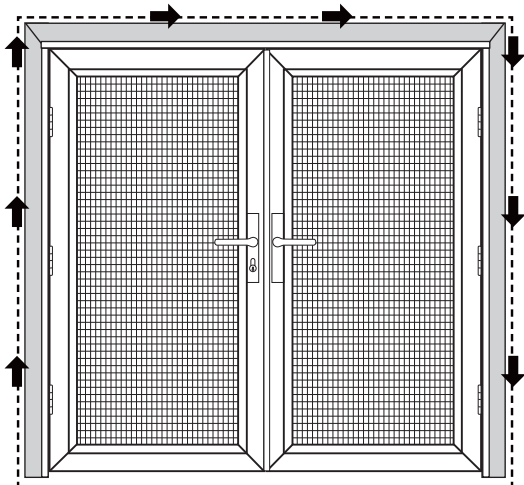
## 27 Install snap covers

Place the snap cover (**A1**) in the first hinge-side jamb (**Fig. 4, step 1**). Using a rubber mallet, hit on the side of snap cover seen in (**Fig. 5**) to securely snap cover into place. Once snap cover is secured, hold a wood block over the length of the snap cover and hit with mallet to smooth any irregularities in the snap cover surface.

Repeat process for the second hinge-side jamb (**A1**) and top header (**H1**) snap covers.



## Final touch-up suggestions



- ① **Caulk (not included)**  
Caulk around the outside of the security door jamb frame, using paintable caulk, and paint to the desired color.

- ② **White Grease Lubricant (not included)**  
Use white grease to lubricate the hinges of your new security door.

## Care and maintenance

Over time, airborne dust, dirt, and impurities can accumulate, which will cause visual defects to your Meshtec screen and, if not regularly and properly removed, can lead to further damage, staining, and corrosion. Your cleaning schedule depends upon your environment:

ENVIRONMENT	DESCRIPTION	CLEANING SCHEDULE
Mild	Inland, rural, and away from industry and urban activity	every 6 months
Moderate	Urban/suburban, inland, and away from heavy industry	every 3 months
Extreme	Urban/suburban, coastal (within 25 miles), or near heavy industry	every 2-4 weeks

Thoroughly wash the screen and door frame using a soft cloth, mild soap, and water. Take care to avoid exposing handles, main lock, and 3-point locks to excessive amounts of water. Using a dry, soft cloth, remove any excess water when done. Pay particular attention to drying the screen to frame attachment area fully. Avoid using any sharp objects or abrasive materials on the door frame or screen. Use white grease to lubricate the hinges at each cleaning.

## Warranty

Your Unique Home Designs security door with Meshtec Advanced Screen System is warranted against manufacturer defects under normal, residential use for the first 10 years you own the product, and terminates if you sell or otherwise transfer the product or the property upon which it was installed. An additional 5 years warranty protection is awarded (for 15 year total warranty) when the product is registered on-line at [uniquehd.com/registration](http://uniquehd.com/registration). Bug sweeps, weather-stripping, composite materials, and hardware included with or installed on the security door are covered for one year from date of purchase. Accessories fitted to the security door are not covered by this warranty, including but not limited to locks, handles, rollers, and closers. These accessories may be covered by warranties provided by the manufacturer or supplier of the products. Any problem caused by abuse, misuse, failure to follow care and maintenance instructions, adjustments due to settling of the structure that the product is mounted on, improper installation, or acts of God are not covered. Cutting parts not specified by the installation guide and parts drilled incorrectly are not included in this warranty. If manufacturer defects occur, Unique Home Designs will, at our discretion, either repair or replace the door. If your home is burglarized and entry was accomplished through a UHD security door, locked with the 3 point locking system, while this warranty is in effect, UHD will pay your insurance deductible up to \$1000 or replace, as applicable, the damaged UHD security door at no charge. Replacement items may vary in style due to changes in suppliers and product. Not all colors can be reproduced if colors have been discontinued. UHD is not responsible for any labor expense required to repair or replace the door. UHD is not responsible for securing the property while warranted items are being repaired or replaced.

To make a claim under this Warranty, send a brief written description of the problem, a picture of the claim, proof of purchase, and your contact information to: Unique Home Designs, 973 N. Colorado Street, Gilbert AZ. 85233  
Attn.: Warranty Claims

"Meshtec" is the registered Trade Mark of Meshtec International Co., Ltd. ('MTC') in the United States and other various worldwide jurisdictions (including registrations pending) and may not be used without the prior written consent of MTC.

## Extend Your Warranty!

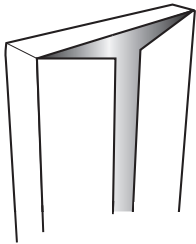
When you register on-line at [uniquehd.com/registration](http://uniquehd.com/registration)

# Instrucciones de instalación del kit de puerta con doble malla de seguridad *premium*



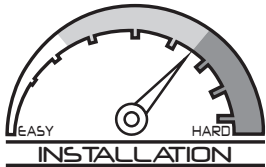
## IGNORAR INSTRUCCIONES INCLUIDAS CON LOS PANELES DE LA PUERTA

- Lee todas las instrucciones de instalación del kit antes de la instalación
- La instalación requiere de dos personas
- Usa el equipo de protección apropiado, incluyendo gafas de seguridad
- Mantén los niños alejados del área de trabajo
- Instalar incorrectamente la puerta puede causar lesiones



## CONSERVA EL EMPAQUE DURANTE LA INSTALACIÓN

NO deseches los materiales del empaque hasta que la instalación haya terminado.



## SE RECOMIENDA UNA INSTALACIÓN PROFESIONAL

Grado de dificultad por encima del promedio. Requiere experiencia en la instalación.



[helpmeinstallit.com](http://helpmeinstallit.com)

## ¿NECESITAS AYUDA?

## CONSULTA EL VIDEO DE INSTALACIÓN

Incluso los instaladores profesionales se benefician al verlo.



**1-866-317-8867**  
[support@uhdco.com](mailto:support@uhdco.com)

## CONTÁCTANOS ANTES DE DEVOLVERLO

Servicio al cliente y soporte técnico disponibles.

Lunes - Viernes: De 6:30 am a 4:00 pm Hora Estándar del Pacífico

## HERRAMIENTAS RECOMENDADAS



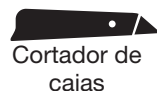
Gafas de seguridad



Cinta de medir



Lápiz



Cortador de cajas



Brocas

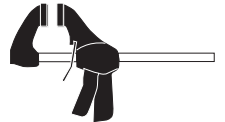
3/32" & 7/64"  
tamaño mínimo: 2-3/4"  
Broca plana de 1/2"



Taladro



Alicates de punta de aguja



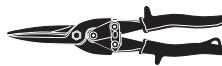
Abrazadera (s)



Destornillador plano y de cabeza Phillips



Plaza



Tijeras de hojalatero



Nivel



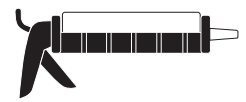
Cinzel de madera de 1/4"



Mazo de goma



Bloques de madera (5.1 cm x 10.2 cm x 15.2 cm)  
Cuñas



Pistola para pasta selladora y pasta selladora que se puede pintar

## CAJAS DE PUERTAS (2)

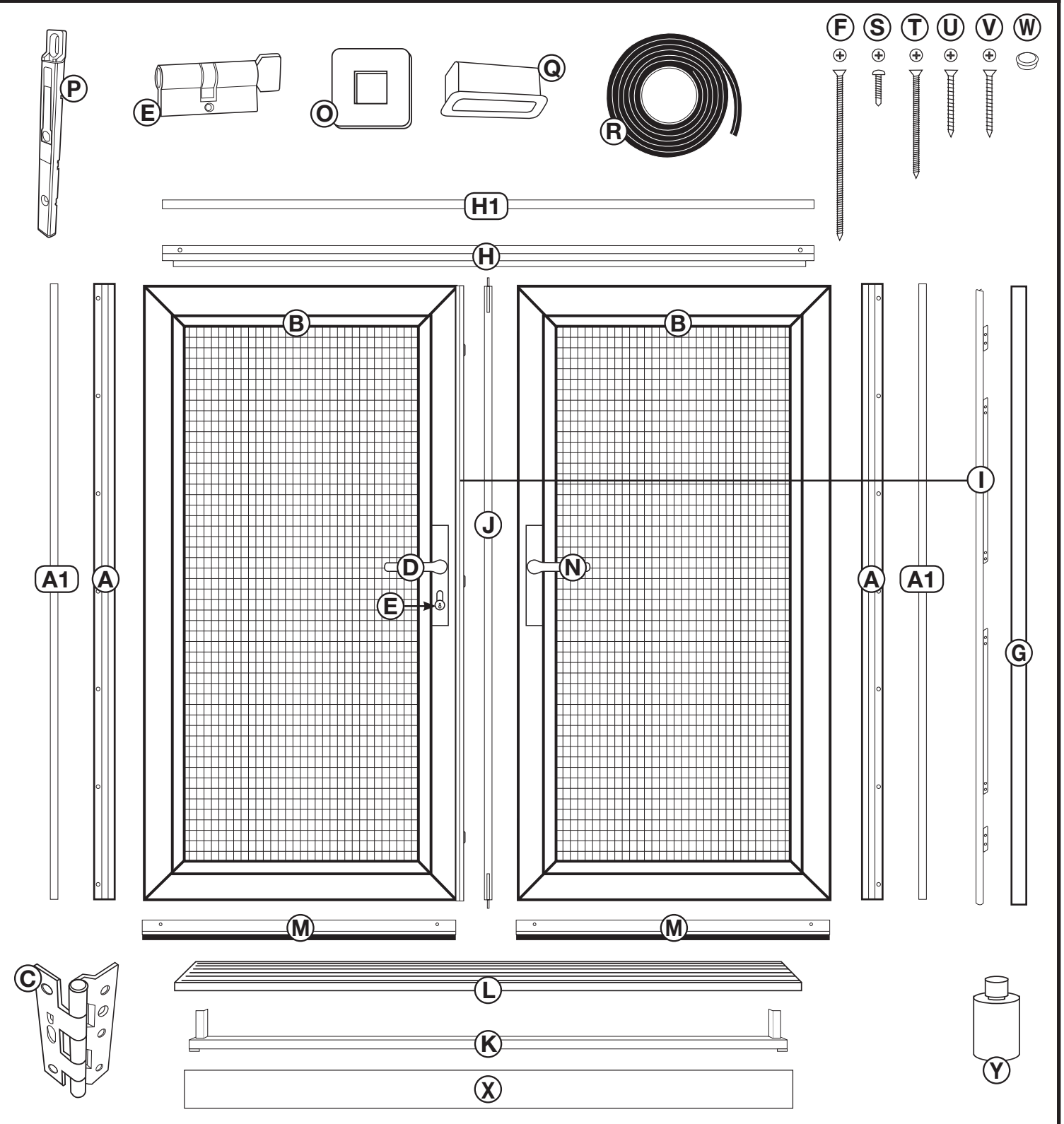
- A) Jambas del lado de las bisagras (2)
- A1) Cubiertas a presión del lado de las bisagras (2)
- B) Puertas con malla de seguridad (2)
- C) Bisagras (6)
- D) Manijas de cierre (2)
- E) Cilindro de la cerradura (1)
- F) Tornillos de cabeza plana núm. 10x3-1/2" (5 piezas)
- G) Protectores (no quitar hasta el paso 8)

## KIT DE PUERTA DOBLE

### PIEZAS, HERRAJES Y SUJETADORES:

- H) Jamba del travesaño superior
- H1) Cubierta a presión de la jamba del travesaño superior
- I) Protector del pestillo
- J) Astrágalo
- K) Barra inferior
- L) Umbral
- M) Guardapolvos inferiores contra insectos (2)
- N) Manijas decorativas (2)
- O) Bloques de manijas decorativas (2)
- P) Pestillos con resorte (2)
- Q) Receptores de pestillos con resorte (2)
- R) Burlete

- S) Tornillos de cabeza plana biselada núm. 6x5/8" (blancos - 24 piezas, negros - 13 piezas)
- T) Tornillos temporales de drywall núm. 6x2" (4 piezas)
- U) Tornillos de cabeza plana núm. 8x1"
- V) Tornillos de cabeza plana núm. 10x1" (6)
- W) Tapas de tornillos (blancas - 6 piezas)
- X) Plantilla del umbral
- Y) Pintura para retoques



# 1) Determina y prepara la superficie de montaje

## Revisa si hay obstáculos en la entrada

Comprueba si arriba o alrededor de la entrada hay obstáculos que puedan impedir la instalación de la nueva puerta de seguridad o su abertura hacia afuera; obstáculos como:

- Lámparas
- Salientes bajos
- Timbre de puerta
- Árboles, arbustos o plantas colgantes

## Determina el tipo y el estado de la superficie de montaje

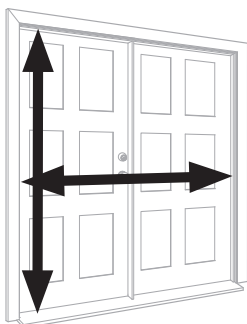
Tu puerta de seguridad necesita una superficie de montaje de al menos 2.5 cm en ambos lados de una esquina del contramarco o jamba superior y en los dos lados de la puerta de entrada. Consulta los diagramas a la derecha y determina cuál se parece más al contramarco de la puerta de entrada donde montarás tu puerta de seguridad.

## Mide la abertura

Mide el ancho de abertura entre los bordes de los lados derecho e izquierdo de la superficie de montaje. Mide el alto de abertura entre el borde de la superficie de montaje superior y el umbral existente. Usa la tabla siguiente y esas medidas para garantizar que la puerta de seguridad se ajustará a la abertura.

Tamaño de la puerta de seguridad	Se ajusta a tamaños de aberturas de puertas	
	Ancho (AN)	Altura (AL)
162.6 cm x 203.2 cm	164.1 cm - 166.7 cm	199.39 cm - 202.24 cm
182.9 cm x 203.2 cm	184.5 cm - 187 cm	

Si la abertura determinada no está incluida en el rango de ajuste, puedes verificar si existe otra superficie de montaje en tu entrada que pueda usarse, o puedes construir tu superficie de montaje en forma de expansión usando un tope o moldura, o puedes quitar y reconfigurar tu contramarco para que se ajuste al rango.

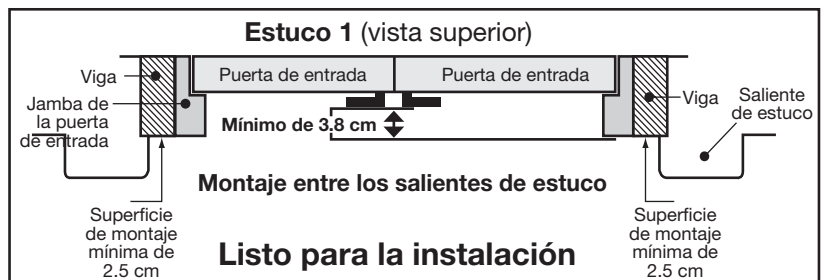
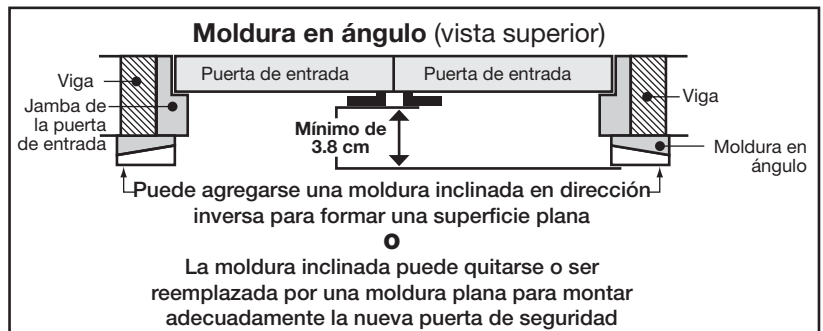
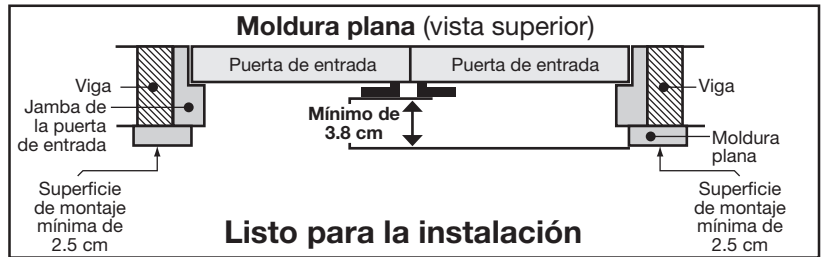
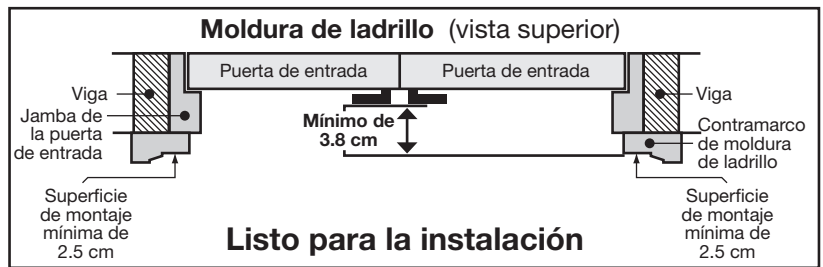
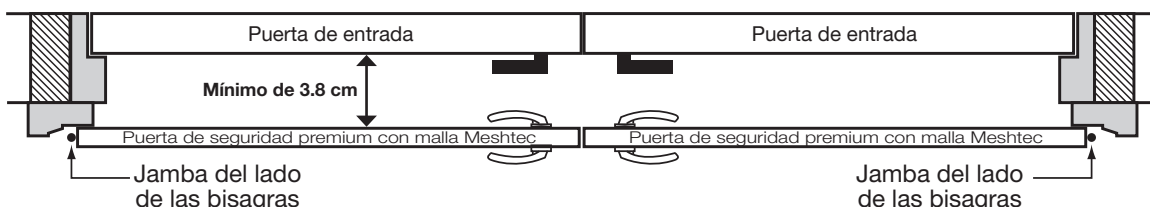


Mide la altura desde el borde interior de la superficie de montaje al umbral existente

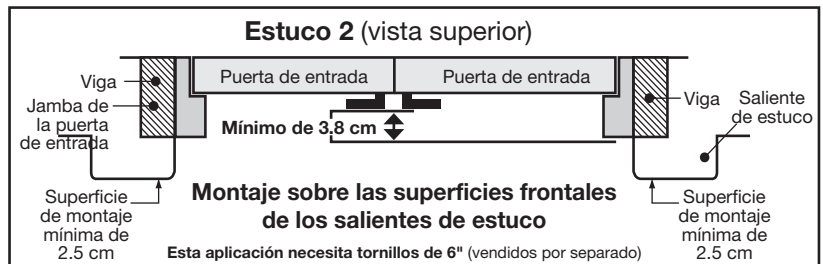
Mide el ancho desde el borde interior de cada superficie de montaje

## Verifica que no haya interferencia de los herrajes

Mide la profundidad desde la esquina de tu superficie de montaje hasta los herrajes de la puerta de entrada existente. Si la medida es de 3.8 cm o mayor, no habrá interferencia de los herrajes. Si la medida es menor que 3.8 cm, mide desde el borde de la superficie de montaje en la parte superior de la puerta hasta el borde superior e inferior de la parte de los herrajes existentes que penetra en el espacio de 3.8 cm. Si alguna de estas dos medidas está entre 0.997 m y 1.098 m, habrá interferencia entre la puerta de seguridad y los herrajes existentes. Puedes expandir la superficie de montaje para crear el espacio necesario o puedes montar la puerta de seguridad de forma tal que abra hacia el lado contrario a la puerta de entrada principal.



**PRECAUCIÓN: ¡Verifica bien que no haya interferencia de los herrajes!**





## 2 Determina la configuración de tu umbral

Observa el umbral de tu puerta de entrada actual y usa los diagramas más abajo para determinar cuál es el umbral adecuado para tu entrada. Esto determinará si necesitarás o no instalar una barra inferior en tu puerta de seguridad.

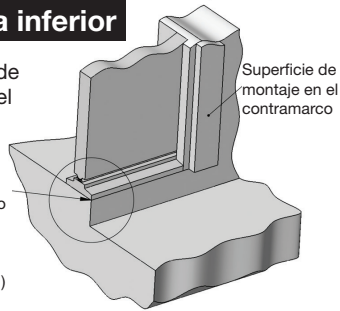
### Requiere la barra inferior



No hay espacio en la superficie de concreto para montar la placa del umbral.

El umbral está cerca del borde del cemento

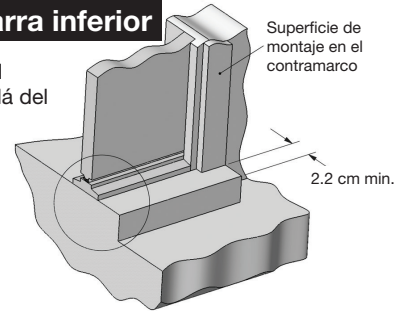
Descanso exterior (entrada, patio, etc.)



### NO requiere la barra inferior

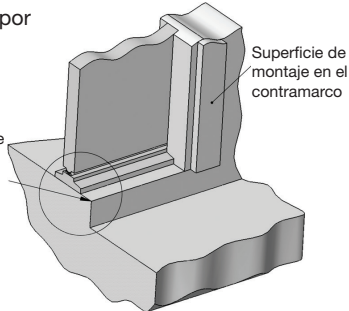


El concreto sobresale al menos 22.2 mm más allá del contramarco.

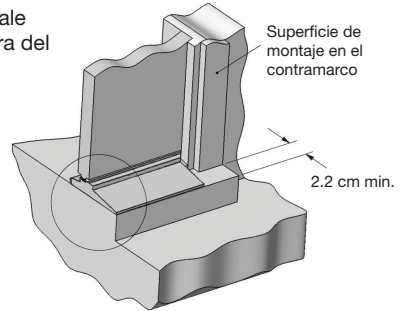


El concreto y el umbral están por detrás del contramarco.

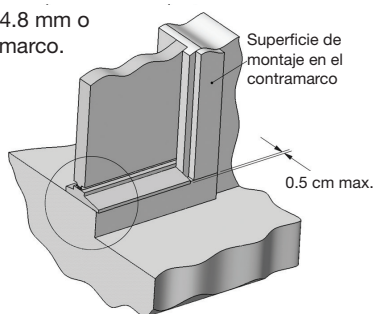
El cemento forma un saliente en frente del umbral pero no sobresale más allá de la superficie de montaje del contramarco



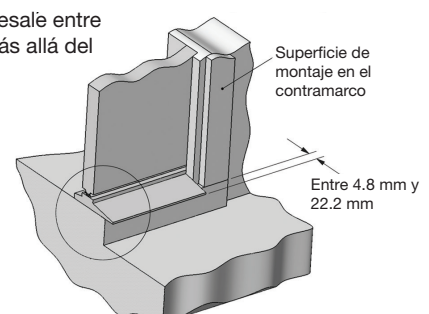
El umbral actual sobresale 22.2 mm o más por fuera del contramarco.



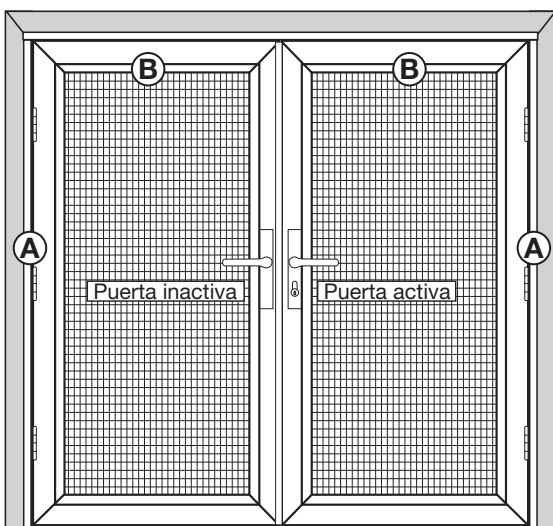
El umbral actual sobresale 4.8 mm o menos, más allá del contramarco.



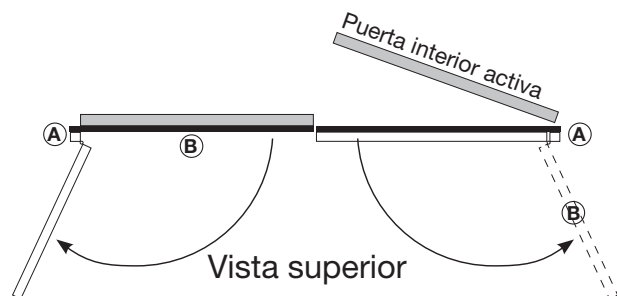
El umbral actual sobresale entre 4.8 mm y 22.2 mm más allá del contramarco.



## 3 Determina las puertas activas e inactivas



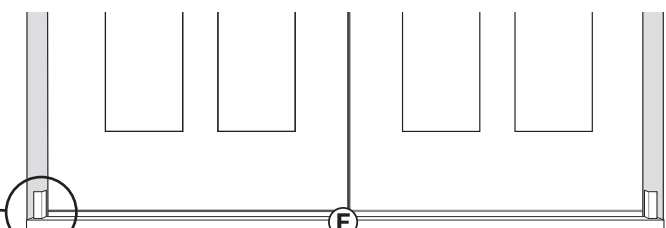
La **puerta activa** debe estar en el mismo lado de la puerta principal activa. Ambas puertas de seguridad funcionarán. La puerta inactiva permanecerá inmovilizada por pestillos con resorte (**P**) en la parte superior e inferior de la puerta. Los pestillos con resorte pueden retirarse para abrir la puerta inactiva.



## 4 Instala la barra inferior si es necesario

Si es necesario usar la barra inferior (**K**), debe instalarse de 3.2 a 6.4 mm por debajo de la entrada actual para dejar una inclinación con respecto al umbral. Ello permite drenar la humedad lejos de la puerta.

Centra la barra inferior en la abertura de la puerta asegurándote de que la abertura del soporte quede frente a la casa.



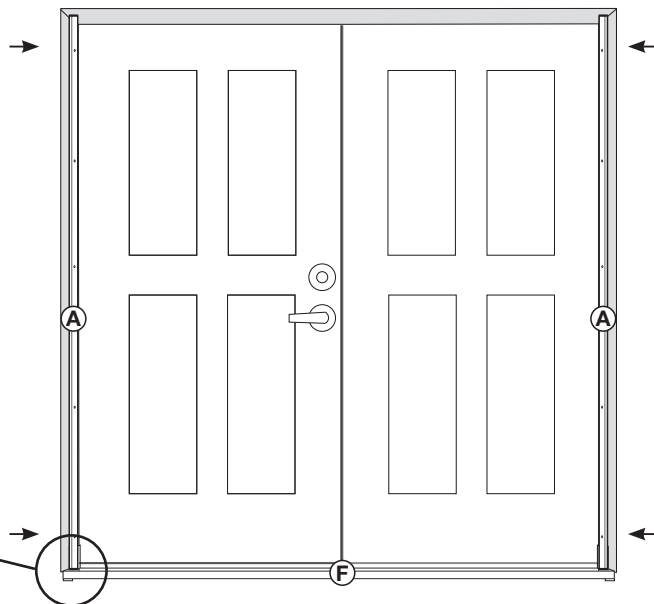
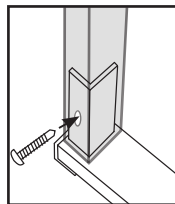
## 5 Instala las jambas laterales

Coloca la jamba (A) del lado de las bisagras de la puerta activa en su sitio sobre la barra inferior (F). Verifica que esté a plomo y nivelada contra la superficie de montaje. Instala con dos tornillos de montaje temporal para drywall núm. 6x2" (T), uno en la parte superior y otro en la inferior.

Coloca la jamba (A) del lado de las bisagras de la puerta inactiva en su sitio sobre la barra inferior (K). Verifica que esté a plomo y nivelada contra la superficie de montaje. Instala con dos tornillos de montaje temporal para drywall núm. 6x2" (T), uno en la parte superior y otro en la inferior.

Estos tornillos se usan para sujetar temporalmente la jamba en su sitio. **NO instales tornillos permanentes.**

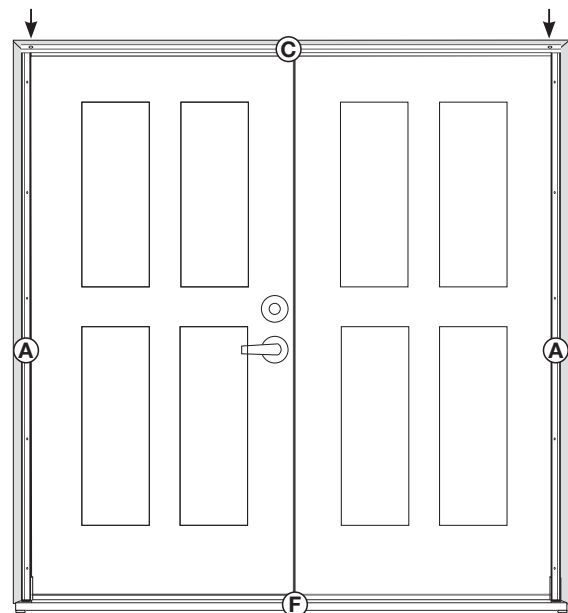
Instala la barra inferior con dos tornillos negros de cabeza plana biselada núm. 6x5/8" (S) como se muestra.



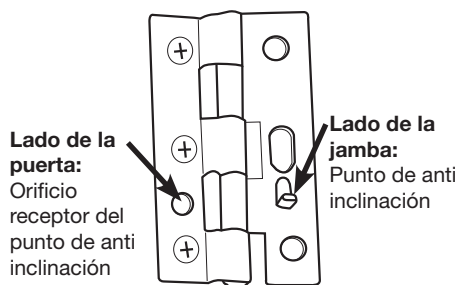
## 6 Instala la jamba del travesaño superior

Coloca la jamba del travesaño superior (H) en su lugar, alinéala para que quede al ras en ambos extremos con cada jamba (A) del lado de las bisagras. Si es necesario, afloja el/los tornillo/s temporal/es superior/es de la/s jamba/s lateral/es (A) para hacer que la jamba del travesaño superior quede al ras. Usa dos tornillos de montaje temporal para drywall núm. 6x2" (T) para fijar la jamba del travesaño superior, uno en la derecha y otro en la izquierda. Verifica nuevamente que las jambas laterales estén a plomo y niveladas y ajusta si es necesario.

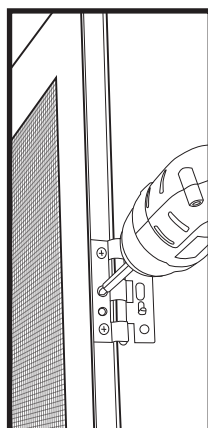
Estos tornillos se usan para sujetar temporalmente la jamba en su sitio. **NO instales tornillos permanentes.**



## 7 Fija las bisagras en las puertas



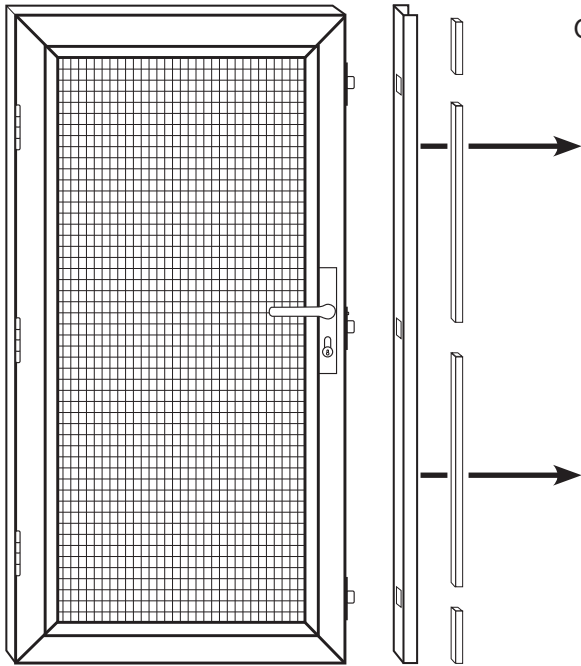
**Nota:** El orificio receptor del punto de anti inclinación se alinea con el orificio pretaladrado en la puerta.



Coloca la bisagra (C) sobre los orificios pretaladrados en la puerta. La parte plana de la bisagra se fija a la puerta. La parte de la bisagra con los cilindros deben quedar siempre fuera de la puerta. Usa los tornillos incluidos con las bisagras y fija las 3 bisagras en la puerta.

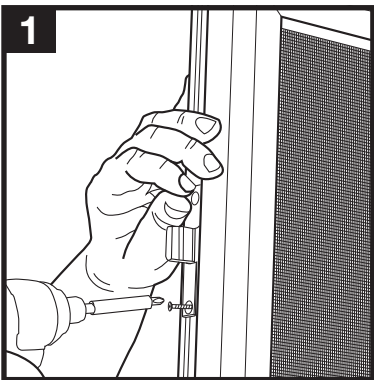
**PRECAUCIÓN:** NO coloques la puerta activa sobre su lado descansando sobre los cerrojos de la cerradura de 3 puntos. Esto provocará que el sistema se altere y necesitarás quitar y reconfigurar el sistema de cierre (ver el paso 17).

## 8 Quita los protectores

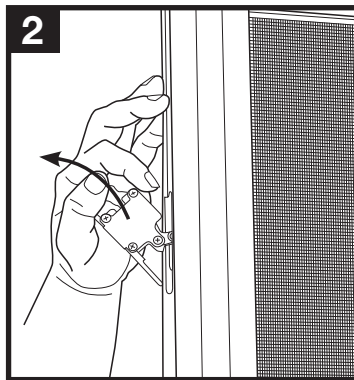


Quita la cinta y desecha los protectores (G).

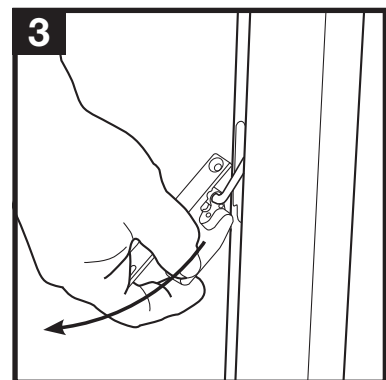
## 9 Prepara la puerta inactiva



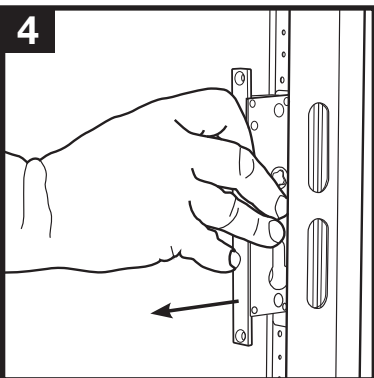
1 Quita los tornillos de montaje en las tres cerraduras de la puerta inactiva.



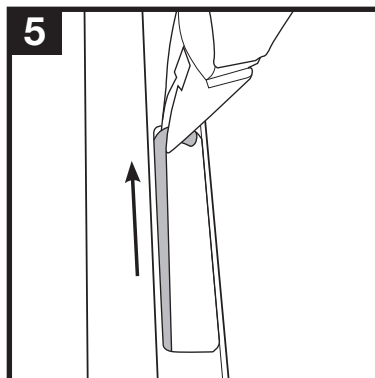
2 Levanta la cerradura superior y sácala del borde de la puerta y desconecta la varilla enganchada a la parte posterior del ensamblaje del pestillo.



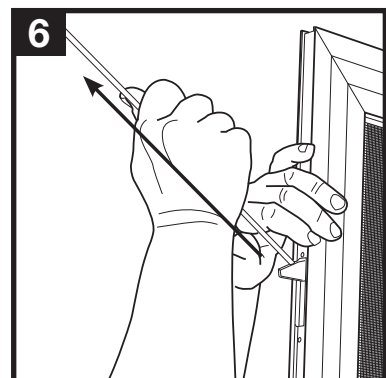
3 Hala la cerradura inferior hacia abajo y afuera.



4 Quita los dos tornillos en el mecanismo de mortaja y en la cerradura central y hala el ensamblaje hasta sacarlo.

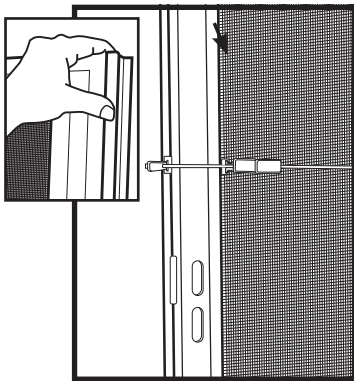


5 Con alicates de punta de aguja, agarra el ensamblaje de la varilla a través del mecanismo de mortaja en la abertura de la cerradura central.

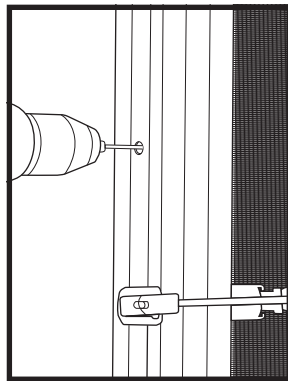


6 Agarra el ensamblaje de la varilla a través de la abertura de la cerradura superior y hala todo el ensamblaje hacia afuera.

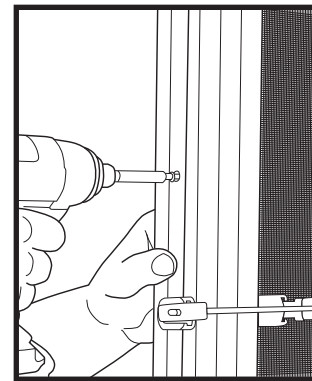
## 10 Instala el astrágalo en la puerta inactiva



Coloca el astrágalo (**J**) en la puerta inactiva de forma tal que el borde superior esté nivelado con el borde superior del panel de la puerta. Fíjalo en su lugar.

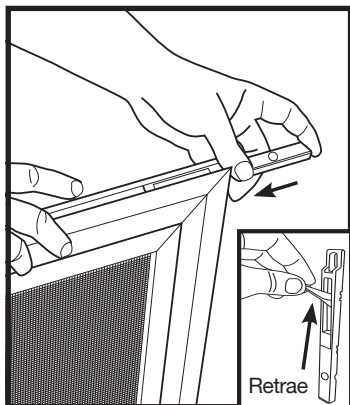


Pretaladra orificios de montaje en el panel de la puerta inactiva a través de los cuatro orificios de montaje en el astrágalo (**J**) con una broca de 3/32".

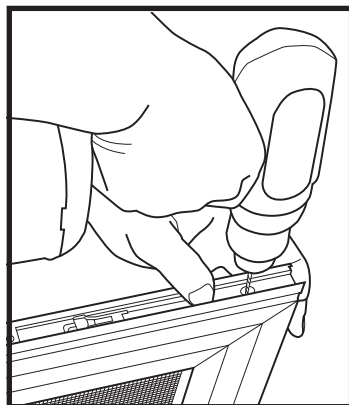


Fija el astrágalo (**J**) a la puerta inactiva con tornillos de cabeza plana núm. 10x1" (**V**).

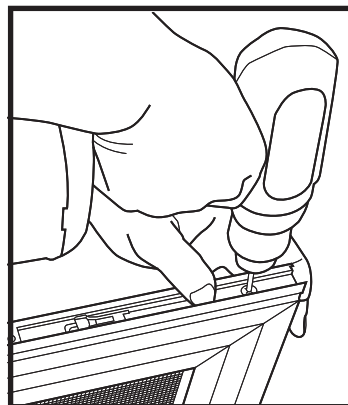
## 11 Instala el pestillo con resorte superior en el astrágalo



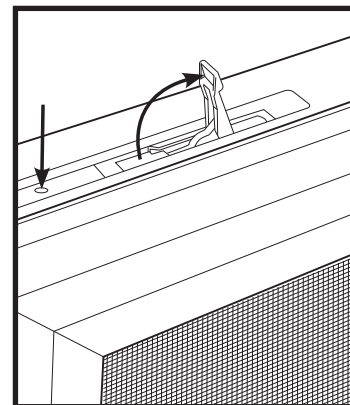
Retrae el pestillo con resorte (**P**) con la palanca indicada por el punto rojo. Con el panel de la puerta descansando sobre el lado de las bisagras, desliza el pestillo con resorte en la parte superior del astrágalo de forma tal que esté al ras con el borde superior del astrágalo (**J**).



Usando el orificio de montaje en el pestillo con resorte (**P**) como guía, pretaladra el orificio de montaje superior expuesto en el astrágalo (**J**) con una broca de 7/64".

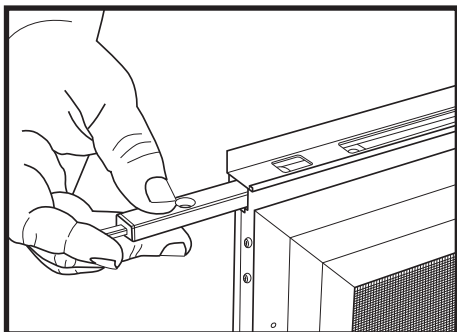


Instala el tornillo superior (tornillo de cabeza plana núm. 8x1" (**U**)).

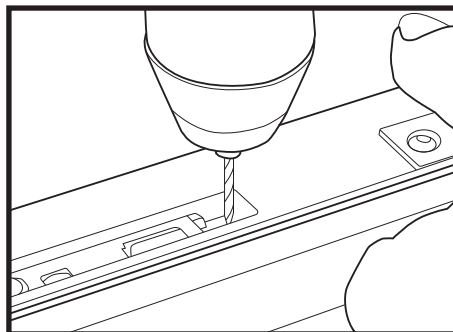


Despliega la palanca del pestillo con resorte para exponer el orificio de montaje inferior. Usa una broca de 7/64" para pretaldrar el orificio de montaje inferior. Termina de fijar el pestillo con resorte (**P**) al astrágalo (**J**) con un tornillo de cabeza plana núm. 8x1" (**U**).

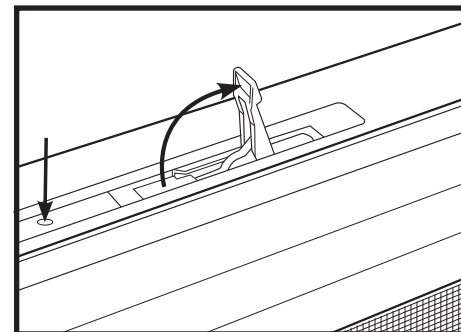
## 12 Instala el pestillo con resorte inferior en el astrágalo



Desliza el pestillo con resorte (**P**) dentro del astrágalo (**J**) en la parte inferior de la puerta inactiva. Retrae el pestillo con resorte halando la palanca; coloca el pestillo con resorte al ras con la parte inferior del astrágalo.



Usando el orificio de montaje en el pestillo con resorte (**P**) como guía, pretaladra un orificio de montaje en el borde de la puerta con una broca de 7/64". Fíjalo con un tornillo de cabeza plana núm. 8x1" (**U**).



Despliega la palanca del pestillo con resorte para exponer el orificio de montaje inferior. Usa una broca de 7/64" para pretaldrar el orificio de montaje inferior. Termina de fijar el pestillo con resorte (**P**) al astrágalo (**J**) con un tornillo de cabeza plana núm. 8x1" (**U**).

## 13 Cuelga los paneles de la puerta

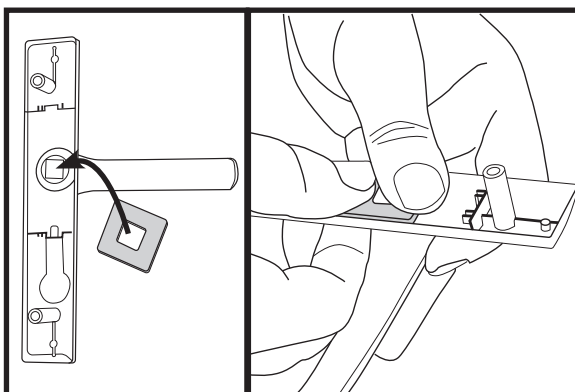


Haz que otra persona te ayude a sostener la puerta en su lugar. Es importante que la puerta permanezca alineada adecuadamente para que el primer tornillo de montaje en cada bisagra penetre recto en el panel de la puerta. El uso de bloques o soportes similares puede ayudar a mantener la puerta debidamente alineada. Fija las 3 bisagras de cada puerta al marco con dos tornillos de cabeza plana núm. 8x1" (U) en cada bisagra.

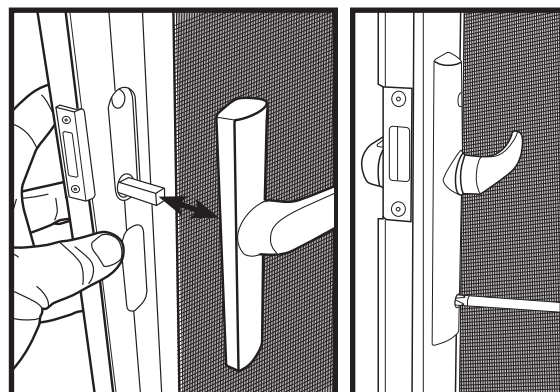
## 14 Instala la manija decorativa de la puerta inactiva



Asegúrate de orientar las manijas en la dirección deseada, dependiendo de la ubicación de la puerta inactiva, a la derecha o a la izquierda.



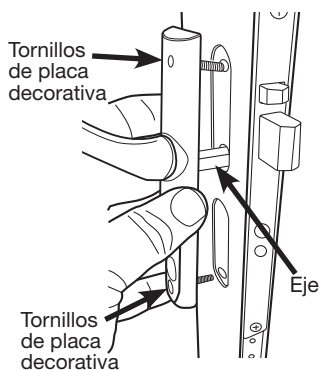
Instala el bloque de la manija decorativa (O) en la parte posterior de cada manija decorativa (N). Golpea el bloque hasta que quede en su lugar de forma tal que esté al ras con la placa decorativa.



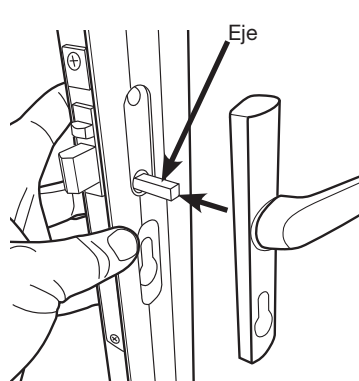
Inserta la manija decorativa (N) con eje a través del interior de la puerta activa hasta dentro de la manija decorativa del lado opuesto. Fija las manijas con dos pernos de rosca fina de 1" incluidos con el juego de manijas. Deja cada tornillo medio giro flojo. Se apretarán en el paso 15.

## 15 Instala la manija y la cerradura de la puerta activa

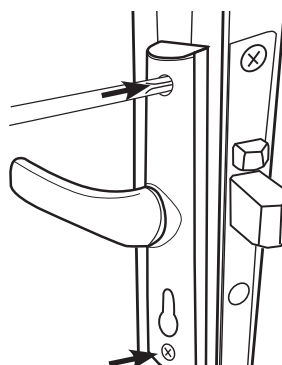
1) Comienza desde la parte **interior** de la puerta. Con la manija (O) de frente a la malla, inserta el eje y los tornillos de montaje a través del mecanismo de mortaja en el panel de la puerta.



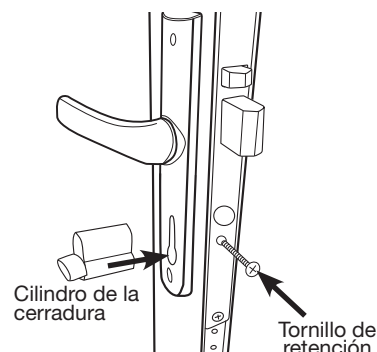
2) Muévelo hacia el exterior de la puerta activa. Con la manija de frente a las bisagras del panel de la puerta activa, alinea las aberturas en el interior de la otra manija (D) con el eje y los dos tornillos de montaje, y coloca la manija contra el marco de la puerta.



3) While holding both handle trim plates in place, tighten the mounting screws and then back off 2 turns. These screws will be tightened after the lock cylinder is installed.



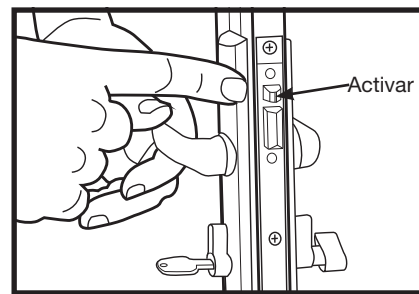
4) From the inside of the door, insert the lock cylinder (E) into the door through the trim plate. Using a Phillips-head screw driver, tighten the retainer screw until snug. Do **NOT** over-tighten. Tighten the two handle mounting screws until snug.



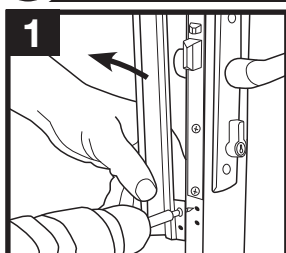
## 16 Comprueba el mecanismo de cierre

Con la puerta abierta, retrae el mecanismo de cierre de tres puntos usando la llave o el cerrojo manual. Mantén la puerta **ABIERTA** y comprueba el mecanismo oprimiendo el seguro del sistema de cierre de tres puntos y luego desplegando los pestillos con la llave o el cerrojo manual. Si los pestillos no salen, el sistema se ha desnivelado y debe reconfigurarse manualmente.

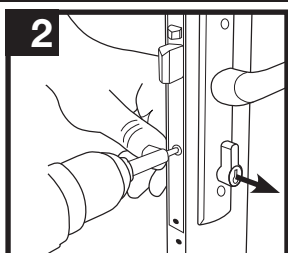
Si la prueba es exitosa, instala las tapas de los tornillos incluidas con las manijas de la puerta en los lados interiores y exteriores de las manijas de la puerta. Si no es así, continúa al paso 17 antes de colocar las tapas de tornillos.



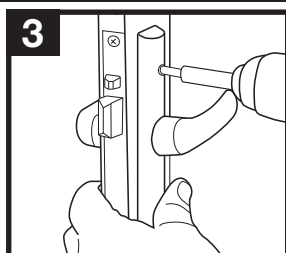
## 17 Reconfigura el mecanismo de cierre SI FUERA NECESARIO



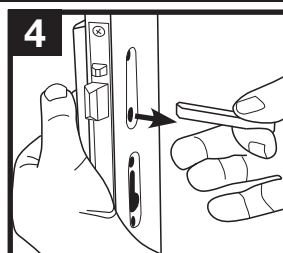
1 Quita el protector del pestillo, si está instalado (4 tornillos de montaje, 2 superiores, 2 inferiores, en el borde del marco de la puerta).



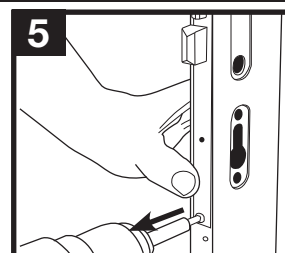
2 Quita el cilindro retirando el tornillo de fijación a través del borde del panel de la puerta y halando el cilindro hacia afuera de la puerta.



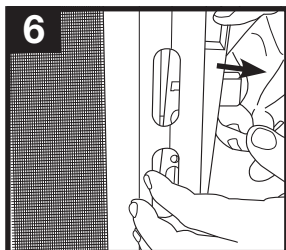
3 Quita las placas decorativas de la manija (2 tornillos de montaje) - sostén las manijas para que no caigan al suelo.



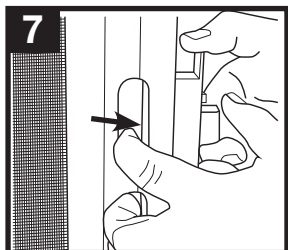
4 Quita la manija y el eje.



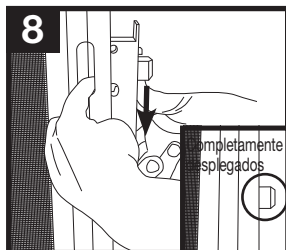
5 Quita los dos tornillos de montaje de la cerradura de mortaja en el borde de la puerta.



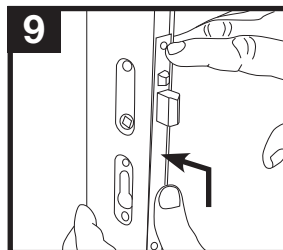
6 Agarra el cerrojo principal con una mano y hala la cerradura de mortaja hacia afuera del borde de la puerta.



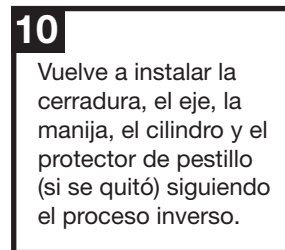
7 Coloca la otra mano DETRÁS del conector de acoplamiento plástico negro y mantén la presión sobre él para que permanezca conectado a la cerradura de mortaja mientras la halas hasta que esté casi fuera de la puerta.



8 Con una mano aún haciendo presión sobre el conector para que permanezca unido a la cerradura, usa la otra mano para mover la cerradura hacia abajo. Escucha hasta que haga clic, entonces los cerrojos superior e inferior de la cerradura se desplegarán completamente.



9 Asegurándote de que el conector de acoplamiento permanezca conectado a la parte posterior de la cerradura, levanta y desliza la cerradura de vuelta al panel de la puerta.

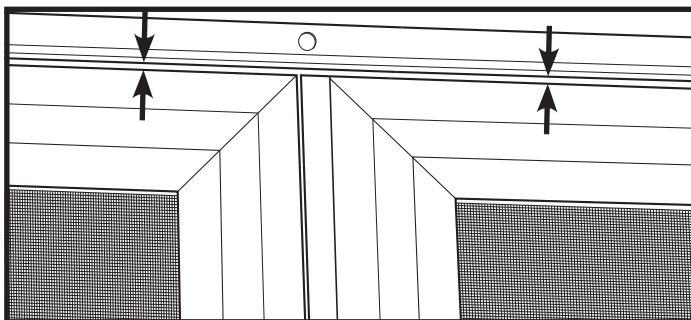


10 Vuelve a instalar la cerradura, el eje, la manija, el cilindro y el protector de pestillo (si se quitó) siguiendo el proceso inverso.

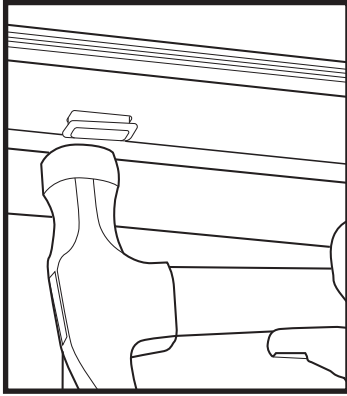
## 18 Ajusta y alinea el espacio de reborde superior

Cierra ambas puertas, la activa y la inactiva. Ambas puertas deben alinearse en la parte superior con un espacio de reborde nivelado. Si no se requiere ajustar, afloja (**SIN** quitar) los tornillos temporales superiores de las jambas laterales. Usa un mazo de goma para dar unos golpes en la jamba lateral izquierda o derecha para alinear las puertas.

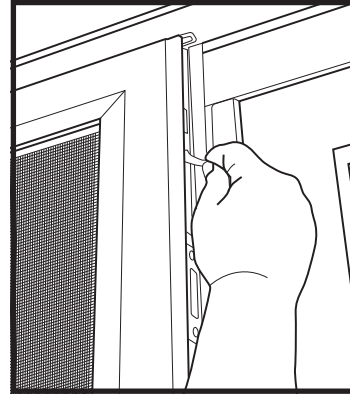
Vuelve a ajustar los tornillos temporales.



## 19 Instala el receptor del pestillo con resorte superior



Instala el receptor (**Q**) del pestillo con resorte superior dentro de la jamba del travesaño superior (**H**). Con un martillo o mazo de goma, golpea suavemente el receptor del pestillo con resorte para introducirlo en el orificio cortado previamente en la jamba del travesaño superior hasta que esté al ras.

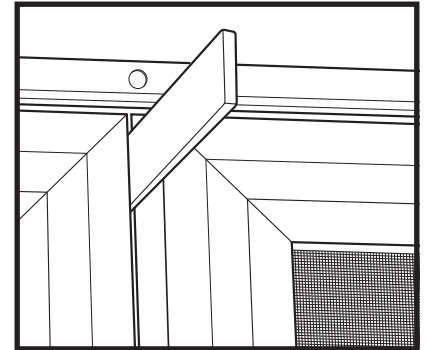


Cierra la puerta inactiva y despliega el pestillo con resorte (**P**) para comprobar que ajuste bien.

## 20 Ajusta y alinea el espacio de reborde central

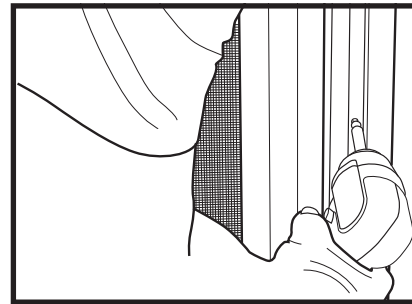
Cierra ambas puertas (**B**), la activa y la inactiva. Ambas puertas deben alinearse en la parte inferior central con un espacio de reborde nivelado de 3.2 mm. Si no se requiere ajustar, afloja (**SIN** quitar) los tornillos de montaje temporales de la jamba correspondientes. Usa un mazo de goma para dar unos golpes en la jamba lateral izquierda o derecha (**A**) para alinear las puertas y para que el espacio de reborde esté nivelado. Consejo: Coloca una cuña entre las puertas para mantener el espacio de reborde mientras haces los ajustes. Vuelve a ajustar los tornillos temporales mientras haces los ajustes.

**Verifica nuevamente que esté a plomo.** Si es necesario, afloja un poco los tornillos temporales y coloca una o varias cuñas entre el marco de la puerta de seguridad y la casa. Vuelve a ajustar los tornillos temporales.

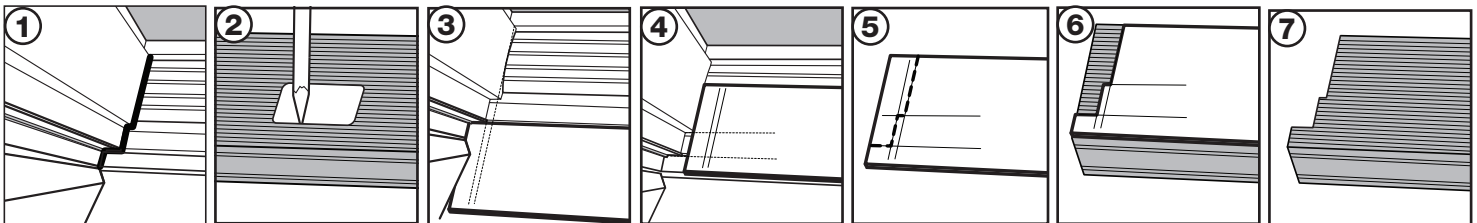


## 21 Instala los tornillos de montaje permanentes

Pretaladra a través de los orificios de montaje sin tornillos temporales con una broca de 3/32". Instala tornillos permanentes (tornillos de cabeza plana autorroscantes núm. 10x3 1/2" (**F**)) dentro de los orificios de montaje. Quita los tornillos temporales uno a uno, y reemplázalos por los tornillos permanentes (tornillos de cabeza plana autorroscantes núm. 10x3 1/2" (**F**)).



## 22 Instala la placa del umbral



Contorno de la puerta actual    Marca el orificio central    Hacer las plantillas de cartón    Ajustar la plantilla al contorno    Recortar la plantilla por el contorno    Marca la placa de umbral    Corta la placa de umbral a la medida

- 1 El contorno de los marcos de las puertas varía, por lo tanto es necesario recortar el umbral (**L**) a la medida. Recomendamos recortar primero una plantilla de cartón a la medida de la abertura para evitar recortar el umbral incorrectamente.
- 2 Coloca la plantilla del umbral (**X**) debajo de la placa del umbral al ras en ambos extremos. Marca el rectángulo pre-perforado en el centro y recorta el orificio.
- 3 Coloca la plantilla de cartón incluida (**X**) arriba de la barra inferior y presiona para encajarla en el umbral actual hasta donde sea posible. Alinea el orificio en el centro de la plantilla con la parte superior del pestillo con resorte y encéntrala. Con un borde recto, marca en la plantilla los diferentes anchos de la moldura y contramarco existentes en ambos extremos.

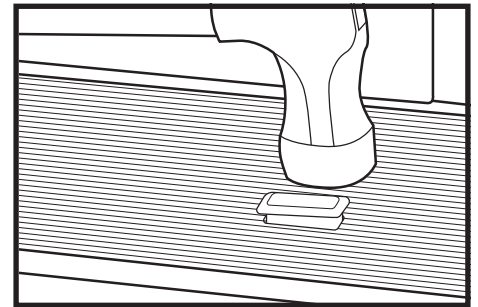
## 22 Instala la placa del umbral (continuó)

- 4 Mueve la plantilla hasta que el borde frontal esté al ras con el borde frontal de la barra inferior (se puede doblar la plantilla para ajustar al ancho más corto entre la moldura y el contramarco). Marca en las esquinas de tu moldura existente teniendo en cuenta que el receptor **(Q)** del pestillo con resorte esté en el centro de la abertura por lo que la plantilla debe estar alineada adecuadamente, luego recorta.
- 5 Con un cuchillo para cartón, recorta la plantilla siguiendo el contorno y las marcas de las molduras y contramarcos. Prueba si la plantilla encaja correctamente. (Debe quedar apoyada sobre la barra inferior con el borde frontal al ras con el de la barra inferior y ajustada a las esquinas de las molduras y contramarco existentes).
- 6 Después de crear una plantilla apropiada, úsala para marcar la placa de umbral.
- 7 Con tijeras de hojalatero/tijeras de aviación, corta la placa de umbral según la forma de la plantilla **(6)**. Coloca la placa de umbral extendida a lo largo de la barra inferior y dentro del umbral existente. Usa una broca de 1/8" para pre-taladrar los orificios de los tornillos de montaje. Fija la placa de umbral al umbral existente con los tornillos incluidos.

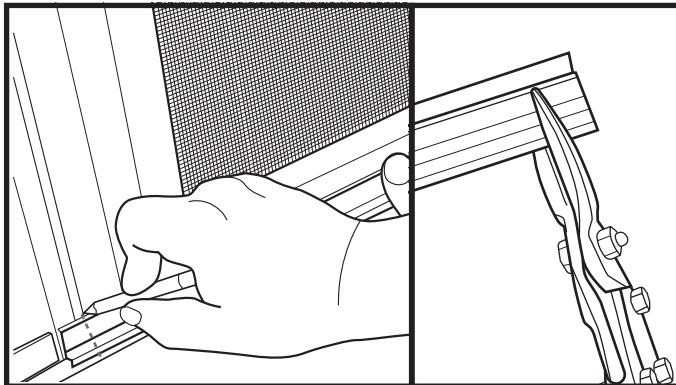
## 23 Instala el receptor del pestillo con resorte inferior

Instala el receptor **(Q)** del pestillo con resorte inferior dentro del umbral **(L)**. Con un martillo o mazo de goma, golpea suavemente el receptor del pestillo con resorte para introducirlo en el orificio cortado previamente en el umbral hasta que esté al ras.

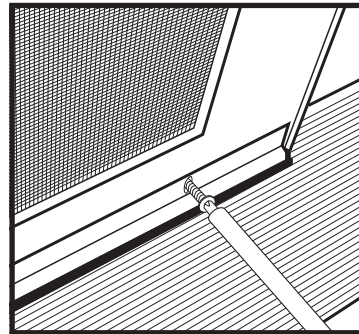
Cierra la puerta inactiva y despliega el pestillo con resorte **(P)** para comprobar que ajuste bien.



## 24 Instala los guardapolvos inferiores contra insectos



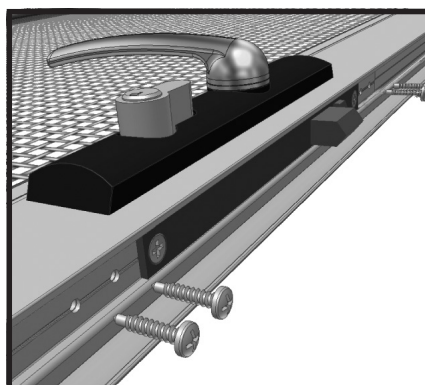
Con ambas puertas cerradas, coloca un guardapolvos inferior contra insectos **(M)** en la parte inferior de la puerta activa contra la jamba del lado de las bisagras. Marca donde la puerta activa se encuentra con el borde del astrágalo instalado en la puerta inactiva y recorta usando tijeras para hojalata.



Coloca el guardapolvo inferior contra insectos **(M)** contra la puerta activa y ajusta hacia arriba o hacia abajo hasta que la parte inferior del guardapolvo descansa sobre el umbral. Fijar el error de barrido con los tornillos suministrados. Repite el proceso, sin recortar, para el guardapolvo de la puerta inactiva. Fija los guardapolvos inferiores contra insectos con tornillos blancos de cabeza plana biselada núm. 6x5/8" **(S)**.

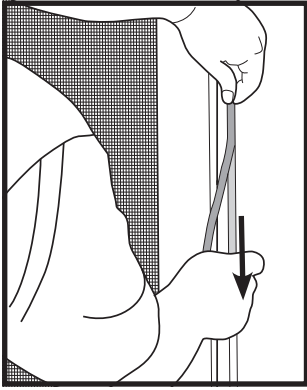
## 25 Instala el protector del pestillo

Sostén o fija el protector del pestillo en su lugar, nivelado con la parte superior de la puerta activa y alineado con los orificios de montaje pretaladrados en el panel de la puerta **(B)**. Con una broca de 3/32", pretaladra orificios en el panel de la puerta a través de los orificios de montaje en el protector del pestillo; fíjalos con seis tornillos de cabeza plana biselada núm. 6x5/8" **(S)**.





## 26 Instala el burlete del astrágalo



Instala el burlete (R) a la longitud máxima de la pata de tope del astrágalo (J) (donde la puerta activa se cierra contra el astrágalo). Comienza en la parte superior, quita aproximadamente 15.2 cm del respaldo protector de una vez y adhiérela al astrágalo. Con cuidado y despacio, continúa hacia abajo hasta cubrir la longitud total de la puerta. Recorta en la parte inferior si es necesario.

## 27 Instala las cubiertas a presión

Coloca la cubierta a presión (A1) en la primera jamba del lado de las bisagras (Fig. 4, paso 1). Con un mazo de goma, golpea en el lado de la cubierta a presión como se muestra en la (Fig. 5) para colocar adecuadamente la cubierta a presión en su sitio. Una vez que la cubierta a presión esté asegurada, coloca un bloque de madera sobre el largo de la cubierta a presión y golpea con el mazo para emparejar cualquier irregularidad de la superficie de la cubierta a presión.

Repite el proceso para las segundas cubiertas a presión (A1) de la jamba del lado de las bisagras y del travesaño superior (H1).

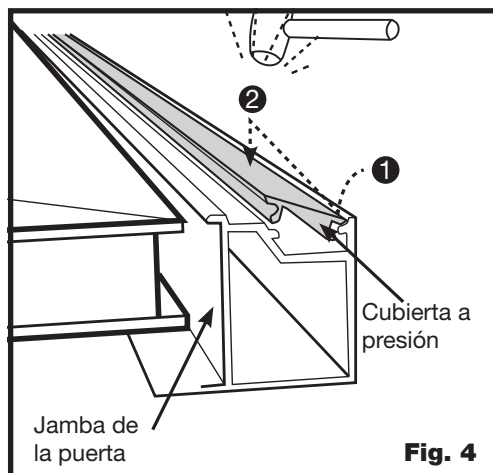


Fig. 4

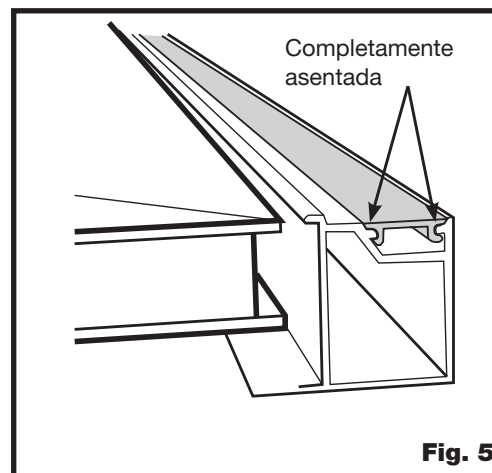
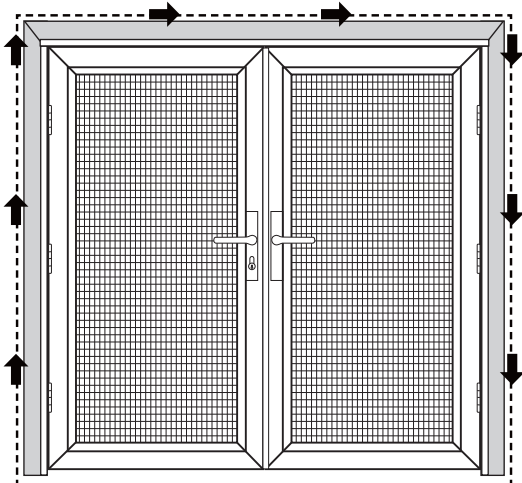


Fig. 5

## Sugerencias de retoques finales



**① Pasta selladora (no se incluye)**  
 Aplica pasta selladora para pintar en el exterior del marco de la jamba de la puerta de seguridad y pinta del color deseado.

**② Lubricante de grasa blanca (no se incluye)**  
 Cada seis meses, lubrica con grasa blanca las bisagras de la puerta de seguridad nueva.

## Cuidado y mantenimiento

Con el transcurso del tiempo, en la malla pueden acumularse suciedad, impurezas y polvo proveniente del aire, lo que provocará defectos visibles en la malla Meshtec si no se elimina adecuadamente de manera regular, y puede causar más daños, manchas y corrosión. Tu programa de limpieza depende de tu ambiente:

AMBIENTE	DESCRIPCIÓN	PROGRAMA DE LIMPIEZA
Suave	Tierra adentro, rural, y lejos de la actividad urbana e industrial	cada 6 meses
Moderado	Urbano, suburbano, tierra adentro, y lejos de la industria pesada	cada 3 meses
Extremo	Urbano/suburbano, costero (dentro de 25 millas), o cerca de la industria pesada	cada 2 a 4 semanas

Lava bien la malla y el marco de la puerta con un paño suave, un jabón suave y agua. No expongas las manijas, la cerradura principal y las cerraduras de 3 puntos a cantidades excesivas de agua. Al concluir, elimina el exceso de agua con un paño seco y suave. Presta particular atención al secado del área de unión entre la malla y el marco. Evita usar objetos afilados o materiales abrasivos en el marco de la puerta o en la malla. Utilizar grasa blanca para lubricar las bisagras en cada limpieza.

## Garantía

Se garantiza que su puerta de seguridad con sistema avanzado de malla Meshtec de Unique Home Designs no presentará defectos de fabricación bajo condiciones de uso normal y residencial durante los primeros 10 años en que usted sea propietario de este producto, y concluye si usted vende o transfiere el producto o la propiedad en la cual se instaló. Se otorga una garantía de protección adicional por 5 años (para un total de 15 años de garantía) cuando el producto se registra por internet en [uniquehd.com/registration](http://uniquehd.com/registration). El guardapolvo contra insectos, el burlete y los materiales compuestos, y hardware incluidos con o instalados en la puerta de seguridad están cubiertos durante un año a partir de la fecha de compra. Los accesorios ajustados a la puerta de seguridad no están cubiertos por esta garantía, incluyendo, pero no limitado a, las cerraduras, manijas, ruedas y brazos de cierre. Estos accesorios pueden estar cubiertos por garantías suministradas por el fabricante o el proveedor de los productos. La garantía no cubre ningún problema causado por abuso, uso inapropiado, causas de fuerza mayor, instalación indebida, por no seguir las instrucciones de mantenimiento y cuidado, o por ajustes debido al asentamiento de la estructura en la que está instalado el producto. Cortar piezas no especificadas por la guía de instalación o las piezas con fallas de perforación no están incluidas en esta garantía. Si aparecen defectos de fabricación, Unique Home Designs, a discreción, reparará o reemplazará la puerta. Si, mientras está garantía está vigente, roban en su hogar mediante entrada forzosa y logran entrar a través de una puerta de seguridad de UHD, cerrada con el sistema de cierre de 3 puntos, UHD le pagará hasta \$1000 de deducible de su seguro o reemplazará, según sea el caso, la puerta de seguridad de UHD dañada sin costo alguno. El estilo de los repuestos puede variar debido a cambios de proveedores y productos. No todos los colores pueden estar disponibles si se han descontinuado. UHD no se responsabiliza por cualquier costo de mano de obra que se necesite para reparar o reemplazar la puerta. UHD no se responsabiliza por asegurar la propiedad mientras los artículos bajo la garantía estén siendo reparados o reemplazados.

Para efectuar una reclamación bajo esta garantía, envíe por escrito una descripción breve del problema, una foto de la reclamación, comprobante de compra y su información de contacto a: Unique Home Designs, 973 N. Colorado Street, Gilbert AZ. 85233 Atención: Reclamaciones de garantía

“Meshtec” es la marca registrada de Meshtec International Co., Ltd. (‘MTC’) en los Estados Unidos y varias jurisdicciones en todo el mundo (incluyendo inscripciones pendientes) y no puede usarse sin el consentimiento previo por escrito de MTC.

## ¡Alarga tu garantía!

Cuando te registras por internet en [uniquehd.com/registration](http://uniquehd.com/registration)