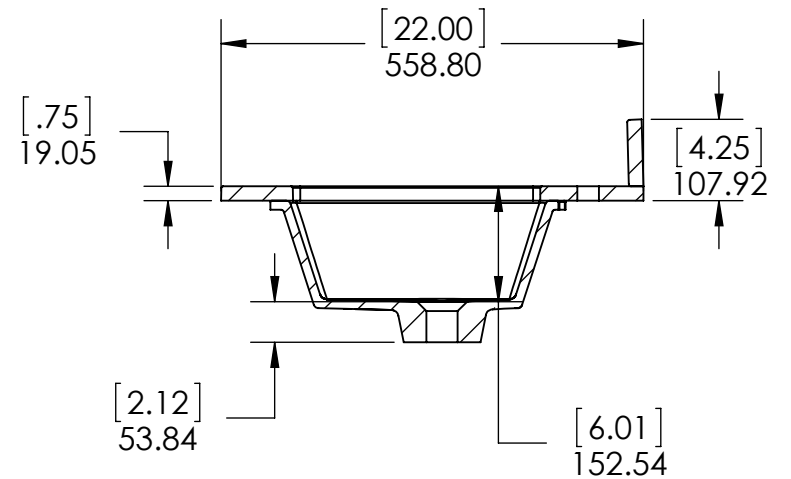
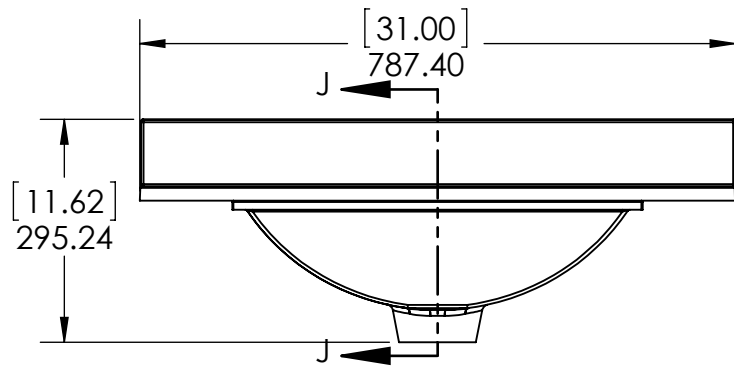
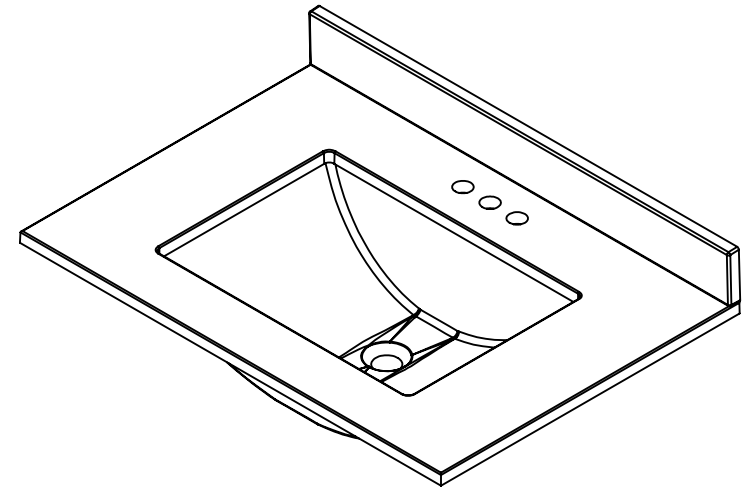
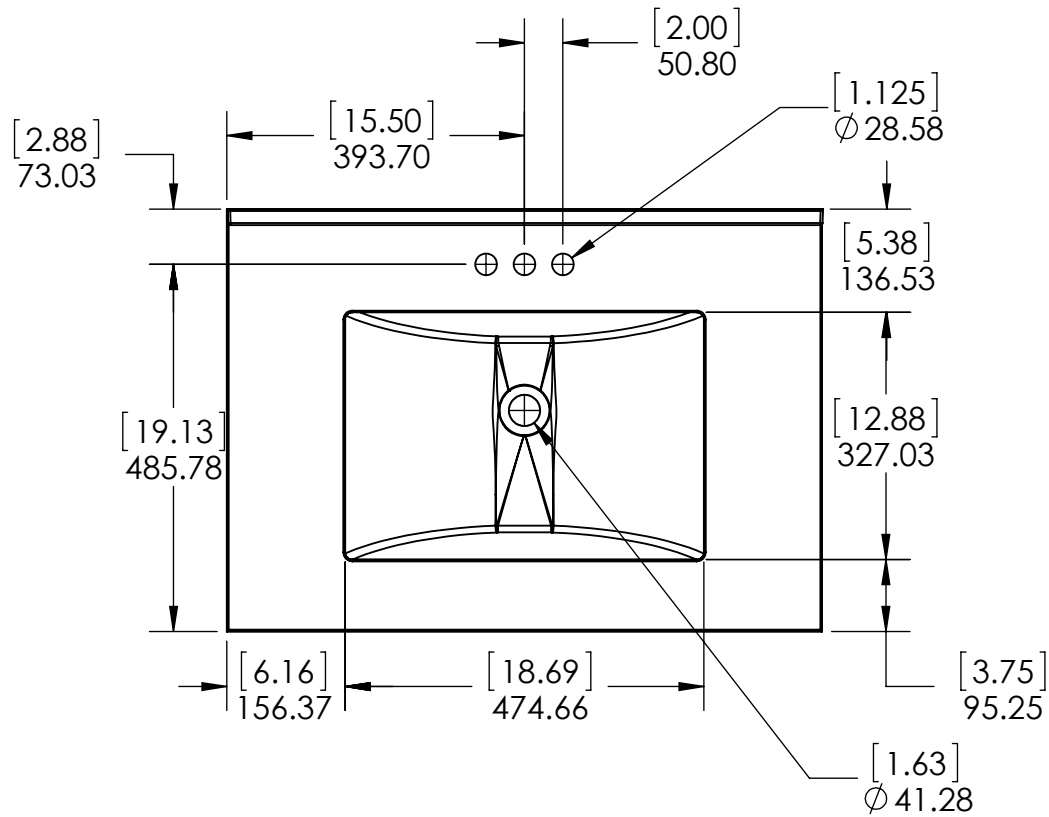


| Rev # | Approved by | Change   |
|-------|-------------|----------|
| 0     | R. Rubio    | Released |
|       |             |          |
|       |             |          |



**PROPRIETARY AND CONFIDENTIAL**  
 THE INFORMATION CONTAINED IN THIS DRAWING IS THE SOLE PROPERTY OF WOODCRAFTERS. ANY REPRODUCTION IN PART OR AS A WHOLE WITHOUT THE WRITTEN PERMISSION OF WOODCRAFTERS IS PROHIBITED.

UNLESS OTHERWISE SPECIFIED  
 DIMENSIONS ARE IN MM. AND (INCHES)  
 TOLERANCES ARE  
 +0.125 [3.175] -0.125 [-3.175]  
 SCALE:1:10

|           | NAME     | DATE     |
|-----------|----------|----------|
| DRAWN     | R. Rubio | 08/22/16 |
| CHECKED   | R. Rubio | 08/22/16 |
| ENG APPR. | R. Rubio | 08/22/16 |
| MFG APPR. | C. Leal  | 08/22/16 |

**Wood Crafters**  
 Vtop Stone Effect, Rect 31x22  
 SIZE DWG. NO. A  
 SHEET 1 OF 2  
 REV. 0

| ID       | Description   | Technology   | Status                  |
|----------|---|--------------|-------------------------|
| SER31-AV | 31 in. Stone Effects Vanity Top in Avalon with White Basin      | Stone Effect | Approved for production |
| SER31-CO | 31 in. Stone Effects Vanity Top in Cold Fusion with White Basin | Stone Effect | Approved for production |
| SER31-DN | 31 in. Stone Effects Vanity Top in Dune with White Basin        | Stone Effect | Approved for production |
| SER31-MI | 31 in. Stone Effects Vanity Top in Mayan Ivory with White Basin | Stone Effect | Approved for production |
| SER31-RU | 31 in. Stone Effects Vanity Top in Rustic Gold with White Basin | Stone Effect | Approved for production |
| SER31-SN | 31 in. Stone Effects Vanity Top in SandShell with White Basin   | Stone Effect | Approved for production |
| SER31-WM | 31 in. Stone Effects Vanity Top in Winter Mist with White Basin | Stone Effect | Approved for production |

| Rev # | Approved by | Change   |
|-------|-------------|----------|
| 0     | R. Rubio    | Released |
|       |             |          |

**PROPRIETARY AND CONFIDENTIAL**  
 THE INFORMATION CONTAINED IN THIS DRAWING IS THE SOLE PROPERTY OF WOODCRAFTERS. ANY REPRODUCTION IN PART OR AS A WHOLE WITHOUT THE WRITTEN PERMISSION OF WOODCRAFTERS IS PROHIBITED.

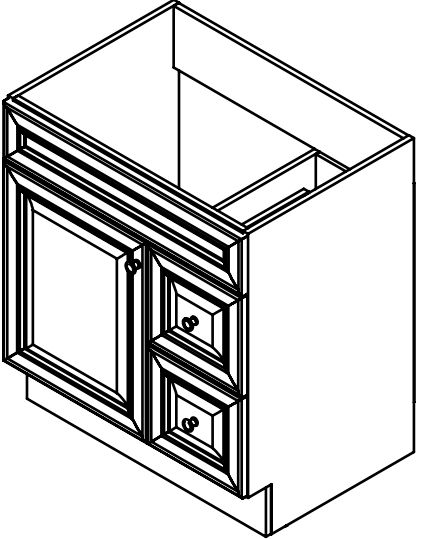
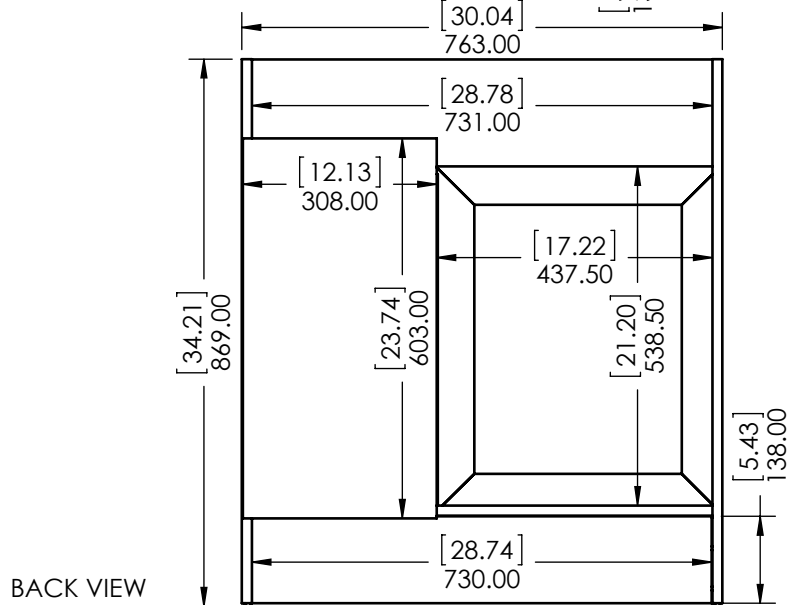
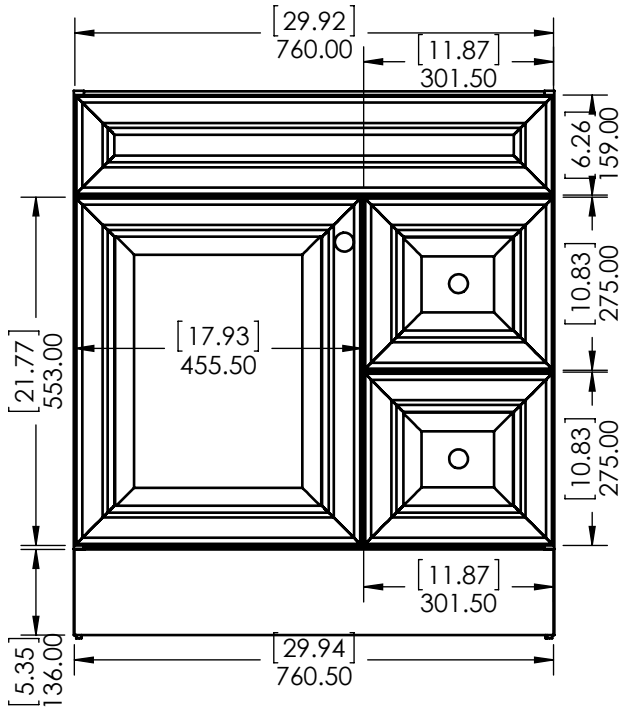
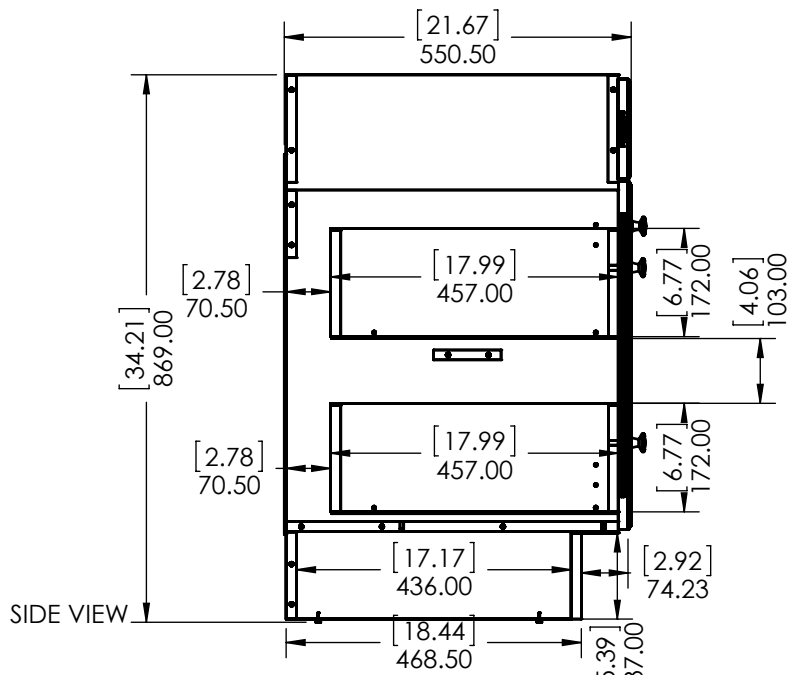
UNLESS OTHERWISE SPECIFIED  
 DIMENSIONS ARE IN MM. AND [INCHES]  
 TOLERANCES ARE  
 + 0.125 [3.175] - 0.125 [-3.175]  
 SCALE:1:10

|           | NAME     | DATE     |
|-----------|----------|----------|
| DRAWN     | R. Rubio | 08/22/16 |
| CHECKED   | R. Rubio | 08/22/16 |
| ENG APPR. | R. Rubio | 08/22/16 |
| MFG APPR. | C. Leal  | 08/22/16 |

|   |  |      |                               |              |
|---|--|------|-------------------------------|--------------|
|  |  | SIZE | DWG. NO.                      | SHEET 2 OF 2 |
|   |  | A    | Vtop Stone Effect, Rect 31x22 | REV: 0       |

| ITEM ID   | DESCRIPTION                                    |
|-----------|--|
| GF3021-WH | Glensford 30in x 21in D Vanity in White        |
| GF3021-BT | Glensford 30in x 21in D Vanity in Butterscotch |

| REV | ECO# | DESCRIPTION | REV'D BY DATE | CHK'D BY DATE | APRVD BY DATE |
|-----|------|-------------|---------------|---------------|---------------|
| 0   |      | New Release | IASV 5/1/17   | IASV 5/1/17   | IASV 5/1/17   |



**PROPRIETARY AND CONFIDENTIAL**  
 THE INFORMATION CONTAINED IN THIS DRAWING IS THE SOLE PROPERTY OF WOODCRAFTERS HOME PRODUCTS L.L.C. ANY REPRODUCTION IN PART OR AS A WHOLE WITHOUT THE WRITTEN PERMISSION OF WOODCRAFTERS HOME PRODUCTS L.L.C. IS PROHIBITED.

UNLESS OTHERWISE SPECIFIED  
 DIMENSIONS ARE IN mm and [inches]  
 AND TOLERANCES ARE +/- 1.0 [0.04]

|                      |             |         |
|----------------------|-------------|---------|
| DRAWN BY:            | IASV        | 5/1/17  |
| CHECKED BY:          | IASV        | 5/1/17  |
| APPROVED BY:         | IASV        | 5/1/17  |
| DO NOT SCALE DRAWING | SCALE: 1:10 | SIZE: A |

|          |                               |        |
|----------|-------------------------------|--------|
| TITLE:   | <b>GLENSFORD 30" ASSEMBLY</b> |        |
| PART NO: | PAGE 1 OF 1                   | REV: 0 |