



**OPERATOR'S MANUAL
MANUEL de L'UTILISATEUR
MANUAL del OPERADOR**

**Cat. No.
No de cat.**

**Cat. No.
6520-21
6523-21
6536-21
6538-21**



**HEAVY-DUTY ORBITAL SAWZALLS®
ROBUSTE PASSE-PARTOUT ORBITAL SAWZALL®
SAWZALL® ORBITAL PARA TAREAS PESADAS**

TO REDUCE THE RISK OF INJURY, USER MUST READ AND UNDERSTAND OPERATOR'S MANUAL.

AFIN DE RÉDUIRE LE RISQUE DE BLESSURES, L'UTILISATEUR DOIT LIRE ET BIEN COMPRENDRE LE MANUEL DE L'UTILISATEUR.

PARA REDUCIR EL RIESGO DE LESIONES, EL USUARIO DEBE LEER Y ENTENDER EL MANUAL DEL OPERADOR.

GENERAL SAFETY RULES — FOR ALL POWER TOOLS



WARNING

READ ALL INSTRUCTIONS

Failure to follow all instructions listed below may result in electric shock, fire and/or serious injury. The term "power tool" in all of the warnings listed below refers to your mains-operated (corded) power tool or battery-operated (cordless) power tool.

SAVE THESE INSTRUCTIONS

WORK AREA SAFETY

1. **Keep work area clean and well lit.** Cluttered or dark areas invite accidents.
2. **Do not operate power tools in explosive atmospheres, such as in the presence of flammable liquids, gases, or dust.** Power tools create sparks which may ignite the dust or fumes.
3. **Keep children and bystanders away while operating a power tool.** Distractions can cause you to lose control.

ELECTRICAL SAFETY

4. **Power tool plugs must match the outlet. Never modify the plug in any way. Do not use any adapter plugs with earthed (grounded) power tools.** Unmodified plugs and matching outlets will reduce risk of electric shock.
5. **Avoid body contact with earthed or grounded surfaces such as pipes, radiators, ranges and refrigerators.** There is an increased risk of electric shock if your body is earthed or grounded.
6. **Do not expose power tools to rain or wet conditions.** Water entering a power tool will increase the risk of electric shock.
7. **Do not abuse the cord. Never use the cord for carrying, pulling, or unplugging the power tool. Keep cord away from heat, oil, sharp edges, or moving parts.** Damaged or entangled cords increase the risk of electric shock.
8. **When operating a power tool outdoors, use an extension cord suitable for outdoor use.** Use of a cord suitable for outdoor use reduces the risk of electric shock.

PERSONAL SAFETY

9. **Stay alert, watch what you are doing and use common sense when operating a power tool. Do not use a power tool while you are tired or under the influence of drugs, alcohol or medication.** A moment of inattention while operating power tools may result in serious personal injury.
10. **Use safety equipment. Always wear eye protection.** Safety equipment such as dust mask, non-skid safety shoes, hard hat, or hearing protection used for appropriate conditions will reduce personal injuries.
11. **Avoid accidental starting. Ensure the switch is in the off-position before plugging in.** Carrying tools with your finger on the switch or plugging in power tools that have the switch on invites accidents.
12. **Remove any adjusting key or wrench before turning the power tool on.** A wrench or a key left attached to a rotating part of the power tool may result in personal injury.
13. **Do not overreach. Keep proper footing and balance at all times.** This enables better control of the power tool in unexpected situations.
14. **Dress properly. Do not wear loose clothing or jewellery. Keep your hair, clothing and gloves away from moving parts.** Loose clothes, jewellery, or long hair can be caught in moving parts.
15. **If devices are provided for the connection of dust extraction and collection facilities, ensure these are connected and properly used.** Use of these devices can reduce dust-related hazards.

POWER TOOL USE AND CARE

16. **Do not force the power tool. Use the correct power tool for your application.** The correct power tool will do the job better and safer at the rate for which it was designed.
17. **Do not use the power tool if the switch does not turn it on and off.** Any power tool that cannot be controlled with the switch is dangerous and must be repaired.
18. **Disconnect the plug from the power source and/or the battery pack from the power tool before making any adjustments, changing accessories, or storing power tools.** Such preventive safety measures reduce the risk of starting the tool accidentally.
19. **Store idle power tools out of the reach of children and do not allow persons unfamiliar with the power tools or these instructions to operate power tools.** Power tools are dangerous in the hands of untrained users.
20. **Maintain power tools. Check for misalignment or binding of moving parts, breakage of parts and any other condition that may affect the power tool's operation. If damaged, have the power tool repaired before use.** Many accidents are caused by poorly maintained power tools.
21. **Keep cutting tools sharp and clean.** Properly maintained cutting tools with sharp cutting edges are less likely to bind and are easier to control.
22. **Use the power tool, accessories and tool bits etc., in accordance with these instructions and in the manner intended for the particular type of power tool, taking into account the working conditions and the work to be performed.** Use of the power tool for operations different from those intended could result in a hazardous situation.

SERVICE

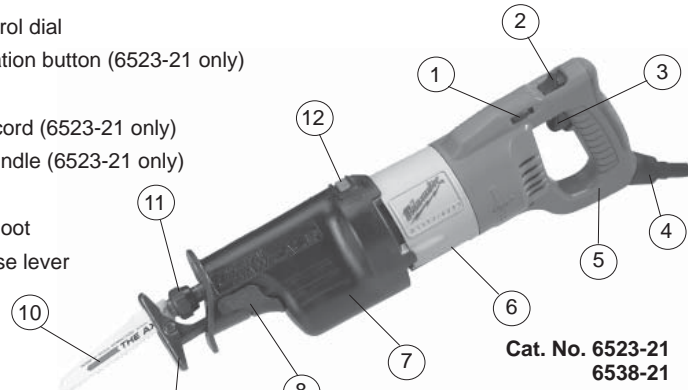
23. **Have your power tool serviced by a qualified repair person using only identical replacement parts.** This will ensure that the safety of the power tool is maintained.

SPECIFIC SAFETY RULES

1. **Hold tools by insulated gripping surfaces when performing an operation where the cutting tool may contact hidden wiring or its own cord.** Contact with a "live" wire will make exposed metal parts of the tool "live" and shock the operator.
2. **Use clamps or another practical way to secure and support the workpiece to a stable platform.** Holding the work by hand or against your body leaves it unstable and may lead to loss of control.
3. **Keep hands away from all cutting edges and moving parts.**
4. **Maintain labels and nameplates.** These carry important information. If unreadable or missing, contact a MILWAUKEE service facility for a free replacement.
5. **WARNING:** Some dust created by power sanding, sawing, grinding, drilling, and other construction activities contains chemicals known to cause cancer, birth defects or other reproductive harm. Some examples of these chemicals are:
 - lead from lead-based paint
 - crystalline silica from bricks and cement and other masonry products, and
 - arsenic and chromium from chemically-treated lumber.Your risk from these exposures varies, depending on how often you do this type of work. To reduce your exposure to these chemicals: work in a well ventilated area, and work with approved safety equipment, such as those dust masks that are specially designed to filter out microscopic particles.

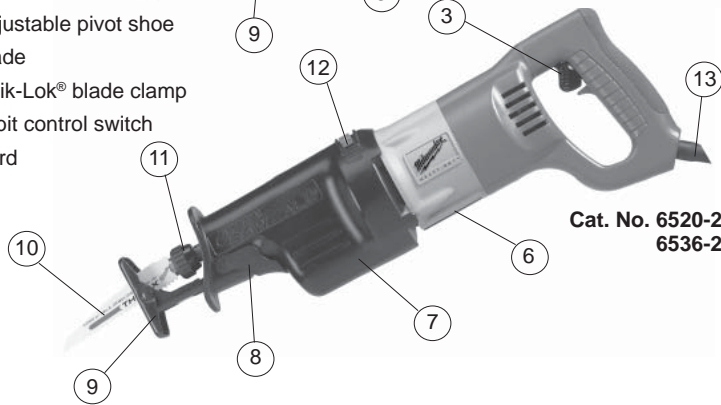
FUNCTIONAL DESCRIPTION

1. Speed control dial
2. Handle rotation button (6523-21 only)
3. Trigger
4. Quik-Lok® cord (6523-21 only)
5. Rotating handle (6523-21 only)
6. Nameplate
7. Insulating boot
8. Shoe release lever



Cat. No. 6523-21
6538-21

9. Adjustable pivot shoe
10. Blade
11. Quik-Lok® blade clamp
12. Orbit control switch
13. Cord



Cat. No. 6520-21
6536-21

Symbology

	Double Insulated
	Underwriters Laboratories, Inc., United States and Canada
	Volts Alternating Current
	No Load Strokes Per Minute (SPM)
	Amps
	Straight Cut
	Orbital Cut

Specifications

Cat. No.	Volts AC Only	Amps	Length of Stroke	Strokes per Minute
6520-21	120	12	1-1/8"	0 - 2800
6523-21	120	13	1-1/4"	0 - 3000
6536-21	120	13	1-1/4"	0 - 3000
6538-21	120	15	1-1/4"	0 - 2800

GROUNDING



WARNING

Improperly connecting the grounding wire can result in the risk of electric shock. Check with a qualified electrician if you are in doubt as to whether the outlet is properly grounded. Do not modify the plug provided with the tool. Never remove the grounding prong from the plug. Do not use the tool if the cord or plug is damaged. If damaged, have it repaired by a MILWAUKEE service facility before use. If the plug will not fit the outlet, have a proper outlet installed by a qualified electrician.

Grounded Tools: Tools with Three Prong Plugs

Tools marked "Grounding Required" have a three wire cord and three prong grounding plug. The plug must be connected to a properly grounded outlet (See Figure A). If the tool should electrically malfunction or break down, grounding provides a low resistance path to carry electricity away from the user, reducing the risk of electric shock.

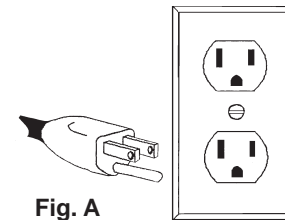


Fig. A

The grounding prong in the plug is connected through the green wire inside the cord to the grounding system in the tool. The green wire in the cord must be the only wire connected to the tool's grounding system and must never be attached to an electrically "live" terminal.

Your tool must be plugged into an appropriate outlet, properly installed and grounded in accordance with all codes and ordinances. The plug and outlet should look like those in Figure A.

Double Insulated Tools: Tools with Two Prong Plugs

Tools marked "Double Insulated" do not require grounding. They have a special double insulation system which satisfies OSHA requirements and complies with the applicable standards of Underwriters Laboratories, Inc., the Canadian Standard Association and the National Electrical Code. Double Insulated tools may be used in either of the 120 volt outlets shown in Figures B and C.

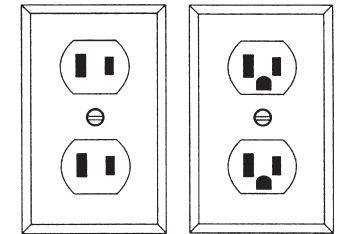


Fig. B

Fig. C

EXTENSION CORDS

Grounded tools require a three wire extension cord. Double insulated tools can use either a two or three wire extension cord. As the distance from the supply outlet increases, you must use a heavier gauge extension cord. Using extension cords with inadequately sized wire causes a serious drop in voltage, resulting in loss of power and possible tool damage. Refer to the table shown to determine the required minimum wire size.

The smaller the gauge number of the wire, the greater the capacity of the cord. For example, a 14 gauge cord can carry a higher current than a 16 gauge cord. When using more than one extension cord to make up the total length, be sure each cord contains at least the minimum wire size required. If you are using one extension cord for more than one tool, add the nameplate amperes and use the sum to determine the required minimum wire size.

Guidelines for Using Extension Cords

- If you are using an extension cord outdoors, be sure it is marked with the suffix "W-A" ("W" in Canada) to indicate that it is acceptable for outdoor use.
- Be sure your extension cord is properly wired and in good electrical condition. Always replace a damaged extension cord or have it repaired by a qualified person before using it.
- Protect your extension cords from sharp objects, excessive heat and damp or wet areas.

Recommended Minimum Wire Gauge for Extension Cords*

Nameplate Amperes	Extension Cord Length				
	25'	50'	75'	100'	150'
0 - 2.0	18	18	18	18	16
2.1 - 3.4	18	18	18	16	14
3.5 - 5.0	18	18	16	14	12
5.1 - 7.0	18	16	14	12	12
7.1 - 12.0	16	14	12	10	
12.1 - 16.0	14	12	10		
16.1 - 20.0	12	10			

* Based on limiting the line voltage drop to five volts at 150% of the rated amperes.

READ AND SAVE ALL INSTRUCTIONS FOR FUTURE USE.

TOOL ASSEMBLY



WARNING

To reduce the risk of injury, always unplug tool before attaching or removing accessories or making adjustments. Use only specifically recommended accessories. Others may be hazardous.

Removing and Replacing Quik-Lok® Cords (Cat. No. 6523-21)

MILWAUKEE's exclusive Quik-Lok® Cords provide instant field replacement or substitution.

Fig. 1



1. To remove the Quik-Lok® Cord, turn the cord nut 1/4 turn to the left and pull it out.
2. To replace the Quik-Lok® Cord, align the connector keyways and push the connector in as far as it will go. Turn the cord nut 1/4 turn to the right to lock.

Selecting a Blade

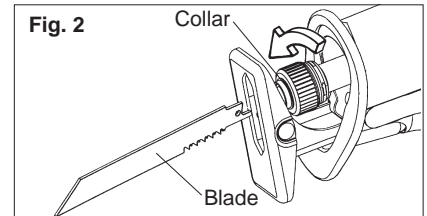
Use MILWAUKEE Sawzall® Blades for best performance. When selecting a blade, choose the right type and length.

Many types of blades are available for a variety of applications: cutting metal, wood, nail-embedded wood, scroll cutting, roughing-in, and contours.

Many lengths are also available. Choose a length long enough to extend beyond the shoe and your work throughout the stroke. **Do not use blades less than 3-1/2" long since they won't extend beyond the shoe throughout the stroke.**

For best performance and longest life, see "Accessories" to select the best blade for the job.

Quik-Lok® Blade Clamp



Unplug the tool before changing blades. Be sure the spindle and blade clamp areas are clean. Metal chips and sawdust may prevent the Quik-Lok® Blade Clamp from clamping securely.

1. Depending on the job, the blade may be inserted with the teeth facing up or down. To install a blade, twist collar in the direction of the arrow while inserting the blade into the clamp until the tang butts against the collar.
2. Release collar and the spring loaded mechanism will clamp the blade firmly in place.
3. Twist collar in the opposite direction of the arrow to ensure that the blade is locked into the clamp.
4. Tug on blade to make sure it is securely locked in place.
5. To remove a blade, twist collar in the direction of the arrow while pulling on the blade. Be careful when handling hot blades.

Quik-Lok® Blade Clamp Maintenance

- Periodically clean dust and debris from the Quik-Lok® Blade Clamp with dry compressed air.
- If the collar resists twisting, twist it back and forth to shake debris loose.
- Periodically lubricate Quik-Lok® Blade Clamp with dry lubricant such as graphite.

Removing broken blades from the Quik-Lok® Blade Clamp

Unplug the tool before removing blades. Broken blades can be removed by the following methods.

- Point the tool downward, twist the collar, and shake the tool up and down (do not turn the tool on while your fingers are holding the blade clamp open). The shank of the broken blade should drop out of the clamp.
- If shaking the tool doesn't work:
In most cases, a corner of the broken blade will extend beyond the blade clamp. Simply twist the collar and pull the broken blade out of the clamp by this corner.
- If the broken stub doesn't extend far enough to be grabbed by its corner, use a thin blade with small teeth (such as a metal cutting blade) to hook the blade that is jammed in the clamp while twisting the collar and pull it out.

OPERATION

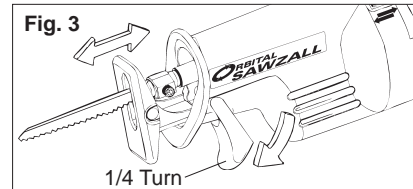


WARNING

To reduce the risk of injury, wear safety goggles or glasses with side shields.

Adjustable Pivot Shoe

The shoe can be adjusted forward or backward to six positions to take advantage of the unused portion of the blade or for special jobs requiring low blade clearance.



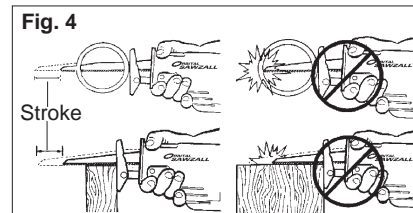
1. To adjust the shoe, pull the shoe release lever down 1/4 turn and slide the shoe forward or backward to the desired position.
2. To lock the shoe in position, push the shoe release lever up.
3. After adjusting the shoe, slowly pull the trigger to be sure the blade always extends beyond the shoe and your work throughout the stroke.

DO NOT OPERATE SAWZALL WITHOUT SHOE. STRIKING THE SPINDLE AGAINST WORK MAY DAMAGE THE RECIPROCATING MECHANISM.



WARNING

To reduce the risk of injury, be sure the blade always extends beyond the shoe and work throughout the stroke. Blades may shatter if they impact the work or shoe (Fig. 4).



Impact Protection System

All models are equipped with a unique patented gearing system that provides efficient power transmission and extended life in the most difficult cutting applications. This durable system will absorb impacts, blade lock ups, and motor stalls. These models can be used for extreme cutting applications such as large diameter pipe, thick metal, pallets, and heavy demolition and renovation work as well as for general purpose cutting.



WARNING

Do not operate the Sawzall with the handle rotation button pressed in or with the handle not locked into position.

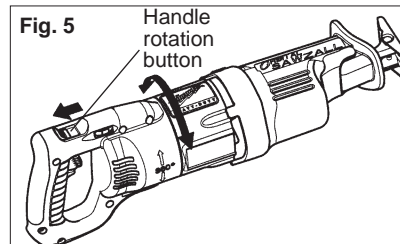
Rotating the Handle (Cat. No. 6523-21)

The 6523-21 Orbital Sawzall® handle can rotate continuously in either direction, allowing the user to achieve optimal cutting positions and comfort. The handle can be locked into one of eight (8) detent positions, one at every 45° angle.

To rotate the handle:

1. Unplug the tool.
2. Press in the handle rotation button.
3. Rotate the handle to the desired position.
4. Release the handle rotation button. This will lock the handle firmly into position.

NOTE: Make sure the handle does not rotate before using the tool.



WARNING

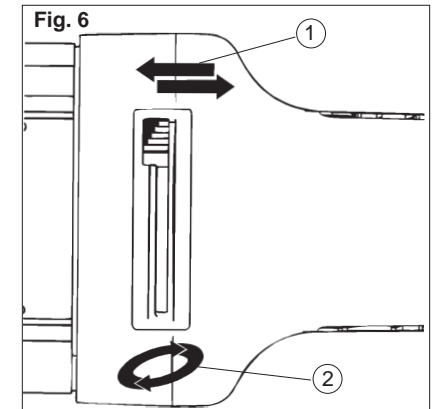
If the handle can not be locked into position, do not operate the Sawzall®. Return the Sawzall® to a Milwaukee service facility immediately for repair.

Starting, Stopping and Controlling Speed

1. To **start** the tool, grasp the handle firmly and pull the trigger.
2. To **stop** the tool, release the trigger. Allow the tool to come to a complete stop before removing the blade from a partial cut or laying the tool down.

Orbit Control Switch

The Orbital Sawzall® is equipped with an orbit control switch. The tool may be operated with straight reciprocating (non orbital) or orbital action. Straight reciprocating action should be used when a smooth cut is needed. Orbital action is recommended for fast, aggressive cutting. The optimal orbital action should be determined by the user for their specific cutting requirements.



1. For straight reciprocating action, move the orbit control switch to the straight cut symbol (1).
2. For orbital action, move the orbit control switch towards the orbital cut symbol (2).

The amount of orbital action may be adjusted by moving the orbit control switch to any position between the two symbols. For larger orbital action, move the orbit control switch closer to the orbital cut symbol (2). For smaller orbital action, move the orbit control switch closer to the straight cut symbol (1).

Orbital action may be adjusted when the tool is running.

NOTE: Orbital action will not operate if the blade is installed upside down.

Selecting the Speed Range

The speed control dial controls the maximum strokes per minute. The speed will remain variable to the chosen dial setting by use of the trigger switch. Refer to the chart for recommended dial settings.

MATERIAL	SUGGESTED DIAL SETTINGS*
Mild Steel	2-3
Wood	5
Nail-Embedded Wood	5
Stainless Steel	1-3
Drywall	4-5
Fiberglass	1-3
Plastics	1-3
Cast Iron	2-3
Non-Ferrous Metals	2-3

* These are only suggested settings; the actual optimal setting may vary depending on line voltage, blade selected and user preference.

Trigger Speed Control Switch

These Sawzalls® are equipped with a trigger speed control switch. It may be operated at any speed from zero strokes per minute to full speed. Always start tool before blade contacts the workpiece. To vary the speed, simply increase or decrease the pressure on the trigger. The further the trigger is pulled, the greater the speed. To stop the tool, release the trigger and allow the tool to stop completely before removing from a partial cut or before laying the tool down.

General Cutting

For straight or contour cutting from an edge, line the blade up with your cutting line. Before the blade contacts the workpiece, grasp the handle firmly and pull the trigger. Then guide the tool along your cutting line. Always hold the shoe flat against the workpiece to avoid excessive vibration.

Cutting Metals

Begin cutting at a slow speed, gradually increasing speed as you cut. When cutting into metals or hard materials that can not be cut from an edge, drill a starting hole larger than the widest part of the blade. Extend blade life by using a solid blade cutting lubricant.



WARNING

To reduce the risk of explosion, electric shock and property damage, always check the work area for hidden gas pipes, electrical wires or water pipes when making blind or plunge cuts.

Plunge Cutting

Your MILWAUKEE Sawzall® is ideal for plunge cutting directly into surfaces that can not be cut from an edge, such as walls or floors. Orbital action is recommended for plunge cutting. Plunge cutting may be done two ways depending on how the blade is inserted. Column A shows how to plunge cut with the teeth of the blade facing down. Column B shows how to plunge cut with the teeth of the blade facing up.

NOTE: Orbital action will not operate if the blade is installed upside down.

Do not plunge cut into metal surfaces (see "Cutting Metals").

1. Insert the blade into the tool.

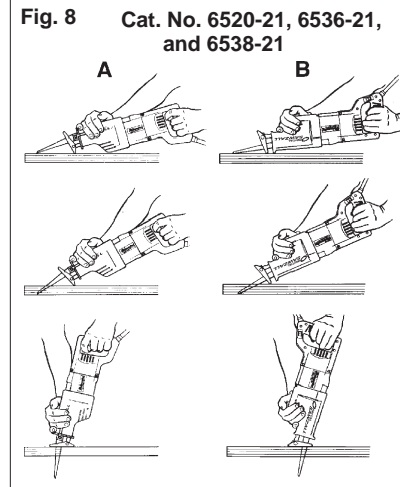
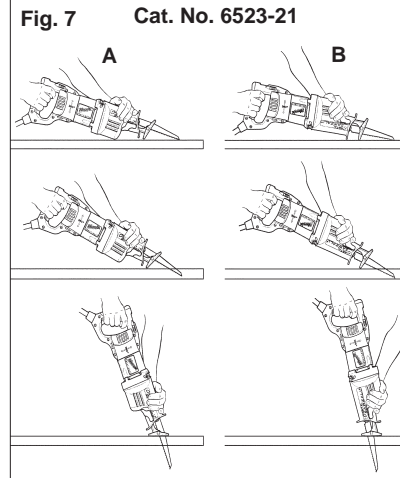
If you inserted the blade with the teeth facing downward, hold the tool as shown in Column A, resting the edge of the shoe on the workpiece.

If you inserted the blade with the teeth facing upward, hold the tool as shown in Column B, resting the edge of the shoe on the workpiece as shown.

2. With the blade just above the workpiece, pull the trigger. Using the edge of the shoe as a pivot, lower the blade into the workpiece as shown.

3. As the blade starts cutting, raise the handle of the tool slowly until the shoe rests firmly on the workpiece. Then guide the tool along your cutting line to acquire the desired cut.

NOTE: To make plunge cutting easier, use a heavy gauge blade and install the blade with the teeth facing upward as shown in Column B.



ACCESSORIES



WARNING

To reduce the risk of injury, always unplug the tool before attaching or removing accessories. Use only specifically recommended accessories. Others may be hazardous.

For a complete listing of accessories refer to your MILWAUKEE Electric Tool catalog or go on-line to www.milwaukeetool.com. To obtain a catalog, contact your local distributor or a service center.

Quik-Lok® Cord Sets

10' Quik-Lok® Cord Cat. No. 48-76-5010
25' Quik-Lok® Cord Cat. No. 48-76-5025

Carrying Case

Cat. No. 48-55-2055

Orbital Pipe Clamp System

Cat. No. 49-22-1016

Keyed Blade Clamp Kit

Cat. No. 49-22-5016

See Pages 38 & 39 for a listing of Sawzall® Blades.

MAINTENANCE



WARNING

To reduce the risk of injury, always unplug your tool before performing any maintenance. Never disassemble the tool or try to do any rewiring on the tool's electrical system. Contact a MILWAUKEE service facility for ALL repairs.

Maintaining Tools

Keep your tool in good repair by adopting a regular maintenance program. Before use, examine the general condition of your tool. Inspect guards, switches, tool cord set and extension cord for damage. Check for loose screws, misalignment, binding of moving parts, improper mounting, broken parts and any other condition that may affect its safe operation. If abnormal noise or vibration occurs, turn the tool off immediately and have the problem corrected before further use. Do not use a damaged tool. Tag damaged tools "DO NOT USE" until repaired (see "Repairs").

Under normal conditions, relubrication is not necessary until the motor brushes need to be replaced. After six months to one year, depending on use, return your tool to the nearest MILWAUKEE service facility for the following:

- Lubrication
- Brush inspection and replacement
- Mechanical inspection and cleaning (gears, spindles, bearings, housing, etc.)
- Electrical inspection (switch, cord, armature, etc.)
- Testing to assure proper mechanical and electrical operation



WARNING

To reduce the risk of injury, electric shock and damage to the tool, never immerse your tool in liquid or allow a liquid to flow inside the tool.

Cleaning

Clean dust and debris from vents. Keep the tool handles clean, dry and free of oil or grease. Use only mild soap and a damp cloth to clean your tool since certain cleaning agents and solvents are harmful to plastics and other insulated parts. Some of these include: gasoline, turpentine, lacquer thinner, paint thinner, chlorinated cleaning solvents, ammonia and household detergents containing ammonia. Never use flammable or combustible solvents around tools.

Repairs

If your tool is damaged, return the entire tool to the nearest service center.

FIVE YEAR TOOL LIMITED WARRANTY

Every MILWAUKEE power tool (including cordless product – tool, battery pack(s) and battery charger and Work Lights – cordless flashlights) is warranted to the original purchaser only to be free from defects in material and workmanship. Subject to certain exceptions, MILWAUKEE will repair or replace any part on an electric power tool which, after examination, is determined by MILWAUKEE to be defective in material or workmanship for a period of five (5) years* after the date of purchase. Return the electric power tool and a copy of proof of purchase to a MILWAUKEE factory Service Center location or MILWAUKEE Authorized Service Station, freight prepaid and insured. This warranty does not apply to damage that MILWAUKEE determines to be from repairs made or attempted by anyone other than MILWAUKEE authorized personnel, misuse, alterations, abuse, normal wear and tear, lack of maintenance, or accidents.

*Every MILWAUKEE V™-technology (V18™ & V28™) LITHIUM-ION Battery Pack and M18 XC LITHIUM-ION Battery Pack is warranted for five (5) years / 2000 charges from the date of purchase, whichever first occurs. The first 1000 charges or 2 years of the warranty, whichever first occurs, are covered through free replacement of the defective battery. This means that for the earlier of the first 1000 charges or two (2) years from the date of purchase/first charge, a replacement battery will be provided to the customer for any defective battery free of charge. Thereafter, the remaining charges up to a total of 2000 or the remainder of the five (5) year period from the date of purchase, whichever first occurs, will be covered on a pro rata basis. This means that every customer gets an additional 1000 charges or three (3) years of pro rata warranty on the V™-technology LITHIUM-ION Battery Pack and M18 XC LITHIUM-ION Battery Pack depending upon the amount of use.

*The warranty period for ALL other LITHIUM-ION Battery Packs is two (2) years from the date of purchase.

*The warranty period for M12 2-Beam Laser & M12 Power Port, Ni-CD Battery Packs, Job Site Radios, and Trade Titan™ Industrial Work Carts is one (1) year from the date of purchase.

Warranty Registration is not necessary to obtain the applicable warranty on a MILWAUKEE product. The manufacturing date of the product will be used to determine the warranty period if no proof of purchase is provided at the time warranty service is requested.

ACCEPTANCE OF THE EXCLUSIVE REPAIR AND REPLACEMENT REMEDIES DESCRIBED HEREIN IS A CONDITION OF THE CONTRACT FOR THE PURCHASE OF EVERY MILWAUKEE PRODUCT. IF YOU DO NOT AGREE TO THIS CONDITION, YOU SHOULD NOT PURCHASE THE PRODUCT. IN NO EVENT SHALL MILWAUKEE BE LIABLE FOR ANY INCIDENTAL, SPECIAL, CONSEQUENTIAL OR PUNITIVE DAMAGES, OR FOR ANY COSTS, ATTORNEY FEES, EXPENSES, LOSSES OR DELAYS ALLEGED TO BE AS A CONSEQUENCE OF ANY DAMAGE TO, FAILURE OF, OR DEFECT IN ANY PRODUCT INCLUDING, BUT NOT LIMITED TO, ANY CLAIMS FOR LOSS OF PROFITS. THIS WARRANTY IS EXCLUSIVE AND IN LIEU OF ALL OTHER WARRANTIES OR CONDITIONS, WRITTEN OR ORAL, EXPRESSED OR IMPLIED. WITHOUT LIMITING THE GENERALITY OF THE FOREGOING, MILWAUKEE DISCLAIMS ANY IMPLIED WARRANTY OF MERCHANTABILITY OR FITNESS FOR A PARTICULAR USE OR PURPOSE, AND ALL OTHER WARRANTIES.

This warranty applies to product sold in the U.S.A., Canada and Mexico only.

Please consult the 'Service Center Search' in the Parts & Service section of MILWAUKEE's website www.milwaukeeetool.com or call 1.800.SAWDUST (1.800.729.3878) to locate your nearest service facility for warranty and non-warranty service on a Milwaukee electric power tool.

RÈGLES GÉNÉRALES DE SÉCURITÉ POUR LES OUTILS ÉLECTRIQUE



AVERTISSEMENT

LIRE SOIGNEUSEMENT TOUTES LES INSTRUCTIONS

Le non respect des instructions ci-après peut entraîner des chocs électriques, des incendies et/ou des blessures graves. Le terme « outil électrique » figurant dans les avertissements ci-dessous renvoie à l'outil électrique à alimentation par le réseau (à cordon) ou par batterie (sans fil).

CONSERVER CES INSTRUCTIONS

SÉCURITÉ DU LIEU DE TRAVAIL

1. **Maintenir la zone de travail propre et bien éclairée.** Les zones encombrées ou mal éclairées sont favorables aux accidents.
2. **Ne pas utiliser d'outil électrique dans une atmosphère explosive, telle qu'en en présence de liquides, de gaz ou de poussières inflammables.** Les outils électriques génèrent des étincelles qui peuvent enflammer les poussières ou les fumées.
3. **Tenir les enfants et les personnes non autorisées à l'écart pendant le fonctionnement d'un outil électrique.** Un manque d'attention de l'opérateur risque de lui faire perdre le contrôle de l'outil.

SÉCURITÉ ÉLECTRIQUE

4. **La fiche de l'outil électrique doit correspondre à la prise d'alimentation. Ne jamais modifier la fiche d'une manière quelconque. Ne pas utiliser d'adaptateur avec les outils électriques mis à la terre (à la masse).** Des fiches non modifiées et des prises d'alimentation assorties réduisent le risque de choc électrique.
5. **Éviter tout contact corporel avec des surfaces reliées à la masse ou à la terre telles que tuyaux, radiateurs, cuisinières et réfrigérateurs.** Un risque de choc électrique plus élevé existe si le corps est relié à la masse ou à la terre.
6. **Ne pas exposer les outils électriques à la pluie ou à l'humidité.** Le risque de choc électrique augmente si de l'eau s'infiltré dans un outil électrique.

7. **Prendre soin du cordon. Ne jamais utiliser le cordon pour transporter, tirer ou débrancher l'outil électrique. Tenir le cordon à l'écart de la chaleur, des huiles, des arêtes coupantes ou des pièces en mouvement.** Un cordon endommagé ou emmêlé présente un risque accru de choc électrique.
8. **Se procurer un cordon d'alimentation approprié en cas d'utilisation d'un outil électrique à l'extérieur.** L'utilisation d'un cordon d'alimentation pour usage extérieur réduit le risque de choc électrique.

SÉCURITÉ INDIVIDUELLE

9. **Être sur ses gardes, être attentif et faire preuve de bon sens en utilisant un outil électrique. Ne pas utiliser un outil électrique en cas de fatigue ou sous l'influence de drogues, d'alcool ou de médicaments.** Un instant d'inattention lors de l'utilisation d'un outil électrique peut entraîner des blessures graves.
10. **Utiliser un équipement de sécurité. Toujours porter des lunettes de protection.** Un équipement de sécurité comprenant masque anti-poussière, chaussures de sécurité anti-dérapantes, casque ou dispositif de protection anti-bruit peut, dans les circonstances appropriées, réduire le risque de blessure.
11. **Éviter tout démarrage accidentel de l'outil. S'assurer que le commutateur est en position OFF (Arrêt) avant de brancher l'outil.** Le port de l'outil avec un doigt sur le commutateur ou son branchement avec le commutateur en position ON (Marche) sont favorables aux accidents.

12. **Retirer toute clé de réglage avant de mettre l'outil sous tension.** Une clé laissée attachée sur une pièce mobile de l'outil électrique peut entraîner des blessures.
13. **Ne pas travailler à bout de bras. Bien garder un bon équilibre à tout instant.** Ceci permet de mieux préserver la maîtrise de l'outil électrique dans des situations imprévues.
14. **Porter des vêtements adéquats. Ne pas porter de vêtements amples ni de bijoux. Ne pas approcher les cheveux, vêtements et gants des pièces en mouvement.** Les vêtements amples, les bijoux ou les cheveux longs risquent d'être happés par les pièces en mouvement.
15. **Si des dispositifs sont prévus pour l'extraction et la récupération des poussières, vérifier qu'ils sont connectés et utilisés correctement.** L'utilisation de ces dispositifs peut réduire les risques liés aux poussières.

UTILISATION ET ENTRETIEN DE L'OUTIL ÉLECTRIQUE

16. **Ne pas forcer l'outil électrique. Utiliser l'outil électrique approprié à l'application considérée.** L'outil électrique adapté au projet considéré produira de meilleurs résultats, dans des conditions de sécurité meilleures, à la vitesse pour laquelle il a été conçu.
17. **Ne pas utiliser l'outil électrique si le commutateur ne le met pas sous ou hors tension.** Tout outil électrique dont le commutateur de marche-arrêt est inopérant est dangereux et doit être réparé.
18. **Débrancher la fiche de la prise d'alimentation et/ou la batterie de l'outil électrique avant d'effectuer des réglages, de changer d'accessoires ou de ranger l'outil.** De telles mesures de sécurité préventive réduisent le risque de mettre l'outil en marche accidentellement.
19. **Ranger les outils électriques inutilisés hors de la portée des enfants et ne pas laisser des personnes qui connaissent mal les outils électriques ou ces instructions utiliser ces outils.** Les outils électriques sont dangereux dans les mains d'utilisateurs non formés à leur usage.

20. **Entretien des outils électriques. S'assurer de l'absence de tout désalignement ou de grippage des pièces mobiles, de toute rupture de pièce ou de toute autre condition qui pourrait affecter le bon fonctionnement de l'outil électrique. En cas de dommages, faire réparer l'outil avant de l'utiliser de nouveau.** Les outils électriques mal entretenus sont à la source de nombreux accidents.
21. **Garder les outils de coupe affûtés et propres.** Les outils de coupe correctement entretenus et bien affûtés risquent moins de se gripper et sont plus faciles à manier.
22. **Utiliser cet outil électrique, les accessoires, les mèches, etc. conformément à ces instructions et de la façon prévue pour ce type particulier d'outil électrique, tout en prenant en compte les conditions de travail et le type de projet considérés.** L'utilisation de cet outil électrique pour un usage autre que l'usage prévu peut créer des situations dangereuses.

ENTRETIEN

23. **Faire effectuer l'entretien de l'outil électrique par un technicien qualifié qui n'utilisera que des pièces de rechange identiques.** La sécurité d'utilisation de l'outil en sera préservée.

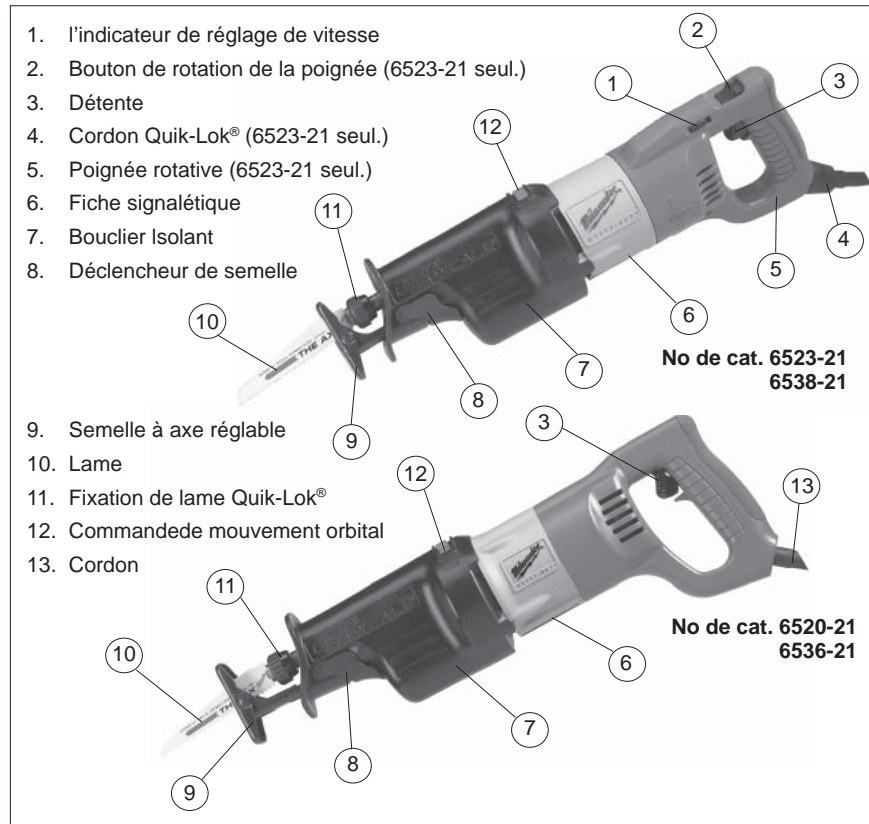
RÈGLES DE SÉCURITÉ PARTICULIÈRE

1. **Tenez l'outil électrique par ses parties isolées lorsqu'il y a risque de contact de l'outil avec des fils sous tension cachés ou même avec son propre cordon.** Le contact d'une partie métallique de l'outil avec un fil « sous tension » comporte un risque de choc électrique.
2. **Tenez les mains à l'écart des arêtes tranchantes et des pièces en mouvement.**
3. **Immobilisez le matériau sur une surface stable au moyen de brides ou de toute autre façon adéquate.** Le fait de tenir la pièce avec la main ou contre votre corps offre une stabilité insuffisante et peut amener un dérapage de l'outil.

4. **Entretenez les étiquettes et marques di fabricant.** Les indications qu'elles contiennent sont précieuses. Si elles deviennent illisibles ou se détachent, faites-les remplacer gratuitement à un centre de service **MILWAUKEE** accrédité.
5. **AVERTISSEMENT:** La poussière dégagée par perçage, sclage, perçage et autres travaux de construction contient des substances chimiques reconnues comme pouvant causer le cancer, des malformations congénitales ou d'autres troubles de reproduction. Voici quelques exemples de telles substances :
- Le plomb contenu dans la peinture au plomb.
 - Le silice cristallin contenu dans la brique, le béton et divers produits de maçonnerie.
 - L'arsenic et le chrome servant au traitement chimique du bois.

Les risques associés à l'exposition à ces substances varient, dépendant de la fréquence des travaux. Afin de minimiser l'exposition à ces substances chimiques, assurez-vous de travailler dans un endroit bien aéré et d'utiliser de l'équipement de sécurité tel un masque antipoussière spécifiquement conçu pour la filtration de particules microscopiques.

DESCRIPTION FONCTIONNELLE



MISE A LA TERRE

AVERTISSEMENT

Si le fil de mise à la terre est incorrectement raccordé, il peut en résulter des risques de choc électrique. Si vous n'êtes pas certain que la prise dont vous vous servez est correctement mise à la terre, faites-la vérifier par un électricien. N'altérez pas la fiche du cordon de l'outil. N'enlevez pas de la fiche, la dent qui sert à la mise à la terre. N'employez pas l'outil si le cordon ou la fiche sont en mauvais état. Si tel est le cas, faites-les réparer dans un centre-service MILWAUKEE accrédité avant de vous en servir. Si la fiche du cordon ne s'adapte pas à la prise, faites remplacer la prise par un électricien.

La dent de mise à la terre de la fiche est reliée au système de mise à la terre de l'outil via le fil vert du cordon. Le fil vert du cordon doit être le seul fil raccordé à un bout au système de mise à la terre de l'outil et son autre extrémité ne doit jamais être raccordée à une borne sous tension électrique.

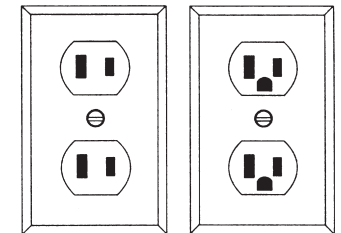
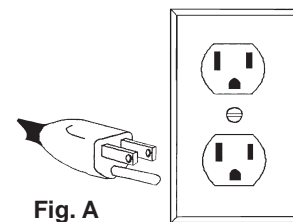
Votre outil doit être branché sur une prise appropriée, correctement installée et mise à la terre conformément aux codes et ordonnances en vigueur. La fiche du cordon et la prise de courant doivent être semblables à celles de la Figure A.

Outils à double isolation : Outils pourvus d'une fiche de cordon à deux dents

Les outils marqués « Double Isolation » n'ont pas besoin d'être raccordés à la terre. Ils sont pourvus d'une double isolation conforme aux exigences de l'OSHA et satisfont aux normes de l'Underwriters Laboratories, Inc., de l'Association canadienne de normalisation (ACNOR) et du « National Electrical Code » (code national de l'électricité). Les outils à double isolation peuvent être branchés sur n'importe laquelle des prises à 120 volt illustrées ci-contre Figure B et C.

Outils mis à la terre : Outils pourvus d'une fiche de cordon à trois dents

Les outils marqués « Mise à la terre requise » sont pourvus d'un cordon à trois fils dont la fiche a trois dents. La fiche du cordon doit être branchée sur une prise correctement mise à la terre (voir Figure A). De cette façon, si une défektivité dans le circuit électrique de l'outil survient, le relais à la terre fournira un conducteur à faible résistance pour décharger le courant et protéger l'utilisateur contre les risques de choc électrique.



Spécifications

No de cat.	Volts CA seul.	Amps	Longueur de course	Cycles par minute
6520-21	120	12	29 mm (1-1/8")	0 - 2 800
6523-21	120	13	32 mm (1-1/4")	0 - 3 000
6536-21	120	13	32 mm (1-1/4")	0 - 3 000
6538-21	120	15	32 mm (1-1/4")	0 - 2 800

CORDONS DE RALLONGE

Si l'emploi d'un cordon de rallonge est nécessaire, un cordon à trois fils doit être employé pour les outils mis à la terre. Pour les outils à double isolation, on peut employer indifféremment un cordon de rallonge à deux ou trois fils. Plus la longueur du cordon entre l'outil et la prise de courant est grande, plus le calibre du cordon doit être élevé. L'utilisation d'un cordon de rallonge incorrectement calibré entraîne une chute de voltage résultant en une perte de puissance qui risque de détériorer l'outil. Reportez-vous au tableau ci-contre pour déterminer le calibre minimum du cordon.

Moins le calibre du fil est élevé, plus sa conductivité est bonne. Par exemple, un cordon de calibre 14 a une meilleure conductivité qu'un cordon de calibre 16. Lorsque vous utilisez plus d'une rallonge pour couvrir la distance, assurez-vous que chaque cordon possède le calibre minimum requis. Si vous utilisez un seul cordon pour brancher plusieurs outils, additionnez le chiffre d'intensité (ampères) inscrit sur la fiche signalétique de chaque outil pour obtenir le calibre minimal requis pour le cordon.

Directives pour l'emploi des cordons de rallonge

- Si vous utilisez une rallonge à l'extérieur, assurez-vous qu'elle est marquée des sigles « W-A » (« W » au Canada) indiquant qu'elle est adéquate pour usage extérieur.
- Assurez-vous que le cordon de rallonge est correctement câblé et en bonne condition. Remplacez tout cordon de rallonge détérioré ou faites-le remettre en état par une personne compétente avant de vous en servir.
- Tenez votre cordon de rallonge à l'écart des objets ranchants, des sources de grande chaleur et des endroits humides ou mouillés.

Calibres minimaux recommandés pour les cordons de rallonge*

Fiche signalétique Ampères	Longueur du cordon de rallonge (m)					
	7,6	15,2	22,8	30,4	45,7	60,9
0 - 5,0	16	16	16	14	12	12
5,1 - 8,0	16	16	14	12	10	--
8,1 - 12,0	14	14	12	10	--	--
12,1 - 15,0	12	12	10	10	--	--
15,1 - 20,0	10	10	10	--	--	--

* Basé sur une chute de voltage limite de 5 volts à 150% de l'intensité moyenne de courant.

LISEZ ATTENTIVEMENT CES INSTRUCTIONS ET CONSERVEZ-LES POUR LES CONSULTER AU BESOIN.

Pictographie

	Double Isolation
	Underwriters Laboratories, Inc., États-Unis et Canada
	Couvant alternatif
n_o xxxx/min.	Cycles-minute à vide (SPM)
	Ampères
	Coupe droite
	Coupe orbitale

MONTAGE DE L'OUTIL



AVERTISSEMENT

Pour minimiser les risques de blessures, débranchez toujours l'outil avant d'y faire des réglages, d'y attacher ou d'en enlever les accessoires. L'usage d'accessoires autres que ceux qui sont spécifiquement recommandés pour cet outil peut comporter des risques.

Retrait et remise en place du cordon Quik-Lok® (No de cat. 6523-21)

Les cordons Quik-Lok® exclusifs à MILWAUKEE permettent d'installer le cordon ou de le remplacer sur place en un tournemain.

Fig. 1



1. Pour retirer le cordon Quik-Lok®, faites tourner l'écrou du cordon 1/4 de tour vers la gauche et retirez-le.
2. Pour remettre le cordon en place, alignez les rainures à clavettes du connecteur et poussez le connecteur aussi loin que possible. Tournez ensuite l'écrou du cordon 1/4 de tour vers la droite pour le verrouiller.

Choix d'une lame

Pour obtenir de meilleurs résultats, employez les lames bimétalliques MILWAUKEE Sawzall®. Choisissez une lame de longueur et de calibre appropriés.

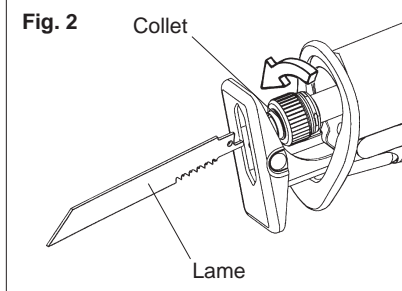
Plusieurs genres de lames sont à votre disposition pour effectuer des tâches spécifiques : taille du métal, bois, bois cloué, découpage, dégrossissage et profilage.

Les lames sont offertes en plusieurs longueurs. Optez pour une lame assez longue pour que sa course excède la semelle de l'outil et l'épaisseur du matériau à chaque cycle. **N'utilisez pas de lames moins longues que 89 mm (3-1/2"), car leur course n'excédera pas la semelle de l'outil tout au long du cycle.**

Pour de meilleurs résultats et une durabilité accrue, consultez la rubrique "Accessoires" pour le choix d'une lame qui convienne à votre tâche.

Modèles de la fixation de lame Quik-Lok®

Debranchez l'outil avant de changer la lame. Assurez-vous que le pivot et la fixation de lame sont propres. Des rognures et du bran de scie peuvent empêcher la fixation Quik-Lok® de s'enclencher solidement.



1. Selon la tâche à accomplir, la lame peut être installée avec les dents vers le haut ou vers le bas. Pour installer une lame, tournez le collet dans le sens de la flèche et introduisez la lame dans la fixation jusqu'à ce que le tenon s'arrête sur le collet.
2. Relâchez le collet et le mécanisme à ressort va enclencher la lame fermement en place.
3. Tournez le collet dans le sens opposé à la flèche pour assurer l'enclenchement de la lame dans la fixation.
4. Tirez sur la lame pour vous assurer qu'elle est bien verrouillée en place.
5. Pour retirer une lame, tournez le collet dans le sens de la flèche pour retirer la lame. Soyez prudent avec les lames brûlantes.

Entretien de la fixation de lame Quik-Lok®

- Nettoyez périodiquement la poussière et les débris de la fixation de lame Quik-Lok® à l'aide d'un jet d'air comprimé sec.
- Si le collet résiste à la torsion, tournez le collet dans un sens puis dans l'autre pour chasser les débris.
- Lubrifiez périodiquement la fixation de lame Quik-Lok® avec un lubrifiant sec tel le graphite.

Retrait d'une lame brisée de la fixation de lame Quik-Lok®

Débranchez l'outil avant de retirer une lame. Une lame brisée peut être retirée selon les méthodes ci-dessous:

- Pointez l'outil vers le bas, tournez le collet et secouez l'outil de haut en bas (**NE METTEZ PAS** l'outil en marche pendant que vos doigts maintiennent la fixation de lame en position ouverte). La tige de la lame brisée devrait s'éjecter de la fixation.

- Si vous n'obtenez pas de résultats en secouant l'outil...

Dans la plupart des cas, un morceau de la lame brisée dépassera de la fixation. Alors, tournez le collet et tirez le fragment de lame hors de la fixation.

- Si le fragment de la lame brisée ne dépasse pas assez de la fixation pour être agrippé, prenez une lame mince à petites dents (une lame à métal par exemple) et servez-vous-en comme grappin pour retirer la lame bloquée dans la fixation tandis que vous tournez le collet.

MANIEMENT

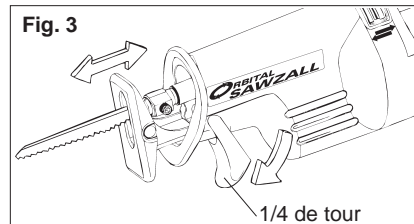


AVERTISSEMENT

Pour minimiser les risques de blessures, portez des lunettes à coques latérales.

Réglage de la semelle

La semelle peut être ajustée à trois positions vers l'avant ou l'arrière, afin de permettre l'utilisation d'une portion inutilisée de la lame lors de travaux spécifiques exigeant peu de jeu de lame.



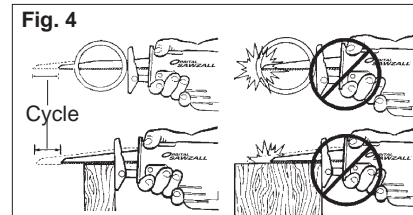
1. Pour ajuster la semelle, abaissez le levier déclencheur de la semelle d'un quart (1/4) de tour vers le bas et glissez la semelle vers l'avant ou l'arrière selon la position désirée.
2. Pour verrouiller la semelle en position, relevez le levier déclencheur.
3. Une fois le réglage de la semelle terminé, appuyez lentement sur la détente pour vous assurer que la course de la lame excède la semelle et l'épaisseur du matériau tout au long du cycle de coupe.

N'UTILISEZ PAS LE PASSE-PARTOUT SAWZALL SANS SEMELLE. SI L'AXE D'ENTRAÎNEMENT VIENT EN CONTACT DIRECT AVEC UN MATÉRIAU, LE MÉCANISME ALTERNATIF POURRA SUBIR DES DOMMAGES.



AVERTISSEMENT

Pour minimiser les risques de blessures assurez-vous que la course de la lame excède la semelle et l'épaisseur du matériau tout au long du cycle de coupe. La lame pourrait voler en éclat si elle vient en contact avec la semelle ou le matériau (Fig. 4).



Système de protection anti-choc

Certains modèles sont pourvus d'un système d'engrenages unique et breveté qui maintient une puissance d'entraînement efficace et prolonge la durée de l'outil dans les conditions de coupes les plus difficiles. Ce système robuste résiste aux impacts, coincements de lame et pannes de moteur. Tout en servant à des tâches générales, ces modèles peuvent aussi être utilisés pour les coupes extrêmement difficiles de tuyaux de grand diamètre, métaux épais, palettes et travaux lourds de démolition et de rénovation.



AVERTISSEMENT

N'utilisez pas la Sawzall® lorsque le bouton de rotation de la poignée est enfoncé dans la poignée ou lorsque la poignée n'est pas verrouillée en position.

Rotation de la poignée (No de cat. 6523-21)

La poignée de la Sawzall® Orbitale 6523-21 peut pivoter continuellement dans l'une ou l'autre direction et permettre ainsi à l'utilisateur d'obtenir des positions de coupe et un confort optimum. La poignée peut être verrouillée dans une des huit (8) positions de détente, une par angle de 45°.

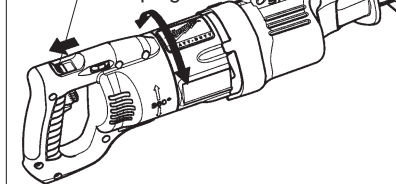
Pour faire pivoter la poignée :

1. Débranchez l'outil.
2. Appuyez sur le bouton de rotation de la poignée.
3. Faites tourner la poignée à la position désirée.
4. Relâchez le bouton de rotation de la poignée. Ceci verrouille fermement la poignée en position.

N.B. Assurez-vous que la poignée ne tourne pas avant d'utiliser l'outil.

Fig. 5

Bouton de rotation de la poignée



AVERTISSEMENT

Si la poignée ne peut être verrouillée en position, n'utilisez pas la Sawzall®. Renvoyez la Sawzall® à un centre de service MILWAUKEE pour qu'elle soit réparée immédiatement.

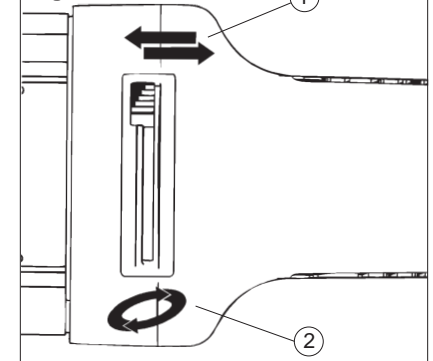
Démarrage, arrêt et contrôle de la vitesse

1. Pour **mettre** l'outil en marche, empoignez fermement l'outil et appuyez sur la détente d'interrupteur.
2. Pour **arrêter** l'outil, relâchez la détente. Laissez l'outil s'arrêter complètement avant d'en retirer la lame d'une coupe partielle ou de le déposer.

Commande de mouvement orbital

Le Orbital Sawzall à mouvement orbital™ est pourvu d'une commande de mouvement orbital. L'outil peut fonctionner en mouvement alternatif droit (non orbital) ou en mouvement orbital. Le mouvement alternatif droit doit être utilisé pour les coupes lisses, tandis que le mouvement orbital est recommandé pour les coupes robustes et rapides. Il appartient à l'utilisateur de juger si le mouvement orbital est approprié pour une coupe.

Fig. 6



1. Pour le mouvement alternatif droit, déplacez la commande de mouvement orbital vers le symbole de coupe droite (1).
2. Pour le mouvement orbital, déplacez la commande de mouvement orbital vers le symbole de coupe orbitale (2).

La fréquence des mouvement orbitaux peut être ajustée en plaçant la commande de mouvement orbital à n'importe quelle position entre les deux symboles. Pour un mouvement orbital plus déployé, placez la commande de mouvement orbital près du symbole de coupe orbitale (2). Pour un mouvement orbital plus restreint, placez la commande de mouvement orbital près du symbole de coupe droite (1).

Le mouvement orbital peut être ajusté pendant que l'outil est en marche.

N.B. Le mouvement orbital ne fonctionne pas si la lame est installée à l'envers.

Sélection du régime de vitesse

L'indicateur du réglage de vitesse détermine le nombre maximum de cycles par minute. La vitesse peut être variée, en deça de la vitesse maximale choisie, par l'usage de la détente d'interrupteur. Reportez-vous au tableau pour connaître les réglages recommandés.

MATÉRIAU	RÉGLAGES SUGGÉRÉS SUGERENCIA DEL NUMERO EN*
Acier doux	2-3
Bois	5
Bois cloué	5
Acier inoxydable	1-3
Placoplâtre	4-5
Fibre de verre	1-3
Plastiques	1-3
Fonte	2-3
Métaux ferreux	2-3

* Ces réglages ne sont que des suggestions. Le réglage optimum nécessaire peut varier, selon la tension du réseau, la lame utilisée et le jugement de l'utilisateur.

Commande d'Interrupteur à détente

Les passe-partout Sawzall® sont pourvus d'une commande d'interrupteur à vitesse variable. Ils peuvent fonctionner à n'importe quelle vitesse entre la vitesse nulle et le plein régime. Mettez toujours l'outil en marche avant de commencer une coupe. Pour varier la vitesse de coupe, il suffit simplement d'augmenter ou de réduire la pression du doigt sur la détente. Plus la détente est enfoncée, plus la vitesse de coupe est grande. Pour arrêter l'outil, relâchez la détente et laissez l'outil s'arrêter complètement avant de le retirer d'une entaille ou de le déposer.

Coupe, en général

Pour des coupes droites ou profilées à partir du bord d'une pièce, alignez la lame sur la ligne de coupe. Avant que la lame ne touche le matériau, empoignez fermement l'outil et appuyez sur la détente. Entamez la coupe en suivant le tracé. Maintenez toujours la semelle de l'outil sur la pièce afin d'éviter l'excès de vibration.

Coupe des métaux

Commencez à couper à basse vitesse et continuez la coupe en augmentant la vitesse graduellement. Lorsque vous taillez dans un métal dur et que vous ne pouvez commencer la coupe à partir du bord de la pièce, percez un trou de départ plus grand que la partie la plus large de la lame. Pour prolonger la durée d'une lame, utilisez un bon liquide de coupe tel le lubrifiant.

Coupe en plongée

Votre passe-partout Sawzall® MILWAUKEE est l'outil idéal pour les coupes en plongée directement sur la surface lorsque la coupe ne peut être amorcée par le côté, comme dans le cas des planchers ou des murs. Le mouvement orbital est recommandé pour les coupes en plongée. On peut faire des coupes en plongée de deux façons, selon l'installation de la lame. La vignette de la colonne A démontre comment faire une coupe en plongée avec les dents de lame pointant vers le bas. La vignette de la colonne B démontre comment faire une coupe en plongée avec les dents de lame pointant vers le haut.

N.B. Le mouvement orbital ne fonctionne pas si la lame est installée à l'envers.

Ne faites pas une coupe en plongée dans une surface métallique (voir « Coupe des métaux »).



AVERTISSEMENT

Pour minimiser les risques d'explosion, choc électrique et dommages à vos biens, lorsque vous effectuez une coupe en plongée, inspectez toujours l'aire de coupe pour y déceler la présence de fils électriques ou de canalisations.

1. Insérez la lame dans l'outil.

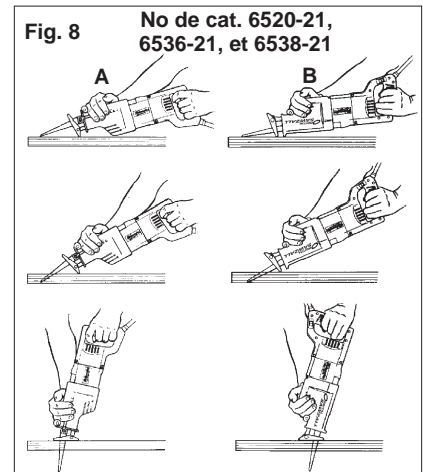
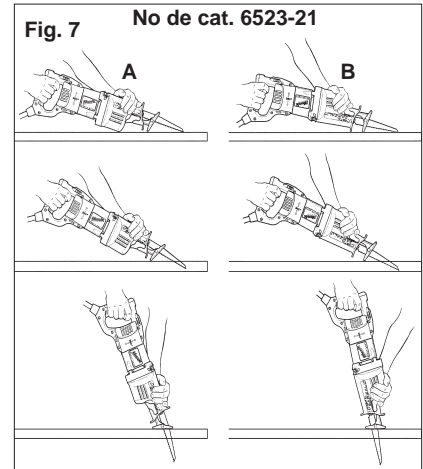
Si vous avez inséré la lame avec les dents orientées vers le bas, tenez l'outil tel qu'indiqué dans la colonne A, laissant le rebord de la semelle de l'outil reposer sur la pièce à tailler.

Si vous avez inséré la lame avec les dents orientées vers le haut, tenez l'outil tel qu'indiqué dans la colonne B, laissant le rebord de la semelle reposer sur la pièce, tel que démontré.

2. Maintenez la lame juste au-dessus de la surface et appuyez sur la détente. En vous servant du rebord de la semelle comme point d'appui, abaissez la lame dans la pièce à tailler, tel qu'indiqué.

3. À mesure que la lame s'enfonce dans la pièce, redressez lentement la poignée de l'outil jusqu'à ce que la semelle repose entièrement sur la surface de la pièce à tailler. Ensuite, guidez l'outil sur la ligne de coupe pour obtenir la coupe désirée.

N.B. Pour faciliter la coupe en plongée, utilisez une lame de calibre lourd que vous installerez avec les dents orientées vers le haut, tel que démontré dans la colonne B.



MAINTENANCE



AVERTISSEMENT

Pour minimiser les risques de blessures, débranchez toujours l'outil avant d'y effectuer des travaux de maintenance. Ne faites pas vous-même le démontage de l'outil ni le rebobinage du système électrique. Consultez un centre de service MILWAUKEE accrédité pour toutes les réparations.

Entretien de l'outil

Gardez l'outil en bon état en adoptant un programme d'entretien ponctuel. Avant de vous en servir, examinez son état en général. Inspectez-en la garde, interrupteur, cordon et cordon de rallonge pour en déceler les défauts. Vérifiez le serrage des vis, l'alignement et le jeu des pièces mobiles, les vices de montage, bris de pièces et toute autre condition pouvant en rendre le fonctionnement dangereux. Si un bruit ou une vibration insolite survient, arrêtez immédiatement l'outil et faites-le vérifier avant de vous en servir de nouveau. N'utilisez pas un outil défectueux. Fixez-y une étiquette marquée « HORS D'USAGE » jusqu'à ce qu'il soit réparé (voir « Réparations »).

Normalement, il ne sera pas nécessaire de lubrifier l'outil avant que le temps ne soit venu de remplacer les balais. Après une période pouvant aller de 6 mois à un an, selon l'usage, retournez votre outil à un centre de service MILWAUKEE accrédité pour obtenir les services suivants:

- Lubrification
- Inspection et remplacement des balais
- Inspection et nettoyage de la mécanique (engrenages, pivots, coussinets, boîtier etc.)
- Inspection électrique (interrupteur, cordon, induit etc.)
- Vérification du fonctionnement électromécanique



AVERTISSEMENT

Pour minimiser les risques de blessures, choc électrique et dommage à l'outil, n'immergez jamais l'outil et ne laissez pas de liquide s'y infiltrer.

Nettoyage

Débarrassez les événements des débris et de la poussière. Gardez les poignées de l'outil propres, à sec et exemptes d'huile ou de graisse. Le nettoyage de l'outil doit se faire avec un linge humide et un savon doux. Certains nettoyants tels l'essence, la térébenthine, les diluants à laque ou à peinture, les solvants chlorés, l'ammoniaque et les détergents d'usage domestique qui en contiennent pourraient détériorer le plastique et l'isolation des pièces. Ne laissez jamais des solvants inflammables ou combustibles auprès des outils.

Réparations

Si votre outil est endommagé, retournez l'outil entier au centre de maintenance le plus proche.

ACCESOIRES



AVERTISSEMENT

Retirez toujours la batterie avant de changer ou d'enlever les accessoires. L'utilisation d'autres accessoires que ceux qui sont spécifiquement recommandés pour cet outil peut comporter des risques.

Pour une liste complète des accessoires, prière de se reporter au catalogue MILWAUKEE Electric Tool ou visiter le site internet www.milwaukeetool.com. Pour obtenir un catalogue, il suffit de contacter votre distributeur local ou l'un des centres-service énumérés sur la page de couverture de ce manuel.

Cordon Quik-Lok®
305 cm (10') Cordon Quik-Lok®
No de cat. 48-76-5010

762 cm (25') Cordon Quik-Lok®
No de cat. 48-76-5025

Cas portant
No de cat. 48-55-2055

Le système orbital de serre-joint de tuyau
No de cat. 49-22-1016

La trousse saisie de serre-joint de lame
No de cat. 49-22-5016

Voir page 38 & 39 pour Lames Sawzall® Bimé-talliques.

GARANTIE LIMITÉE DE L'OUTIL DE CINQ ANS

Chaque outil électrique MILWAUKEE (y compris les produits sans fil [outils, batteries, chargeurs de batterie, et les lampes de travail-lampes de poche sans fil]) est garanti à l'acheteur d'origine être exempt de vice du matériau et de fabrication. Sous réserve de certaines exceptions, MILWAUKEE réparera ou remplacera toute pièce d'un outil électrique qui, après examen par MILWAUKEE, s'est avérée être affectée d'un vice du matériau ou de fabrication pendant une période de cinq (5) ans* après la date d'achat. Retourner l'outil électrique, accompagné d'une copie de la preuve d'achat, à un centre de réparations en usine MILWAUKEE ou à un poste d'entretien agréé MILWAUKEE, en port prépayé et assuré. Cette garantie ne couvre pas les dommages que MILWAUKEE détermine être causés par des réparations ou des tentatives de réparation par quiconque autre que le personnel agréé par MILWAUKEE, des utilisations incorrectes, des altérations, des utilisations abusives, une usure normale, une carence d'entretien ou les accidents.

*Toutes les batteries MILWAUKEE V™ (V18™ & V28™) au LITHIUM-ION et M18 XC au LITHIUM-ION sont garanties pendant cinq (5) ans ou pour 2 000 charges, selon la première échéance. La garantie couvre les 1 000 premières charges ou les deux premières années de la garantie, selon la première échéance. Cela signifie que pour les 1 000 premières charges, ou pendant les deux premières années de la garantie à partir de la date d'achat ou de la première charge, une batterie de rechange sera remise tout à fait gratuitement à l'utilisateur si la batterie d'origine est défectueuse. Par la suite, la garantie couvrira les charges restantes, jusqu'à concurrence de 2 000, ou les années restantes de la période de garantie de cinq (5) ans à partir de la date d'achat, selon la première échéance, et ce, au pro rata. Cela signifie que chaque consommateur bénéficie de 1 000 charges supplémentaires ou d'une garantie supplémentaire de proportionnalité de trois (3) ans sur les batteries avec technologie V™ au LITHIUM-ION et M18 XC au LITHIUM-ION, selon la durée de l'utilisation.

*La période de la garantie applicable à TOUTES les batteries autres au LITHIUM-ION est d'une durée de deux (2) ans à partir de la date d'achat.

* La période de garantie applicable pour le laser à deux faisceaux M12 et le port d'alimentation M12, les batteries au nickel-cadmium, les radios de chantier et les chariots de travail industriels Trade Titan™ est d'une durée d'un (1) an à partir de la date d'achat.

L'enregistrement de la garantie n'est pas nécessaire pour bénéficier de la garantie en vigueur sur un produit MILWAUKEE. La date de fabrication du produit servira à établir la période de garantie si aucune preuve d'achat n'est fournie lorsqu'une demande de service sous garantie est faite.

L'ACCEPTATION DES RECOURS EXCLUSIFS DE RÉPARATION ET DE REMPLACEMENT DÉCRITS AUX PRÉSENTES EST UNE CONDITION DU CONTRAT D'ACHAT DE TOUT PRODUIT MILWAUKEE. SI VOUS N'ACCEPTEZ PAS CETTE CONDITION, VOUS NE DEVEZ PAS ACHETER LE PRODUIT. EN AUCUN CAS MILWAUKEE NE SAURAIT ÊTRE RESPONSABLE DE TOUT DOMMAGE ACCESSOIRE, SPÉCIAL OU INDIRECT, DE DOMMAGES-INTÉRÊTS PUNITIFS OU DE TOUTE DÉPENSE, D'HONORAIRES D'AVOCATS, DE FRAIS, DE PERTE OU DE DÉLAIS ACCESSOIRES À TOUT DOMMAGE, DÉFAILLANCE OU DÉFAUT DE TOUT PRODUIT, Y COMPRIS NOTAMMENT LES PERTES DE PROFIT. CETTE GARANTIE EST EXCLUSIVE ET REMPLACE TOUTE AUTRE GARANTIE OU CONDITION, ÉCRITE OU VERBALE, EXPRESSE OU IMPLICITE. SANS LIMITER LA GÉNÉRALITÉ DES DISPOSITIONS PRÉCÉDENTES, MILWAUKEE DÉCLINE TOUTE GARANTIE IMPLICITE DE QUALITÉ MARCHANDE OU D'ADAPTATION À UNE UTILISATION OU À UNE FIN PARTICULIÈRE ET TOUTE AUTRE GARANTIE.

Cette garantie s'applique aux produits vendus aux États-Unis, au Canada et au Mexique uniquement.

Veillez consulter la rubrique Centre SAV MILWAUKEE, dans la section Pièces & Service du site Web de MILWAUKEE, à l'adresse www.milwaukeetool.fr, ou composer le 1-800-SAWDUST (1-800-729-3878) afin de trouver le centre de service de votre région le plus près pour l'entretien, sous garantie ou non, de votre outil électrique MILWAUKEE.

REGLAS DE SEGURIDAD GENERALES PARA HERRAMIENTAS ELÉCTRICAS



ADVERTENCIA

LEA TODAS LAS INSTRUCCIONES

Si no se siguen todas las siguientes instrucciones se puede provocar una descarga eléctrica, un incendio y/o lesiones graves. El término “herramienta eléctrica” en todas las advertencias incluidas más abajo se refiere a su herramienta operada por conexión (cable) a la red eléctrica o por medio de una batería (inalámbrica).

GUARDE ESTAS INSTRUCCIONES

SEGURIDAD EN EL ÁREA DE TRABAJO

1. **Mantenga limpia y bien iluminada el área de trabajo.** Las áreas desordenadas u oscuras contribuyen a que se produzcan accidentes.
2. **No utilice herramientas eléctricas en atmósferas explosivas, como en la presencia de líquidos, gases o polvo inflamables.** Las herramientas eléctricas crean chispas que pueden incendiar el polvo o las emanaciones.
3. **Mantenga a los niños y otras personas alejadas mientras utiliza una herramienta eléctrica.** Las distracciones pueden hacerle perder el control.

SEGURIDAD ELÉCTRICA

4. **Los enchufes de las herramientas eléctricas deben ser del mismo tipo que el tomacorrientes. Nunca realice ningún tipo de modificación en el enchufe. No use enchufes adaptadores con herramientas eléctricas con conexión a tierra.** Se reducirá el riesgo de descarga eléctrica si no se modifican los enchufes y los tomacorrientes son del mismo tipo.
5. **Evite el contacto corporal con superficies con conexión a tierra, como tuberías, radiadores, estufas y refrigeradores.** El riesgo de descarga eléctrica aumenta si su cuerpo está conectado a tierra.
6. **No exponga la herramientas eléctricas a la lluvia o a condiciones de humedad.** El agua que entra en una herramienta eléctrica aumenta el riesgo de descarga eléctrica.

7. **No abuse del cable. Nunca use el cable para transportar la herramienta eléctrica, tirar de ella o desenchufarla. Mantenga el cable alejado del calor, los bordes afilados o las piezas en movimiento.** Los cables dañados o enmarañados aumentan el riesgo de descarga eléctrica.
8. **Cuando se utiliza una herramienta eléctrica en el exterior, use una extensión que sea apropiada para uso en el exterior.** El uso de un cable apropiado para el exterior reduce el riesgo de descarga eléctrica.

SEGURIDAD PERSONAL

9. **Manténgase alerta, ponga cuidado a lo que está haciendo y use el sentido común cuando utilice una herramienta eléctrica. No use una herramienta eléctrica cuando está cansado o bajo la influencia de drogas, alcohol o medicinas.** Despijarse un minuto cuando se utiliza una herramienta eléctrica puede tener como resultado lesiones personales graves.
10. **Use equipo de seguridad. Lleve siempre protección ocular.** Llevar equipo de seguridad apropiado para la situación, como una máscara antipolvo, zapatos de seguridad antideslizantes casco o protección auditiva, reducir á las lesiones personales.
11. **Evite los arranques accidentales. Asegúrese de que el interruptor esté en la posición de apagado antes de enchufar la herramienta.** Mover herramientas con el dedo en el interruptor o enchufar herramientas con el interruptor en la posición de encendido contribuye a que se produzcan accidentes.

12. **Quite todas las llaves de ajuste antes de encender la herramienta.** Una llave que esté acoplada a una pieza giratoria de la herramienta puede provocar lesiones personales.
13. **No se estire demasiado. Mantenga los pies bien asentados y el equilibrio en todo momento.** Esto permite tener mejor control de la herramienta eléctrica en situaciones inesperadas.
14. **Vístase de manera apropiada. No lleve ropa suelta ni joyas. Mantenga el cabello, la ropa y los guantes lejos de la piezas en movimiento.** La ropa floja, las joyas o el cabello largo pueden quedar atrapados en las piezas en movimiento.
15. **Si se proporcionan dispositivos para la conexión de sistemas de recolección y extracción de polvo, asegúrese de que estén conectados y se usen apropiadamente.** El uso de estos dispositivos puede reducir los peligros relacionados con el polvo.

USO Y CUIDADO DE LAS HERRAMIENTAS ELÉCTRICAS

16. **No fuerce la herramienta eléctrica. Use la herramienta eléctrica correcta para la aplicación.** La herramienta eléctrica correcta funcionará mejor y de manera más segura a la velocidad para la que se diseñó.
17. **No use la herramienta eléctrica si el interruptor no la enciende ni la apaga.** Cualquier herramienta eléctrica que no se pueda controlar con el interruptor es peligrosa y se debe reparar.
18. **Desconecte el enchufe de la toma de alimentación y/o la batería de la herramienta eléctrica antes de realizar cualquier ajuste, cambiar accesorios o almacenar las herramientas eléctricas.** Dichas medidas preventivas de seguridad reducen el riesgo de que la herramienta se prenda accidentalmente.
19. **Almacene las herramientas eléctricas fuera del alcance de los niños y no permita que personas no familiarizadas con ellas o estas instrucciones las utilicen.** Las herramientas eléctricas son peligrosas en las manos de usuarios no capacitados.

20. **Mantenimiento de las herramientas eléctricas. Revise que no haya piezas móviles que estén desalineadas o que se atasquen, piezas rotas ni ninguna otra condición que pueda afectar el funcionamiento de la herramienta eléctrica. Si se encuentran daños, haga que le reparen la herramienta antes de usarla.** Las herramientas mal mantenidas son la causa de muchos accidentes.
21. **Mantenga las herramientas de corte limpias y afiladas.** Es menos probable que se atasquen las herramientas de corte con filos afilados que se mantienen de manera apropiada y también son más fáciles de controlar.
22. **Use la herramienta eléctrica, los accesorios y las brocas, etc. siguiendo estas instrucciones y de la manera para la que dicha herramienta eléctrica en particular fue diseñada, teniendo en cuenta las condiciones de trabajo y la tarea que se va a realizar.** El uso de la herramienta eléctrica para operaciones diferentes de aquellas para las que se diseñó podría resultar en una situación peligrosa.

MANTENIMIENTO

23. **Haga que un técnico calificado realice el mantenimiento de la herramienta eléctrica utilizando solamente piezas de repuesto idénticas.** Esto asegurará que se mantiene la seguridad de la herramienta eléctrica.

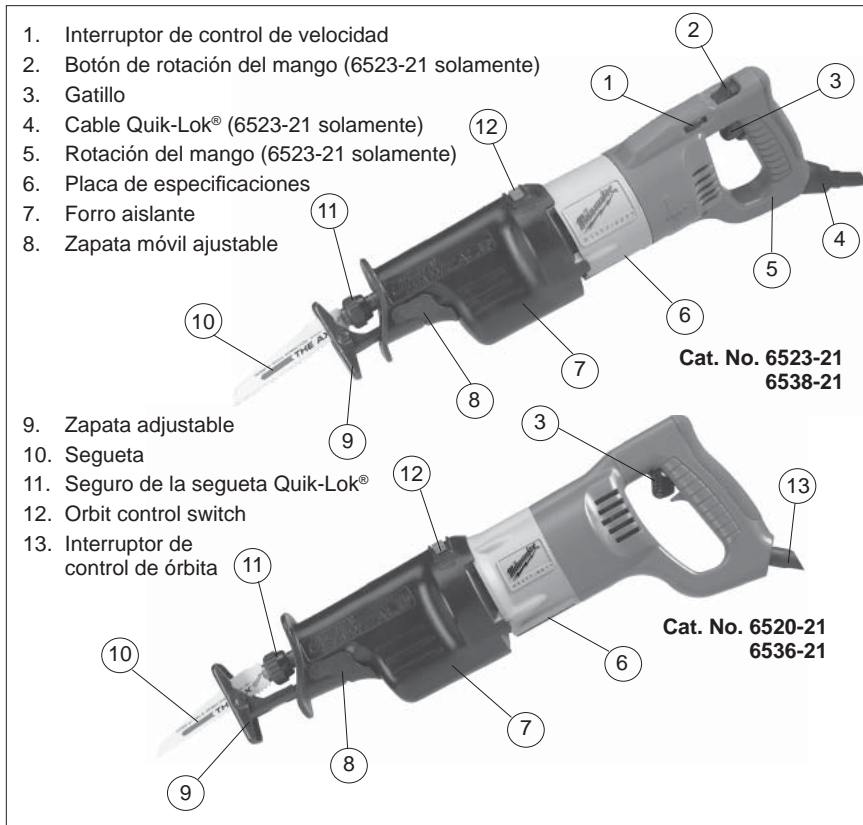
REGLAS ESPECÍFICAS DE SEGURIDAD

1. **Sostenga las herramientas eléctricas por las superficies aisladas cuando realice una operación donde la herramienta de corte pueda entrar en contacto con alambres que no estén visibles o con su propio cordón.** Hacer contacto con un alambre energizado hará que las partes metálicas expuestas de la herramienta también estén “energizadas” y produzcan una descarga sobre el operador.
2. **Mantenga las manos alejadas de todos los bordes cortadores y partes en movimiento.**

- Utilice abrazaderas u otra manera práctica de asegurar y apoyar la pieza de trabajo a una plataforma estable. Sujetar la pieza de trabajo con la mano o contra su cuerpo la inestabiliza y podría hacerle perder el control.
- Guarde las etiquetas y placas de especificaciones. Estas tienen información importante. Si son ilegibles o si no se pueden encontrar, póngase en contacto con un centro de servicio de MILWAUKEE para una refacción gratis.
- ADVERTENCIA:** Algunas partículas de polvo resultantes del lijado mecánico, aserrado, esmerilado, taladrado y otras actividades relacionadas a la construcción, contienen sustancias químicas que se saben ocasionan cáncer, defectos congénitos u otros daños al aparato reproductivo. A continuación se citan algunos ejemplos de tales sustancias químicas:
 - plomo proveniente de pinturas con base de plomo
 - sílice cristalino proveniente de ladrillos, cemento y otros productos de albañilería y
 - arsénico y cromo provenientes de madera químicamente tratada.

El riesgo que usted sufre debido a la exposición varía dependiendo de la frecuencia con la que usted realiza estas tareas. Para reducir la exposición a estas sustancias químicas: trabaje en un área bien ventilada, y utilice equipo de seguridad aprobado como, por ejemplo, máscaras contra el polvo que hayan sido específicamente diseñadas para filtrar partículas microscópicas.

DESCRIPCION FUNCIONAL



TIERRA

ADVERTENCIA

Puede haber riesgo de descarga eléctrica si se conecta el cable de conexión de puesta a tierra incorrectamente. Consulte con un electricista certificado si tiene dudas respecto a la conexión de puesta a tierra del tomacorriente. No modifique el enchufe que se proporciona con la herramienta. Nunca retire la clavija de conexión de puesta a tierra del enchufe. No use la herramienta si el cable o el enchufe está dañado. Si está dañado antes de usarlo, llévelo a un centro de servicio MILWAUKEE para que lo reparen. Si el enchufe no se acopla al tomacorriente, haga que un electricista certificado instale un toma-corriente adecuado.

La clavija de conexión de puesta a tierra en el enchufe está conectada al sistema de conexión de puesta a tierra de la herramienta a través del hilo verde dentro del cable. El hilo verde debe ser el único hilo conectado al sistema de conexión de puesta a tierra de la herramienta y nunca se debe unir a una terminal energizada.

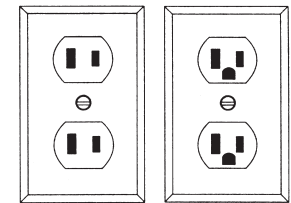
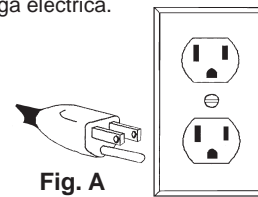
Su herramienta debe estar enchufada en un tomacorriente apropiado, correctamente instalado y conectado a tierra según todos los códigos y reglamentos. El enchufe y el tomacorriente deben asemejarse a los de la Figura A.

Herramientas con doble aislamiento: Herramientas con clavijas de dos patas

Las herramientas marcadas con "Doble aislamiento" no requieren conectarse "a tierra". Estas herramientas tienen un sistema aislante que satisface los estándares de OSHA y llena los estándares aplicables de UL (Underwriters Laboratories), de la Asociación Canadiense de Estándares (CSA) y el Código Nacional de Electricidad. Las herramientas con doble aislamiento pueden ser usadas en cualquiera de los toma corriente de 120 Volt mostrados en las Figuras B y C.

Herramientas con conexión a tierra: Herramientas con enchufes de tres clavijas

Las herramientas marcadas con la frase "Se requiere conexión de puesta a tierra" tienen un cable de tres hilos y enchufes de conexión de puesta a tierra de tres clavijas. El enchufe debe conectarse a un tomacorriente debidamente conectado a tierra (véase la Figura A). Si la herramienta se averiara o no funcionara correctamente, la conexión de puesta a tierra proporciona un trayecto de baja resistencia para desviar la corriente eléctrica de la trayectoria del usuario, reduciendo de este modo el riesgo de descarga eléctrica.



Especificaciones

Cat. No.	Volts ca ~	Amperios	Largo de Carrera	Carreras por Minuto
6520-21	120	12	29 mm (1-1/8")	0 - 2 800
6523-21	120	13	32 mm (1-1/4")	0 - 3 000
6536-21	120	13	32 mm (1-1/4")	0 - 3 000
6538-21	120	15	32 mm (1-1/4")	0 - 2 800

EXTENSIONES ELECTRICAS

Las herramientas que deben conectarse a tierra cuentan con clavijas de tres patas y requieren que las extensiones que se utilicen con ellas sean también de tres cables. Las herramientas con doble aislamiento y clavijas de dos patas pueden utilizarse indistintamente con extensiones de dos a tres cables. El calibre de la extensión depende de la distancia que exista entre la toma de la corriente y el sitio donde se utilice la herramienta. El uso de extensiones inadecuadas puede causar serias caídas en el voltaje, resultando en pérdida de potencia y posible daño a la herramienta. La tabla que aquí se ilustra sirve de guía para la adecuada selección de la extensión.

Mientras menor sea el número del calibre del cable, mayor será la capacidad del mismo. Por ejemplo, un cable calibre 14 puede transportar una corriente mayor que un cable calibre 16. Cuando use más de una extensión para lograr el largo deseado, asegúrese que cada una tenga al menos, el mínimo tamaño de cable requerido. Si está usando un cable de extensión para más de una herramienta, sume los amperes de las varias placas y use la suma para determinar el tamaño mínimo del cable de extensión.

Guías para el uso de cables de extensión

- Si está usando un cable de extensión en sitios al aire libre, asegúrese que está marcado con el sufijo "W-A" ("W" en Canadá) el cual indica que puede ser usado al aire libre.
- Asegúrese que su cable de extensión está correctamente cableado y en buenas condiciones eléctricas. Cambie siempre una extensión dañada o hágala reparar por una persona calificada antes de volver a usarla.
- Proteja su extensión eléctrica de objetos cortantes, calor excesivo o áreas mojadas.








Calibre mínimo recomendado para cables de extensiones eléctricas*

Amperios (En la placa)	Largo de cable de Extensión en (m)					
	7,6	15,2	22,8	30,4	45,7	60,9
0 - 5,0	16	16	16	14	12	12
5,1 - 8,0	16	16	14	12	10	--
8,1 - 12,0	14	14	12	10	--	--
12,1 - 15,0	12	12	10	10	--	--
15,1 - 20,0	10	10	10	--	--	--

* Basado en limitar la caída en el voltaje a 5 volts al 150% de los amperios.

LEA Y GUARDE TODAS LAS INSTRUCCIONES PARA FUTURAS REFERENCIAS.

Simbología

	Doble aislamiento
	Underwriters Laboratories, Inc., Estados Unidos y Canadá
	Volts corriente alterna
	No de carrera de carga por minuto (SPM)
	Amperios
	Corte recto
	Corte orbital

ENSAMBLAJE DE LA HERRAMIENTA



ADVERTENCIA

Para reducir el riesgo de una lesión, desconecte siempre la herramienta antes de fijar o retirar accesorios, o antes de efectuar ajustes. Utilice sólo los accesorios específicamente recomendados. El uso de otros accesorios puede ser peligroso.

Montaje y desmontaje del cable de cambio rápido Quik-Lok® (Cat. No. 6523-21)

Los exclusivos cables de cambio rápido Quik-Lok® de MILWAUKEE pueden reemplazarse de forma inmediata en el área de trabajo.

Fig. 1



1. Para desmontar el cable Quik-Lok®, gire el cable 1/4 de vuelta hacia la izquierda y sepárelo del cuerpo de la unidad.
2. Para montar el cable Quik-Lok®, alinee las marcas en el conector con las del cable y empuje el conector hasta el fondo. Luego gire el cable 1/4 de vuelta hacia la derecha para asegurarlo.

Seleccionando las seguetas

Use seguetas Bi-Metálicas Sawzall® de MILWAUKEE para obtener el mejor rendimiento. Cuando seleccione una segueta, observe que sea la adecuada y del largo correcto.

Hay muchos tipos de seguetas disponibles para la gran variedad de aplicaciones como: cortar metal, madera, madera con clavos, cortes calados, trozar y contornear.

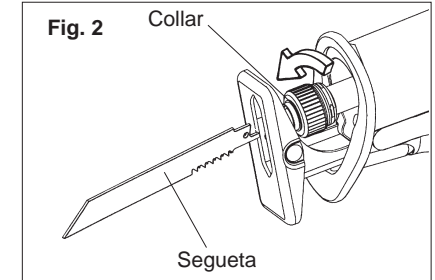
También hay seguetas de muchos largos. Seleccione un largo que sea suficiente para que sobresalga de la zapata y del material a cortar, incluida la carrera. **No use seguetas con un largo menor a 89 mm (3-1/2") ya que no llegarán a cortar más allá de la zapata.**

Para obtener el mejor rendimiento y la más larga vida de la segueta, vea "Accesorios" para seleccionar la mejor segueta para su trabajo.

Modelos de la abrazadera de la segueta Quik-Lok®

Desenchufe la herramienta antes de cambiar la segueta. Antes de cambiar la segueta, asegúrese que la flecha y el área de colocación de la segueta están limpias. Si hubieran rebabas de metal o aserrín, podrían impedir que la abrazadera de la segueta Quik-Lok® quedara bien asegurada por el tornillo.

Fig. 2



1. Dependiendo del trabajo a realizar, usted podrá colocar la segueta con los dientes hacia abajo o hacia arriba. Para instalar la segueta, gire el collar en el sentido del símbolo de la flecha mientras inserte la segueta en la abrazadera hasta que el zanco llegue al collar.
2. Cuando suelte el collar, el mecanismo de resorte sujetará la segueta firmemente en su lugar.
3. Gire el collar en el sentido contrario de la flecha para asegurarse que la segueta esté asegurada en la abrazadera.
4. Tire de la segueta para asegurarse que se ha fijado seguramente en su lugar.
5. Para retirar la segueta, gire el collar en la dirección del símbolo de la flecha mientras quite la segueta. Tenga cuidado al manejar seguetas calientes.

Mantenimiento de la abrazadera de la segueta Quik-Lok®

- Periódicamente limpie el polvo y residuos de la abrazadera de la segueta Quik-Lok® con aire comprimido seco.
- Si el collar no gire con facilidad, gire el collar hacia la derecha y hacia la izquierda para sacudir los residuos sueltos.
- Periódicamente lubrique la abrazadera Quik-Lok® con un lubricante seco como el grafito.

Cómo sacar las seguetas rotas de la abrazadera de la següeta Quik-Lok®

Desenchufe la herramienta antes de quitar las seguetas. Se puede sacar la següeta utilizando los siguientes métodos.

- Apunte la herramienta hacia abajo, gire el collar y sacuda la herramienta hacia arriba y hacia abajo (**NO** apague la herramienta mientras los dedos mantengan abierta la abrazadera de la següeta). La varilla de la següeta rota debe desprenderse de la abrazadera.
- Si no surte efecto el sacudir de la herramienta...

En la mayor'a de casos, una parte de la següeta rota se extenderá más allá de la abrazadera. Simplemente gire el collar y tire la següeta rota de la abrazadera por esta esquina.

- Si la següeta rota no se extiende lo suficiente para que usted pueda tomarla, utilice una hoja delgada con dientes pequeños (tal como una hoja para cortar) para enganchar la següeta que está atorada en la abrazadera mientras gira el collar y sáquela de la abrazadera.

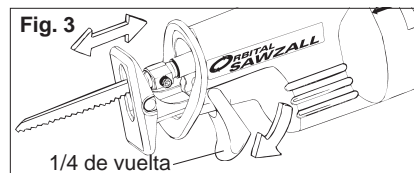
OPERACION

ADVERTENCIA

Para reducir el riesgo de lesiones, use siempre lentes de seguridad o anteojos con protectores laterales. Desconecte la herramienta antes de cambiar algún accesorio o de hacerle algún ajuste.

Ajuste de la zapata

La zapata puede ajustarse en tres posiciones, hacia atrás o adelante, para tomar ventaja y usar todas las porciones no usadas de una següeta, o para trabajos especiales que requieran de usar solo un tramo corto de la següeta.

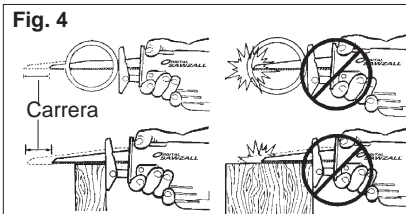


1. Para ajustar la zapata, jale hacia abajo 1/4 de vuelta el seguro de la misma y deslícela hacia adelante o atrás, a la posición deseada.
2. Para asegurar la zapata en posición, empuje hacia arriba el seguro de la misma.
3. Luego de ajustar la zapata, oprima lentamente el gatillo interruptor para asegurarse que la següeta corre y alcanza en su carrera, mas alla de la zapata y el material a cortar.

NO UTILICE LA SIERRA SABLE SIN ZAPATA. EL GOLPEAR LA FLECHA CONTRA EL MATERIAL PODRÍA DAÑAR EL MECANISMO.

ADVERTENCIA

Para reducir el riesgo de lesión, asegúrese que la següeta llegará, en su carrera, mas allá de la zapata y del material a cortar. Las seguetas pueden dañarse si se golpean con el material o la zapata (Fig. 4).



Mecanismo de protección durante un impacto

Algunos modelos vienen equipados con un sistema de engranaje patentado que proporciona una transmisión de electricidad eficaz y alarga la vida útil de un accesorio empleado para las aplicaciones de corte más difíciles. Este mecanismo duradero absorbe impactos y movimientos cuando se traba la hoja y se para el motor. Estos modelos se pueden utilizar para aplicaciones de cortes extremas, como por ejemplo, tubos de gran diámetro, metales gruesos, paletas y tareas de demolición y remozamiento pesadas, y también para tareas generales.

ADVERTENCIA

No opere la Sawzall® mientras el botón de rotación del mango se encuentre oprimido o si el mango no se encuentra asegurado en su posición.

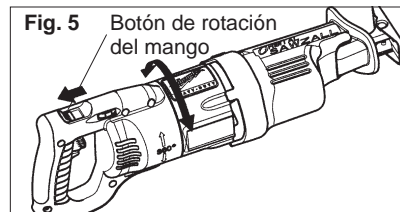
Rotación del mango (Cat. No. 6523-21)

El mango de la Sawzall® Orbital 6523-21 puede girar continuamente en cualquier dirección, lo que le permite al usuario obtener mayor comodidad y lograr posiciones de corte óptimas. El mango se puede bloquear en una de ocho (8) posiciones de retención, una a cada ángulo de 45°.

Para girar el mango:

1. Desconecte la herramienta.
2. Oprima el botón de rotación del mango.
3. Gire el mango a la posición deseada.
4. Suelte el botón de rotación del mango. Esta acción bloqueará el mango y lo asegurará firmemente en su posición.

NOTA: Cerciórese de que el mango no pueda girar antes de utilizar la herramienta.



ADVERTENCIA

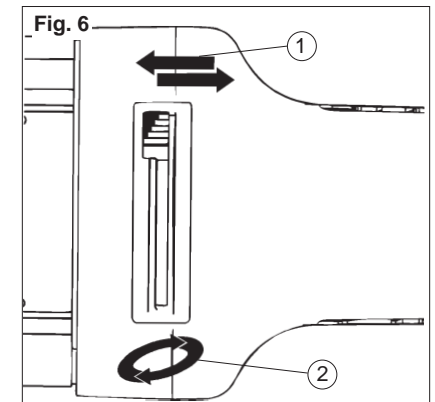
Si el mango no puede asegurarse en su posición, no opere la Sawzall®. Devuelva la Sawzall® a un centro de servicio Milwaukee inmediatamente para que la reparen.

Iniciando, frenando y controlando la velocidad

1. Para **arrancar** la herramienta, sujétela firmemente de la empuñadura y oprima el gatillo.
2. Para **detener** la herramienta, suelte el gatillo. Permita que la herramienta llegue a detenerse por completo antes de sacarla de un corte parcial o de dejarla sin usar.

Interruptor de control de órbita

El Sawzall® Orbital viene equipado con un interruptor de control de órbita. Se puede operar la herramienta con un movimiento de vaivén recto (no orbital) u orbital. Cuando se necesita un corte parejo se debe usar un movimiento de vaivén recto. Se recomienda un movimiento orbital para cortes rápidos y agresivos. El usuario mismo debe concluir cuál es el movimiento orbital óptimo para el tipo de corte que desea.



1. Para un movimiento de vaivén recto, mueva el interruptor de control de órbita a la posición del símbolo de corte recto (1).
2. Para un movimiento orbital, mueva el interruptor de control de órbita hacia la posición del símbolo de corte orbital (2).

El movimiento orbital se puede ajustar moviendo el interruptor de control de órbita a cualquier posición entre los dos símbolos. Para un movimiento orbital más amplio, mueva el interruptor de control de órbita a una posición más cercana al símbolo de corte orbital (2). Si desea un movimiento orbital menor, mueva el interruptor de control de órbita a una posición más cercana al símbolo de corte recto (1).

Se puede ajustar el movimiento orbital mientras la herramienta se encuentra operando.

NOTA: El movimiento orbital no funcionará si se instala la cuchilla boca abajo.

Selección del rango de velocidad

Este interruptor controla el máximo de carreras por minuto. La velocidad permanecerá variable e independiente si se controla con el interruptor de gatillo. Refiérase el cuadro para las recomendaciones de velocidades.

MATERIAL	EL INTERRUPTOR*
Acero	2-3
Madera	5
Madera con clavos	5
Acero inoxidable	1-3
Tabla roca	4-5
Fibra de vidrio	1-3
Plásticos	1-3
Hierro forjado	2-3
Metales no ferrosos	2-3

* Esta son solo sugerencias; la velocidad real ideal dependerá de las variaciones en el voltaje, segueta seleccionada y la preferencia del usuario.

Interruptor

Las Sierras Sables (Sawzalls®) de MILWAUKEE están equipados con un interruptor de gatillo para el control de la velocidad. Pueden ser operados a cualquier velocidad o a máxima velocidad. Siempre encienda la herramienta antes de iniciar el corte del material. Para variar la velocidad, simplemente aumente o reduzca la presión en el gatillo. A mayor presión, mayor velocidad. Para detener la herramienta suelte el gatillo y permita que la herramienta pare completamente antes de retirarla del material cortado.

Cortes en general

Para cortes rectos o de contornos iniciando desde una orilla, alíne la segueta con su línea de corte. Antes que la segueta haga contacto con el material, empuñela firmemente y oprima el gatillo. Luego guíela por la línea de corte. Mantenga siempre la zapata apoyada completamente contra el material a cortar, así evitará vibraciones excesivas.

Cortes en metal

Inicie el corte a baja velocidad y aumentela gradualmente conforme avanza en el corte. Cuando se corta metales u otros materiales duros que no pueden ser cortados desde una orilla, taladre una perforación de un diámetro que sea mayor a la parte más ancha de la segueta. Aumente la vida de la segueta usando un lubricante para seguetas como el lubricante.

Cortes penetrantes

El Sawzall® de MILWAUKEE es la herramienta ideal para realizar un corte penetrante directo en superficies que no se pueden comenzar a cortar desde una esquina, como por ejemplo, paredes y pisos. Se recomienda utilizar un movimiento orbital para cortes penetrantes. Un corte penetrante se puede realizar de dos modos distintos según se inserte la hoja. La columna A muestra cómo se hace un corte penetrante con los dientes de la hoja orientados hacia abajo. La columna B muestra cómo se hace un corte penetrante con los dientes de la hoja orientados hacia arriba.

NOTA: El movimiento orbital no funcionará si se instala la cuchilla boca abajo.

No haga cortes penetrantes en superficies metálicas (véase Cortes de Metales).



ADVERTENCIA

Para reducir el riesgo de explosión, descarga eléctrica y daños en otra propiedad, inspeccione siempre el área de trabajo en busca de cables eléctricos ocultos o tuberías, especialmente cuando haga cortes "ciegos" o interiores.

Fig. 7 Cat. No. 6523-21

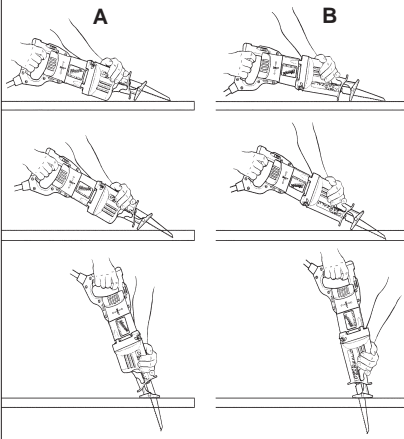
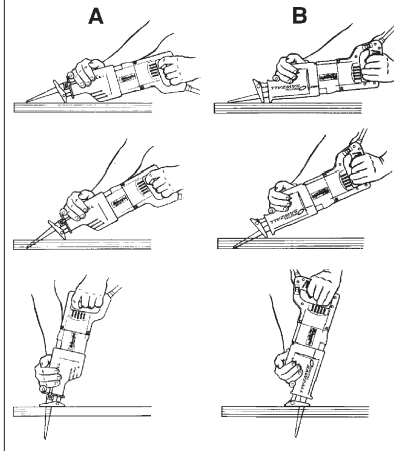


Fig. 8 Cat. No. 6520-21, 6536-21, y 6538-21



- Coloque la segueta en la herramienta. Si colocó la segueta con los dientes hacia abajo, sujete la sierra como se ilustra en la Columna A, descansando el resto de la zapata sobre el material. Si se colocó la segueta con los dientes hacia arriba, sujete la sierra como se ilustra en la Columna B, descansando el resto de la zapata sobre el material.
- Con la segueta solo rozando la superficie del material, oprima el gatillo. Usando el extremo de la zapata como pivote, baje la segueta sobre el material como se ilustra.
- Conforme la segueta empieza a cortar, levante el mango de la sierra hasta que la zapata descansa firmemente en la superficie. Luego guíe la herramienta por la línea de corte deseada para hacer el corte.

NOTA: Para realizar los cortes interiores más fácilmente, use una segueta de calibre grueso e instale la segueta con los dientes hacia arriba como se ilustra en la Columna B.

ACCESORIOS



ADVERTENCIA

Para reducir el riesgo de lesiones, siempre extraiga la batería antes de cambiar o retirar accesorios. Utilice únicamente accesorios específicamente recomendados para esta herramienta. El uso de accesorios no recomendados podría resultar peligroso.

Para una lista completa de accesorios, refiérase a su catálogo MILWAUKEE Electric Tool o visite nuestro sitio en Internet: www.milwaukeetool.com. Para obtener un catálogo, contacte su distribuidor local o uno de los centros de servicio listos en la página de cubierta de este manual.

Cables de cambio rápido (Quik-Lok)
305 cm Quik-Lok Cat. No. 48-76-5010
762 cm Quik-Lok Cat. No. 48-76-5025

Estuche portátil
Cat. No. 48-55-2055

Sistema orbital de abrazadera de tubo
Cat. No. 49-22-1016

Adaptó juego de abrazadera de hoja
Cat. No. 49-22-5016

Vea página 38 & 39 por Seguetas Bi-Metálicas Sawzall®.

MANTENIMIENTO



ADVERTENCIA

Para reducir el riesgo de lesiones, desconecte siempre la herramienta antes de darle cualquier mantenimiento. Nunca desarme la herramienta ni trate de hacer modificaciones en el sistema eléctrico de la misma. Acuda siempre a un Centro de Servicio MILWAUKEE para TODAS las reparaciones.

Mantenimiento de las herramientas

Adopte un programa regular de mantenimiento y mantenga su herramienta en buenas condiciones. Antes de usarla, examine las condiciones generales de la misma. Inspeccione guardas, interruptores, el cable de la herramienta y el cable de extensión. Busque tornillos sueltos o flojos, defectos de alineación y dobleces en partes móviles, así como montajes inadecuados, partes rotas y cualquier otra condición que pueda afectar una operación segura. Si detecta ruidos o vibraciones anormales, apague la herramienta de inmediato y corrija el problema antes de volver a usarla. No utilice una herramienta dañada. Colóquela una etiqueta que diga "NO DEBE USARSE" hasta que sea reparada (vea "Reparaciones").

Bajo condiciones normales, no se requiere lubricación hasta que haya que cambiar los carbones. Después de 6 meses a un año, dependiendo del uso dado, envíe su herramienta al Centro de Servicio MILWAUKEE más cercano para que le hagan:

- Lubricación
- Inspección y cambio de carbones
- Inspección mecánica y limpieza (engranes, flechas, baleros, carcarza, etc.)
- Inspección eléctrica (interruptor, cable, armadura, etc.)
- Probarla para asegurar una operación mecánica y eléctrica adecuada.



ADVERTENCIA

Para reducir el riesgo de lesiones, descarga eléctrica o daño a la herramienta, nunca la sumerja en líquidos ni permita que estos fluyan dentro de la misma.

Limpieza

Limpie el polvo y suciedad de las ventilas. Mantenga las empuñaduras de la herramienta limpias, secas y libres de aceite y grasa. Use sólo jabón neutro y un trapo húmedo para limpiar su herramienta ya que algunas sustancias y disolventes limpiadores pueden ocasionar daños a materiales plásticos y partes aislantes. Algunos de estos incluyen: gasolina, trementina, diluyente para barniz, diluyente para pintura, disolventes limpiadores clorados, amoníaco, y detergentes caseros que contengan amoníaco.

Reparaciones

Si su instrumento se daña, vuelva el instrumento entero al más cercano centro de reparaciones.

GARANTÍA LIMITADA DE CINCO AÑOS

Se garantiza al comprador original que ninguna de las herramientas eléctricas MILWAUKEE (incluidos el producto, la herramienta, las baterías, el cargador, y las lámparas de trabajo-linternas inalámbricas) presentan defectos en material ni mano de obra. En un plazo de cinco (5) años a partir de la fecha de compra y sujeto a ciertas excepciones, MILWAUKEE reparará o reemplazará cualquier parte de una herramienta eléctrica que, luego de ser examinada, MILWAUKEE compruebe que presenta defectos en material o mano de obra. Devuelva la herramienta, con gastos de envío prepagados y asegurada, y un comprobante de compra a un centro de mantenimiento de la fábrica MILWAUKEE o a un centro de reparaciones autorizado por MILWAUKEE. Esta garantía no se aplica a los daños que MILWAUKEE establezca que fueron ocasionados por reparaciones o intentos de reparación por parte de personal no autorizado por MILWAUKEE, uso indebido, alteraciones, abuso, desgaste y deterioro normal, falta de mantenimiento o accidentes.

*Todas las baterías de IONES DE LITIO con tecnología V™ (V18™ & V28™) de MILWAUKEE y las baterías de IONES DE LITIO de M18 XC cuentan con una garantía de cinco (5) años o de 2 000 cargas, lo que ocurra primero, a partir de la fecha de compra. Las primeras 1 000 cargas o 2 años de garantía, lo que ocurra primero, están cubiertos con el reemplazo gratuito de la batería defectuosa. Esto significa que tras las primeras 1 000 cargas o los primeros dos (2) años a partir de la fecha de compra/el primer cambio, se le ofrecerá una batería de repuestos al cliente por cualquier batería defectuosa sin cargo. A partir de ese momento, las cargas restantes hasta llegar a las 2 000 o el tiempo restante del período de cinco (5) años desde el momento de la compra, lo que ocurra primero, estarán cubiertos por un prorrateo. Esto significa que cada consumidor obtiene una garantía prorrateada de 1 000 cargas adicionales o tres (3) años por la batería de IONES DE LITIO con tecnología V™ y la batería de IONES DE LITIO M18 XC según el uso.

*El período de la garantía para el RESTO de las baterías de IONES DE LITIO es de dos (2) años a partir de la fecha de compra.

*El período de la garantía para el láser con dos rayos M12 y el puerto de alimentación M12, las baterías de níquel-cadmio, las radios para la obra y las carretillas de trabajo industrial Trade Titan™ es de un (1) año a partir de la fecha de compra.

No se necesita registro de garantía para obtener la garantía correspondiente de los productos MILWAUKEE. La fecha de fabricación del producto se utilizará para determinar el período de garantía si no se presenta un comprobante de compra en el momento en que se solicita el servicio de garantía.

LA ACEPTACIÓN DE LOS DERECHOS A REPARACIÓN Y REEMPLAZO EXCLUSIVAMENTE DESCRITOS EN EL PRESENTE DOCUMENTO CONSTITUYE UNA CONDICIÓN DEL CONTRATO POR LA COMPRA DE CADA PRODUCTO MILWAUKEE. SI NO ACEPTA ESTA CONDICIÓN, NO DEBE COMPRAR EL PRODUCTO. MILWAUKEE NO SERÁ EN NINGÚN CASO RESPONSABLE DE DAÑOS INCIDENTALES, ESPECIALES, CONSECUENTES O PUNITIVOS, NI DE COSTOS, HONORARIOS DE ABOGADOS, GASTOS, PÉRDIDAS O DEMORAS SUPUESTAMENTE CAUSADOS COMO CONSECUENCIA DE CUALQUIER DAÑO, FALLA O DEFECTO EN CUALQUIER PRODUCTO, INCLUIDOS, A MODO DE EJEMPLO, RECLAMOS POR PÉRDIDA DE GANANCIAS. ESTA GARANTÍA ES EXCLUSIVA Y SUSTITUYE A TODA OTRA GARANTÍA O CONDICIÓN, ESCRITA U ORAL, EXPRESA O IMPLÍCITA. SIN LIMITAR LA GENERALIDAD DE LO ANTES MENCIONADO, MILWAUKEE SE EXIME DE TODA GARANTÍA IMPLÍCITA DE COMERCIABILIDAD O IDONEIDAD PARA UN USO O PROPÓSITO EN PARTICULAR Y DE CUALQUIER OTRA GARANTÍA.

Esta garantía se aplica únicamente a los productos vendidos en E.U.A., Canadá y México.

Consulte el sitio web de MILWAUKEE, www.milwaukeetool.com, o llame al 1.800.SAWDUST (1.800.729.3878) para identificar el centro de servicio más cercano a fin de obtener servicio de garantía y fuera de garantía de una herramienta eléctrica de MILWAUKEE.

Sawzall Blades
Lames Sawzall Bimétalliques
Seguetas Bi-Metálicas Sawzall

All blades have 1/2" universal tang.
 Toutes lames ont 13 mm (1/2") tang universel.
 Todas hojas tienen 13 mm (1/2") espiga universal.

• Cat. No. 5 per pouch	• Cat. No. 2 per pouch	• Teeth Per Inch /25 mm • Dents/25 mm (1") • Dientes x 25 mm	Length x Width		
• No de Cat. 5 par sachet	• No de Cat. 2 par sachet		Longueur x Largeur		
• Cat. No. 5 por sobre	• Cat. No. 2 por sobre		Largo x Ancho		
			Inches	/	mm

Wood Cutting Blades • Lames à Couper Le Bois • Seguetas Para Cortar Madera



For cutting wood, nail-embedded wood, composition materials.
 Coupe de bois, bois cloué, agglomérés.
 Para cortar madera, madera con clavos y materiales compuestos.

48-01-5011	48-02-5011	6	4 x 3/4	102 x 19
48-01-5012	48-02-5012	6	6 x 3/4	152 x 19

Wood Cutting Blades • Lames À Couper Le Bois • Seguetas Para Cortar Madera



For cutting wood, nail-embedded wood, general roughing-in, all purpose. Coupe de bois, bois cloué, dégrossissage général, tout usage. Para cortar madera, madera con clavos, cortes en general en bruto.

48-01-5031	48-02-5031	5/8	6 x 3/4	152 x 19
48-01-5035	48-02-5035	6	6 x 3/4	152 x 19
48-01-5036	48-02-5036	6	9 x 3/4	229 x 19
48-01-5037	48-02-5037	6	12 x 3/4	305 x 19
48-01-5041	48-02-5041	4/6	6 x 1/2	152 x 13

Plaster Cutting Blade • Lame À Couper Le Plâtre • Seguetas Para Cortar Materiales Emplastados



For cutting plaster with metal lath.
 Coupe de plâtre et lattis métallique.
 Para cortar emplastados con respaldo de metal.

48-01-5052	48-02-5052	6	5 x 3/4	127 x 19
------------	------------	---	---------	----------

All Purpose Blades • Lames Tout Usage • Seguetas Para Cortes En General



For cutting wood, nail-embedded wood, plastics, fiberglass, metals, cast iron. Pour coupe de bois, bois cloué, plastique, fibre de verre, métaux et fonte. Para cortar madera, madera con clavos, plasticos, fibra de vidrio, metales y hierro.

48-01-5090	48-02-5090	10	4 x 3/4	102 x 19
48-01-5092	48-02-5092	10	6 x 3/4	152 x 19
48-01-5091	48-02-5091	8/12	6 x 3/4	152 x 19
48-01-5093	48-02-5093	8/12	8 x 3/4	203 x 19
48-01-5094	48-02-5094	8/12	12 x 3/4	305 x 19
48-01-5193	48-02-5193	10/14	8 x 5/8	203 x 16
48-01-5194	48-02-5194	10/14	12 x 5/8	305 x 16

• Cat. No. 5 per pouch	• Cat. No. 2 per pouch	• Teeth Per Inch • Dents/25 mm (1") • Dientes x 25 mm	Length x Width		
• No de Cat. 5 par sachet	• No de Cat. 2 par sachet		Longueur x Largeur		
• Cat. No. 5 por sobre	• Cat. No. 2 por sobre		Largo x Ancho		
			Inches	/	mm

Metal Scroll Cutting Blades • Lame Pour Tailler Et Découper Dans Le Métal



• **Seguetas Para Calar En Metal**
 For cutting metal, scroll cutting.
 Pour tailler et découper dans le métal.
 Para cortar metal, en cortes calados.

48-01-5161	48-02-5161	10	3-5/8 x 5/16	92 x 8
48-01-5162	48-02-5162	14	3-5/8 x 5/16	92 x 8
48-01-5163	48-02-5163	18	3-5/8 x 5/16	92 x 8

Metal Cutting Blades • Lames à Métal • Seguetas Para Cortar Metal



For heavy gauge metal, fiberglass.
 Métaux épais, fibre de verre.
 Para metal de calibres gruesos y fibra de vidrio.

48-01-5181	48-02-5181	14	4 x 3/4	102 x 19
48-01-5182	48-02-5182	14	6 x 3/4	152 x 19
48-01-5282	48-02-5282	14	6 x 5/8	152 x 16
48-01-5187	48-02-5187	14	9 x 3/4	229 x 19
48-01-5183	48-02-5183	18	4 x 3/4	102 x 19
48-01-5184	48-02-5184	18	6 x 3/4	152 x 19
48-01-5284	48-02-5284	18	6 x 5/8	152 x 16
48-01-5188	48-02-5188	18	9 x 3/4	229 x 19
48-01-5189	48-02-5189	18	12 x 3/4	305 x 19
48-01-5185	48-02-5185	24	4 x 3/4	102 x 19
48-01-5186	48-02-5186	24	6 x 3/4	152 x 19
48-01-5286	48-02-5286	24	6 x 5/8	152 x 16

Ax Blades • Ax Baldes • Hojas Ax

Thicker extra wide blades for plunge cutting and demolition work. Lames extra larges et plus épaisses pour coupes en plongée et travaux de démolition. Hojas extra anchas y más gruesas para cortes penetrantes y tareas de demolición.



48-00-5021	--	5/8	6 x 1	152 x 25
48-00-5026	--	5/8	9 x 1	229 x 25
48-00-5027	--	5/8	12 x 1	305 x 25

Torch Blades • Torch Blades • Hojas Torch



Thicker, extra wide blades for metal cutting. Lames extra larges et plus épaisses pour coupe du métal. Hojas extra anchas y más gruesas para cortes de metales.

48-00-5700	48-00-8700	8	6 x 1	152 x 25
48-00-5705	48-00-8705	8	9 x 1	229 x 25
48-00-5710	48-00-8710	8	12 x 1	305 x 25
48-00-5712	--	10	6 x 1	152 x 25
48-00-5713	--	10	9 x 1	229 x 25
48-00-5782	--	14	6 x 1	152 x 25
48-00-5787	--	14	9 x 1	229 x 25
48-00-5784	--	18	6 x 1	152 x 25
48-00-5788	--	18	9 x 1	229 x 25
48-00-5789	--	18	12 x 1	305 x 25

UNITED STATES - MILWAUKEE Service

MILWAUKEE prides itself in producing a premium quality product that is NOTHING BUT HEAVY DUTY®.

Your satisfaction with our products is very important to us! If you encounter any problems with the operation of this tool, or you would like to locate the *factory Service/Sales Support Branch* or *authorized service station* nearest you, please call...

1-800-SAWDUST

(1.800.729.3878)

Monday-Friday

7:00 AM - 6:30 PM

Central Time

or visit our website at

www.milwaukeetool.com

For service information, use the 'Service Center Search' icon found in the 'Parts & Service' section.

Additionally, we have a nationwide network of *authorized* Distributors ready to assist you with your tool and accessory needs. Check your "Yellow Pages" phone directory under "Tools-Electric" for the names & addresses of those nearest you or see the 'Where To Buy' section of our website.

Contact our Corporate After Sales Service Technical Support about ...

- Technical Questions
- Service/Repair Questions
- Warranty

call: 1-800-SAWDUST

fax: 1.800.638.9582

email: metproductsupport@milwaukeetool.com

Register your tool online at www.milwaukeetool.com and...

- receive important notifications regarding your purchase
- ensure that your tool is protected under the warranty
- become a HEAVY DUTY club member

Canada - Service MILWAUKEE

MILWAUKEE est fier de proposer un produit de première qualité NOTHING BUT HEAVY DUTY®.

Votre satisfaction est ce qui compte le plus!

En cas de problèmes d'utilisation de l'outil ou pour localiser le centre de service/ventes ou le *centre d'entretien* le plus proche, appelez le...

416.439.4181

fax: 416.439.6210

Milwaukee Electric Tool (Canada) Ltd

755 Progress Avenue

Scarborough, Ontario M1H 2W7

Notre réseau national de distributeurs *agréés* se tient à votre disposition pour fournir l'aide technique, l'outillage et les accessoires nécessaires. Composez le 416.439.4181 pour obtenir les noms et adresses des revendeurs les plus proches ou bien consultez la section «Où acheter» sur notre site web à l'adresse

www.milwaukeetool.com

MEXICO - Soporte de Servicio MILWAUKEE

Herramientas Alerka

Dr. Andrade 140 Local B, Col. Doctores

Delegación Cuauhtemoc, México D.F.

Teléfono sin costo 01 800 832 1949

www.ttigroupmexico.com

Adicionalmente, tenemos una red nacional de distribuidores autorizados listos para ayudarle con su herramienta y sus accesorios. Por favor, llame al 01 800 832 1949 para obtener los nombres y direcciones de los más cercanos a usted, o consulte la sección 'Where to buy' (Dónde comprar) de nuestro sitio web en

www.ttigroupmexico.com

Registre su herramienta en línea, en www.ttigroupmexico.com y...

- reciba importantes avisos sobre su compra
- asegúrese de que su herramienta esté protegida por la garantía
- conviértase en integrante de Heavy Duty

MILWAUKEE ELECTRIC TOOL CORPORATION
13135 West Lisbon Road • Brookfield, Wisconsin, U.S.A. 53005