



**LUNA SOLAR LIGHT
UPSCALE SOLAR PATH LIGHT
With GS Solar LED Light Bulb**

US Patent # 7172307

US Patent # 9458970

Instruction Manual

Model: GS-57B



This product is covered under warranty for a 2 years period.

In order to make sure that you will be covered, please activate your warranty by filling out all the information needed with the proof of purchase in the link below.

www.gamasonic.com/warranty

Introduction

Thank you for your purchase. GAMA SONIC® solar-charged accent lighting eliminates the problems associated with most solar lighting available today. GAMA SONIC® solar-charged lights are brighter and last all night with a typical solar charge. Unique design, superior light output and numerous installation options confirm the outstanding value of our product.

GAMA SONIC® has been recognized as a worldwide leader in the lighting industry for over 20 years. The company also offers unique multi-purpose rechargeable products that range from fans with built in radios to emergency lighting products.

For technical assistance and more information call our Toll Free number:
1-800-835-4113 (only within the US)

Visit our website or download the latest version of your instruction manual:
www.gamasonic.com or www.gamasonic.com/user-guides

Please read the instruction manual carefully to obtain the best results from your purchase.

Solar Garden Pathway Light Location:

For optimum light duration throughout the night, it is very important to place your solar light in a spot where it will receive the maximum amount of direct sunlight throughout the day.

Note: *The unit will operate optimally after 2 full days of charging.*

What's Inside

Open your package and remove the contents. Check to make sure all pieces are present and accounted for.

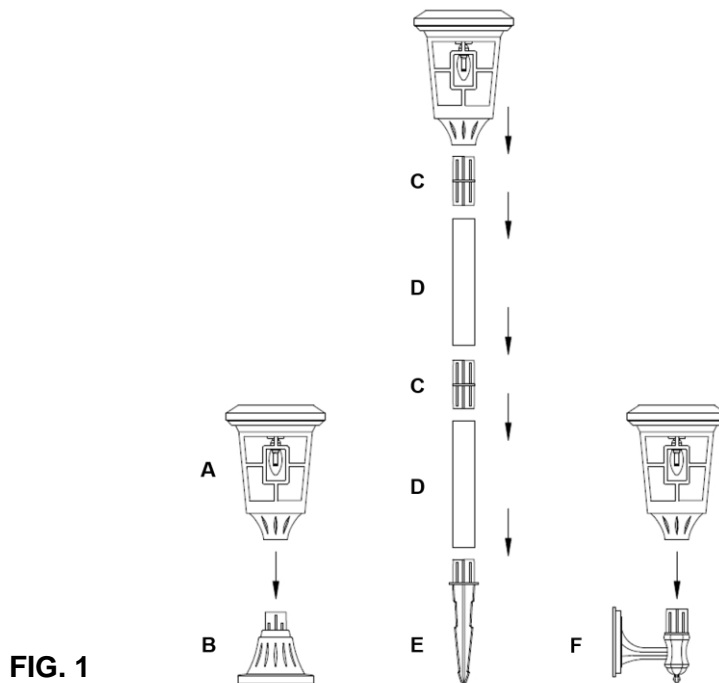
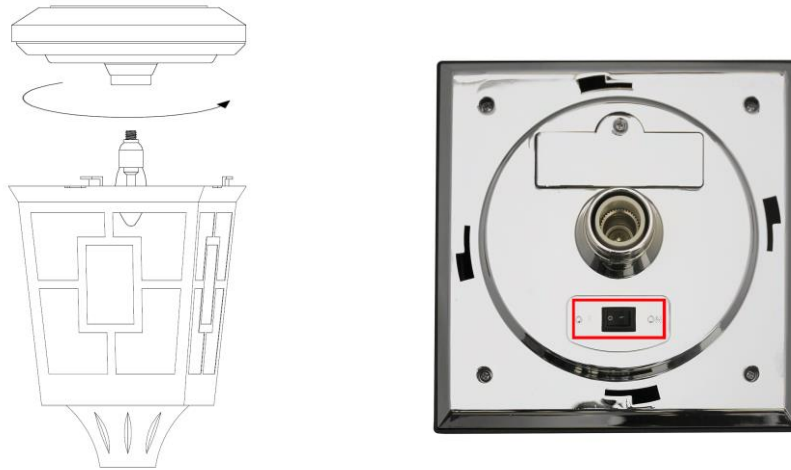


FIG. 1

Operation Instructions

1. Remove the top of the lamp off by twisting it counter-clockwise and lifting it off **(Fig. 2)**.
2. Turn the operation switch to the ON position, the solar light will automatically operate from dusk to dawn.
3. Reassemble the top of the lamp by repeating the first step in reverse.

FIG. 2



Installation Instructions (Fig. 1)

1. Stake Light



- a. Attach the first pole connector (C) to the fixture
- b. Attach a pole section (D) to the pole connector
- c. You can add one more pole section by using the second set of Parts C & D.
- d. Attach the Stake (E) to the pole (D).
- e. Install the light by securing the stake firmly into the ground.

2. Pier Mount



- a. Use an electric drill to make two holes in the desired surface. Place provided anchors into holes, place the base of the lamp (B) in line with the holes and attach with the provided screws.
- b. Attach the fixture (A) to the pier base (B)

3. Wall Bracket



- a. Use an electric drill to make two holes in the wall, place provided anchors into holes, place the wall bracket in line with the holes and attach with the provided screws.
- b. Attach the fixture (A) to the wall bracket (F)

Note: Installing the light on a wall may limit the solar panel for sun exposure. Make sure the lamp is mounted so direct sun exposure is available.

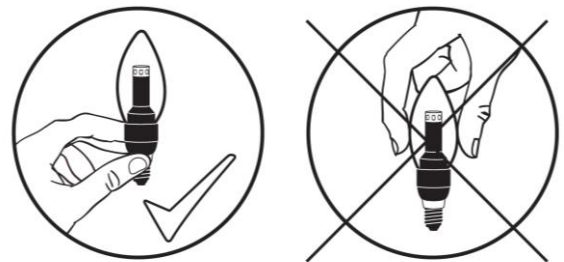
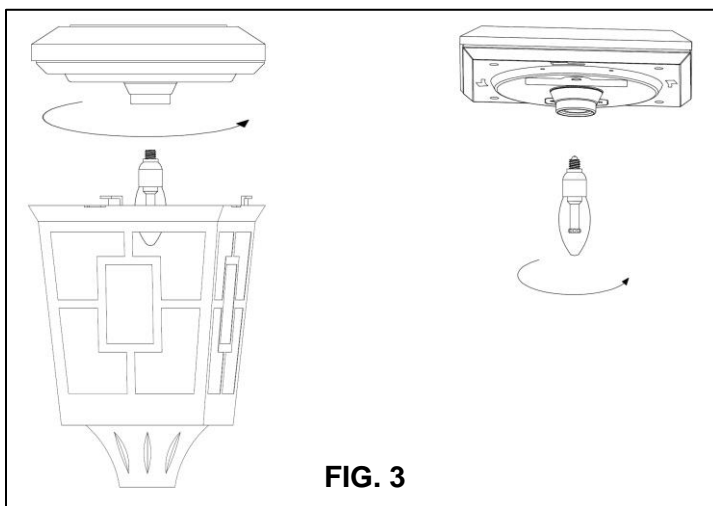
Solar LED Light Bulb Assembly (Fig. 3, Fig.4)

The GS Solar LED Bulb is designed to last up to 10 years, however if it doesn't work, or if you want to use different color temperature bulb, it can be easily replaced.

1. Detach the top of the lamp top by turning it counter-clockwise. Make sure the ON/OFF switch is in the OFF position.
2. Remove (if needed) the existing bulb by turning it counterclockwise.
3. Install the new GS Solar LED Bulb by turning into the bulb socket clockwise.
4. Reassemble the unit by reversing step 1.

NOTE:

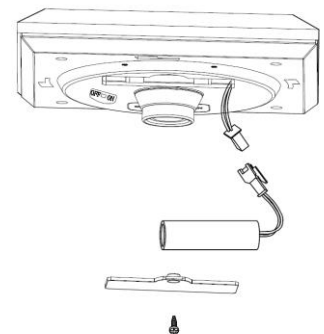
When installing the GS Solar LED Bulb, hold it from its silver base, not by the glass [Fig 4]



Replacing the Batteries (Fig. 5)

After several years of use, the battery may need replacing.

1. Remove the top of the lamp by turning it counter clockwise and lifting it off.
2. Flip the top upside down to expose the battery compartment.
3. Take the battery out of its secured position, and unclip its wire.
4. Clip your new battery in and reinstall the lamp in reverse order.
5. This lamp takes a Li-Ion 3.2V/1,500 mAh battery pack. Extra batteries can be purchased through our authorized dealers or by going to www.gamasonic.com



WARNING: Do not dispose of Li-Ion battery in the regular trash, municipal waste stream or by fire as batteries may leak or explode. Do not open, short circuit, or mutilate batteries as injury may occur. Preserve our environment by recycling Li-Ion batteries or disposing of them in accordance with local, state and federal regulations. Do not mix old and new batteries.

Maintenance

Clean the solar panels regularly with a damp towel to guarantee optimum performance. Do not use any type of solvent for cleaning and be careful not to put too much pressure on the solar panels while cleaning.

Troubleshooting

If your solar charged light does not come on at dusk despite observance of all the instructions, please try the following steps:

1. Make sure that the solar light is not being affected by any other light source.
2. Ensure the solar light is not positioned in the shade during the day.
3. Make sure the switch in the light is the ON position.
4. Check that the batteries are installed correctly.

Note: The performance of the solar light will vary with the time of year. It will deliver more light when it has had a full day in the sun rather than a day in overcast weather.

Wintertime Tips: For optimal performance, be sure to remove any snow or debris accumulation from solar panel(s). A solar panel free of debris will charge the batteries much more efficiently.

WARNING: Please keep out of reach of children.

