

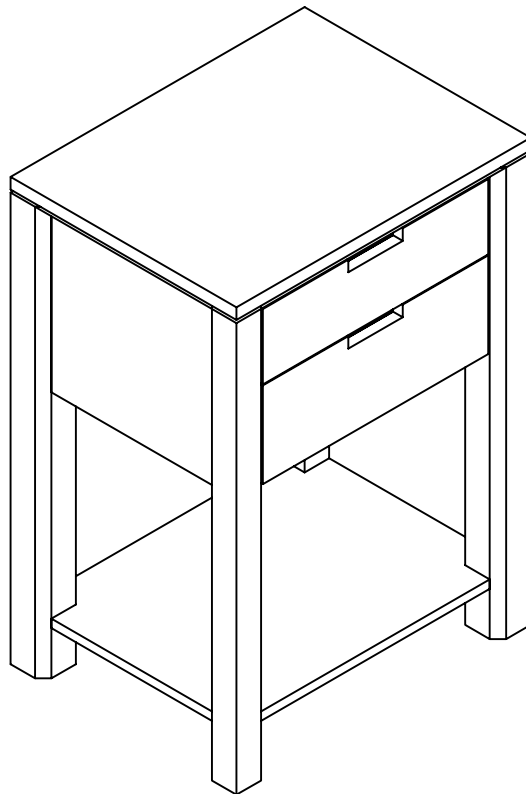
HOME DECORATORS COLLECTION

1002953451

SK18942 MS RILEY SIDE TABLE 30.5"Hx21.2"Wx16.5"D

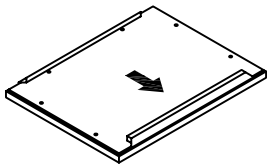
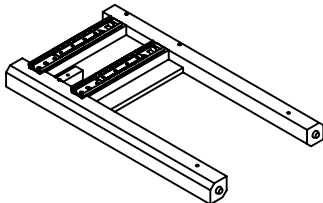
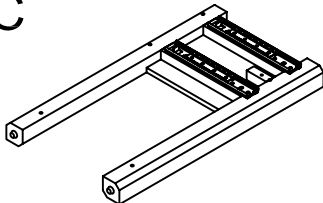
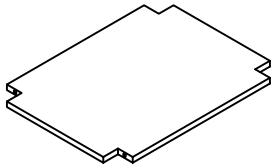
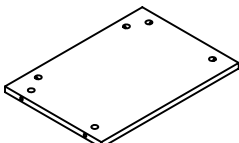
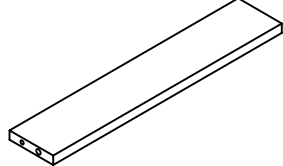
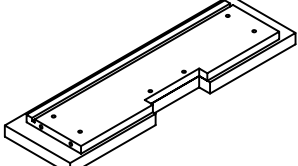
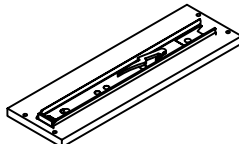
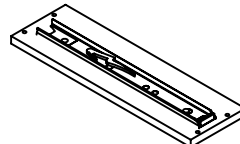
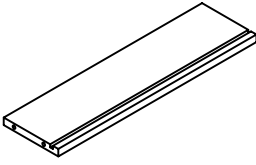
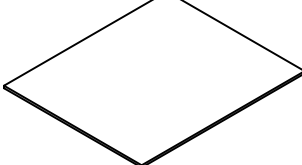
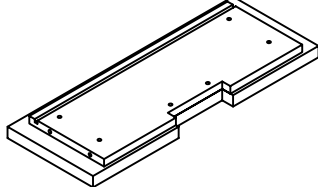
ASSEMBLY INSTRUCTIONS

Made In China

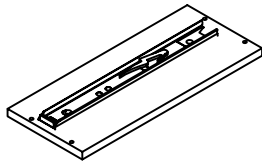


Thank you for purchasing this quality product. Be sure to check all packing material carefully for small parts, which may have come loose inside the carton during shipment. Count all parts and material hardware, then compare with parts list to be sure all parts are present. If any parts are missing or damaged, phone, fax, or mail to our Customer Service Department for efficient and speedy service. Please indicate the model number and code letter of part(s) needed.

IMPORTANT NOTE: Follow instructions listed below in proper sequence as numbered to assure fast, easy and correct assembly.

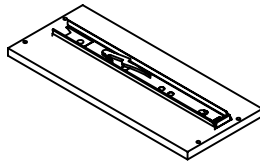
PARTS LIST		
A 	B 	C 
TOP PANEL-1PC	LEFT SIDE FRAME-1PC	RIGHT SIDE FRAME-1PC
D 	E 	F 
BOTTOM PANEL-1PC	BACK PANEL-1PC	CROSS BRACE-1PC
G 	H 	I 
TOP DRAWER FRONT PANEL-1PC	TOP DRAWER LEFT SIDE PANEL-1PC	TOP DRAWER RIGHT SIDE PANEL-1PC
J 	K 	L 
TOP DRAWER BACK PANEL-1PC	DRAWER BOTTOM PANEL-2PCS	BOTTOM DRAWER FRONT PANEL-1PC

M



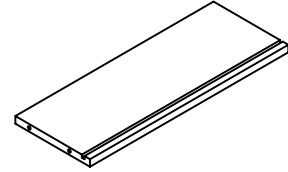
BOTTOM DRAWER LEFT SIDE
PANEL-1PC

N



BOTTOM DRAWER RIGHT
SIDE PANEL-1PC

O



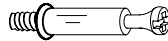
BOTTOM DRAWER BACK
PANEL-1PC

a



WOOD DOWEL-6PCS

b



CAM
LOCK BOLT-16PCS

c



CAM LOCK-16PCS

d



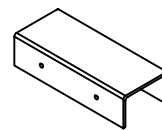
1" L FLAT
HEAD SCREW-16PCS

e

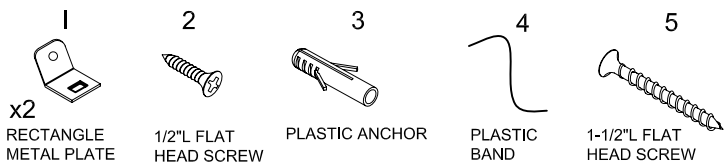


1/2" L FLAT
HEAD SCREW-4PCS

f

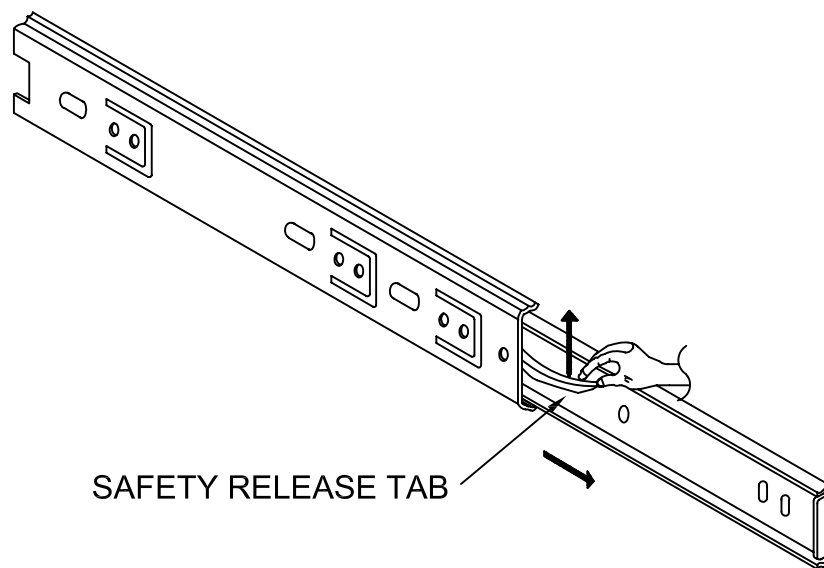


HANDLE-2PCS



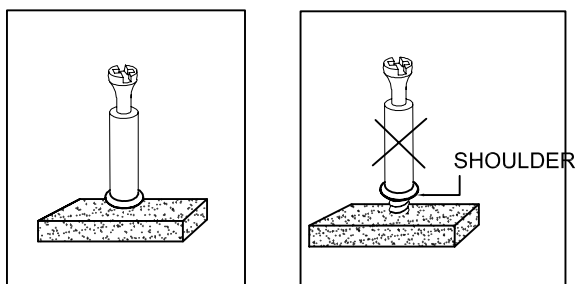
NOTE:THE SURFACE WITH THE STICKER IS THE BACK SIDE

HOW TO SEPARATE GLIDES



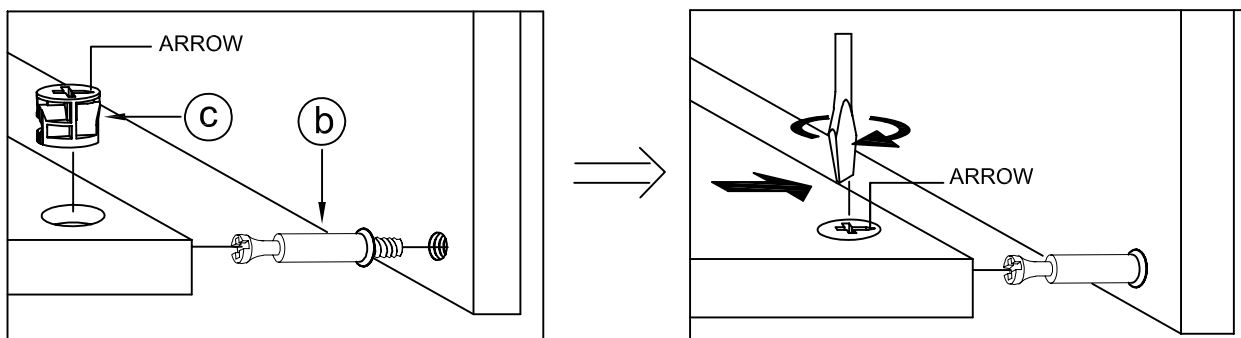
PRIOR TO ASSEMBLY, WE SUGGEST SEPARATING THE INNER GLIDES FROM THE OUTER-GLIDES, SIMPLY PULL THE LEFT/RIGHT INNER GLIDES FROM THE OUTER GLIDES EXPOSING A SMALL BLACK SAFETY RELEASE TAB, BY PUSHING THE SAFETY RELEASE TAB. YOU WILL BE ABLE TO SEPARATE THE GLIDES.

NOTE: • UPON OPENING, THOROUGHLY CLEAN ALL WOOD SURFACES TO REMOVE DUST AND DIRT THAT MAY HAVE SETTLED ONTO THE FINISH DURING SHIPMENT. IN ORDER TO PREVENT DAMAGE DURING ASSEMBLY. PLEASE ASSEMBLE THIS ITEM WITH AT LEAST TWO PEOPLE.



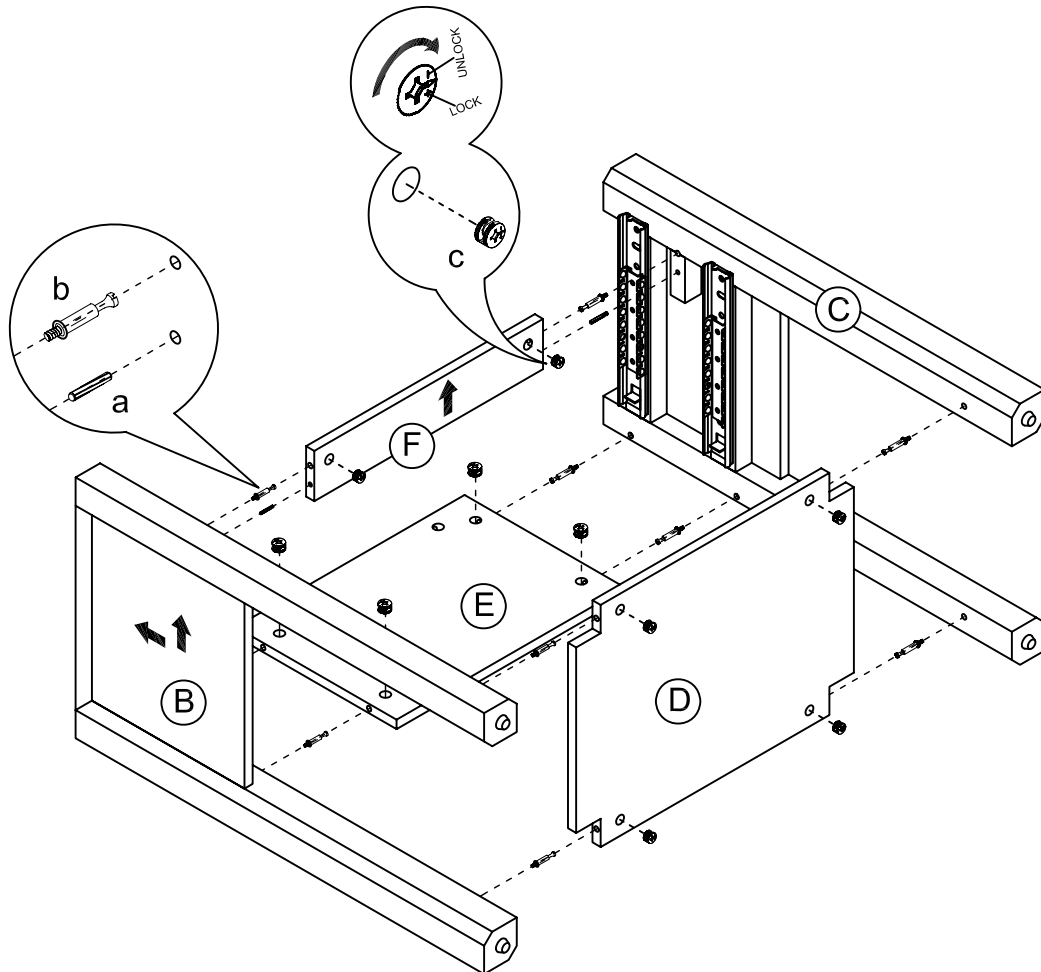
NOTE: TURN THE CAM-BOLT SCREWS UNTIL THEY ARE TIGHT, THE SHOULDER SHOULD BE AGAINST THE SURFACE OF THE PART.

HOW TO USE THE CAM-TOOL



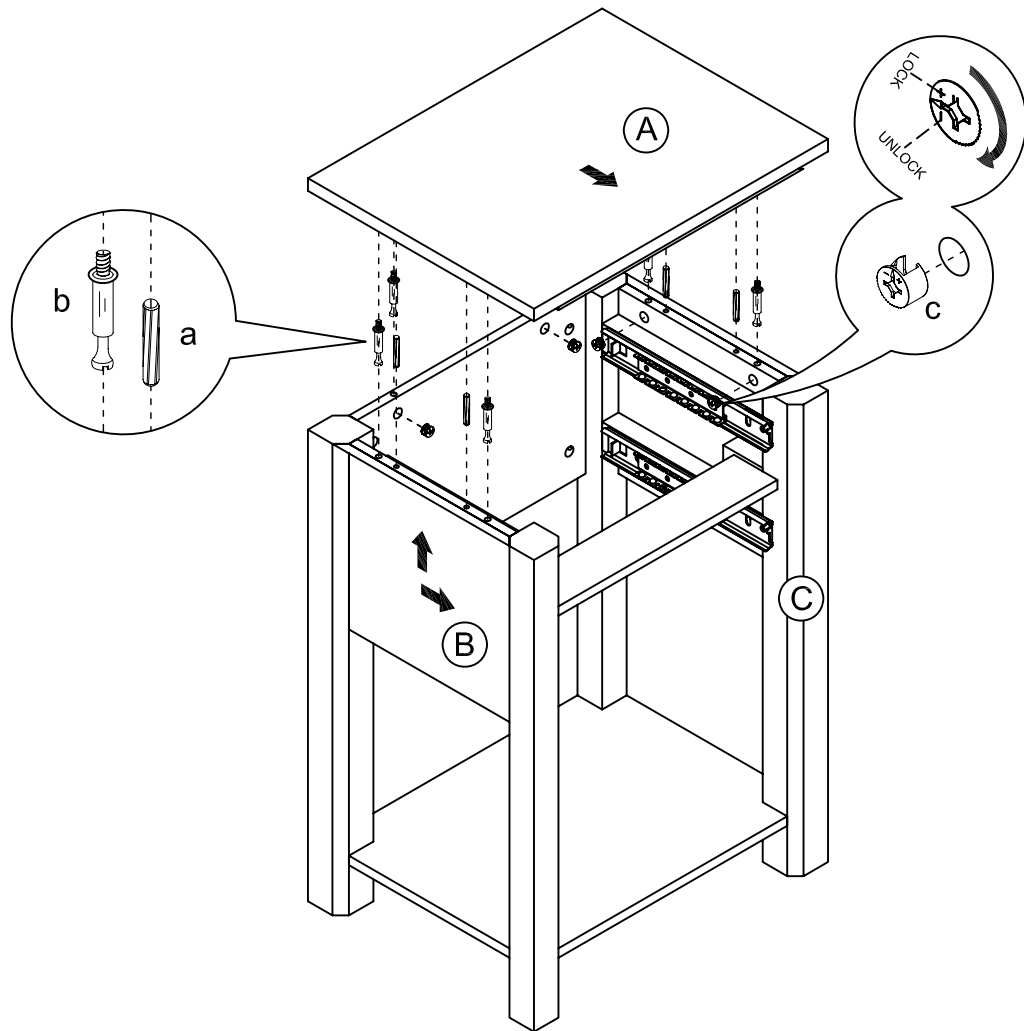
NOTE: • THE ARROWS ON THE HIDDEN CAM-LOCKS SHOULD POINT TO THE CAM-BOLTS.

FIG 1



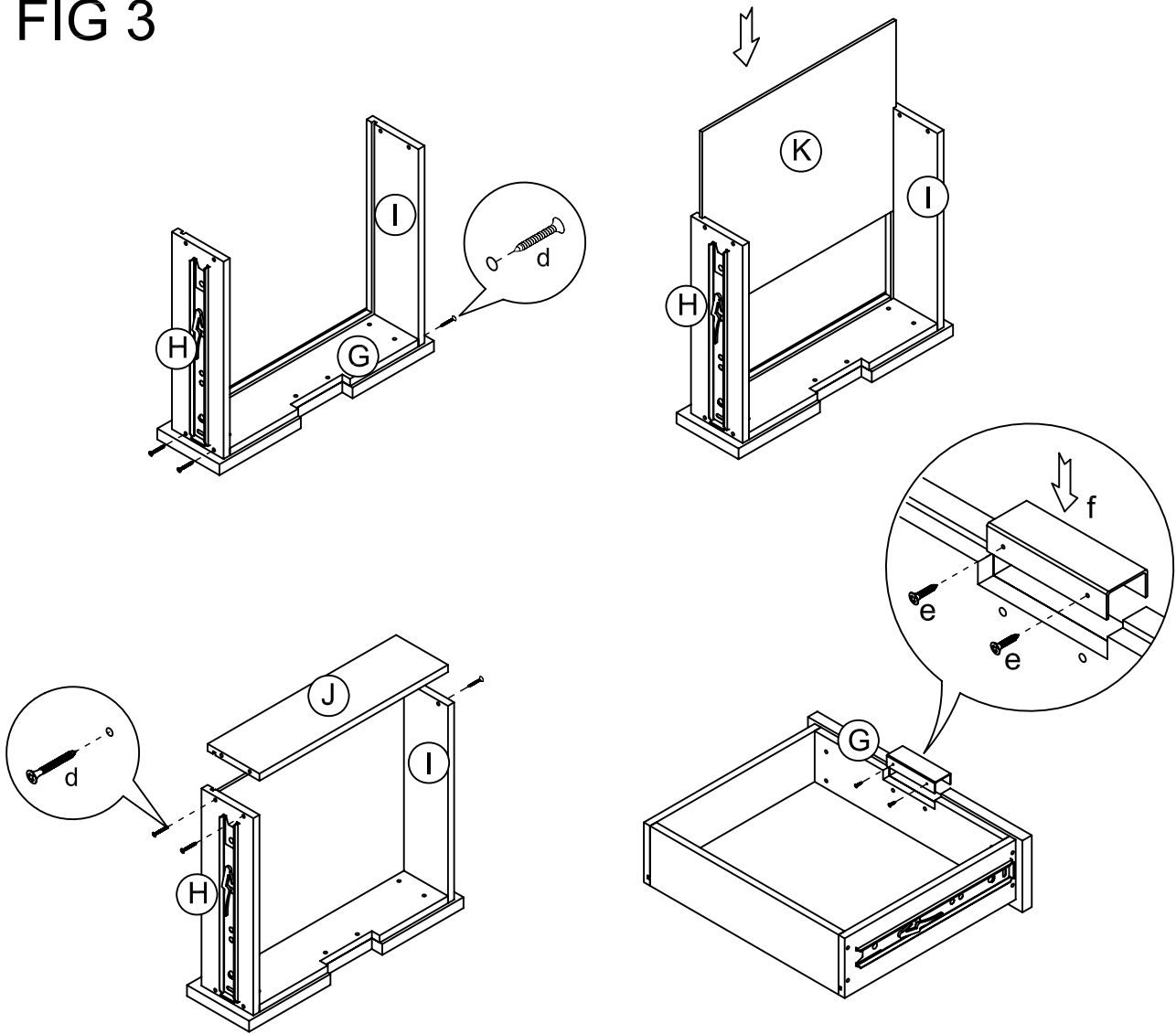
- INSTALL THE WOOD DOWEL (a) AND THE CAM LOCK BOLT (b) INTO THE LEFT SIDE FRAME (B) AND THE RIGHT SIDE FRAME (C) AS SHOWN.
- JOIN THE BACK PANEL (E) AND THE CROSS BRACE (F) AND THE BOTTOM PANEL (D) TO THE LEFT SIDE FRAME (B) AND THE RIGHT SIDE FRAME (C) BY USING THE WOOD DOWEL (a) FIRST.
- TIGHTEN CAM LOCK BOLT (b) WITH THE CAM LOCK (c) IN THE PRE-DRILLED HOLES.

FIG 2



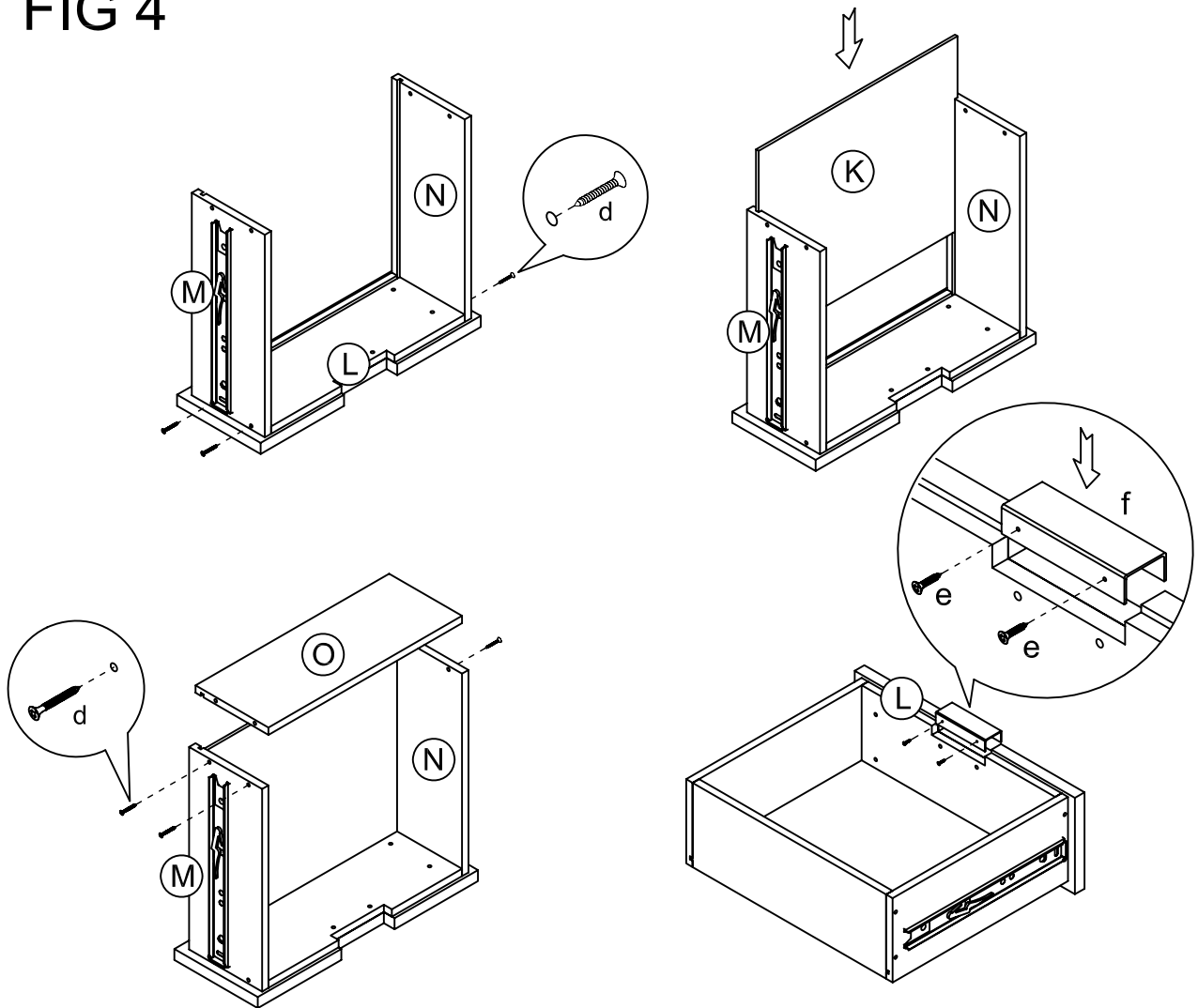
- INSTALL THE WOOD DOWEL (a) AND THE CAM LOCK BOLT (b) INTO THE BOTTOM OF THE TOP PANEL (A).
- JOIN THE TOP PANEL (A) TO THE ASSEMBLED PART BY USING WOOD DOWEL (a) FIRST.
- TIGHTEN CAM LOCK BOLT (b) WITH THE CAM LOCK (c) IN THE PRE-DRILLED HOLES.

FIG 3



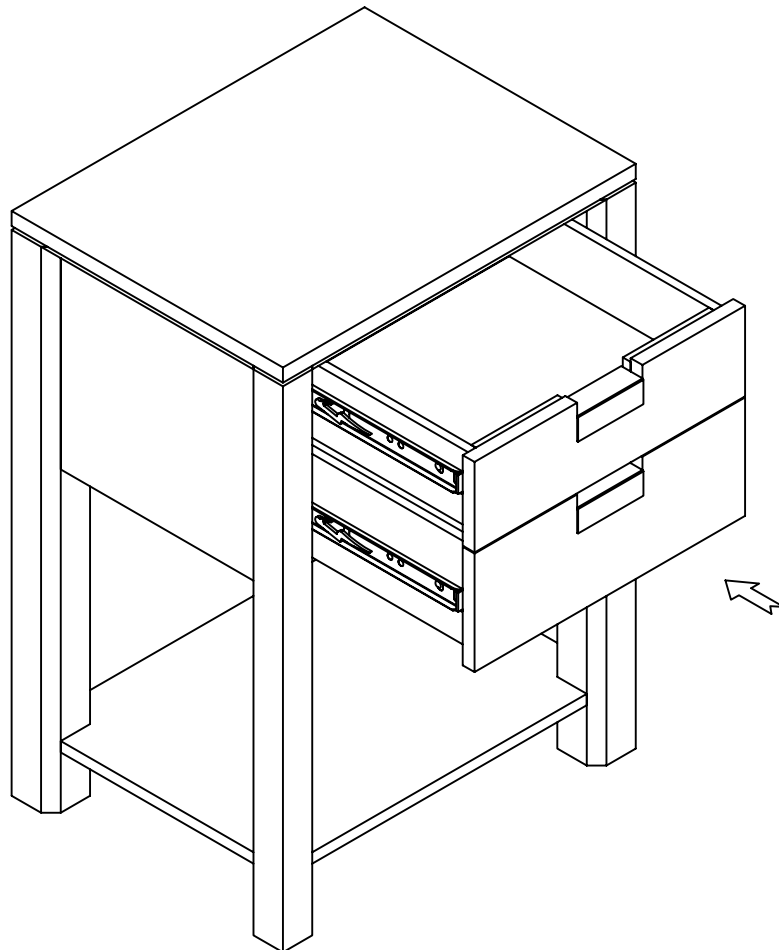
- TIGHTEN THE TOP DRAWER LEFT SIDE PANEL (H) AND THE TOP DRAWER RIGHT SIDE PANEL (I) TO THE TOP DRAWER FRONT PANEL (G) BY USING THE 1" L FLAT HEAD SCREW (d).
- SLIDE THE DRAWER BOTTOM PANEL (K) INTO THE GROOVES ON THE TOP DRAWER LEFT SIDE PANEL (H) AND THE TOP DRAWER RIGHT SIDE PANEL (I).
- JOIN THE TOP DRAWER BACK PANEL (J) TO THE ASSEMBLED DRAWER PART AND TIGHTEN THE TOP DRAWER BACK PANEL (J) BY USING THE 1" FLAT HEAD SCREW (d) THROUGH PRE-DRILLED HOLES ON THE TOP DRAWER SIDE PANELS.
- TIGHTEN THE HANDLE (f) TO THE TOP DRAWER FRONT PANEL (G) BY USING THE 1/2" L FLAT HEAD SCREW (e).

FIG 4



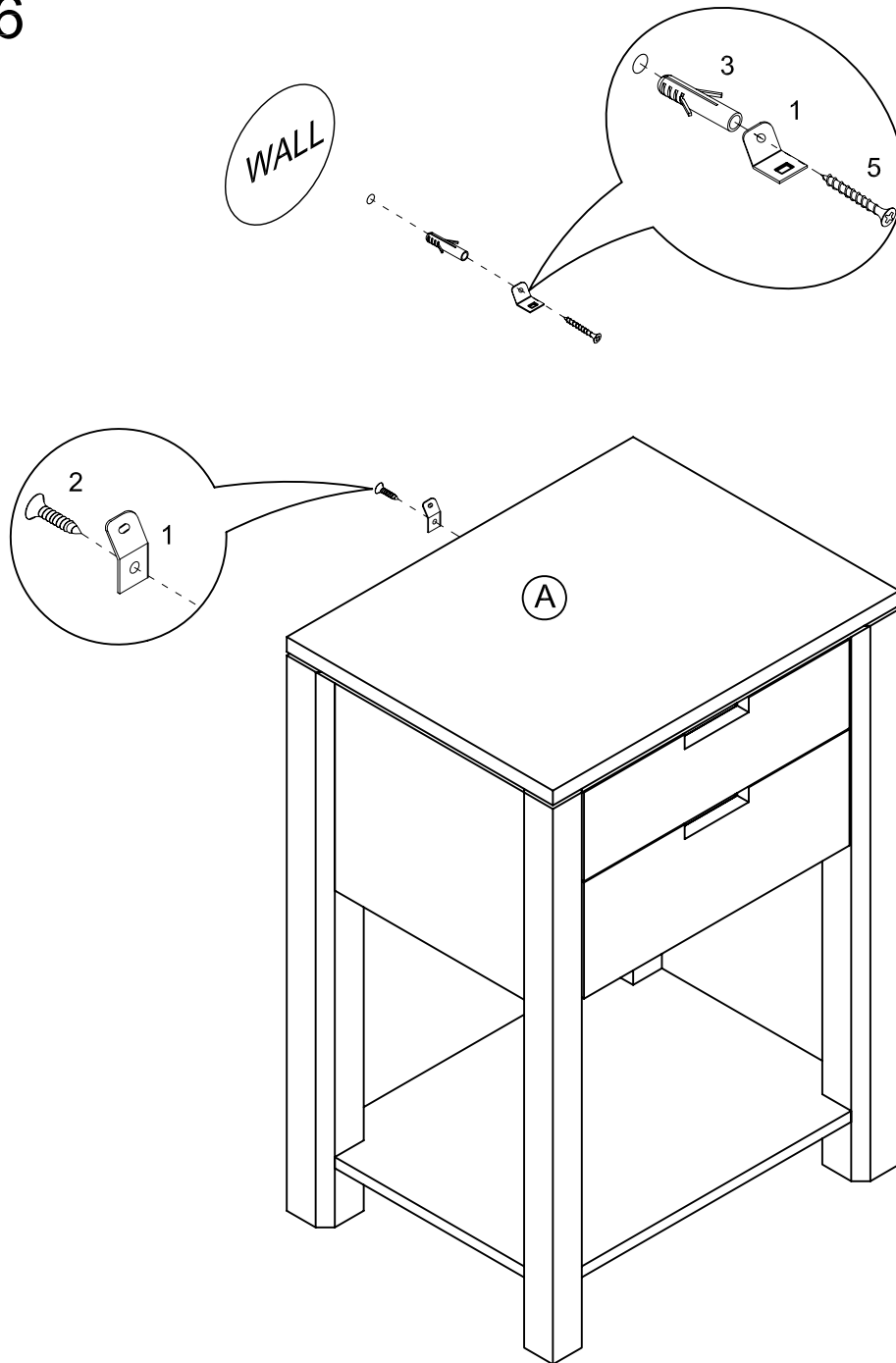
- TIGHTEN THE BOTTOM DRAWER LEFT SIDE PANEL (M) AND THE BOTTOM DRAWER RIGHT SIDE PANEL (N) TO THE BOTTOM DRAWER FRONT PANEL (L) BY USING THE 1" L FLAT HEAD SCREW (d).
- SLIDE THE DRAWER BOTTOM PANEL (K) INTO THE GROOVES ON THE BOTTOM DRAWER LEFT SIDE PANEL (M) AND THE BOTTOM DRAWER RIGHT SIDE PANEL (N).
- JOIN THE BOTTOM DRAWER BACK PANEL (O) TO THE ASSEMBLED DRAWER PART AND TIGHTEN THE BOTTOM DRAWER BACK PANEL (O) BY USING THE 1" FLAT HEAD SCREW (d) THROUGH PRE-DRILLED HOLES ON THE BOTTOM DRAWER SIDE PANELS.
- TIGHTEN THE HANDLE (f) TO THE BOTTOM DRAWER FRONT PANEL (L) BY USING THE 1/2" L FLAT HEAD SCREW (e).

FIG 5



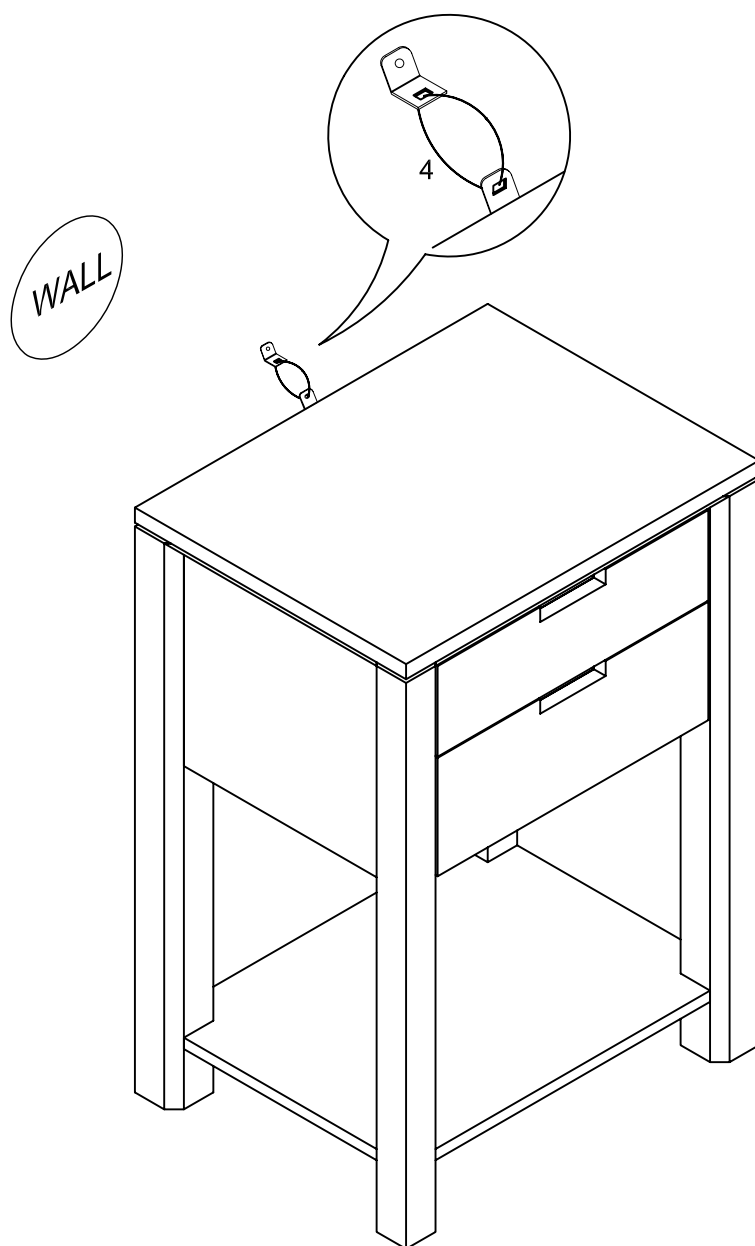
- INSERT ASSEMBLED DRAWERS INTO THE ASSEMBLED PART AS SHOWN.

FIG 6



- TIGHTEN THE RECTANGLE METAL PLATE (1) TO THE REAR OF THE TOP PANEL (A) BY USING 1/2" FLAT HEAD SCREW (2).
- PLACE THE ASSEMBLED CABINET AT THE DESIRED POSITION. MARK THE INSERTION POINTS FOR THE PLASTIC ANCHOR (3).
- USING THE PROPER HARDWARE FOR YOUR WALL TYPE, DRILL 1/4" HOLES INTO THE WALL.
- TIGHTEN THE RECTANGLE METAL PLATE (1) TO THE PLASTIC ANCHOR (3) BY USING THE 1-1/2" FLAT HEAD SCREW (5).

FIG 7



- USING THE PLASTIC BAND (4), CONNECT THE TWO RECTANGLE METAL PLATES (1).