

OVEN FEATURES

| | |
|----------------|-----------------|
| Color | Stainless Steel |
| Cavity Size | 2 |
| TT Diameter | 14.2inch |
| Output (Watts) | 1000W |

POWER / RATINGS / UPC

| | |
|-------------------|-------------|
| Input Volt/Hertz | 120/60 |
| Input Amp / Watts | 14A/1650W |
| Energy Saving | Yes |
| UPC CODE | 04823131899 |

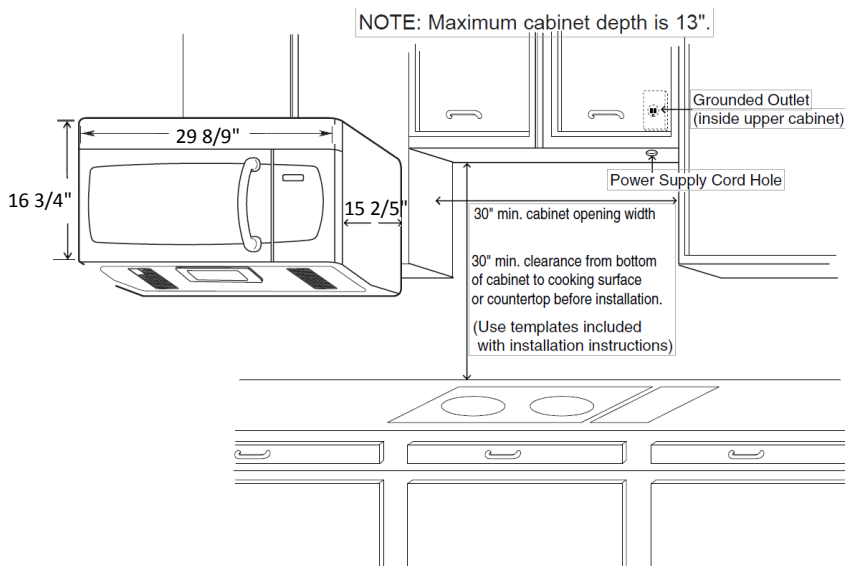


DIMENSIONS / WEIGHT

| | | | |
|-----------------|---------|-----------------|---------|
| Exterior Width | 29 8/9" | Product Depth | 19 3/8" |
| Exterior Depth | 15 2/5" | Product Height | 20 7/8" |
| Exterior Height | 16 3/4" | Net Weight | 73.5lbs |
| Product Width | 33 5/8" | Shipping Weight | 78lbs |

WARRANTY

1 Year Parts and Labor (In Home Service) 10
Years Limited on Magnetron (In Home Service)



Install The Mounting Plate

