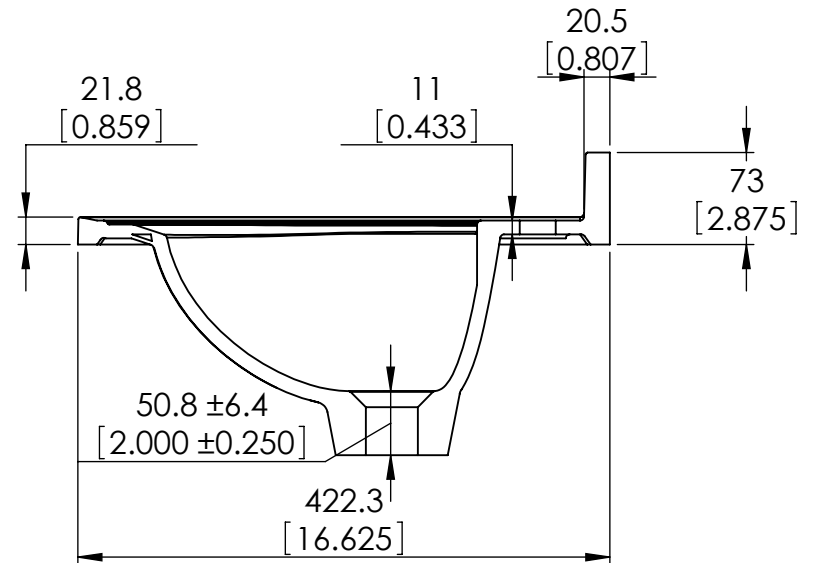
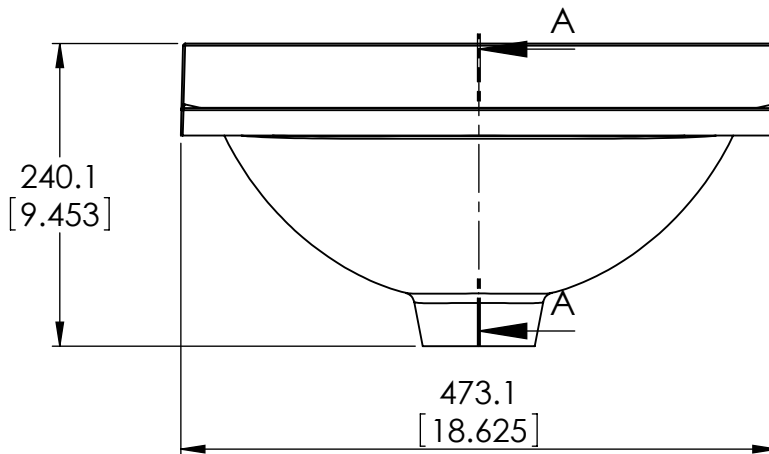
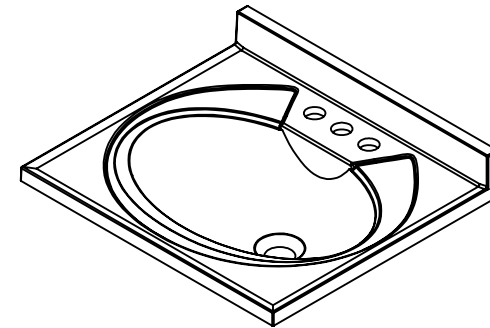
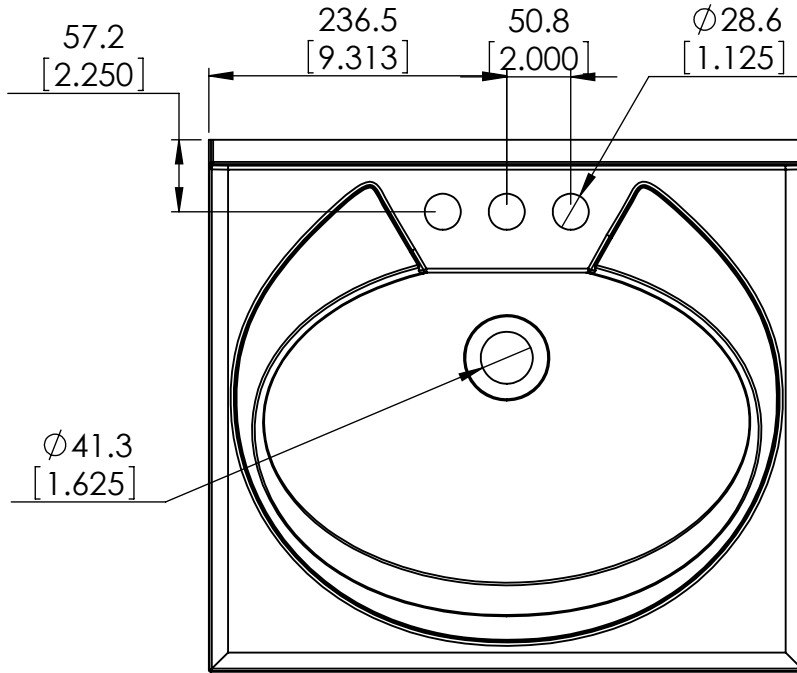


DRAWING TYPE	ITEM ID	ITEM DESCRIPTION	DRAWING STATUS
FINISH GOOD	595001	AB COMPOSITE / WHITE	FOR PRODUCTION
FINISH GOOD	595328	COLOR POINT / MAUI	FOR PRODUCTION

REVISION #	DATE	CHANGE	APPROVAL
0	03/28/12	DRAWING	R. CAZAREZ
1	05/29/13	DIM. RECTIFIED	R. CAZAREZ
2	05/21/13	APPROVED	R. CAZAREZ
3			
4			



NOTE: MAX. WARPAGE TOLERANCE 1/8

**PROPRIETARY AND CONFIDENTIAL**  
 THE INFORMATION CONTAINED IN THIS DRAWING IS THE SOLE PROPERTY OF WOODCRAFTERS. ANY REPRODUCTION IN PART OR AS A WHOLE WITHOUT THE WRITTEN PERMISSION OF WOODCRAFTERS IS PROHIBITED.

UNLESS OTHERWISE SPECIFIED  
 DIMENSIONS ARE IN MM. AND [INCHES]  
 TOLERANCES ARE  
 + 3.175 [0.125] - 3.175 [0.125]  
 SCALE: 1:6

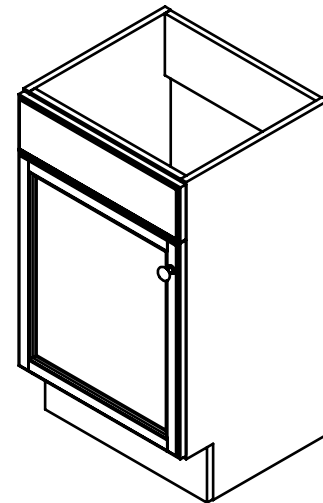
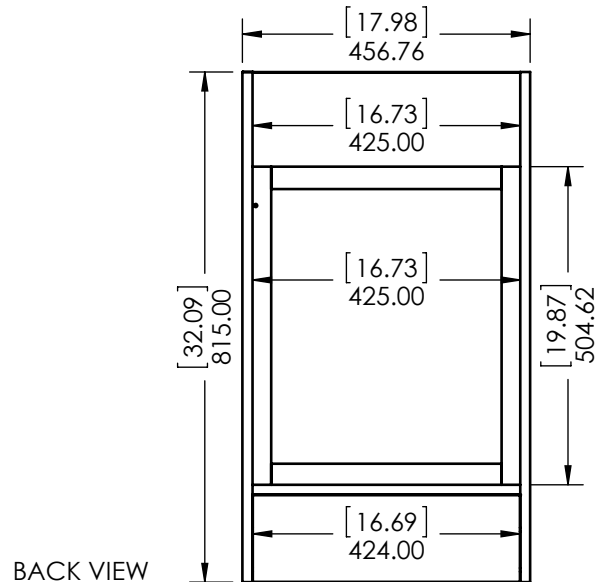
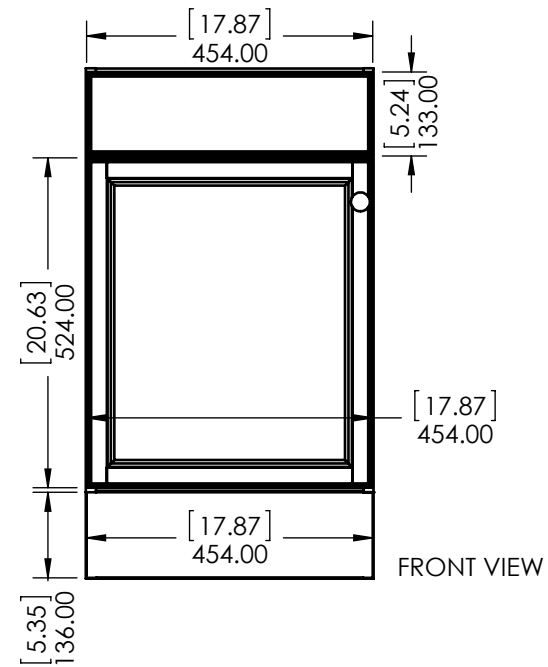
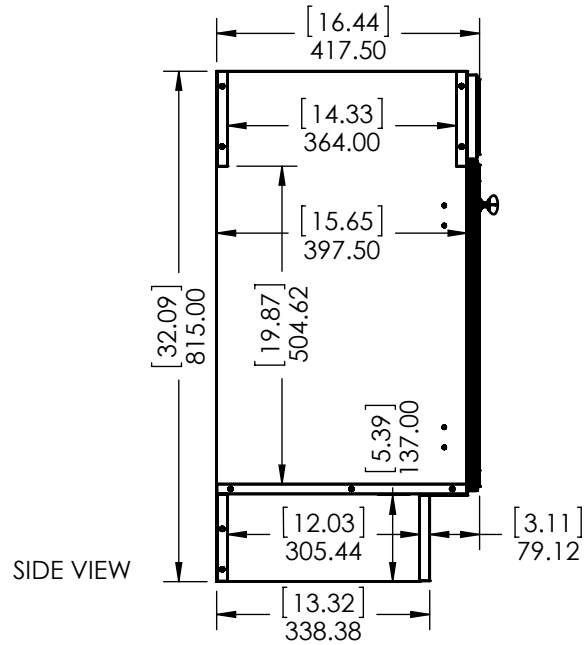
	NAME	DATE
DRAWN	ROY CAZAREZ	JAN/24/2013
CHECKED	E. SANDOVAL	MAY/21/2013
ENG APPR.	V. SANCHEZ	MAY/21/2013
MFG APPR.	C. LEAL	MAY/21/2013



SIZE DWG. NO. **A** SHEET 1 OF 1  
 NEW PORT - 19 X 17 - FINISH GOOD

ITEM ID	DESCRIPTION
GB18P2-O	Glacier Bay 18x16 With VTop - Oak

REV	ECO#	DESCRIPTION	REV'D BY DATE	CHK'D BY DATE	APRV'D BY DATE
0		New Release	IASV 8/22/16	IASV 8/22/16	IASV 8/22/16



**PROPRIETARY AND CONFIDENTIAL**  
 THE INFORMATION CONTAINED IN THIS DRAWING IS THE SOLE PROPERTY OF WOODCRAFTERS HOME PRODUCTS L.L.C. ANY REPRODUCTION IN PART OR AS A WHOLE WITHOUT THE WRITTEN PERMISSION OF WOODCRAFTERS HOME PRODUCTS L.L.C. IS PROHIBITED.

UNLESS OTHERWISE SPECIFIED  
 DIMENSIONS ARE IN mm and [inches]  
 AND TOLERANCES ARE +/- 1.0 [0.04]

DRAWN BY:	IASV	8/22/16
CHECKED BY:	IASV	8/22/16
APPROVED BY:	IASV	8/22/16
DO NOT SCALE DRAWING	SCALE: 1:10	SIZE: A



TITLE:	<b>GLACIER BAY 18" ASSEMBLY</b>	
PART NO:	PAGE 1 OF 1	REV: 0