

Hinged Fence Starter Kit Lattice Panel

Starter Kit Instructions

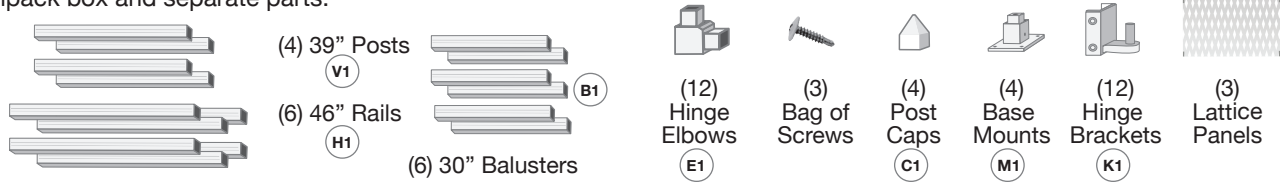
Part Number: HSK-3x13L



IF YOU CAN DREAM IT, YOU CAN BUILD IT.

Directions for constructing your SnapFence™ Starter Kit.

1) Unpack box and separate parts.

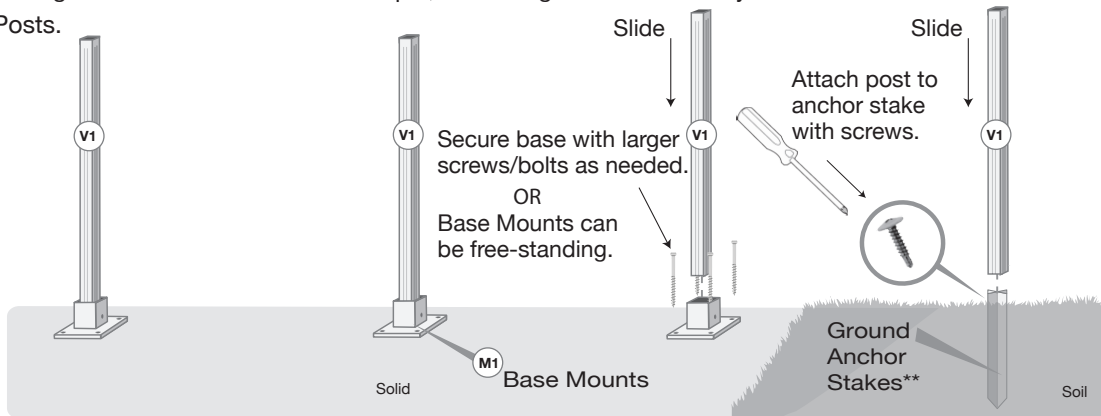


2) Install desired ground attachments in your determined locations.

• Typical attachments are shown, Ground Anchor Stakes** or Base Mounts (M1).

3) Install the Posts (V1) by sliding them onto the ground attachments and secure in place with screws. Secure with PVC glue if desired.

• If installing a 3' high fence as shown in the example, no cutting will be necessary if using 39" Posts.

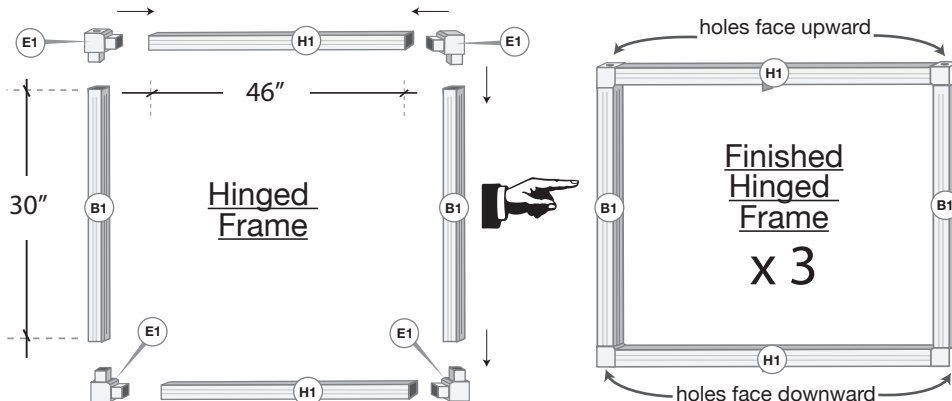


**Ground Anchor Stakes (sold separately.)

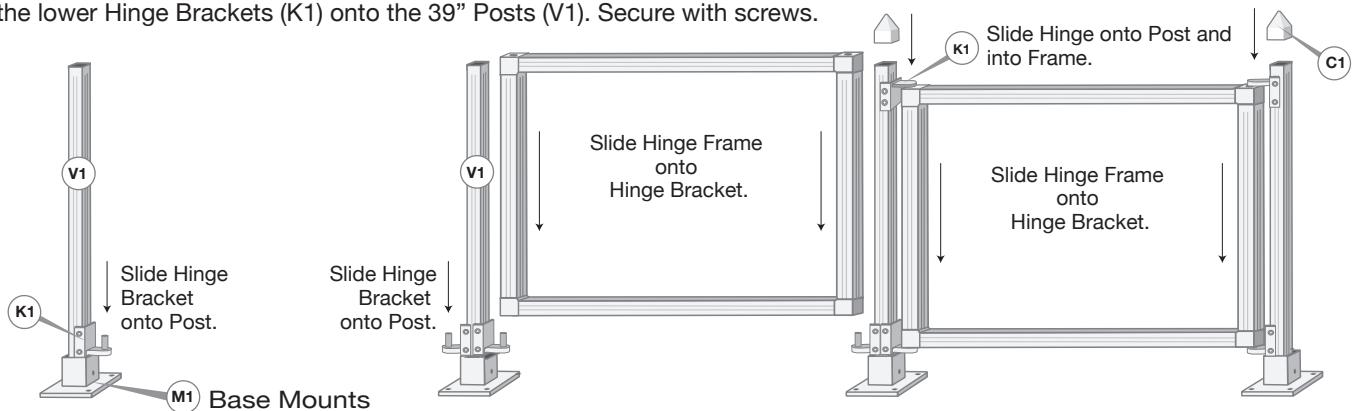
4) Build the Hinged Frame

Attach the Hinge Elbows (E1) to the 46" Rails (H1) for the horizontals as well as the 30" Balusters (B1) for the verticals of the frame.

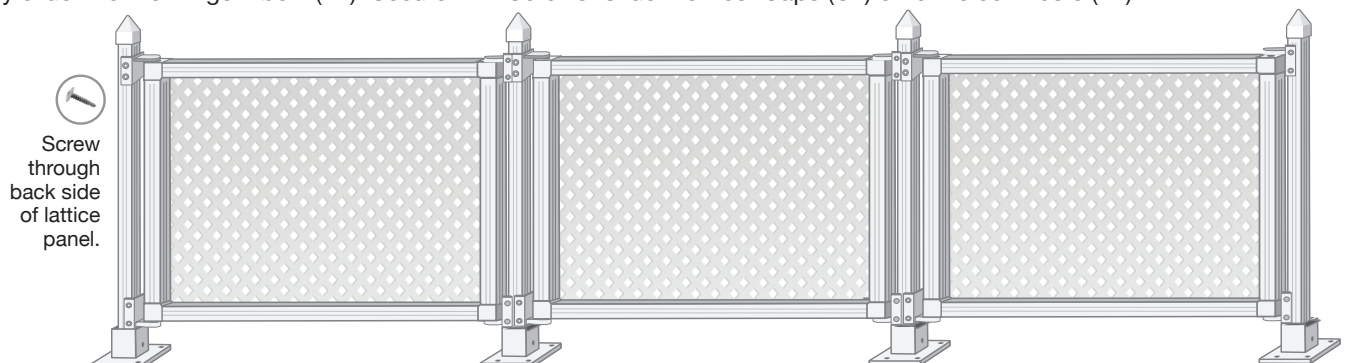
• Slide them into the Rails until they 'Snap' into place. You will want to give it a gentle tap to secure the tight fit. Build all your hinged frame sections before moving onto the next step. You should have (3) finished frames.



5) Slide the lower Hinge Brackets (K1) onto the 39" Posts (V1). Secure with screws.



• Slide the finished hinge frames onto the Hinge Bracket (K1) Pins. Slide the upper Hinge Bracket (K1) onto the post and let the pin gently slide into the Hinge Elbow (E1). Secure with Screws. Slide the Post Caps (C1) onto the 39" Posts (V1).



6) Finish with pre-cut Lattice SnapPanels.

Continue to add to your project with the SnapFence™ Extension Kit, (sold separately.)