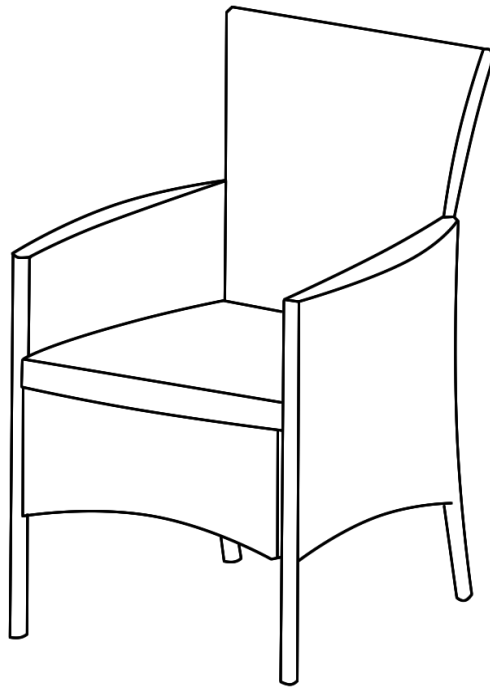





# Assembly Instructions

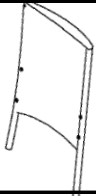
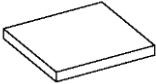
**Caution : You must read this before you proceed**

## Dinning Chair

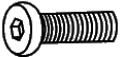




### Parts List

Label	Picture	Description	QTY
A		Backrest	1
B		Seat	1
C		Right Armrest / Leg	1

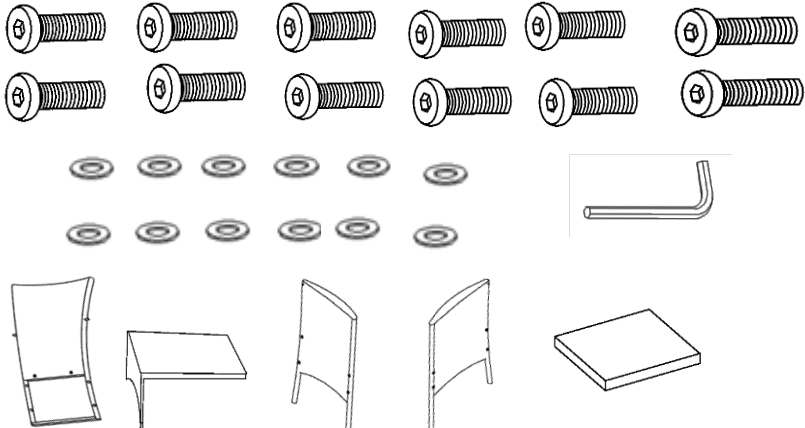
D		Left Armrest /Leg	1
E		Seat Cushion	1

## Hardware

Label	Picture	Description	QTY
F		Bolt(M6*35MM)	12
G		Washer	12
H		Allen Key	1

## Assembly Preparation

Before Beginning Assembly:




- Read instructions, cover to cover-



- Have 2 adults on hand for assembly-



- Do not assemble on flooring or carpet-



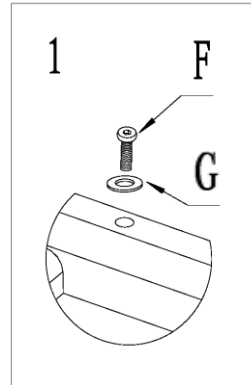
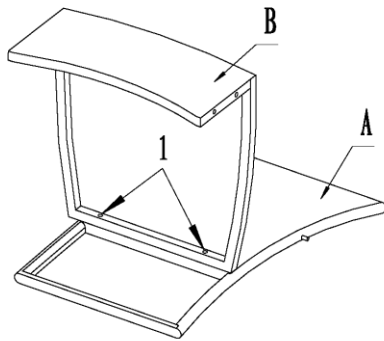
- Assemble on a clean non-marring surface (packing foam)-



- Save all packaging until finished-

## Assembly Steps

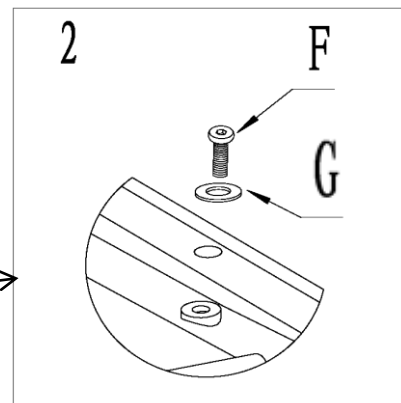
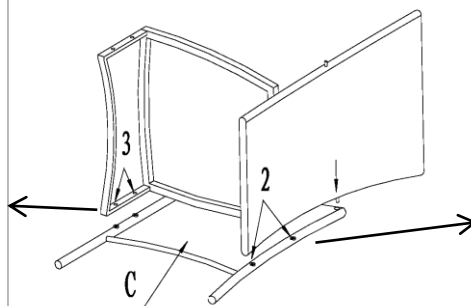
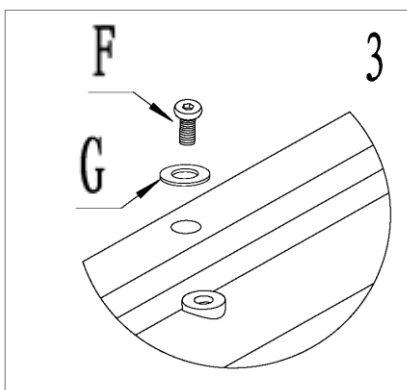
### Step 1



Open the carton and place all the parts onto a clean and soft surface.  
Unpack all packages of hardware.  
Place the Backrest (A) with its inside facing skywards.  
Attach Seat(B) to Backrest(A) using Hardware(H, G) with Allen Key(H).  
**LOOSELY TIGHTEN.**

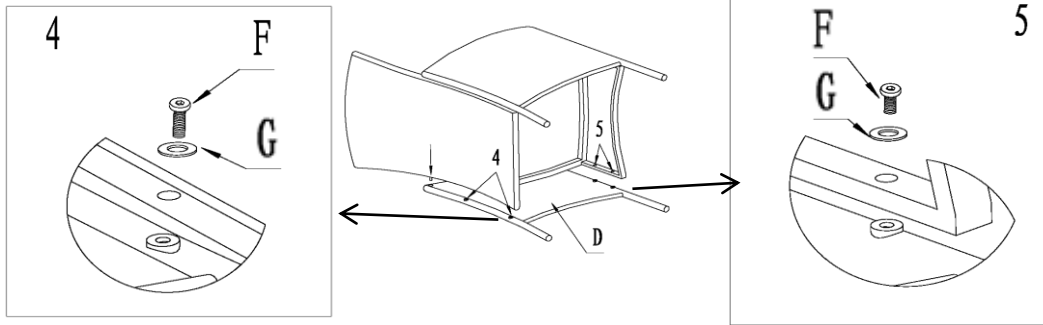
ATTENTION: Occasionally some of the PE Wicker shifts and covers the mounting positions preventing easy assembly.  
The PE wicker should never be cut, but moved away from the mounting positions.

### Step 2



Place the Right Armrest/Leg(C), as picture above so as to be attached to the Backrest (A) and Seat(B) using Hardware(F, G) with Allen Key(H).  
**LOOSELY TIGHTEN.**

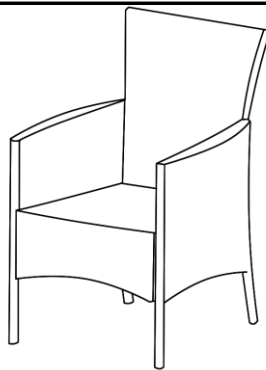
### Step 3



Place the Left Armrest/Leg (D) as pictured above and affix to Backrest (A) and Seat(B) using Hardware(F, G) with Allen Key(H) as shown in Picture 4 and Picture 5.

**LOOSELY TIGHTEN.**

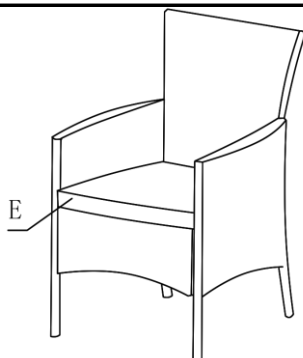
### Step 4



Stand CHAIR rightside up.  
Check stability and then tighten the bolts.

**Note: DO NOT fully tighten a BOLT in one go and then move on to the next. Rather, In a sequential manner, gradually tighten each Bolt until all bolts are evenly secured. This methodology will ensure maximum evenness once all Bolts are fully tightened.**

### Step 5



Put the Seat Cushion(E) on the Seat.  
Your Chair is ready for use.

## Care & Maintenance



- Do not put hot items directly on furniture surface.



- Do not clean furniture with harsh cleansers or polish.



- To obtain the longest lifespan of your outdoor products, minimizing exposure to direct sunlight is recommended.



- Children should not climb or jump on the furniture.



- Do not write on furniture without a padded barrier to protect the surface.



- To obtain the longest lifespan of your outdoor products, avoid extended and lengthy exposure to rain, snow, and direct sunshine. Whenever possible cover the product and /or place under patio or awnings.



- Not for commercial use. For residential use only .



- Stains may be removed with mild soap solution and damp cloth.



- Keep away from sources of ignition.

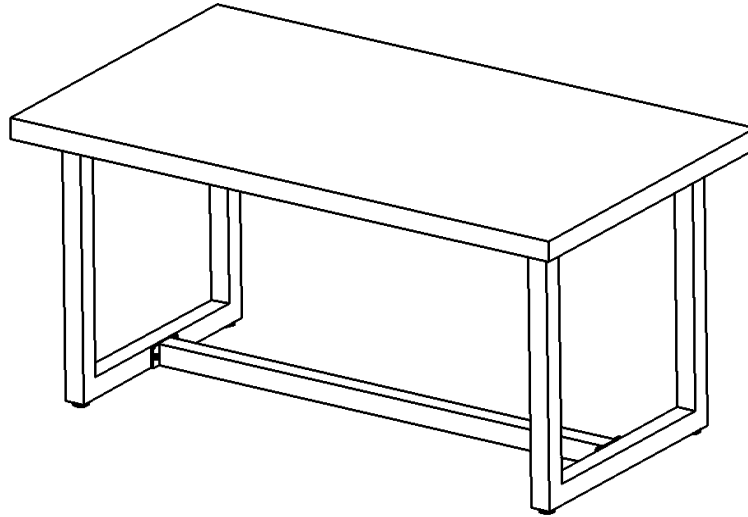


- Dust and pick-up spills using a clean, non-colored, lint-free cloth .




# Assembly Instructions

**Caution : You must read this before you proceed**


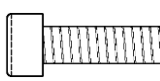

## Dining Table



### Parts List

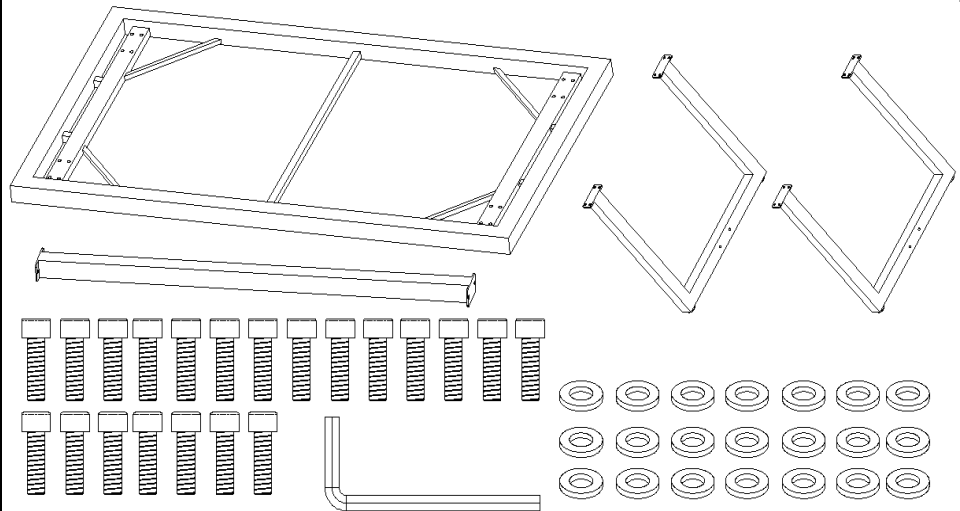
Label	Picture	Description	QTY
A		Table Top	1
B		Table Leg (with pre-installed levellers)	2
C		Leg Connector	1

### Hardware

Label	Picture	Description	QTY
①		Allen Key	1
②		Bolt (M6*20mm)	21
③		Washer Ring	21

# Assembly Preparation

Before Beginning Assembly:



- Read instructions, cover to cover-



- Have 2 adults on hand for assembly-



- Do not assemble on flooring or carpet-



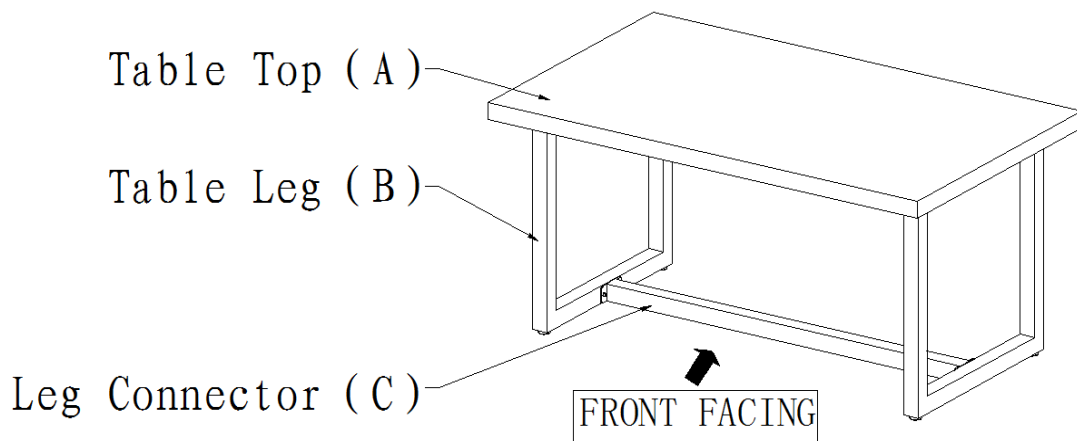
- Assemble on a clean non-marring surface (packing foam)-



- Save all packaging until finished-

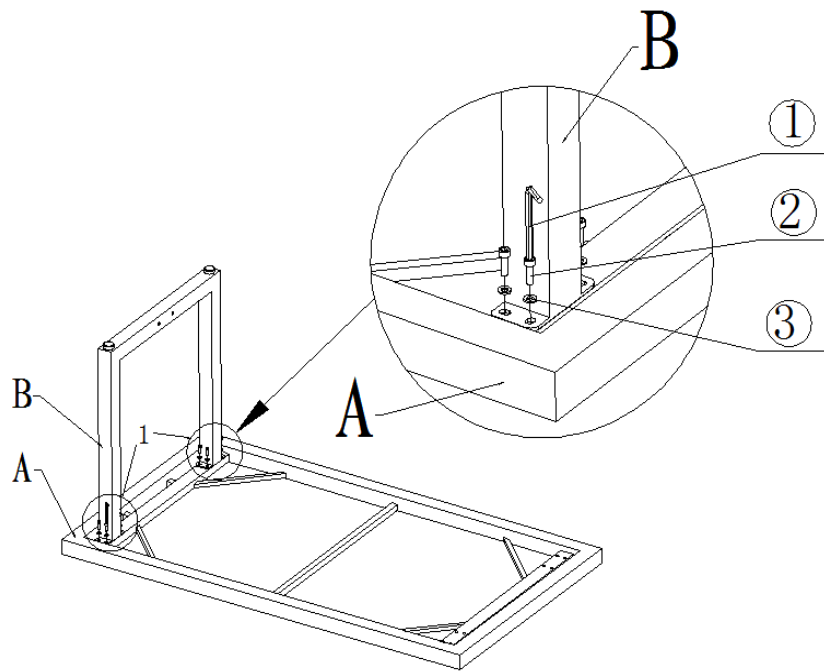
# Assembly Steps

## Overview



This Table has multiple parts and may require up to 30 minutes to assemble. To give you an overview of the Table parts, the above picture is to help you put the various parts into perspective. Please read through the instructions below to familiarise yourself with the parts and steps before assembly.

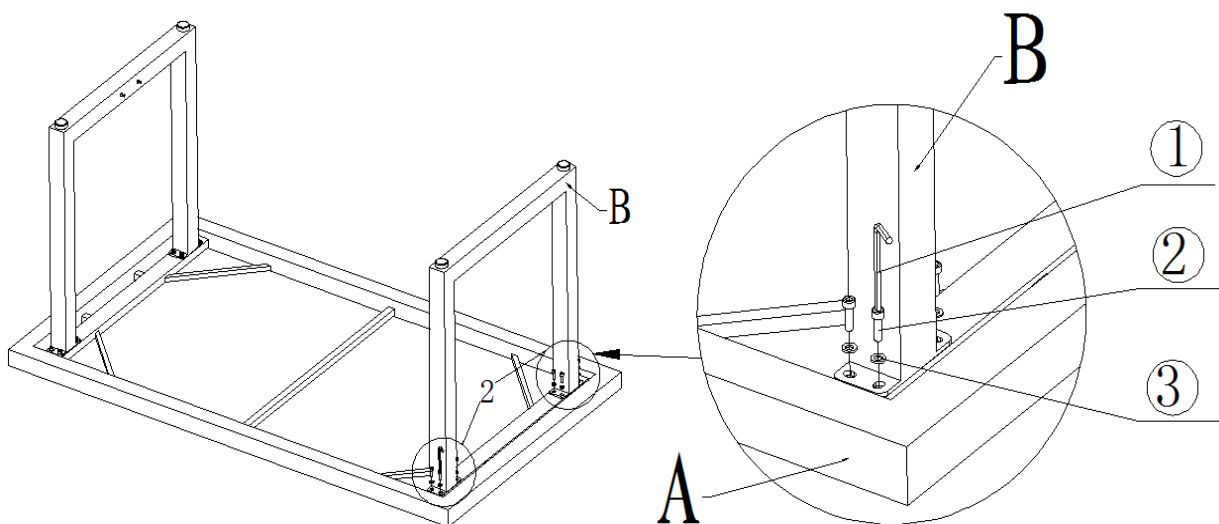
## Step 1



Position the Table Top(A) facedown on a clean, non-marring surface. Attach Table Leg(B) to Table Top(A) using Bolts(2) and Washers(3) with Allen Key(1).

**Do not fully tighten the Bolts.**

## Step 2

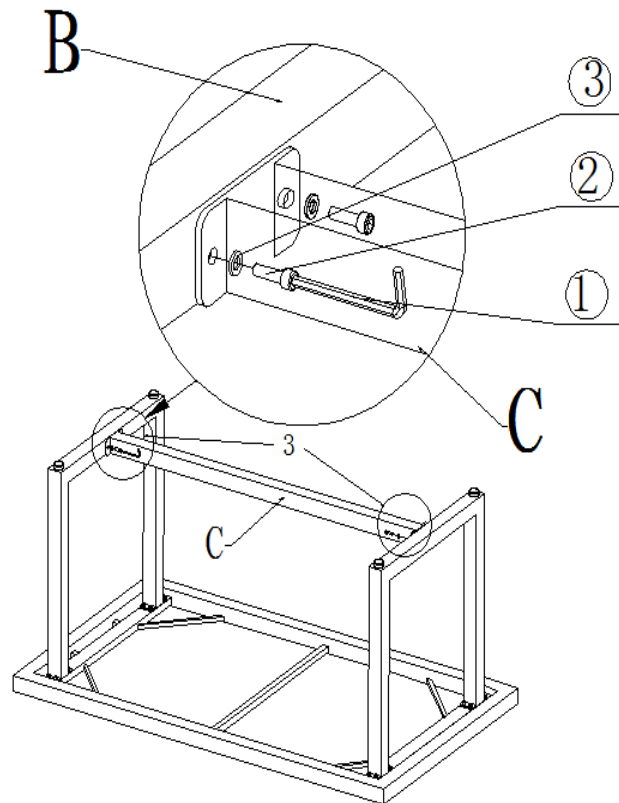


Attach the other Table Leg(B) to Table Top(A) using Bolts(2) and Washers(3) with Allen Key(1).

**Do not fully tighten the Bolts.**



### Step 3



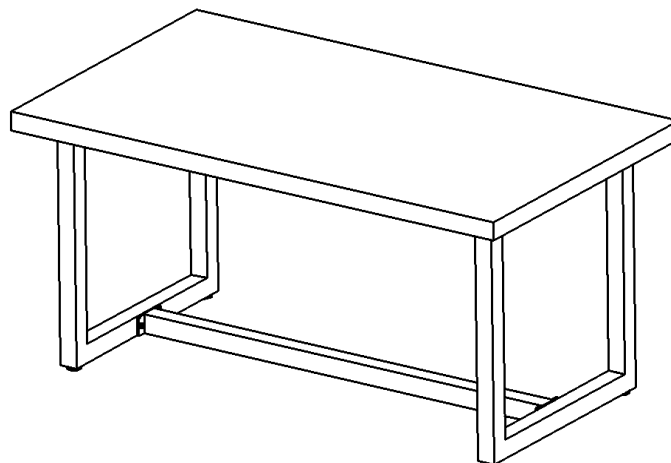
Insert the Leg Connector(C) between the Table Legs(B).

**You may need to apply a little pressure to the Legs - pushing outwards, to enable the Leg Connector(C) to be slotted into position.**

Attach Leg Connector(C) to Table Legs(B) using Bolts(②) and Washers(③) with Allen Key(①), as shown above.

**Do not fully tighten the Bolts.**

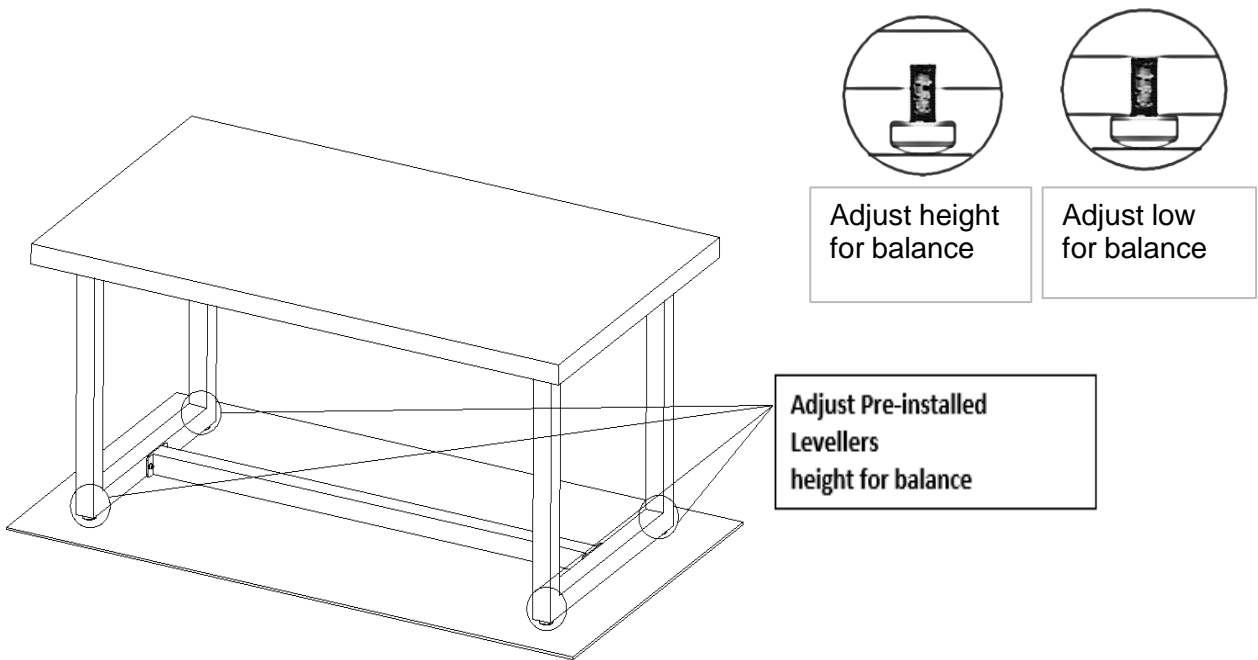
### Step 4



Inspect the Table and make sure all parts are adequately connected.

**Now, tighten all Bolts at all joints fully in a sequential manner.**

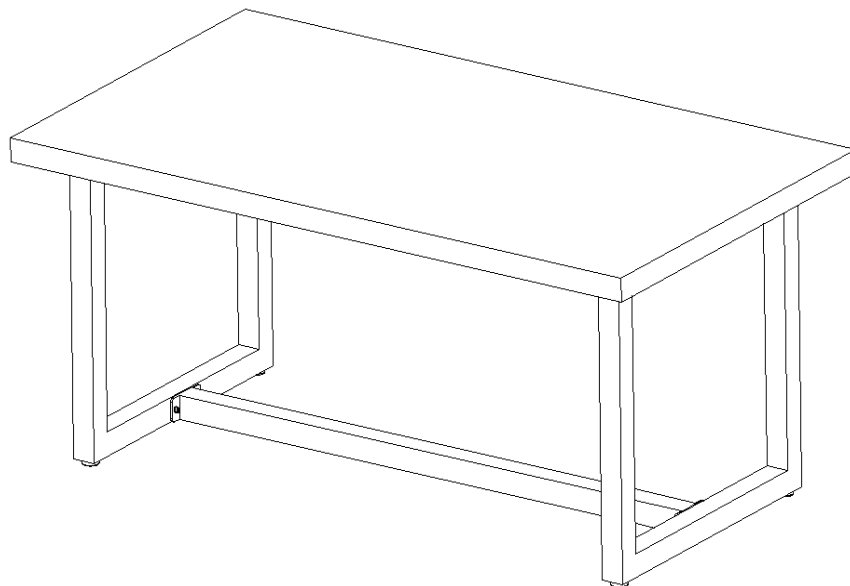
## Step 5



Place the Table on a level surface.

Adjust the Legs pre-installed Levellers until the Table is level with the ground.





















## Step 6



Your Table is ready for use.

**This Table can only be used on a flat, level surface.**

## Care & Maintenance

-   Do not put hot items directly on furniture surface.
  -   Do not clean furniture with harsh cleansers or polish.
  -   To obtain the longest lifespan of your outdoor products, minimizing exposure to direct sunlight is recommended.
  -   Children should not climb or jump on the furniture.
  -   Do not write on furniture without a padded barrier to protect the surface.
  -   To obtain the longest lifespan of your outdoor products, avoid extended and lengthy exposure to rain, snow, and direct sunshine. Whenever possible cover the product and /or place under patio or awnings.
  -   Not for commercial use. For residential use only .
  -   Stains may be removed with mild soap solution and damp cloth.
  -   Keep away from sources of ignition.
- 
-   Dust and pick-up spills using a clean, non-colored, lint-free cloth .

## Questions & Answers about Proposition 65

### • What is Proposition 65?

Proposition 65 requires businesses to provide warnings to Californians about significant exposures to chemicals that cause cancer, birth defects or other reproductive harm. These chemicals can be in the products that Californians purchase, in their homes or workplaces, or that are released into the environment. By requiring that this information be provided, Proposition 65 enables Californians to make informed decisions about their exposures to these chemicals. Proposition 65 also prohibits California businesses from knowingly discharging significant amounts of listed chemicals into sources of drinking water.

Proposition 65 requires California to publish a list of chemicals known to cause cancer, birth defects or other reproductive harm. This list, which must be updated at least once a year, has grown to include approximately 900 chemicals since it was first published in 1987.

### • What types of chemicals are on the Proposition 65 list?

The list contains a wide range of naturally occurring and synthetic chemicals that include additives or ingredients in pesticides, common household products, food, drugs, dyes, or solvents. Listed chemicals may also be used in manufacturing and construction, or they may be byproducts of chemical processes, such as motor vehicle exhaust.

### • What does a warning mean?

If a warning is placed on a product label or posted or distributed at a workplace, a business, or in rental housing, the business issuing the warning is aware or believes that it is exposing individuals to one or more listed chemicals.

By law, a warning must be given for listed chemicals unless the exposure is low enough to pose no significant risk of cancer or is significantly below levels observed to cause birth defects or other reproductive harm.

### • Where can I get more information on Proposition 65?

If you have specific questions on the administration or implementation of Proposition 65, you can contact OEHHA's Proposition 65 program at [P65.Questions@oehha.ca.gov](mailto:P65.Questions@oehha.ca.gov), or by phone at (916) 445-6900.