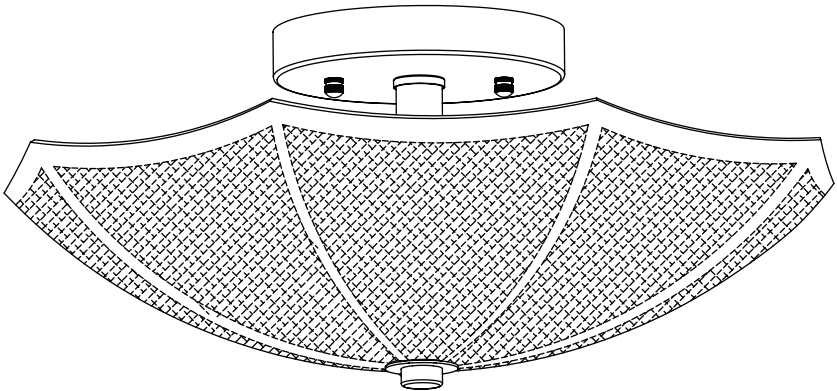




Item #1001 220 173
Model #27195-HBU

USE AND CARE GUIDE

14" SEMI-FLUSHMOUNT



Questions, problems, missing parts? Before returning to the store,
call Hampton Bay Customer Service
8 a.m. - 7 p.m., EST, Monday-Friday, 9 a.m. - 6 p.m., EST, Saturday

1-855-HD-HAMPTON

HAMPTONBAY.COM

THANK YOU

We appreciate the trust and confidence you have placed in Hampton Bay through the purchase of this 14" semi-flushmount. We strive to continually create quality products designed to enhance your home. Visit us online to see our full line of products available for your home improvement needs. Thank you for choosing Hampton Bay!

Table of Contents


Table of Contents.....	2	Hardware Included.....	3
Safety Information.....	2	Package Contents.....	4
Warranty.....	2	Installation.....	5
Pre-Installation.....	3	Care & Cleaning.....	7
Planning Installation	3	Troubleshooting.....	7
Tools Required.....	3		

Safety Information

- Read all instructions before assembling and installing.
- Consult a qualified electrician for installation of this fixture.
- If you have any non-electrical questions about this fixture, please contact our Customer Service Team at 1-855-HD-HAMPTON or visit www.hamptonbay.com.
- Please reference your SKU 1001 220 173 or (UPC 773546250481).
- Keep your receipt and these instructions for proof of purchase.

 **CAUTION:** Before starting installation of this fixture or removal of a previous fixture, disconnect the power by turning off the circuit breaker or by removing the fuse at the fuse box.

 **IMPORTANT:** Do not install this lighting system in damp or wet locations.

 **IMPORTANT:** Inspect the wire insulation for any cuts, abrasions, or exposed copper that have occurred during shipping. If there is a defect in the wire, do not continue the assembly process. Please call our Customer Service Team at 1-855-HD-HAMPTON.

Warranty

LIMITED WARRANTY

WHAT IS COVERED

The manufacturer warrants this lighting fixture to be free from defects in materials and workmanship for a period of five (5) years from date of purchase. This warranty applies only to the original consumer purchaser and only to products used in normal use and service. If this product is found to be defective, the manufacturer's only obligation, and your exclusive remedy, is the repair or replacement of the product at the manufacturer's discretion, provided that the product has not been damaged through misuse, abuse, accident, modification, alteration, neglect, or mishandling.

WHAT IS NOT COVERED

This warranty shall not apply to any product that is found to have been improperly installed, set-up, or used in any way not in accordance with the instructions supplied with the product. This warranty shall not apply to a failure of the product as a result of an accident, misuse, abuse, negligence, alteration, faulty installation, or any other failure not relating to faulty material or workmanship. This warranty shall not apply to the finish on any portion of the product, such as surface and/or weathering, as this is considered normal wear and tear. The manufacturer does not warrant and specially disclaims any warranty, whether express or implied, of fitness for a particular purpose, other than the warranty contained herein. The manufacturer specifically disclaims any liability and shall not be liable for any consequential or incidental loss or damage, including but not limited to any labor/expense costs involved in the replacement or repair of said product.

Contact Customer Care at 1-855-HD-HAMPTON or visit www.hamptonbay.com.

Pre-Installation

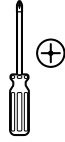
PLANNING INSTALLATION

Read all instructions before assembly and installation. To avoid damaging this product, assemble it on a soft, non-abrasive surface, such as carpet or cardboard. Inspect each part for defects that may have occurred during shipping. Keep your receipt and these instructions for proof of purchase.

TOOLS REQUIRED



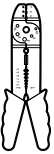
Safety goggles



Phillips screwdriver



Flathead screwdriver



Wire strippers



Wire cutters

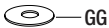
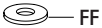


Ladder

HARDWARE INCLUDED



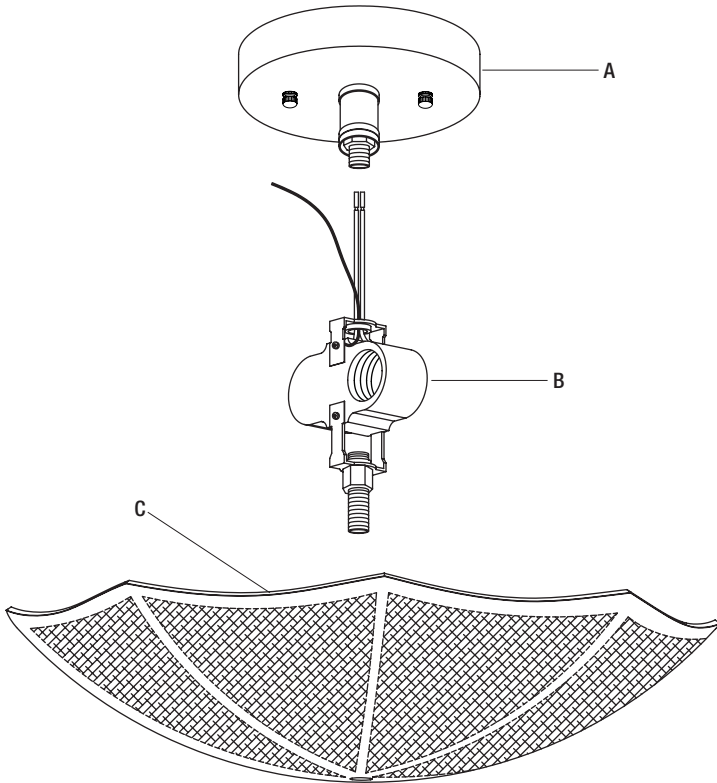
NOTE: Hardware not shown to actual size.



Part	Description	Quantity
AA	Wire nut	3
BB	Outlet box screw	2
CC	Ground screw	1
DD	Mounting screw	2
EE	Crossbar	1
FF	Silicon washer	2
GG	Metal washer	2
HH	Finial	1
II	Ball nut	2

Pre-Installation (continued)

PACKAGE CONTENTS



Part	Description	Quantity
A	Canopy	1
B	Fixture body	1
C	Glass shade	1

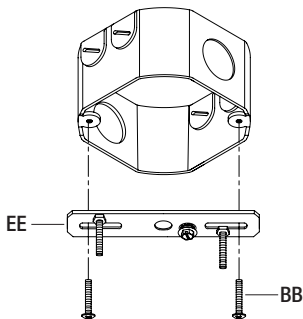
Installation

1 Installing the crossbar



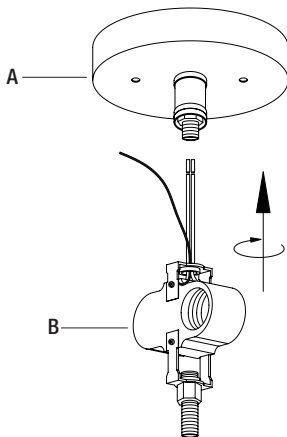
WARNING: Turn off power at the main fuse box.

- Carefully unpack the fixture. Lay out all the parts on a clean surface.
- Install the crossbar (EE) to the junction box (not included) with the two outlet box screws (BB). Make sure black and white wires of the junction box run through the middle opening of the crossbar (EE).



2 Installing the canopy

- Install the canopy (A) onto the fixture body (B). Make sure black and white wires of the fixture body run through the middle opening of the canopy (A).

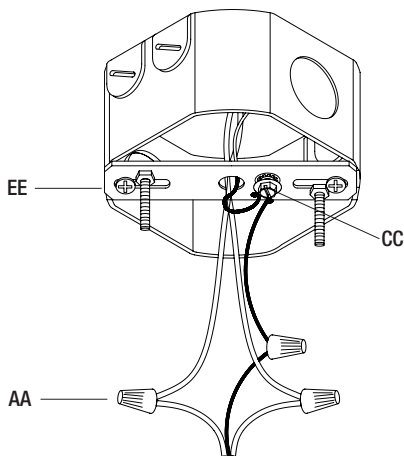
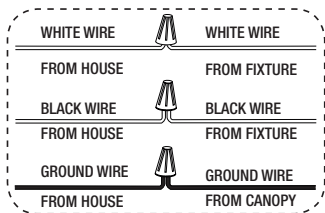


3 Making the electrical connections



NOTE: Always use the wire nuts (AA) to connect wires and push all excess wires and connections back into the junction box (not included).

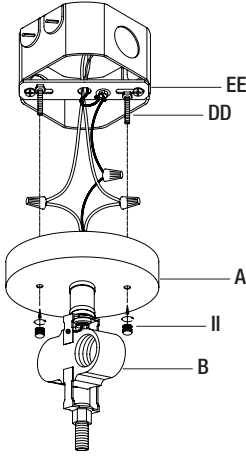
- Fasten the open end of the ground wire (bare copper or green wire) to the ground wire from the junction box or the ground screw (CC) on the crossbar (EE).
- Connect the black wire of the power supply to the black wire of the fixture and connect the white wire of the power supply to the white wire of the fixture.



Installation (continued)

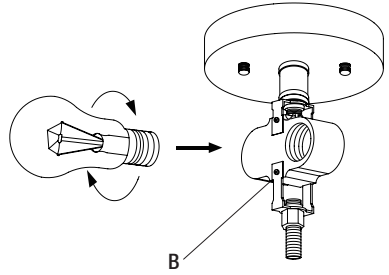
4 Installing the fixture body

- Install the canopy (A) of the fixture body (B) over the crossbar (EE) and tighten the two ball nuts (II) to the mounting screws (DD).



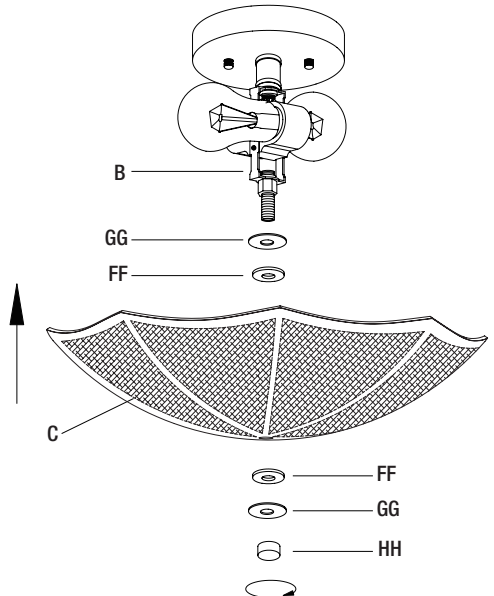
5 Installing the bulbs

- Install 60W max. A19 bulbs (not included) to each socket of the fixture body (B).



6 Installing the glass shade

- Referring to the line drawing, place one metal washer (GG) and one silicon washer (FF) onto the bottom nipple of the fixture body (B). Then secure the glass shade (C) with the other silicon washer (FF) and the other metal washer (GG) by threading the bottom finial (HH). Do not overtighten!



Care and Cleaning

- Clean the light fixture carefully with a soft, dry cloth. Do not use any cleaners with chemicals, solvents, or harsh abrasives.

Troubleshooting

Problem	Possible Cause	Solution
□ The bulb will not light.	□ The bulb is burned out.	□ Replace the light bulb.
	□ The power is off.	□ Ensure that the power supply is turned on.
	□ The circuit breaker is off.	□ Ensure that the circuit breaker is set to the ON position.
□ The fuse blows or the circuit breaker trips when the light is turned on.	□ There are too many items on one circuit.	□ Unplug the other items on the circuit. □ Contact a qualified electrician or call the Customer Service Team at 1-855-HD-HAMPTON.



Questions, problems, missing parts? Before returning to the store,
call Hampton Bay Customer Service
8 a.m. - 7 p.m., EST, Monday-Friday, 9 a.m. - 6 p.m., EST, Saturday

1-855-HD-HAMPTON

HAMPTONBAY.COM

Retain this manual for future use.