

Home Decorators

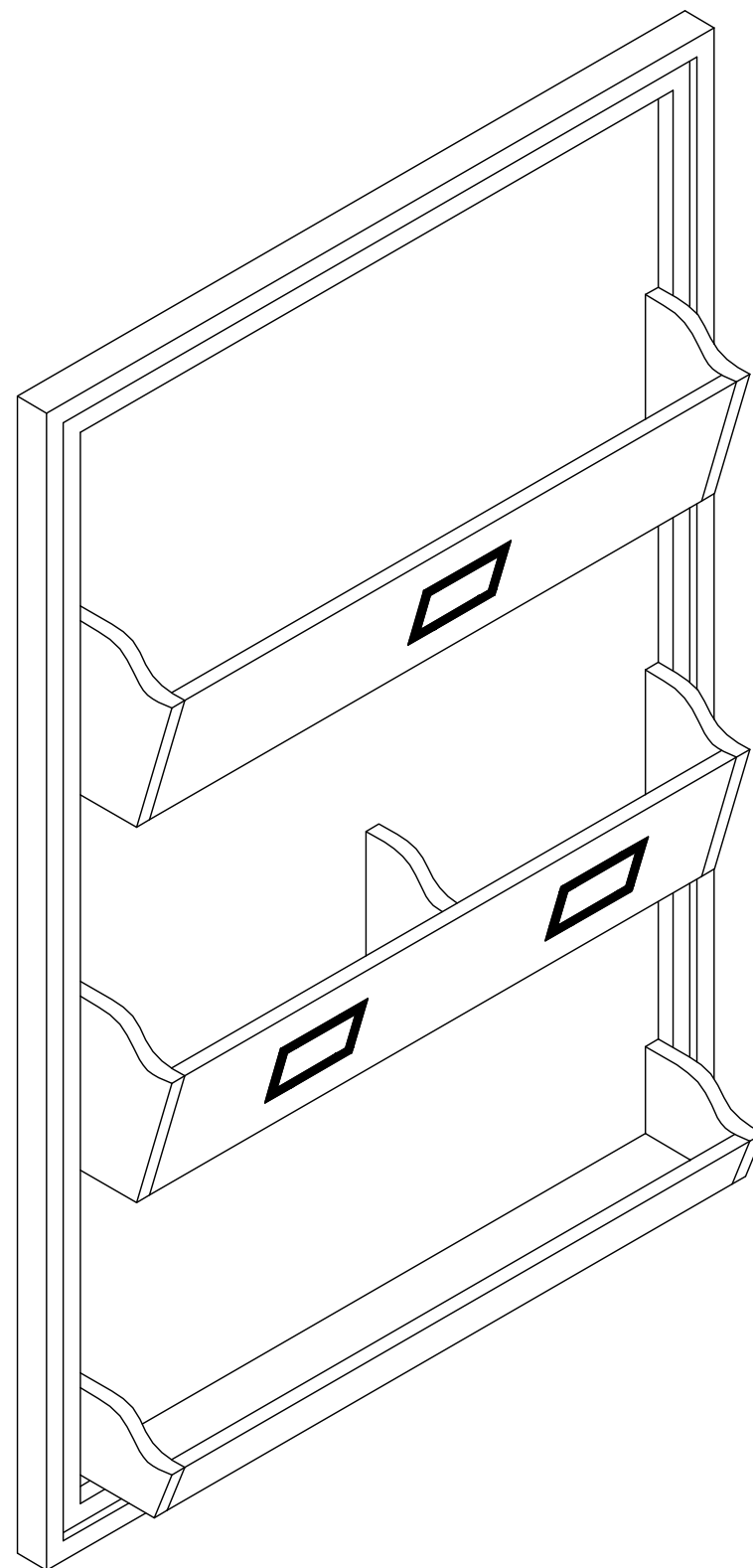
Collection

HDC# 08280 MFG# TW-17560WE / TW-17560EO
NATHAN WALL MAGAZINE RACK 27"Hx18"Wx4"D

ASSEMBLY INSTRUCTIONS

Note: Before assembly, please be sure to work on a soft, flat surface to avoid any damage to the finish.

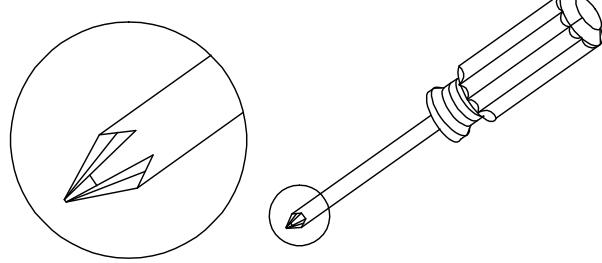
Made In China



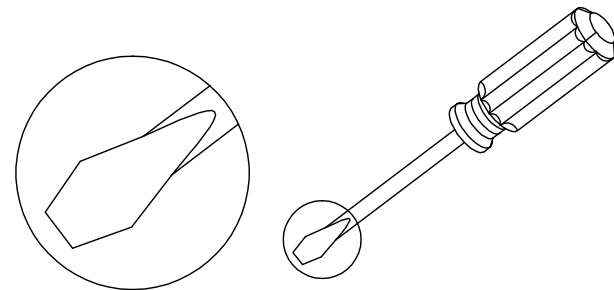
BEFORE ASSEMBLY

IMPORTANT NOTE: READ CAREFULLY BEFORE ASSEMBLY TO PREVENT DAMAGE TO PARTS. Following instruction listed below in the proper sequence as numbered to assure fast, easy and correct assembly.

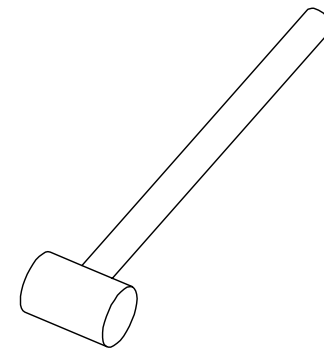
ASSEMBLY TOOLS REQUIRED



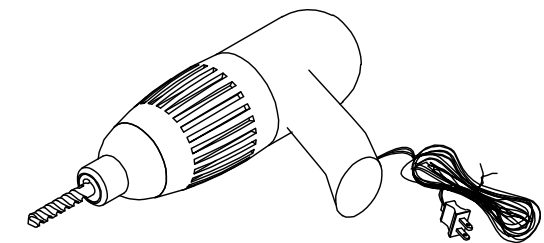
"+"Screw driver



"-"Screw driver



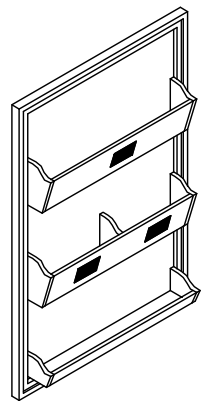
Rubber Mallet



Electric drill

PARTS LIST

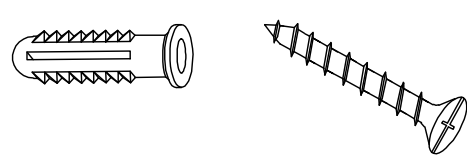
MAGAZINE RACK 1PC



A

HARDWARE LIST

GECKO
FLAT HEAD SCREW
2 SETS



(1)

USE ELECTRIC DRILL TO DRILL 2 SMALL HOLES ON THE DESIRED LOCATION OF THE WALL. INSERT THE 2 GECKOS INTO THE HOLES BY RUBBER Mallet. INSERT 2 FLAT HEAD SCREWS INTO 2 GECKOS AND THEN HANG UP THE MAGAZINE RACK ON THE WALL AS SHOWN.

